



US00D454934S

(12) **United States Design Patent**
Evans

(10) **Patent No.:** **US D454,934 S**

(45) **Date of Patent:** **** Mar. 26, 2002**

(54) **SWIM FIN HAVING SHORTENED DISTAL PORTION**

D449,667 S * 10/2001 Evans D21/806

* cited by examiner

(76) **Inventor:** **Robert B. Evans**, 715 Kimball Ave.,
Santa Barbara, CA (US) 93103

Primary Examiner—Kay H. Chin

(74) *Attorney, Agent, or Firm*—Cislo & Thomas LLP

(**) **Term:** **14 Years**

(57) **CLAIM**

(21) **Appl. No.:** **29/147,014**

The ornamental design for a swim fin having shortened distal portion, as shown and described.

(22) **Filed:** **Aug. 20, 2001**

DESCRIPTION

(51) **LOC (7) Cl.** **21-01**

(52) **U.S. Cl.** **D21/806**

(58) **Field of Search** D14/801, 803,
D14/804, 806; 441/61-64

FIG. 1 . Is a top front perspective view of my swim fin having shortened distal portion with the phantom line showing being for illustrative purposes only;

FIG. 2 . Is a right side elevational view thereof, the left side elevational view being a mirror image that shown;

FIG. 3 . Is a front elevational view thereof;

FIG. 4 . Is a rear elevational view thereof; and,

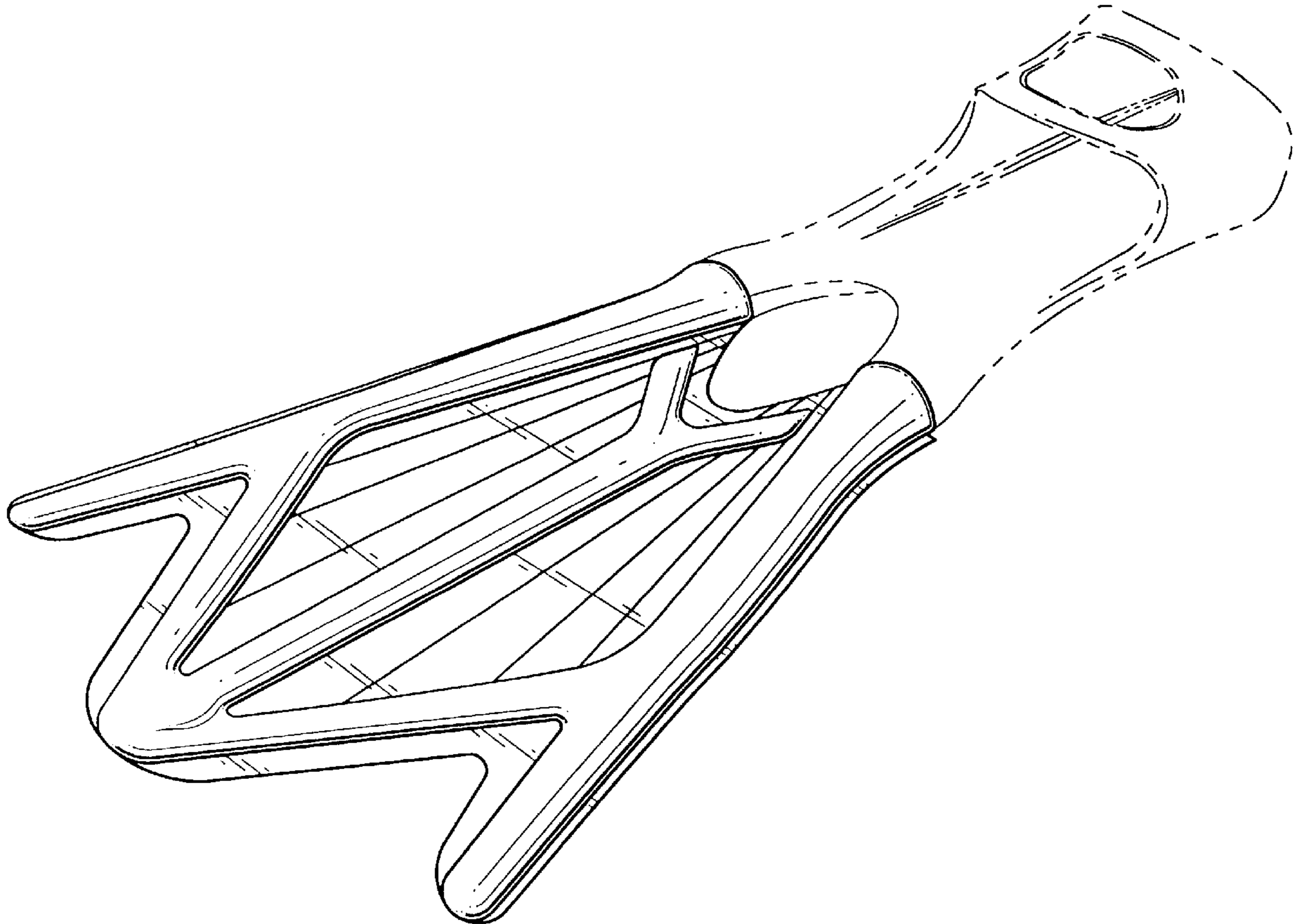
FIG. 5 . Is a top plan view thereof, the bottom plan view being a mirror image that shown.

(56) **References Cited**

U.S. PATENT DOCUMENTS

D426,865 S * 6/2000 Evans D21/806
D430,637 S * 9/2000 Evans D21/806
D440,272 S * 4/2001 Evans D21/806

1 Claim, 2 Drawing Sheets



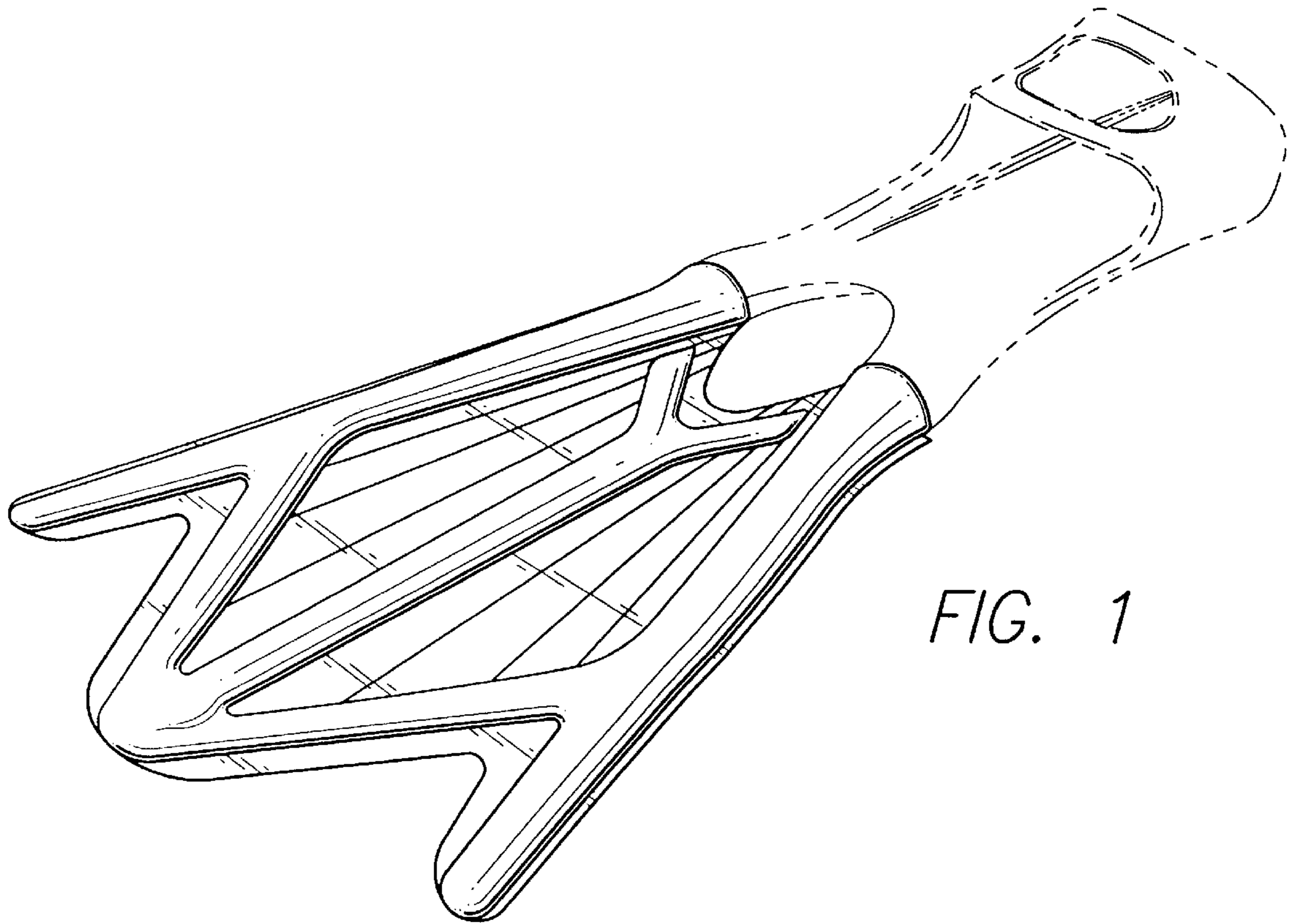


FIG. 1

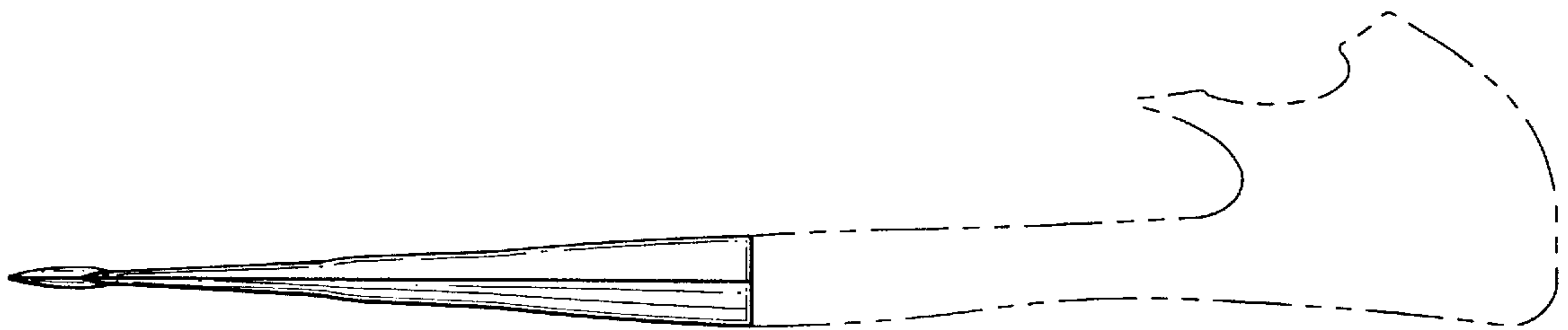


FIG. 2

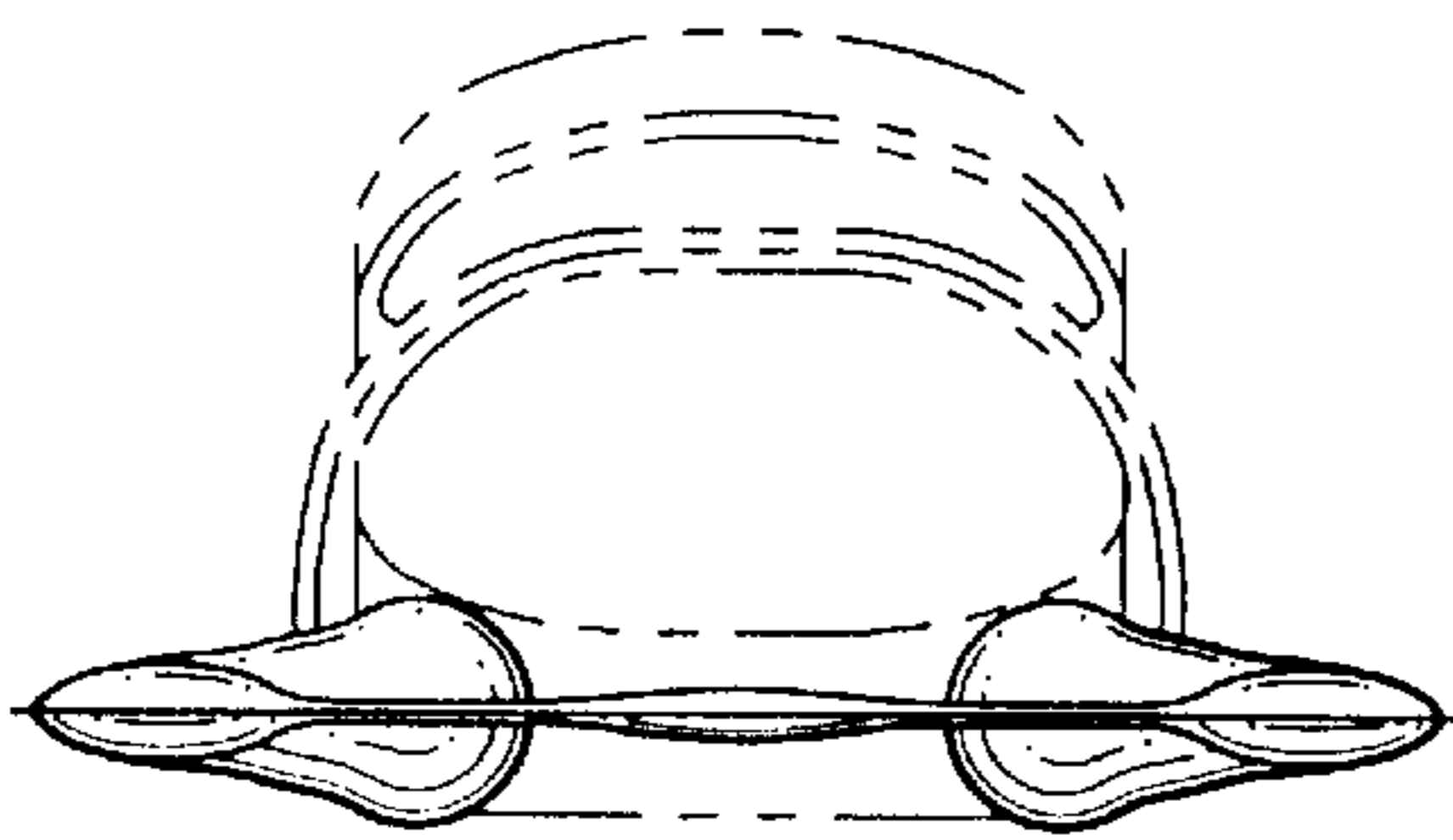


FIG. 3

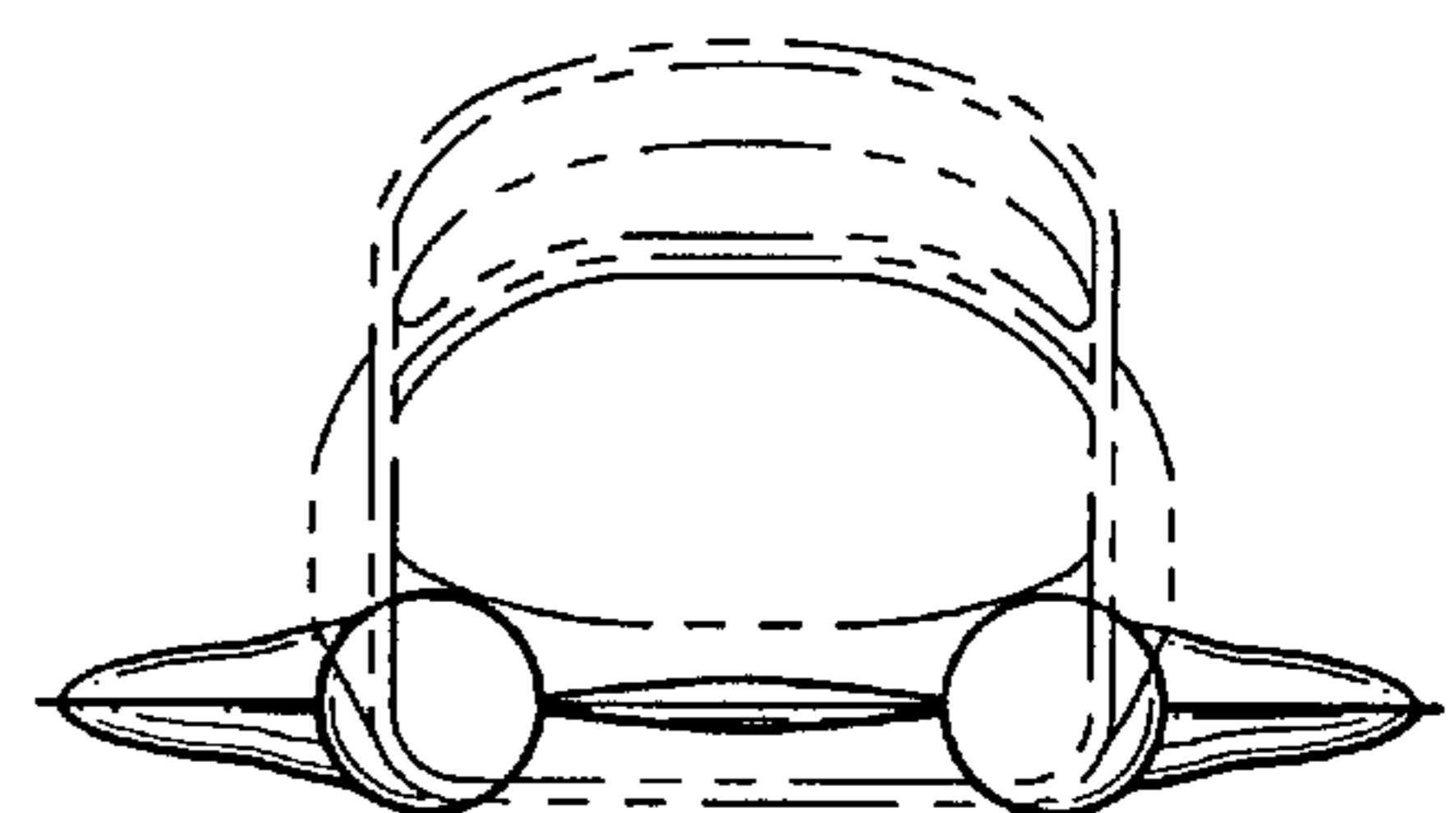


FIG. 4

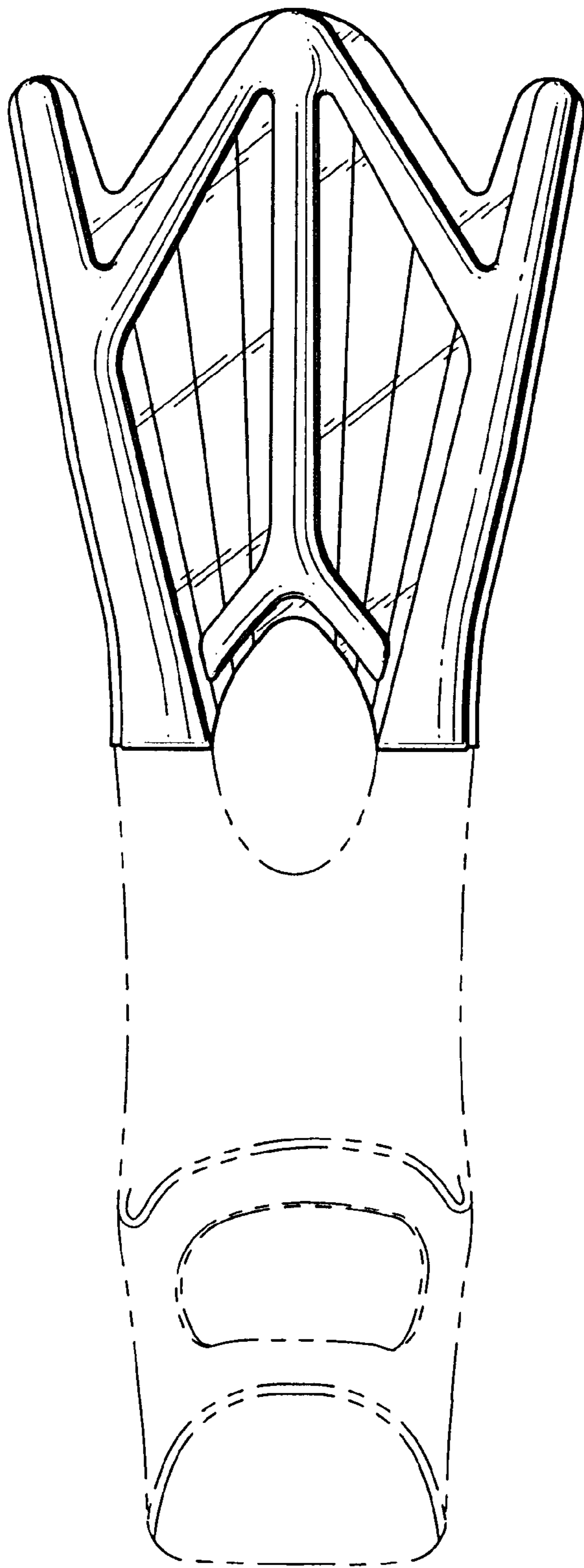


FIG. 5