



US00D454933S

(12) **United States Design Patent**  
**Shenoha**

(10) **Patent No.:** **US D454,933 S**

(45) **Date of Patent:** **\*\* Mar. 26, 2002**

(54) **BENT SHAFT PUTTER**  
(75) Inventor: **James L. Shenoha**, Lockport, IL (US)  
(73) Assignee: **Toor Edge Golf Manufacturing Company**, St. Charles, IL (US)  
(\*\*) Term: **14 Years**

5,454,564 A 10/1995 Kronogard  
5,544,879 A 8/1996 Collins  
5,630,766 A 5/1997 Granelli  
5,709,613 A 1/1998 Sheraw  
D394,292 S \* 5/1998 Bankhead ..... D21/745  
5,755,625 A 5/1998 Jackson  
5,759,114 A 6/1998 Bluto et al.  
5,782,705 A 7/1998 Solari  
D401,991 S 12/1998 Collins

(21) Appl. No.: **29/129,987**  
(22) Filed: **Sep. 25, 2000**  
(51) **LOC (7) Cl.** ..... **21-02**  
(52) **U.S. Cl.** ..... **D21/757**  
(58) **Field of Search** ..... D21/736-746,  
D21/757; 473/316-323

**OTHER PUBLICATIONS**

Tour Edge TI-ZONE Brochure.

\* cited by examiner

*Primary Examiner*—Mitchell Siegel

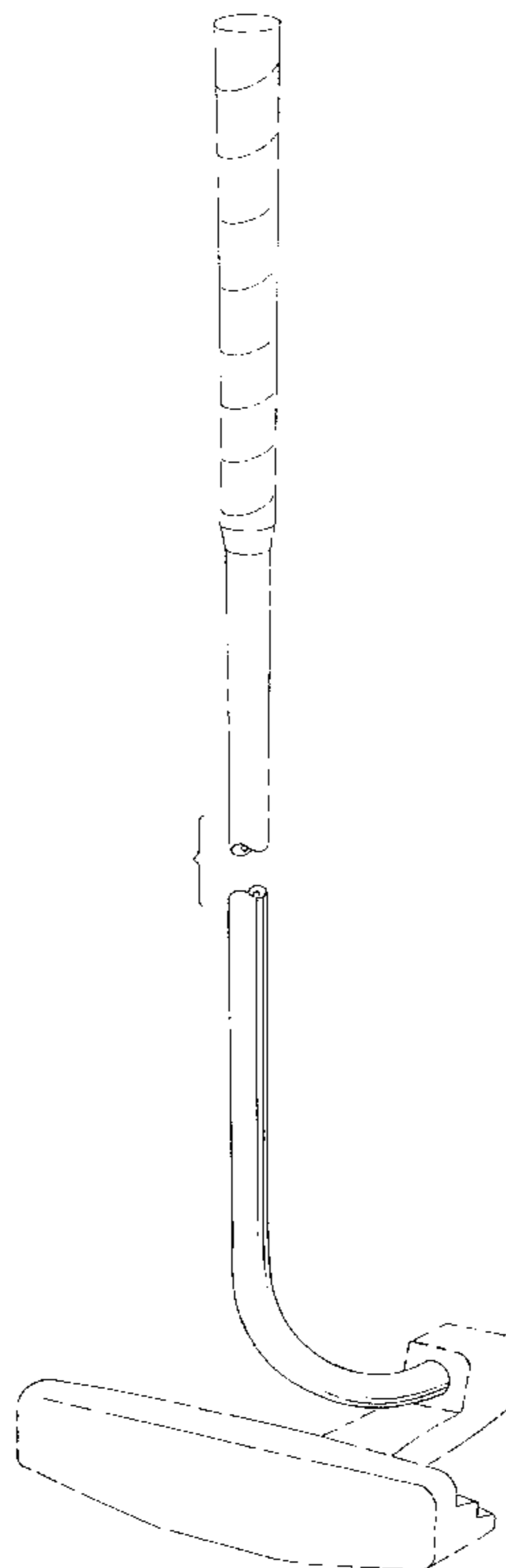
(74) *Attorney, Agent, or Firm*—Bell, Boyd & Lloyd LLC

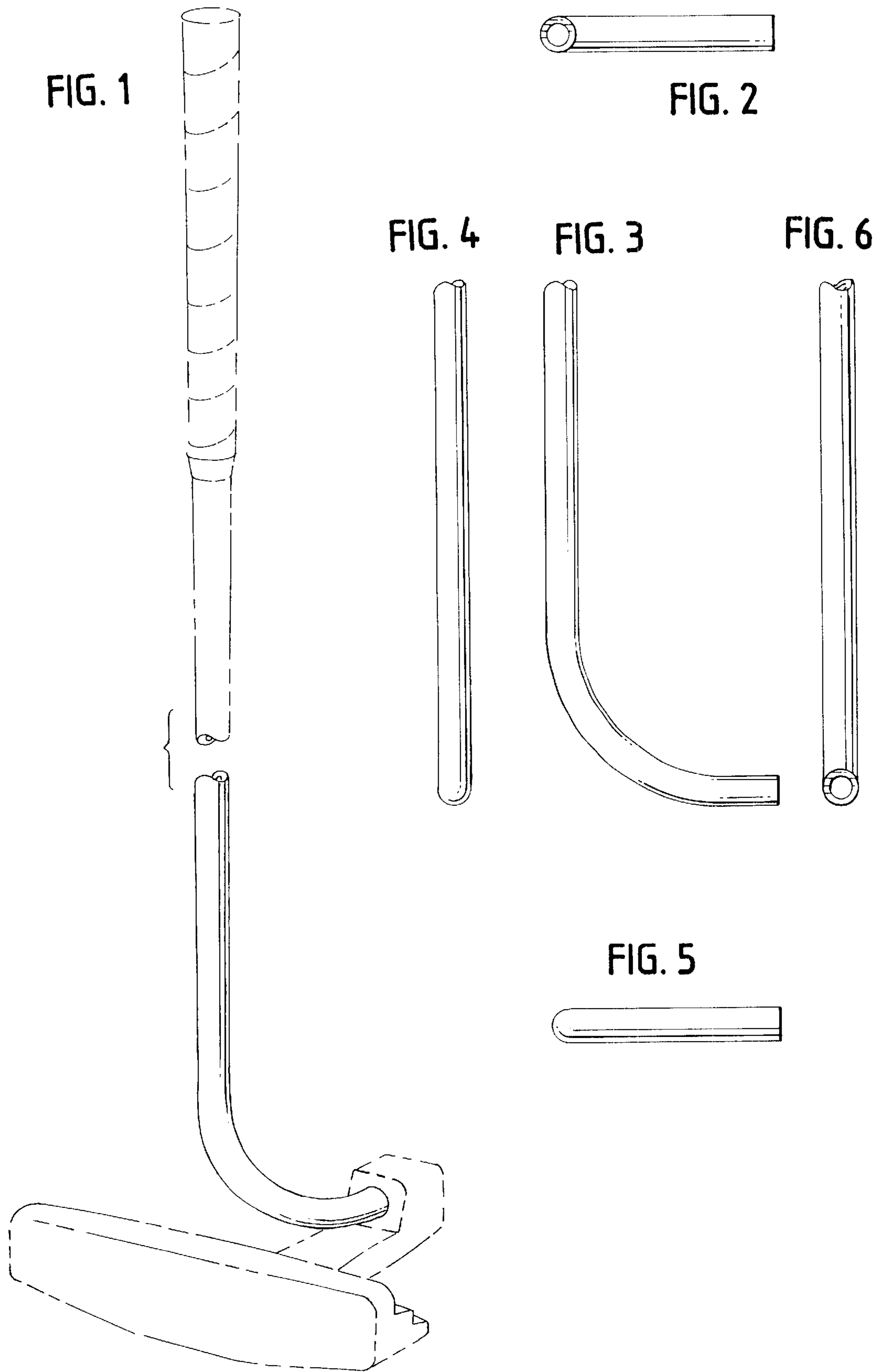
(56) **References Cited**  
**U.S. PATENT DOCUMENTS**  
2,478,468 A \* 9/1949 Drake ..... 473/313  
D228,930 S 10/1973 Leigh  
D230,750 S 3/1974 Ehrich  
3,815,910 A 6/1974 Raines  
3,989,257 A \* 11/1976 Barr ..... 473/251  
4,163,554 A 8/1979 Bernhardt  
D264,366 S \* 5/1982 Roskopf et al. .... D21/741  
D271,604 S 11/1983 Stone et al.  
4,927,144 A 5/1990 Stormon  
D313,448 S \* 1/1991 Pezzuti ..... D21/738  
D335,693 S \* 5/1993 Siegel ..... D21/738  
5,267,733 A 12/1993 Szokola  
5,344,149 A 9/1994 Miller  
5,382,019 A 1/1995 Sneed  
5,437,447 A 8/1995 Rigutto

(57) **CLAIM**  
The ornamental design for a bent shaft putter, as shown and described.

**DESCRIPTION**  
FIG. 1 is top front perspective view of a bent shaft of the bent shaft putter of my new design;  
FIG. 2 is a top plan view thereof;  
FIG. 3 is a right side elevational view thereof, the left side being the mirror image thereof;  
FIG. 4 is a front elevational view thereof;  
FIG. 5 is a bottom plan view thereof; and,  
FIG. 6 is a rear elevational view thereof.  
The broken line showing is for illustrative purposes only and forms no part of the claimed design.

**1 Claim, 1 Drawing Sheet**





UNITED STATES PATENT AND TRADEMARK OFFICE  
**CERTIFICATE OF CORRECTION**

PATENT NO. : Des 454,933 S  
DATED : March 26, 2002  
INVENTOR(S) : Shenoha

Page 1 of 1

It is certified that error appears in the above-identified patent and that said Letters Patent is hereby corrected as shown below:

Title page,

Item [73], Assignee, delete "Toor" and insert -- **Tour** --.

Signed and Sealed this

Fourth Day of June, 2002

*Attest:*

A handwritten signature in black ink, appearing to read "James E. Rogan", written over a horizontal line.

*Attesting Officer*

JAMES E. ROGAN  
*Director of the United States Patent and Trademark Office*