



US00D454931S

(12) **United States Design Patent**
Fon

(10) **Patent No.:** **US D454,931 S**

(45) **Date of Patent:** **** Mar. 26, 2002**

(54) **COMPUTER FOR AN EXERCISE DEVICE**

(76) **Inventor:** **Su-Jung Fon**, 5 Fl.-5, No. 142,
Ta-Hsiang St., Hsi-Tun Dist., Taichung
(TW)

(**) **Term:** **14 Years**

(21) **Appl. No.:** **29/137,751**

(22) **Filed:** **Feb. 27, 2001**

(51) **LOC (7) Cl.** **21-02**

(52) **U.S. Cl.** **D21/696**

(58) **Field of Search** D21/662, 663,
D21/664, 666, 668, 669, 670; 482/4, 5,
51, 52, 57, 148

(56) **References Cited**

U.S. PATENT DOCUMENTS

D331,435 S	*	12/1992	Ueda	D21/696
5,741,205 A	*	4/1998	Doll et al.	482/52
D407,771 S	*	4/1999	Garza	D21/696
D412,192 S	*	7/1999	Birrell et al.	D21/696

D427,156 S	*	6/2000	Arnold et al.	D21/696
D429,509 S	*	8/2000	Garza	D21/696
D438,579 S	*	3/2001	Arnold et al.	D21/696
D444,828 S	*	7/2001	Matsumoto	D21/696

* cited by examiner

Primary Examiner—Philip S. Hyder

(74) *Attorney, Agent, or Firm*—William E. Pelton, Esq.

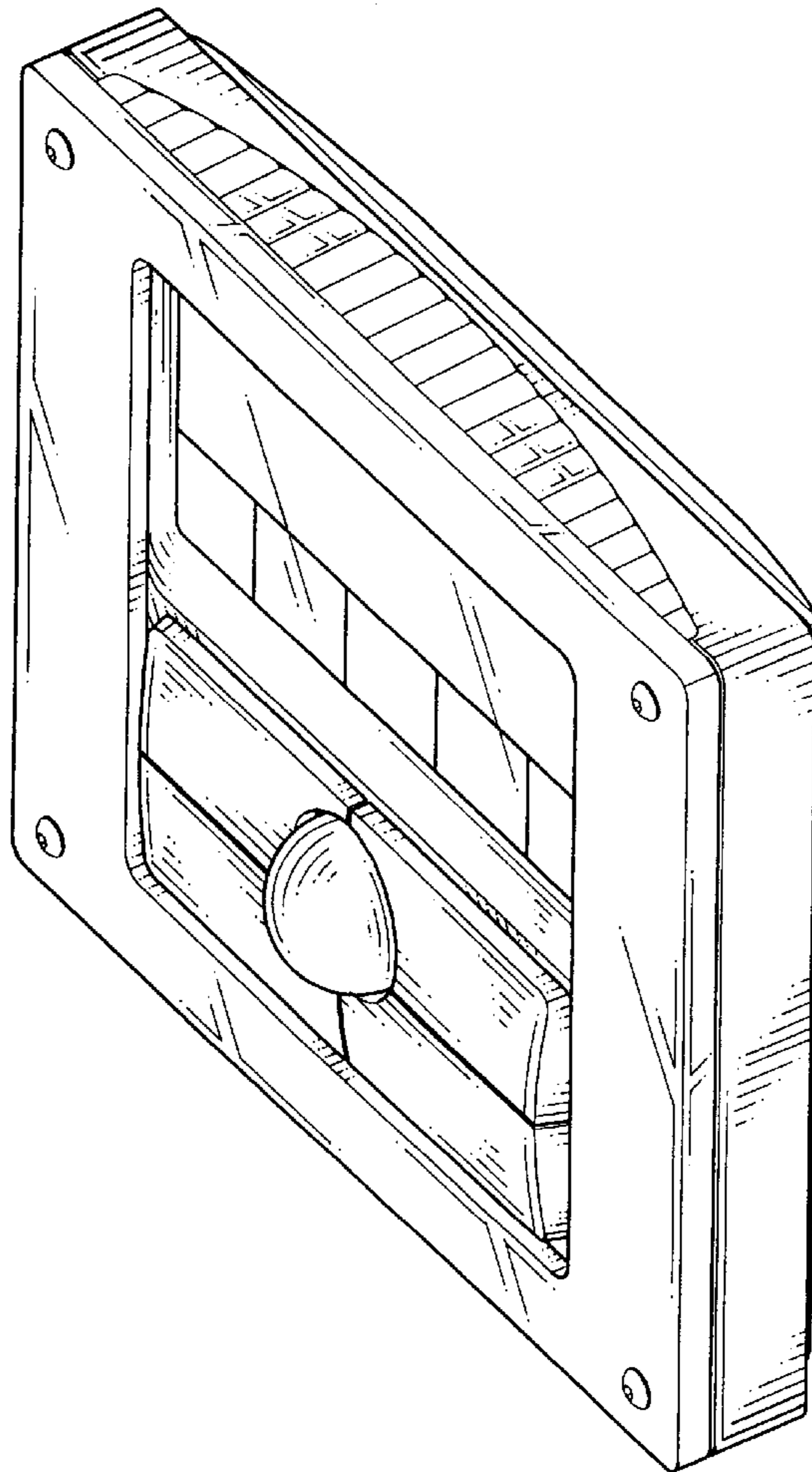
(57) **CLAIM**

The ornamental design for a computer for an exercise device, as shown.

DESCRIPTION

FIG. 1 is a perspective view of a computer for an exercise device showing my new design;
FIG. 2 is a front elevational view thereof;
FIG. 3 is a rear elevational view thereof;
FIG. 4 is a left side view thereof;
FIG. 5 is a right side view thereof;
FIG. 6 is a top plan view thereof; and,
FIG. 7 is a bottom plan view thereof.

1 Claim, 4 Drawing Sheets



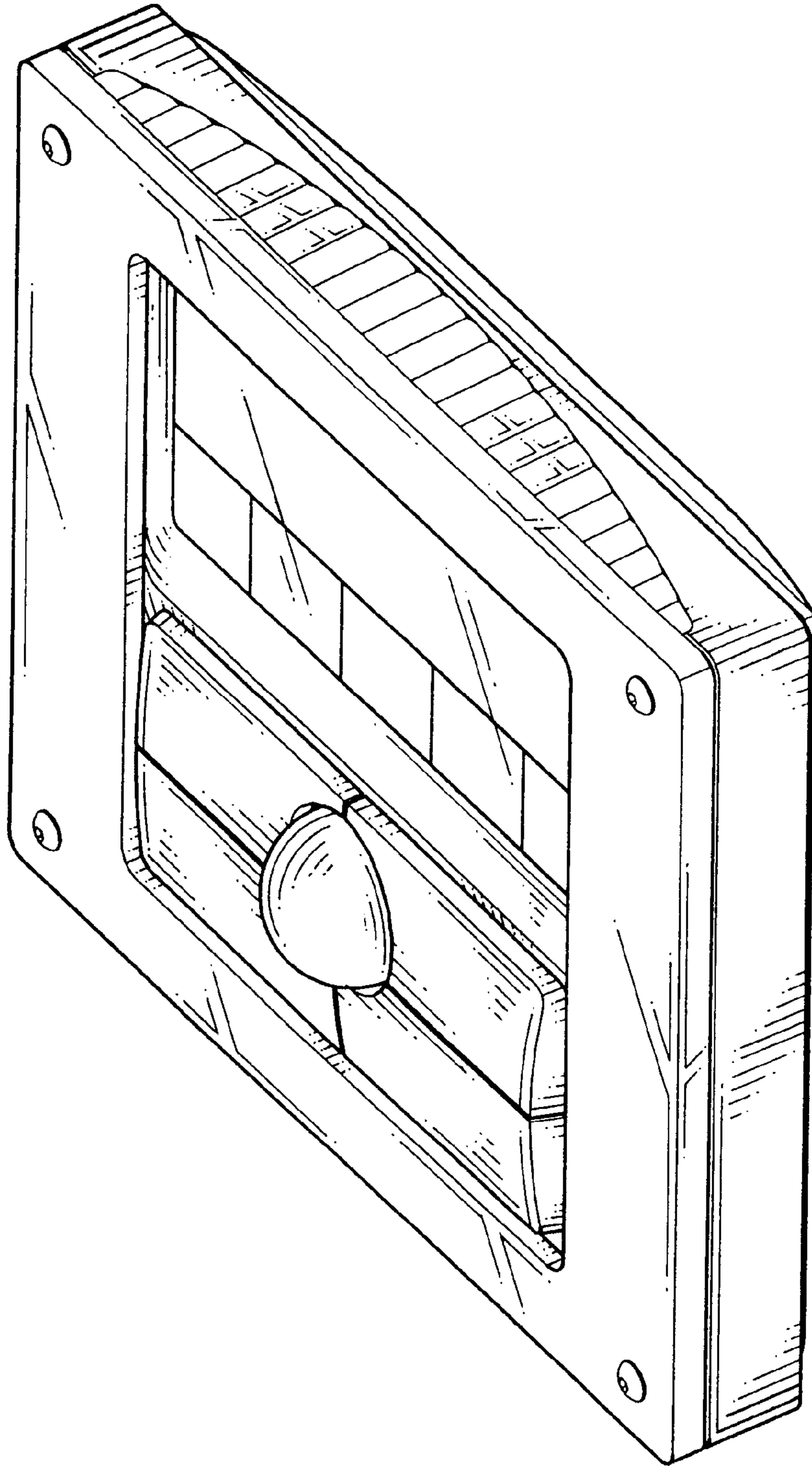


FIG. 1

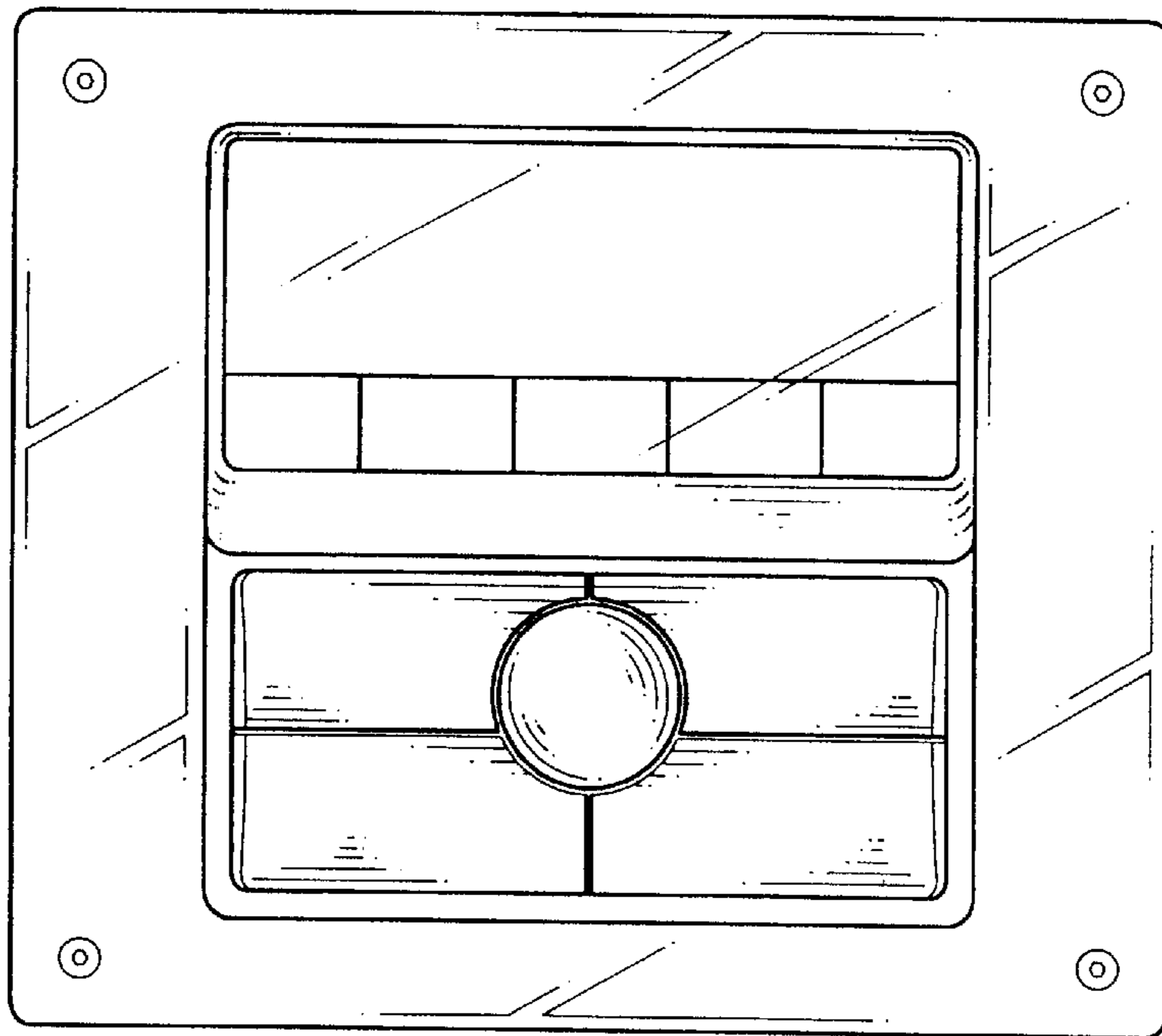


FIG. 2

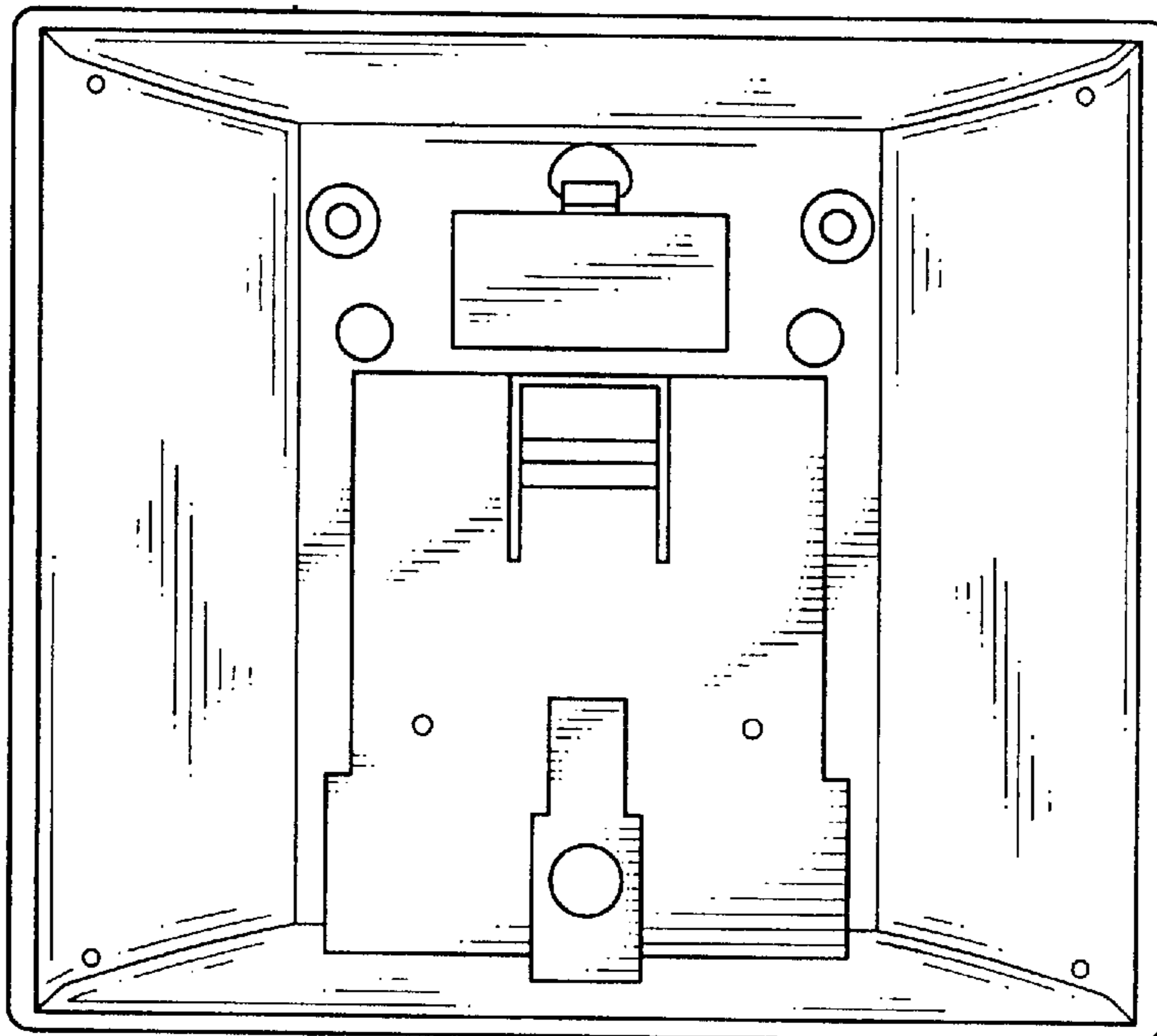


FIG. 3

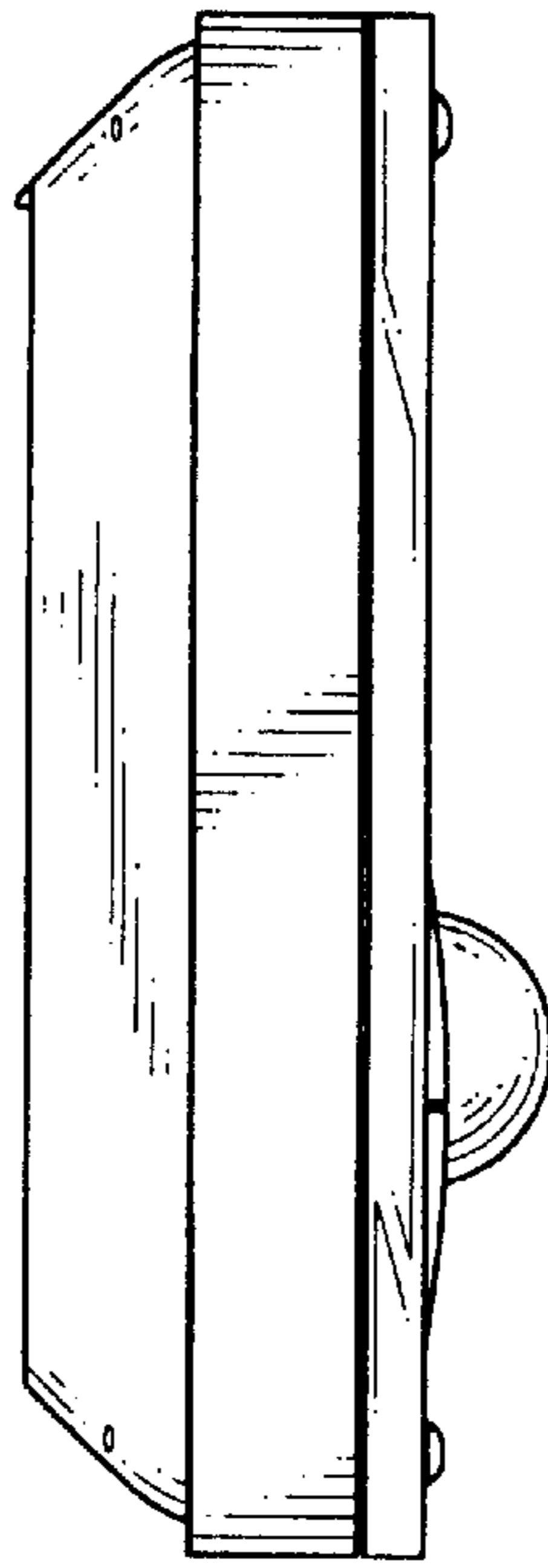


FIG. 4

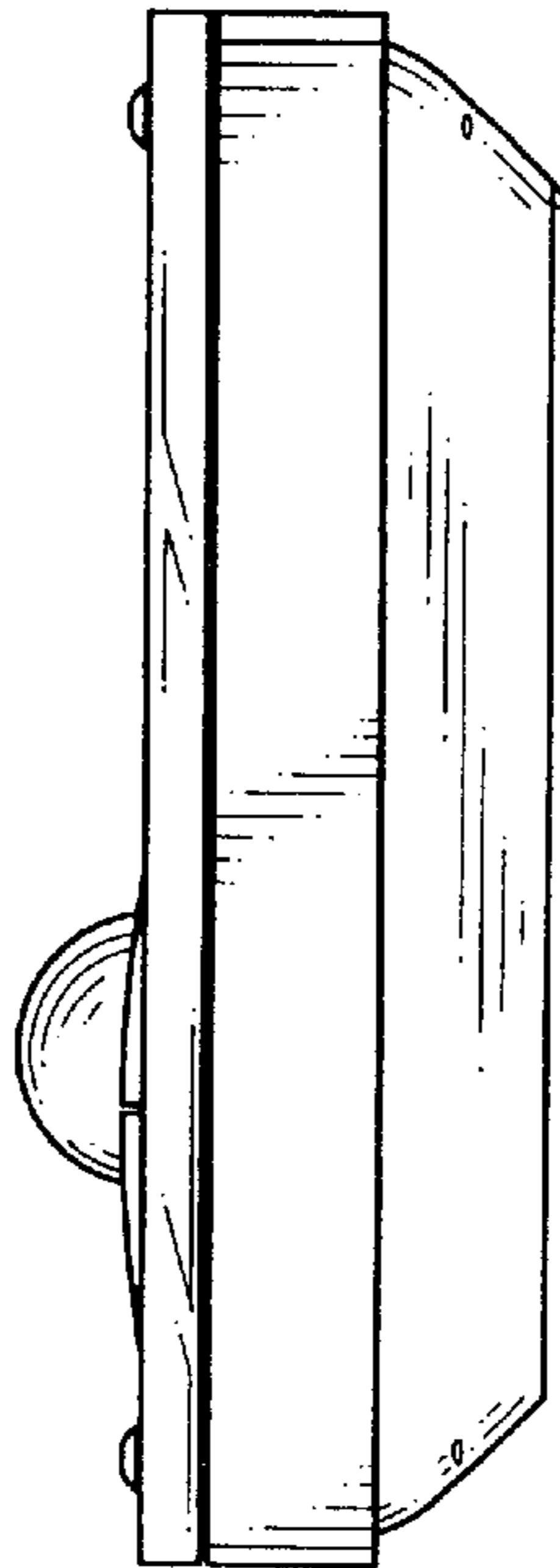


FIG. 5

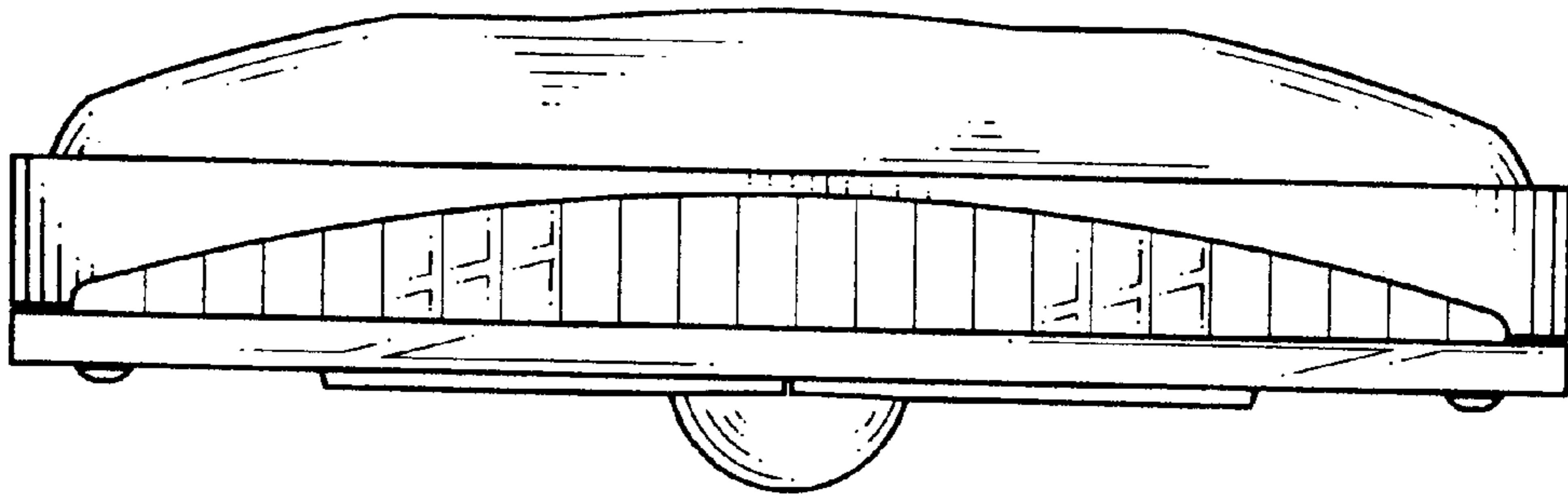


FIG. 6

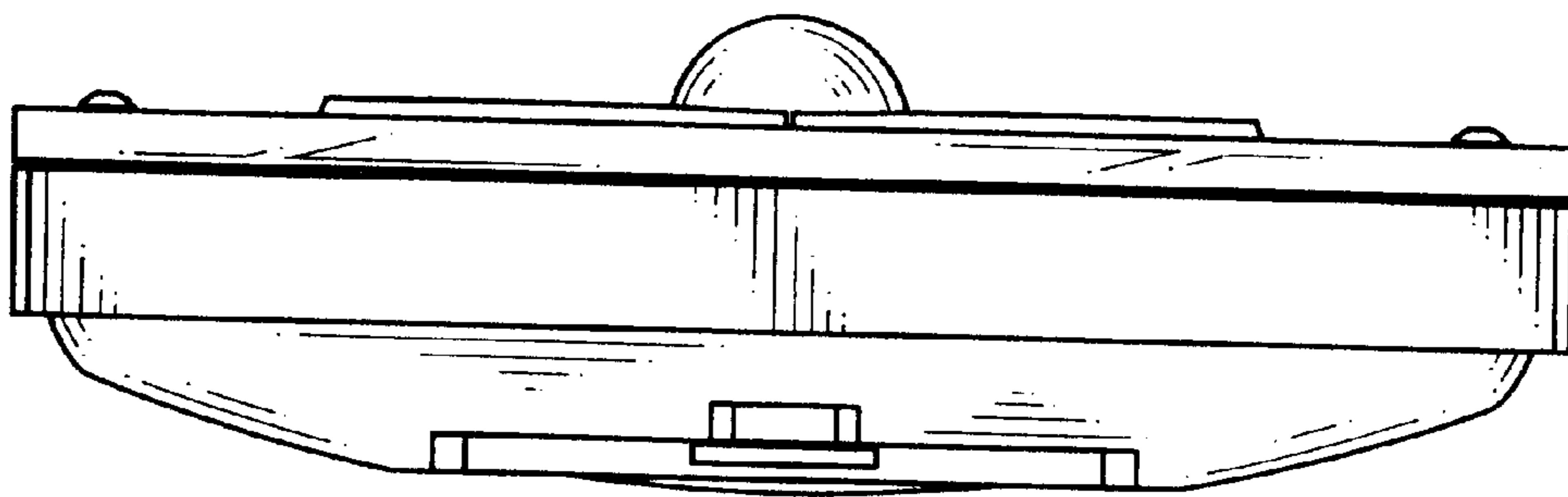


FIG. 7