



US00D454929S

(12) **United States Design Patent**  
**Huang**

(10) **Patent No.:** **US D454,929 S**  
(45) **Date of Patent:** **\*\* Mar. 26, 2002**

(54) **EXERCISE ROLLER**

(76) Inventor: **Chin-Chiu Huang**, 762 Kan-Ting Rd.,  
Ting-Li Village, Hsien-Hsi Hsian, Chang  
Hua County (TW)

(\*\*) Term: **14 Years**

(21) Appl. No.: **29/137,374**

(22) Filed: **Feb. 21, 2001**

(51) **LOC (7) Cl.** ..... **21-02**

(52) **U.S. Cl.** ..... **D21/662**

(58) **Field of Search** ..... D21/662, 681,  
D21/684, 688; 482/91, 131, 132, 148, 108

(56) **References Cited**

**U.S. PATENT DOCUMENTS**

3,403,906 A	*	10/1968	Burzenski	.....	482/132
3,616,794 A	*	11/1971	Gromala	.....	482/132
3,752,475 A	*	8/1973	Ott	.....	482/132
3,938,803 A	*	2/1976	Wilmoth et al.	.....	482/132
D248,114 S	*	6/1978	Mangiapane	.....	D21/681
4,339,127 A	*	7/1982	Mitchell	.....	482/132

4,900,017 A	*	2/1990	Bold, Jr.	.....	482/108
D306,886 S	*	3/1990	Shiek et al.	.....	D21/662
D422,038 S	*	3/2000	Iannetta	.....	D21/662
D445,852 S	*	7/2001	Mishan et al.	.....	D21/662

\* cited by examiner

*Primary Examiner*—Philip S. Hyder  
(74) *Attorney, Agent, or Firm*—Harrison & Egbert

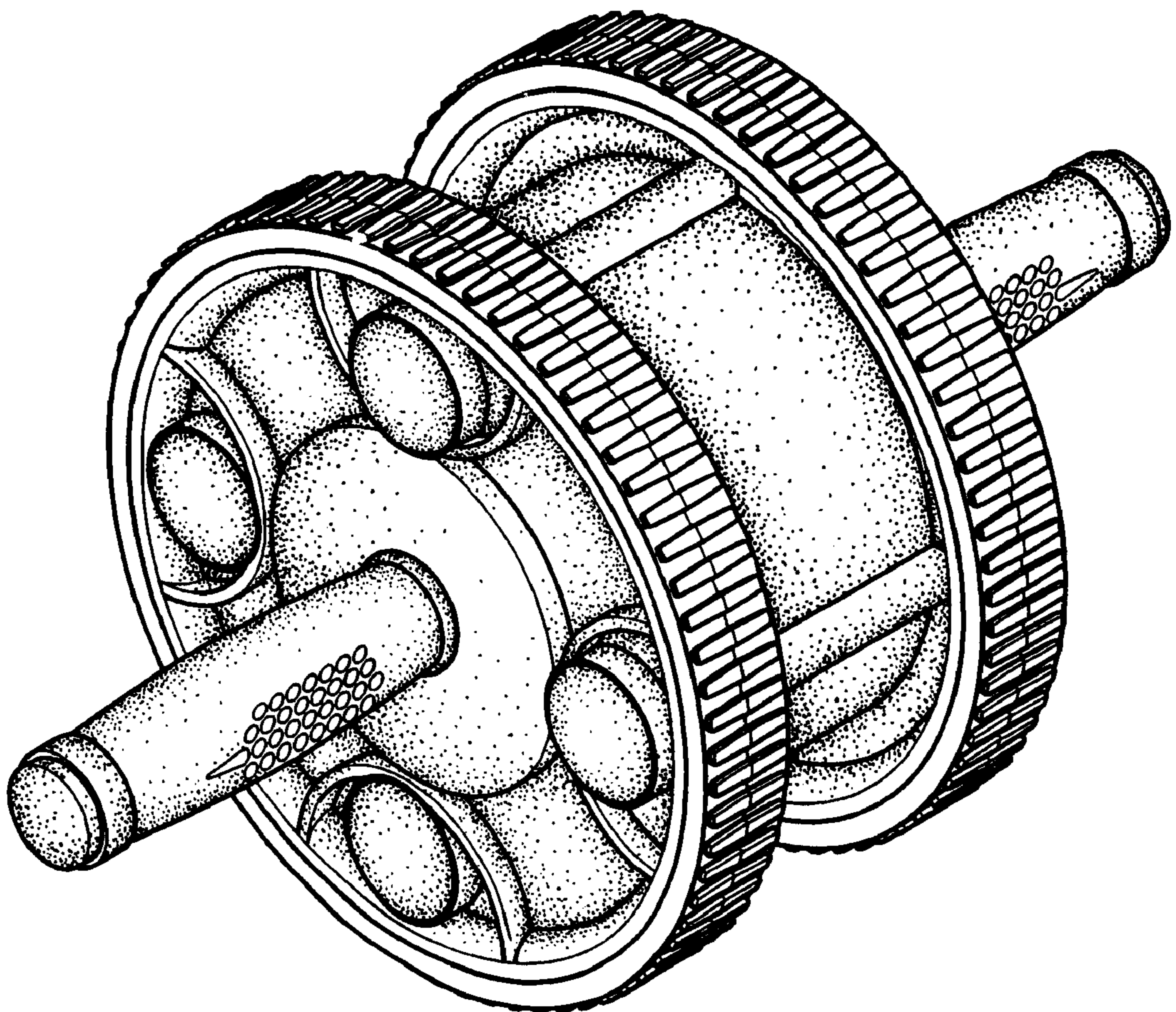
(57) **CLAIM**

I claim the ornamental design for an exercise roller, as shown and described.

**DESCRIPTION**

FIG. 1 is an upper perspective view of the exercise roller showing my design.  
FIG. 2 is a front view thereof;  
FIG. 3 is a back view thereof;  
FIG. 4 is a side view thereof;  
FIG. 5 is an opposite side view thereof;  
FIG. 6 is a top view thereof; and,  
FIG. 7 is a bottom view thereof.

**1 Claim, 4 Drawing Sheets**



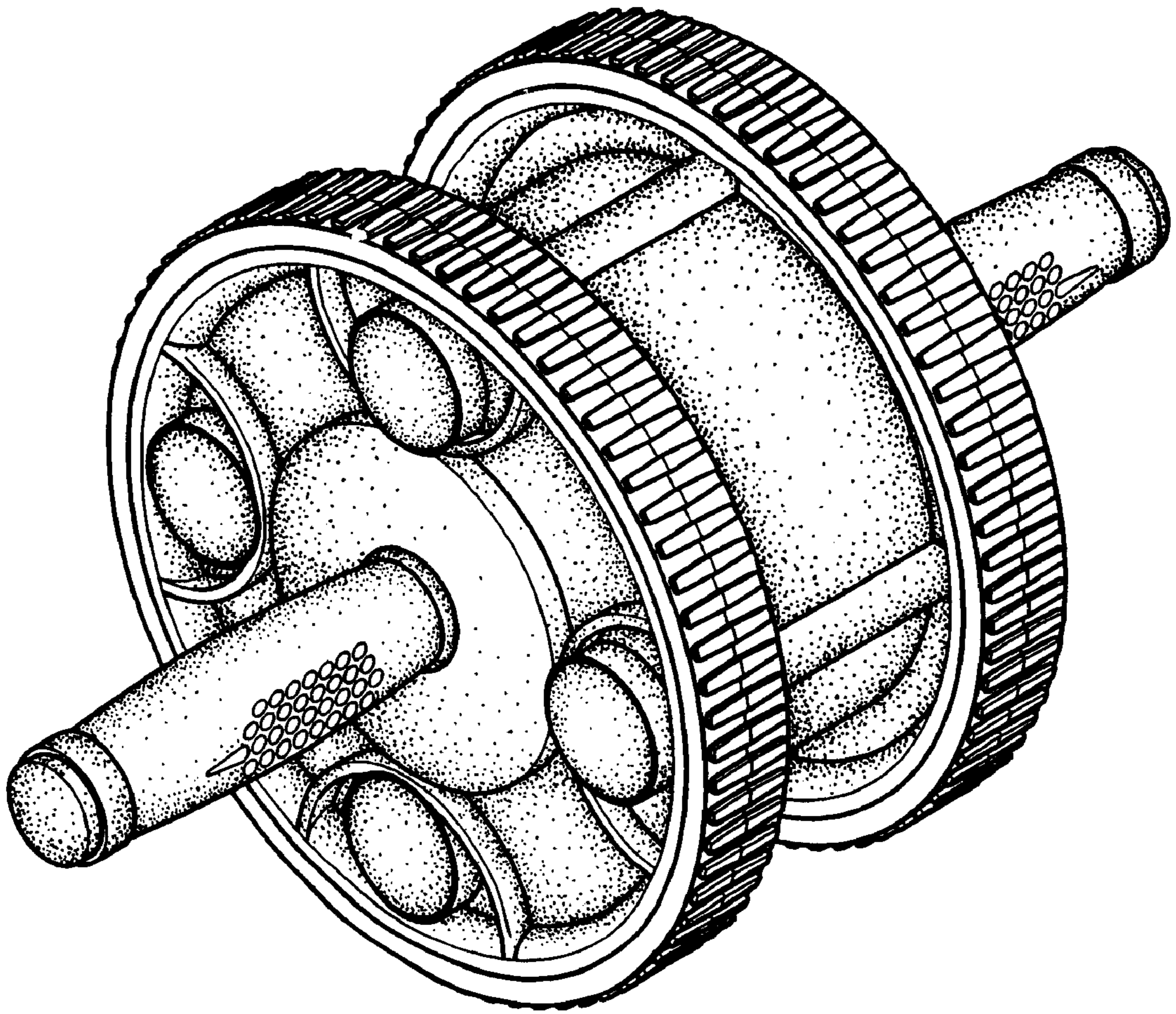


FIG.1



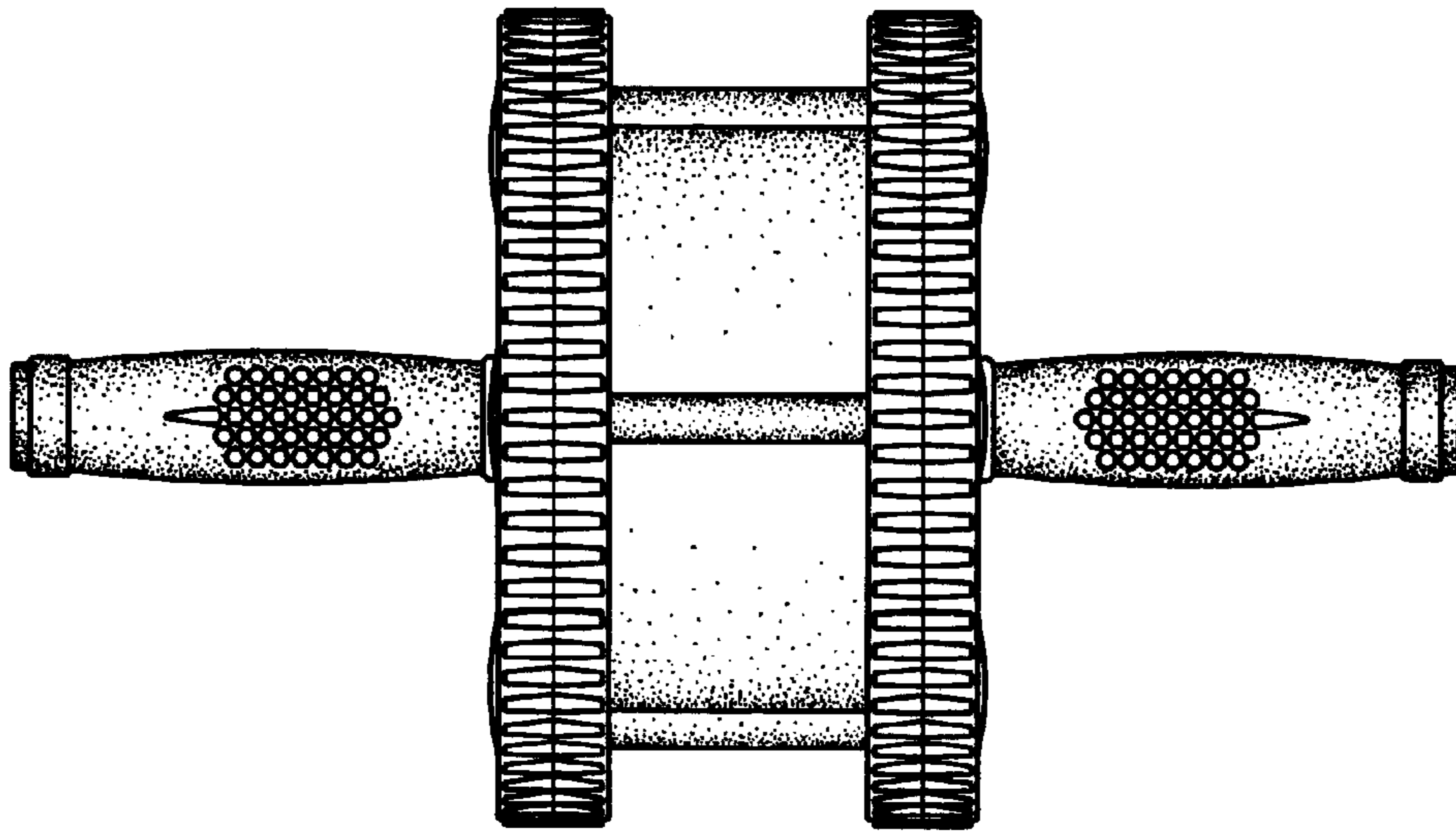


FIG. 2

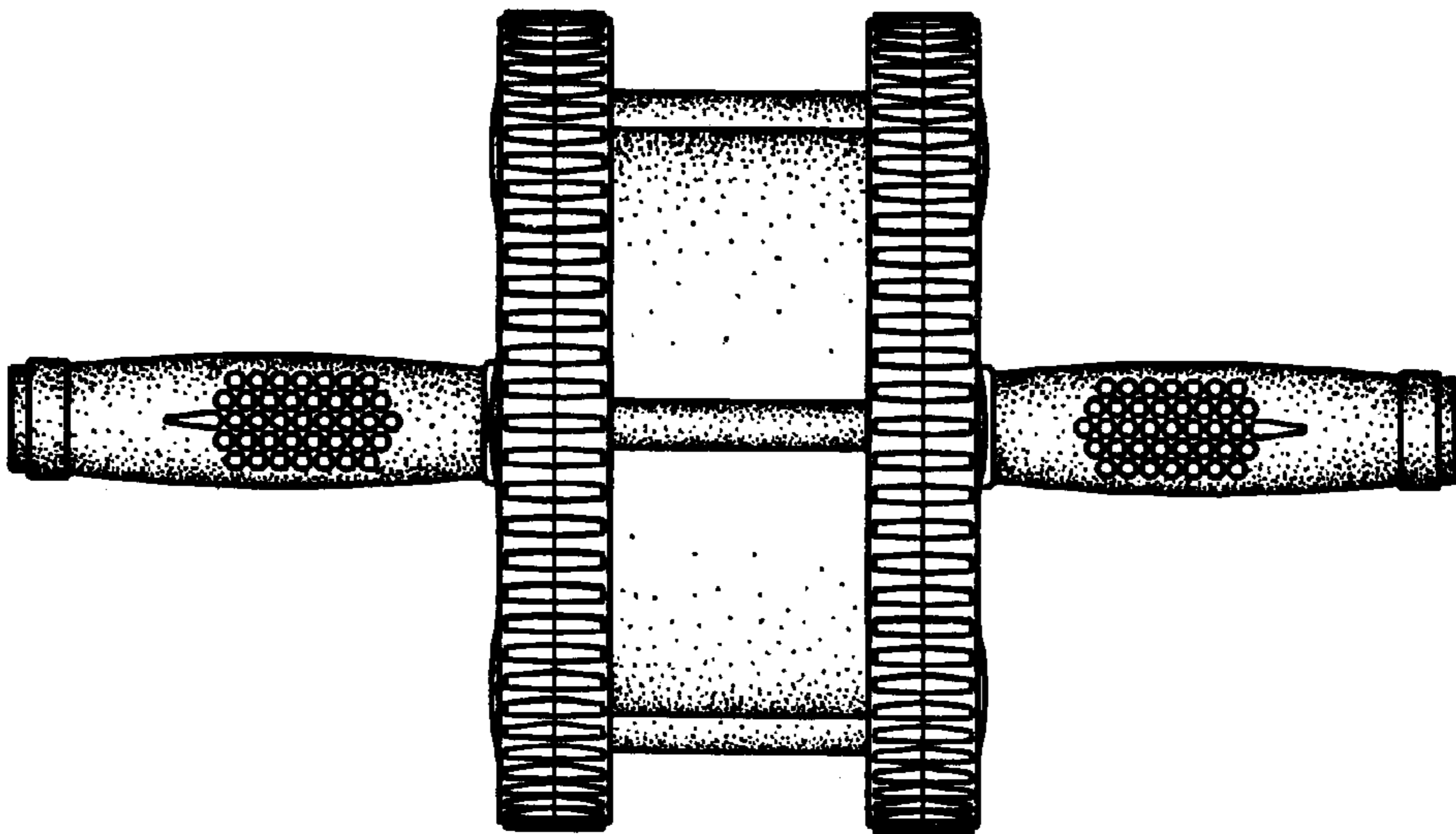


FIG. 3

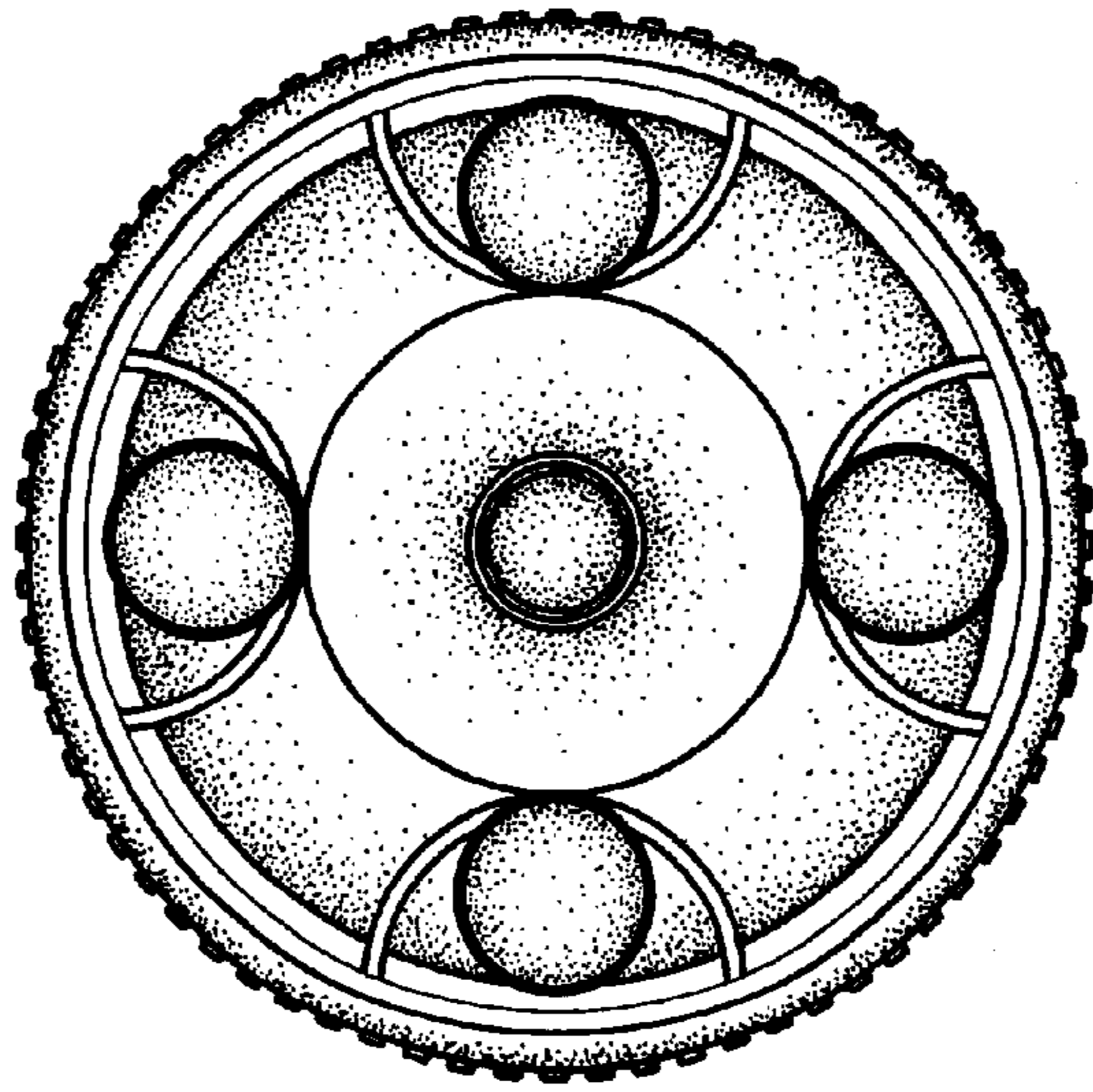


FIG. 4

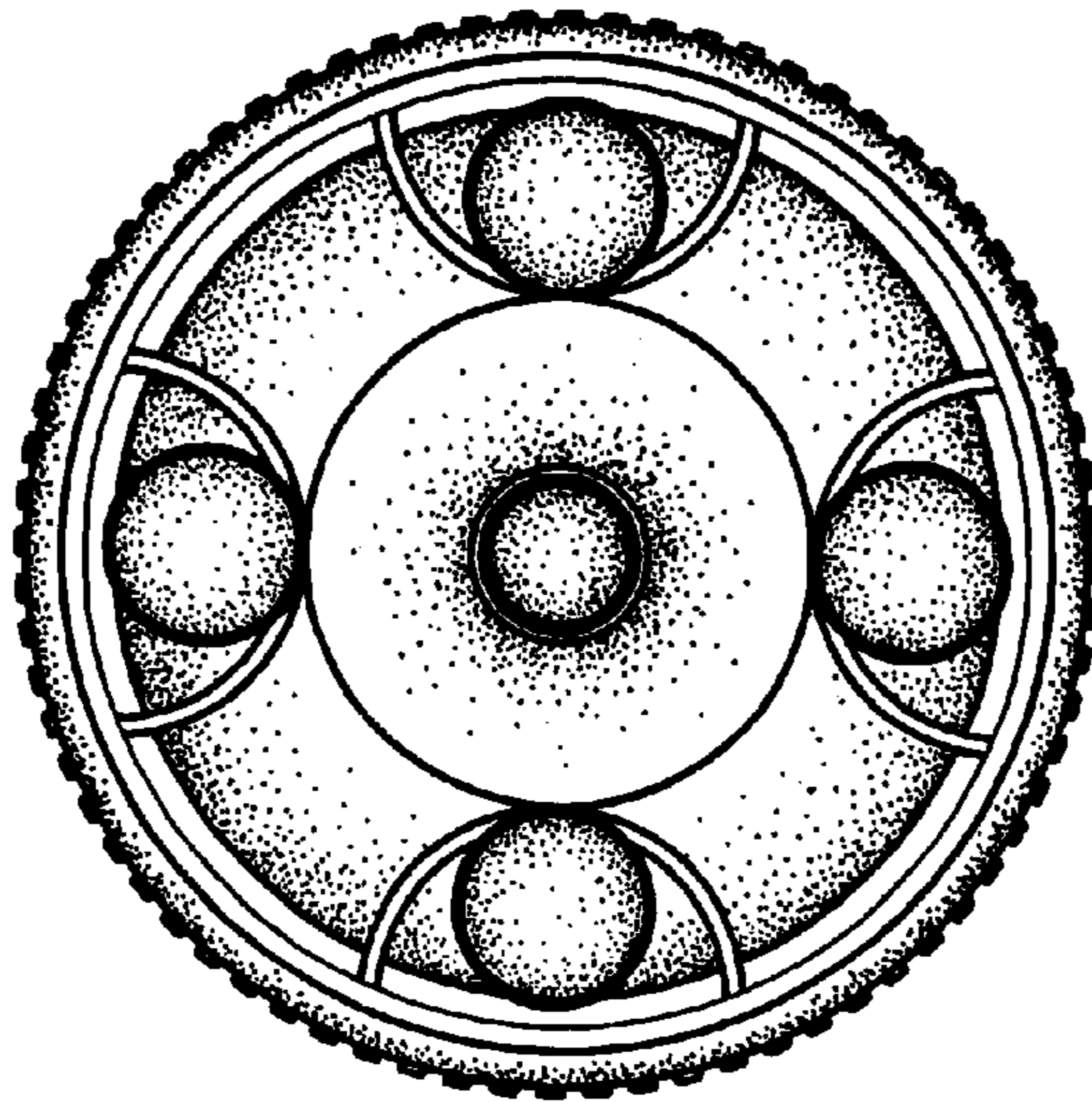


FIG. 5

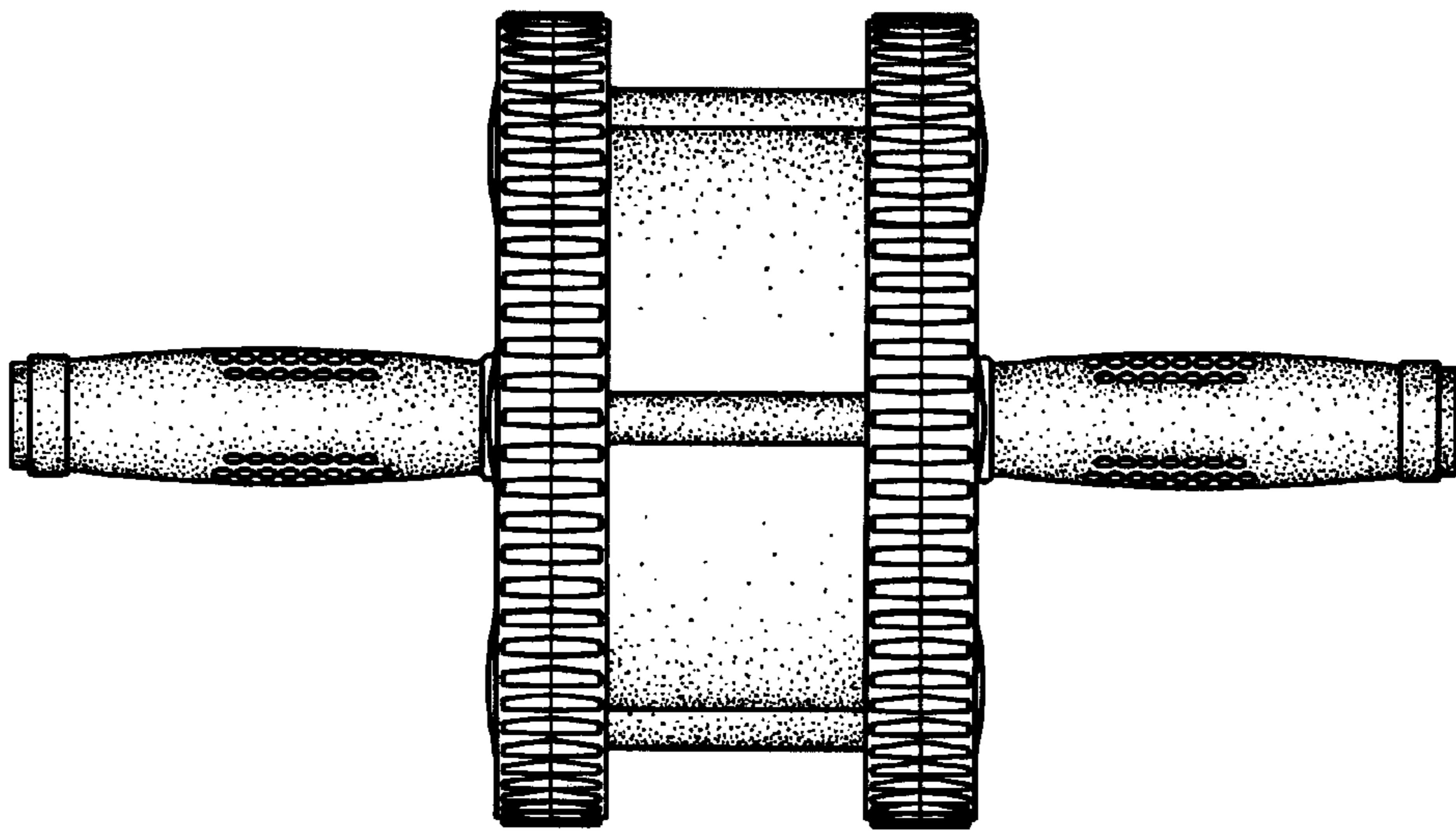


FIG. 6

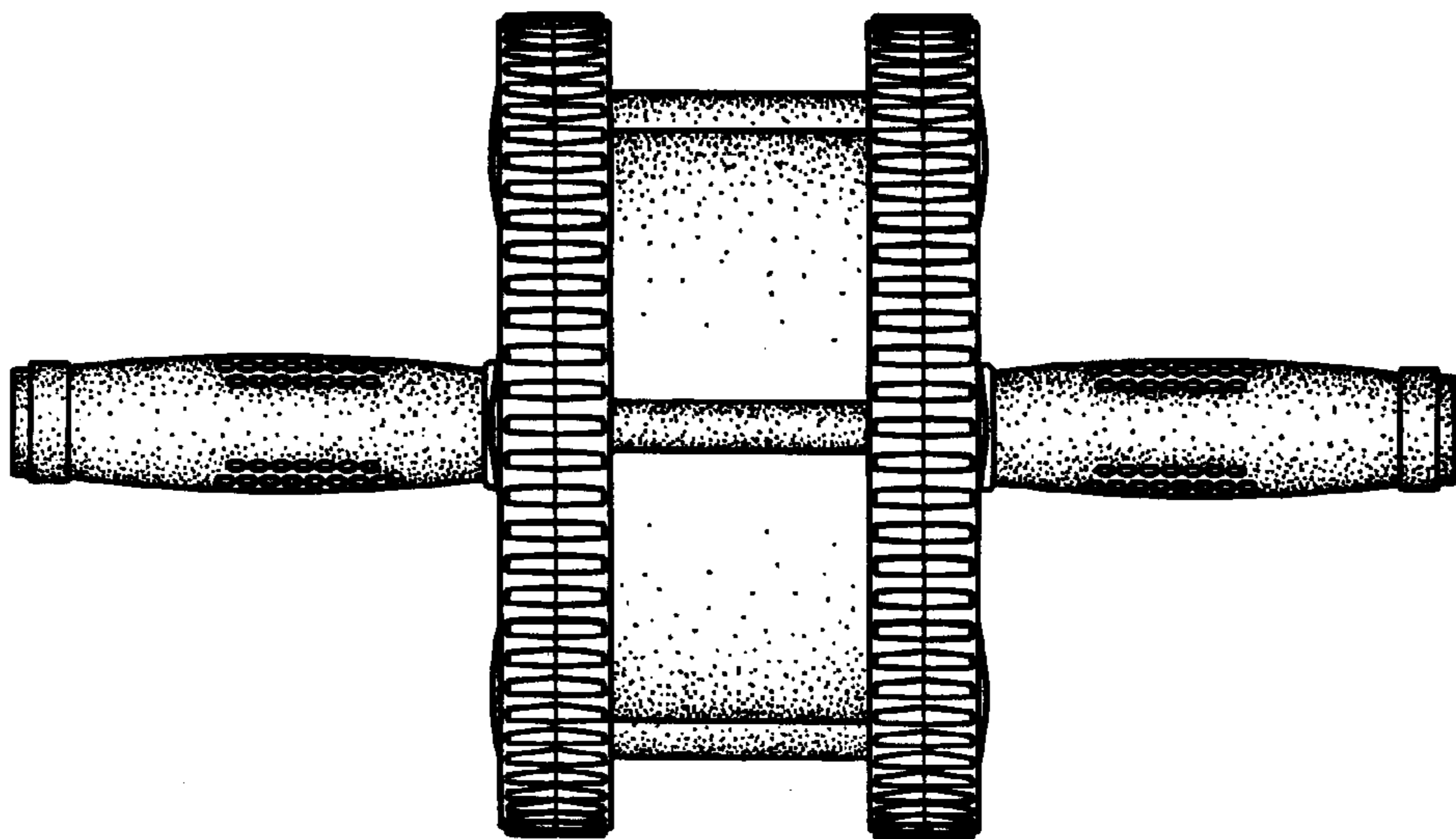


FIG. 7