



US00D454925S

(12) **United States Design Patent**  
**Chen**

(10) **Patent No.:** **US D454,925 S**

(45) **Date of Patent:** **\*\* Mar. 26, 2002**

(54) **TOY FOOTBALL TABLE**

D418,176 S \* 12/1999 Nally et al. .... D21/397

(75) Inventor: **Ying Tse Chen, Yung Kang (TW)**

\* cited by examiner

(73) Assignee: **Pai Li Business Co., Ltd., Tainan Hsian (TW)**

*Primary Examiner*—Raphael Barkai

(74) *Attorney, Agent, or Firm*—Pro-Techtor International Services

(\*\*) Term: **14 Years**

(57) **CLAIM**

(21) Appl. No.: **29/120,795**

The ornamental design for a toy football table, as shown and described.

(22) Filed: **Mar. 27, 2000**

**DESCRIPTION**

(51) **LOC (7) Cl.** ..... **21-01**

(52) **U.S. Cl.** ..... **D21/522**

(58) **Field of Search** ..... D21/522, 318,  
D21/341, 357, 397, 312; D3/274; 273/108.4,  
108.54, 247; 446/482

FIG. 1 is a perspective view of a toy football table showing my new design;

FIG. 2 is a right side elevational view thereof;

FIG. 3 is a top plan view thereof;

FIG. 4 is a front elevational view thereof;

FIG. 5 is a bottom plan view thereof;

FIG. 6 is a left side elevational view thereof; and,

FIG. 7 is a rear elevational view; and,

FIG. 8 is a perspective view of the toy football table with legs.

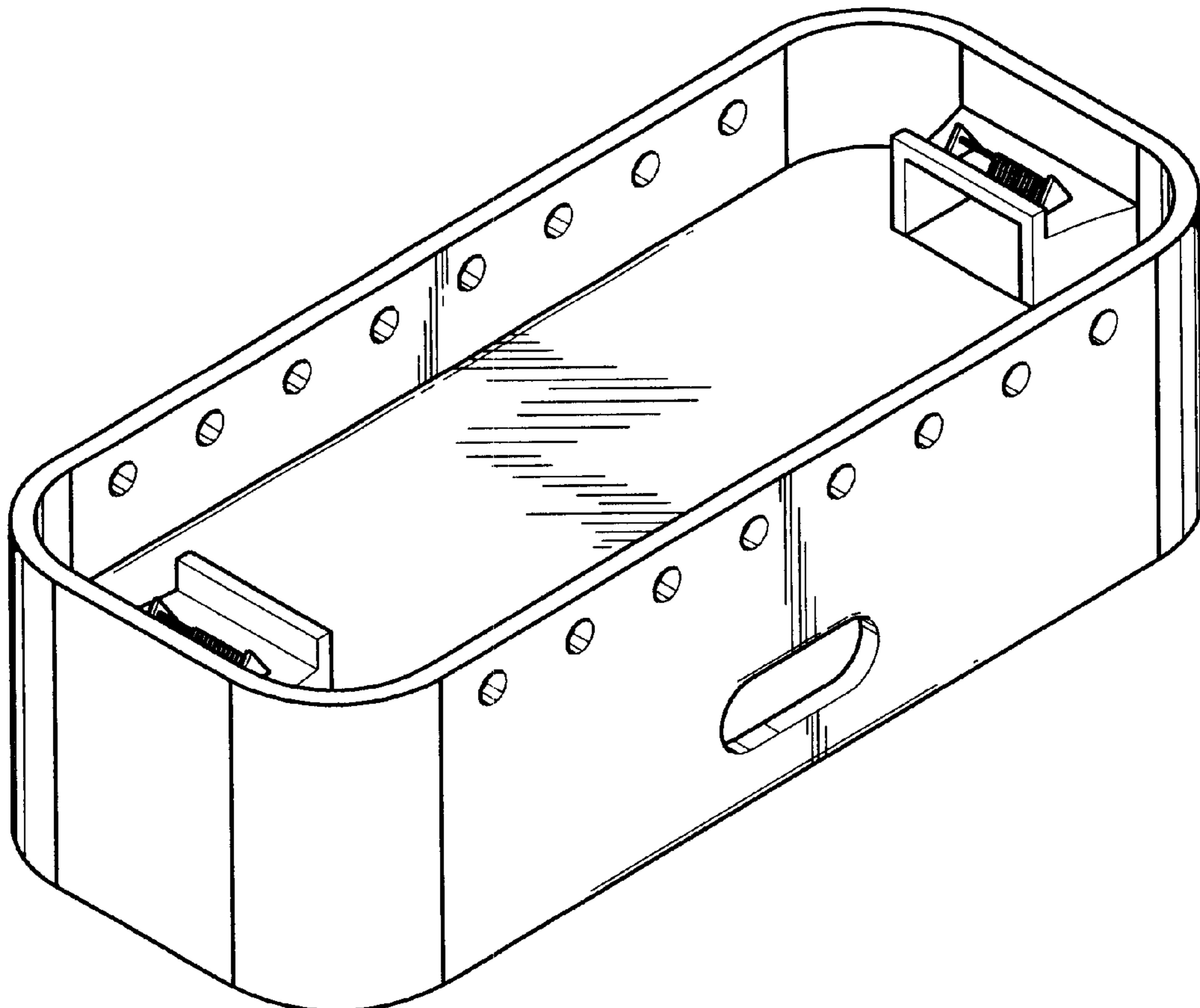
The broken line showing of legs in FIG. 8 is for illustrative purposes only and forms no part of the claimed design.

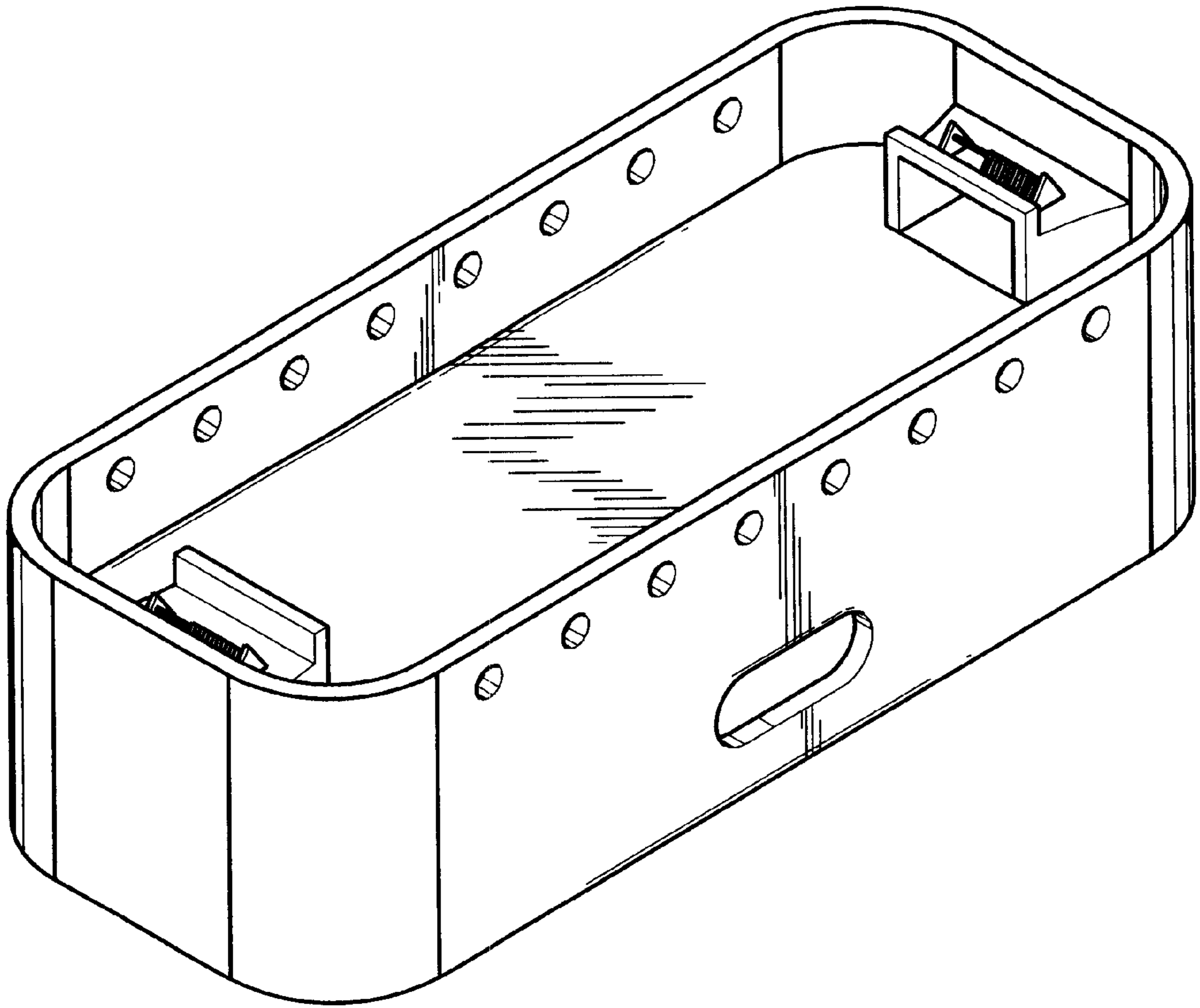
(56) **References Cited**

**U.S. PATENT DOCUMENTS**

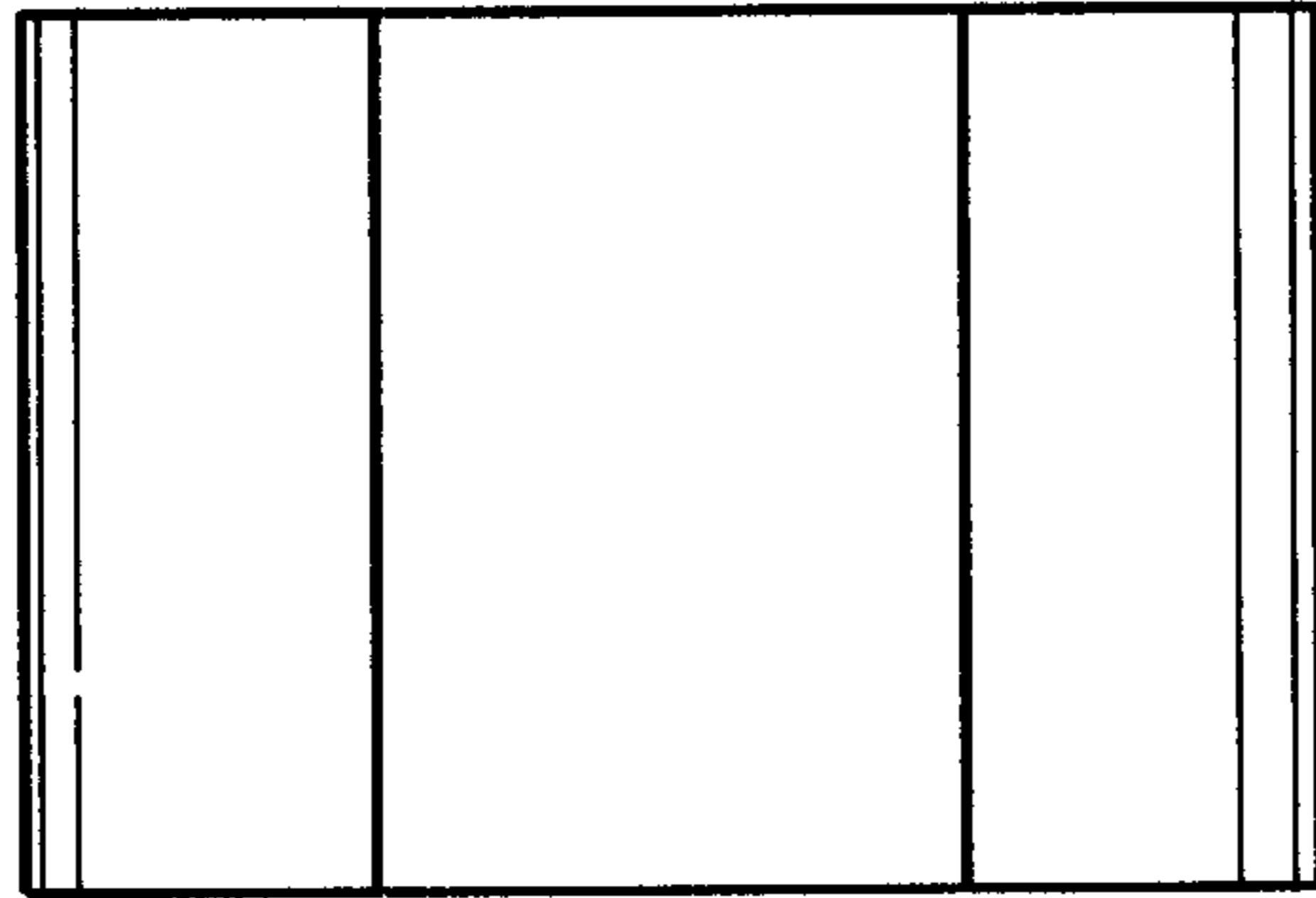
1,876,469	A	*	9/1932	Quinn	.....	273/108.54
2,079,136	A	*	5/1937	Untener	.....	273/108.54
D145,858	S	*	10/1946	Rosenbloom	.....	D21/522
D246,674	S	*	12/1977	Cecchetti	.....	D21/318
D368,281	S	*	3/1996	Brown et al.	.....	D21/318
D376,389	S	*	12/1996	Suzuki	.....	D21/341

**1 Claim, 5 Drawing Sheets**

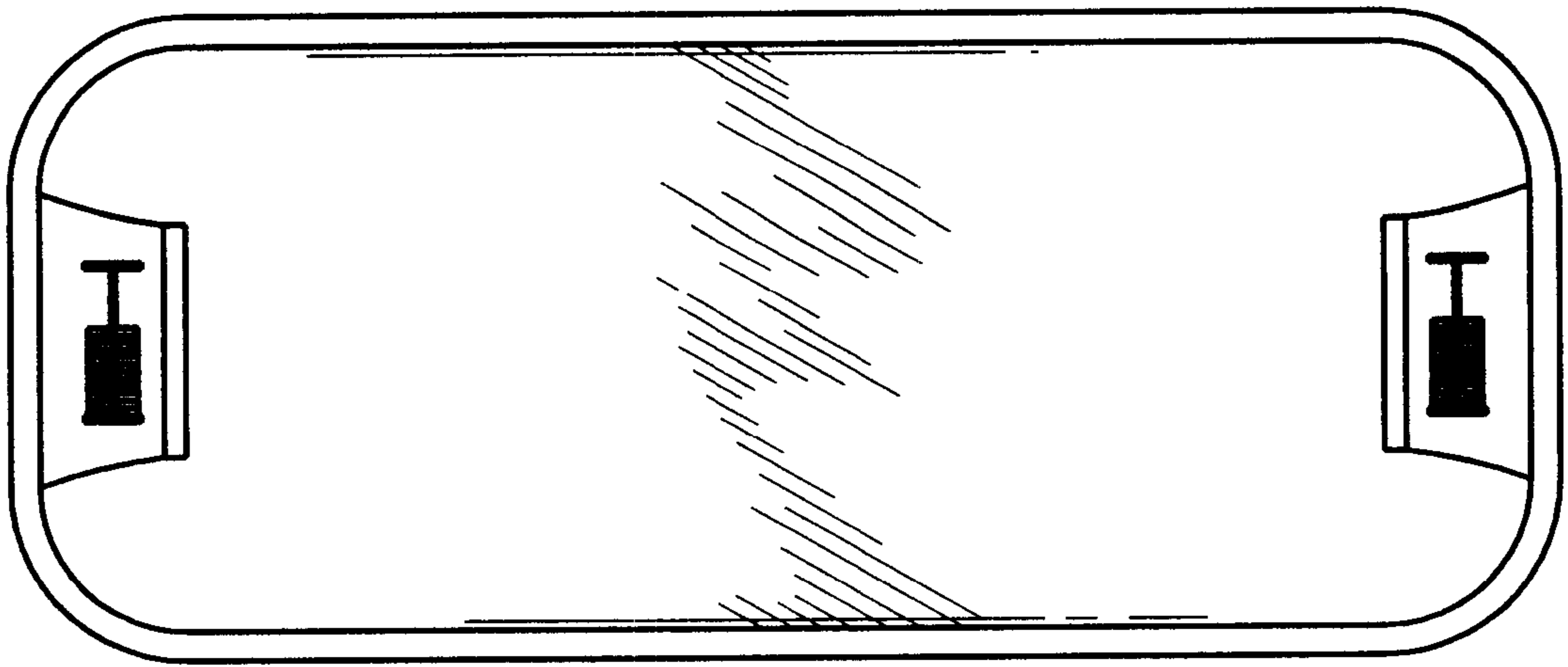




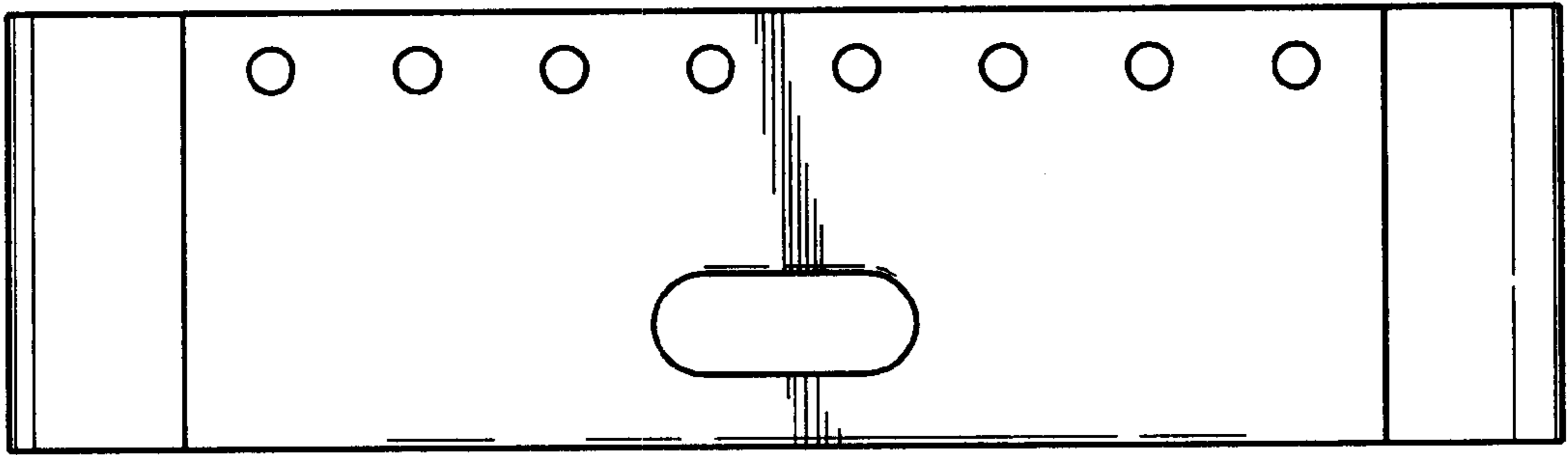
*FIG. 1*



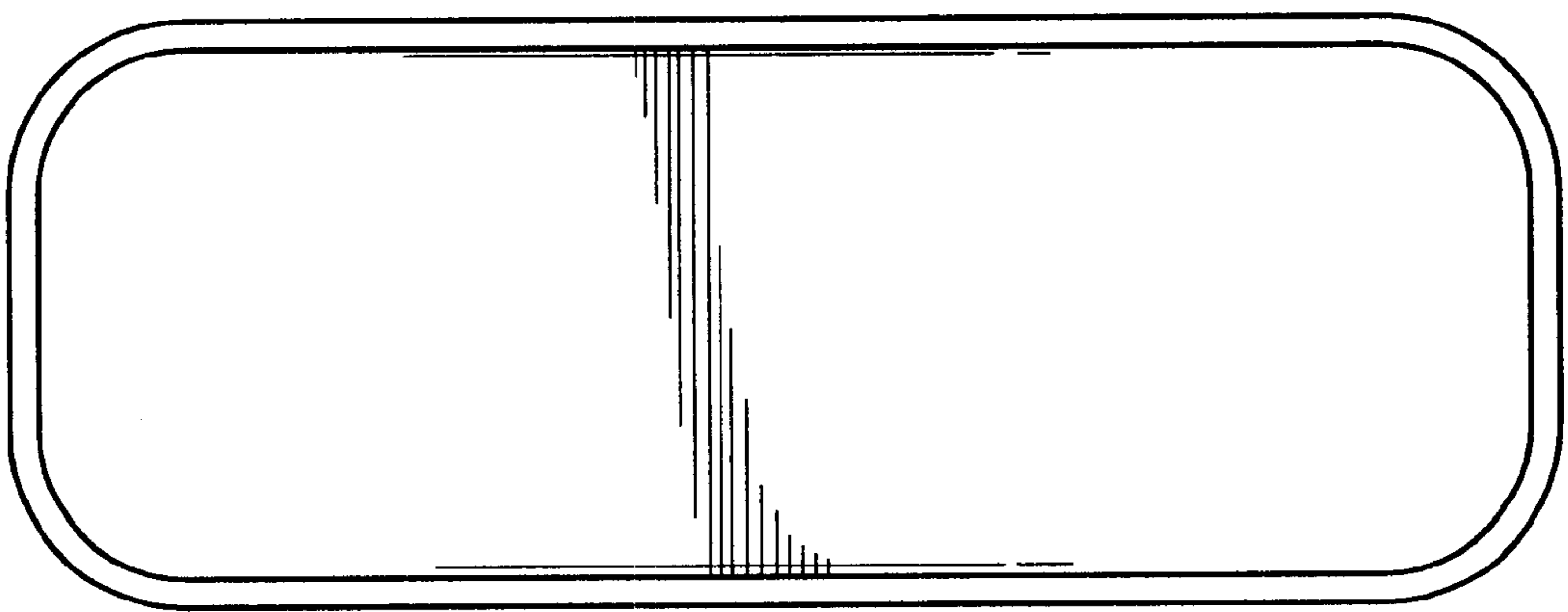
*FIG. 2*



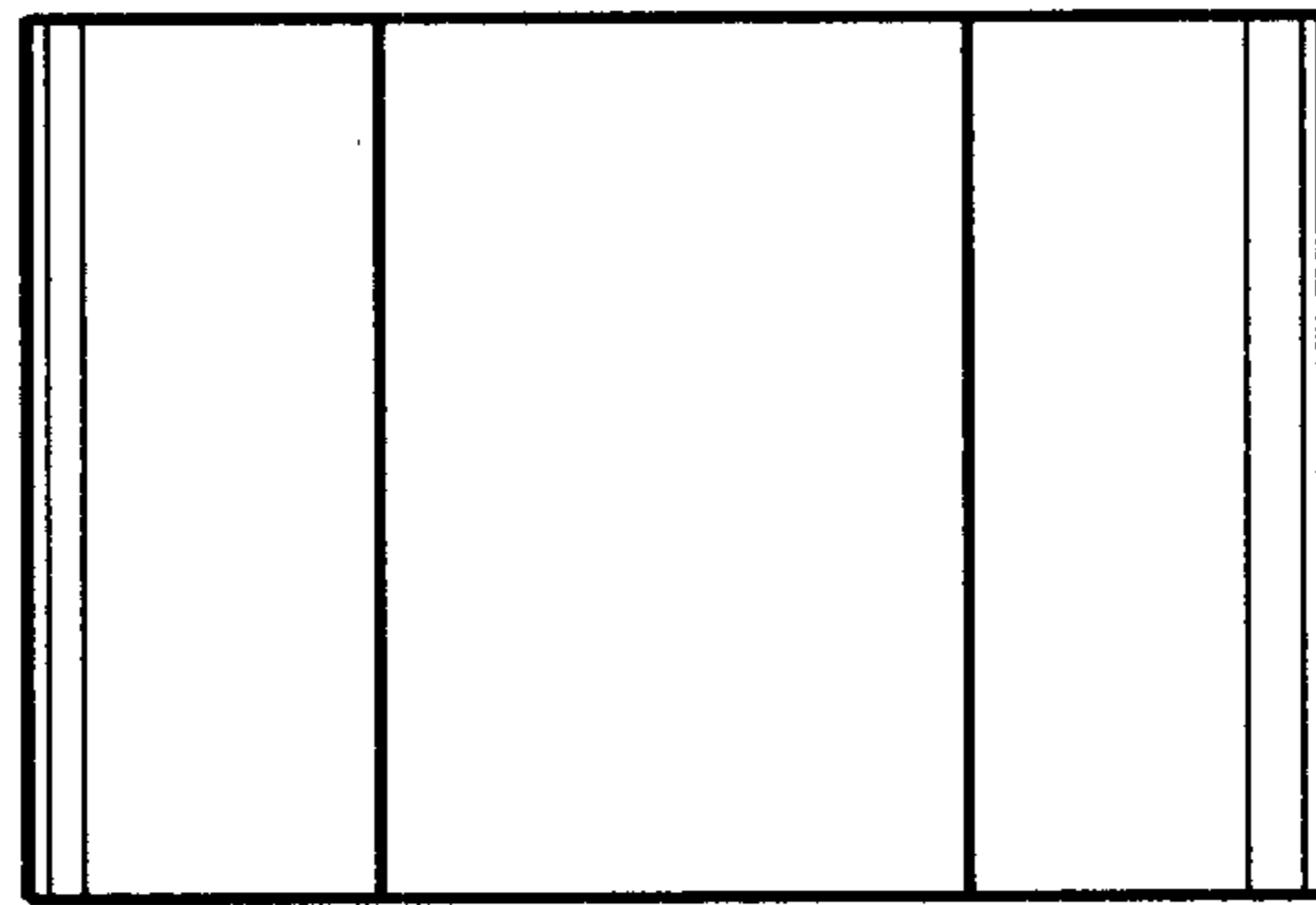
*FIG. 3*



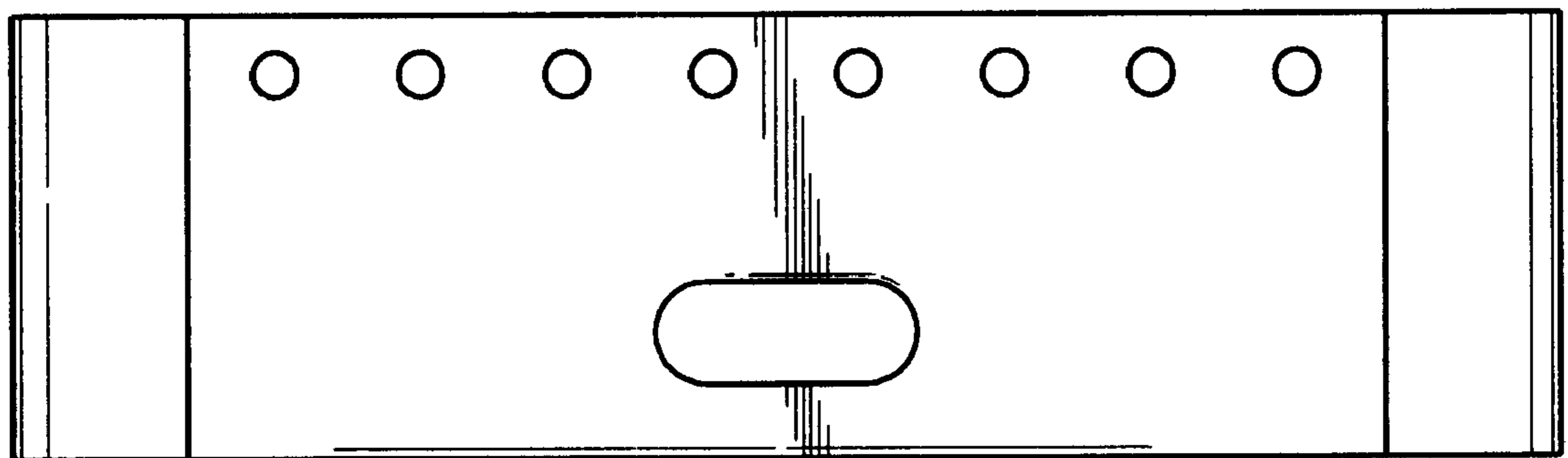
*FIG. 4*



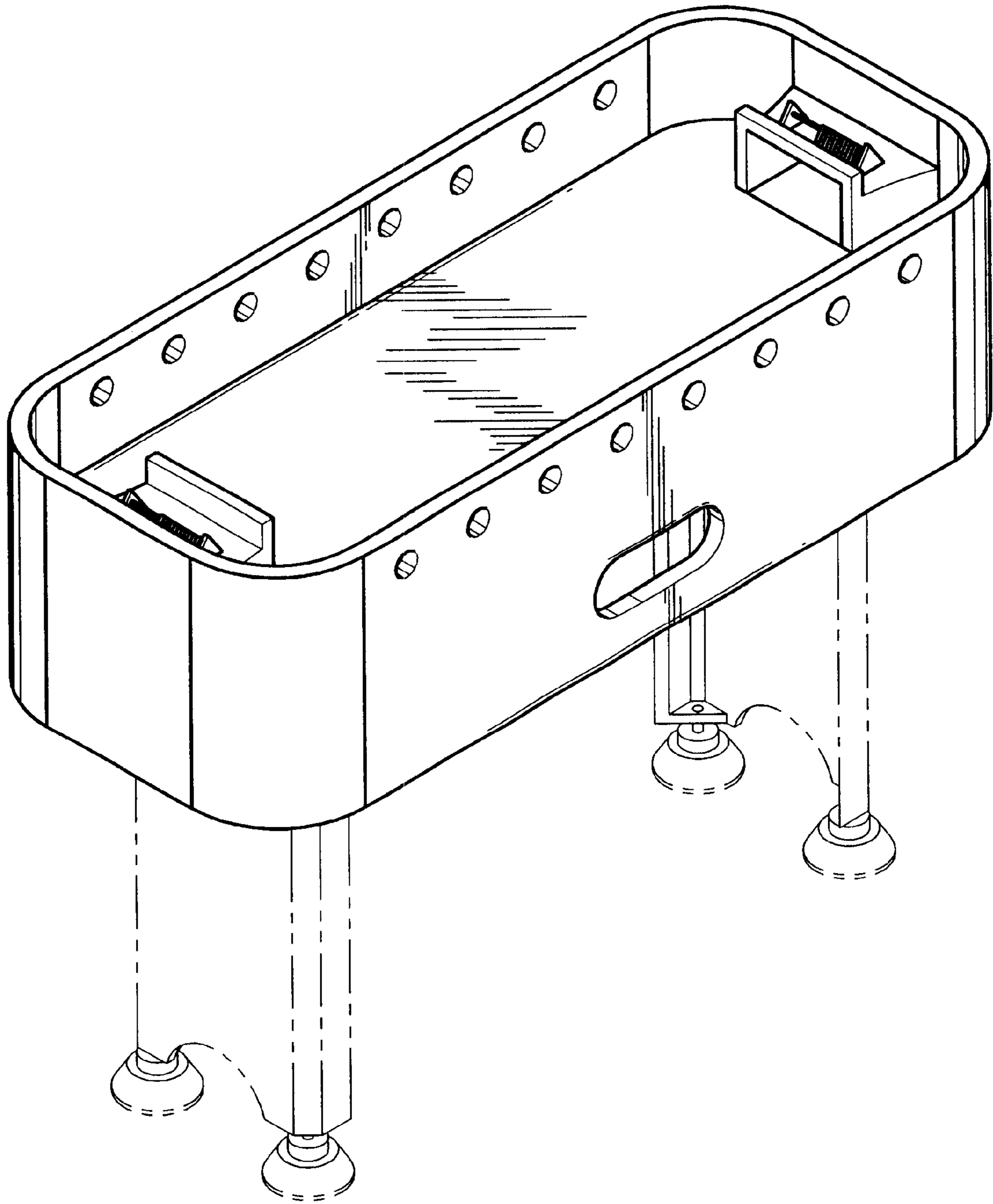
*FIG. 5*



*FIG. 6*



*FIG. 7*



*FIG. 8*