



US00D454923S

(12) **United States Design Patent**
Katz

(10) **Patent No.:** **US D454,923 S**

(45) **Date of Patent:** **** Mar. 26, 2002**

(54) **PLAY BOX FOR A CHILD**

(76) Inventor: **Robert Katz**, 3570 Ridgewood, Apt.
305, Montréal, Québec (CA), H3V 1C2

(**) Term: **14 Years**

(21) Appl. No.: **29/128,867**

(22) Filed: **Sep. 5, 2000**

(51) **LOC (7) Cl.** **21-01**

(52) **U.S. Cl.** **D21/433; D21/816; D21/836;**
D3/271; D9/308

(58) **Field of Search** **D21/419, 424-427,**
D21/433, 548-551, 816, 836; D3/270, 271;
D9/308; 446/71, 75, 76, 470; 206/457,
458

(56) **References Cited**

U.S. PATENT DOCUMENTS

D244,452 S	*	5/1977	Ohshiro	D21/816
4,642,822 A	*	2/1987	Tvengsberg		
D347,528 S	*	6/1994	Lee	D21/433
5,330,210 A	*	7/1994	Lambrech		
D349,632 S	*	8/1994	Nicholson et al.	D9/308
D369,022 S	*	4/1996	Sun	D3/271
D394,804 S	*	6/1998	Sun	D9/308
D397,166 S	*	8/1998	Lai	D21/433
D401,407 S	*	11/1998	Bro et al.	D3/271
5,950,257 A	*	9/1999	Smith et al.	446/71

D417,481 S	*	12/1999	Schwartz et al.	D21/836
D432,182 S	*	10/2000	Tuyl et al.	D21/433
D432,302 S	*	10/2000	Chen	D3/271

* cited by examiner

Primary Examiner—Raphael Barkai

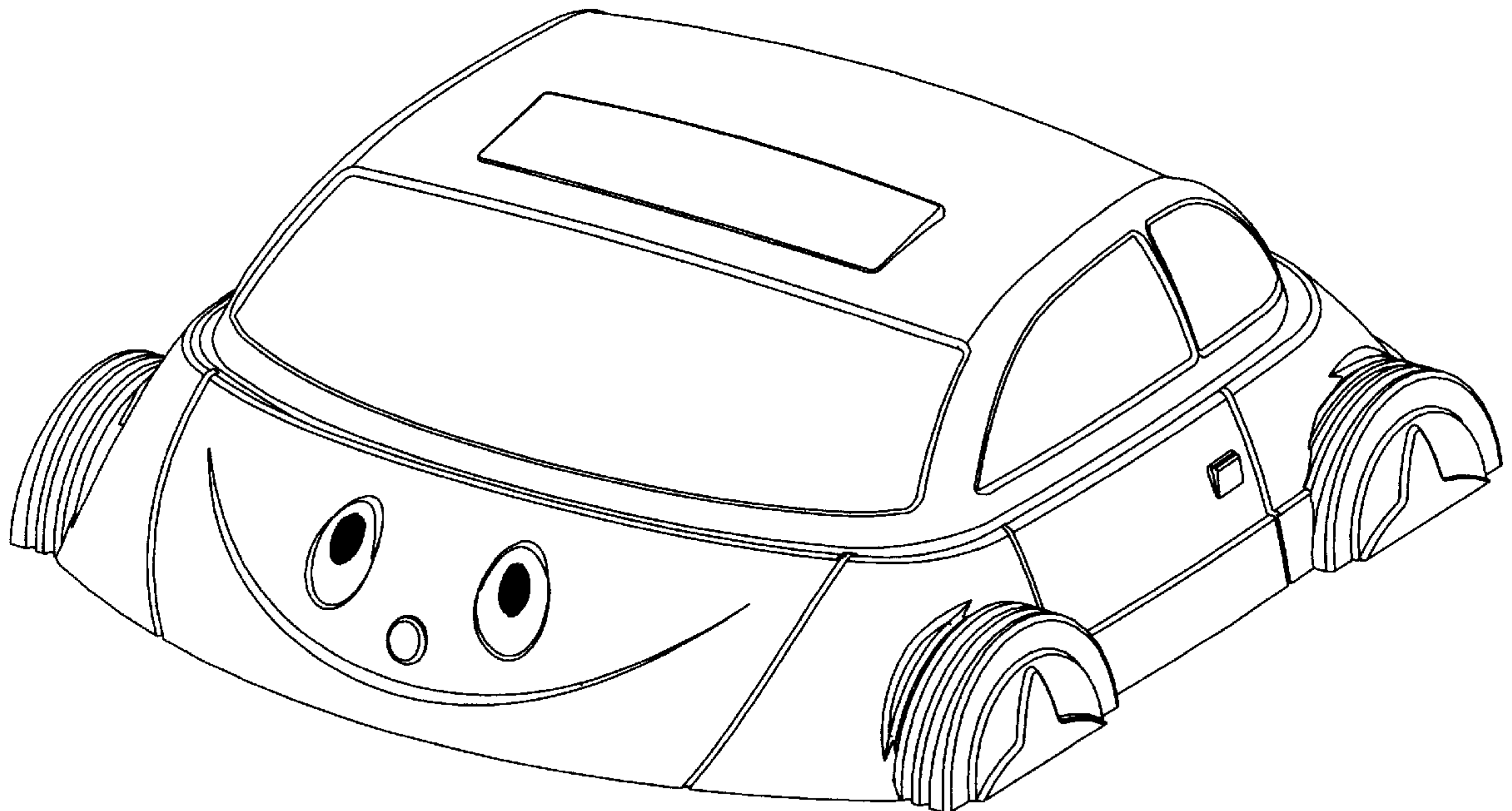
(57) **CLAIM**

The ornamental design for a play box for a child, as shown and described.

DESCRIPTION

FIG. 1 is a perspective view of the play box;
 FIG. 2 is a top view of the play box;
 FIG. 3 is a right side view of the play box, the left side view being identical but reversed;
 FIG. 4 is a front view of the play box;
 FIG. 5 is a rear view of the play box;
 FIG. 6 is a bottom view of the play box;
 FIG. 7 is a perspective view of the play box with the cover removed;
 FIG. 8 is a top view of the play box with the cover removed;
 FIG. 9 is a right side view of the play box with the cover removed, the left side view being identical but reversed;
 FIG. 10 is a front view of the play box with the cover removed; and,
 FIG. 11 is a rear view of the play box with the cover removed.

1 Claim, 7 Drawing Sheets



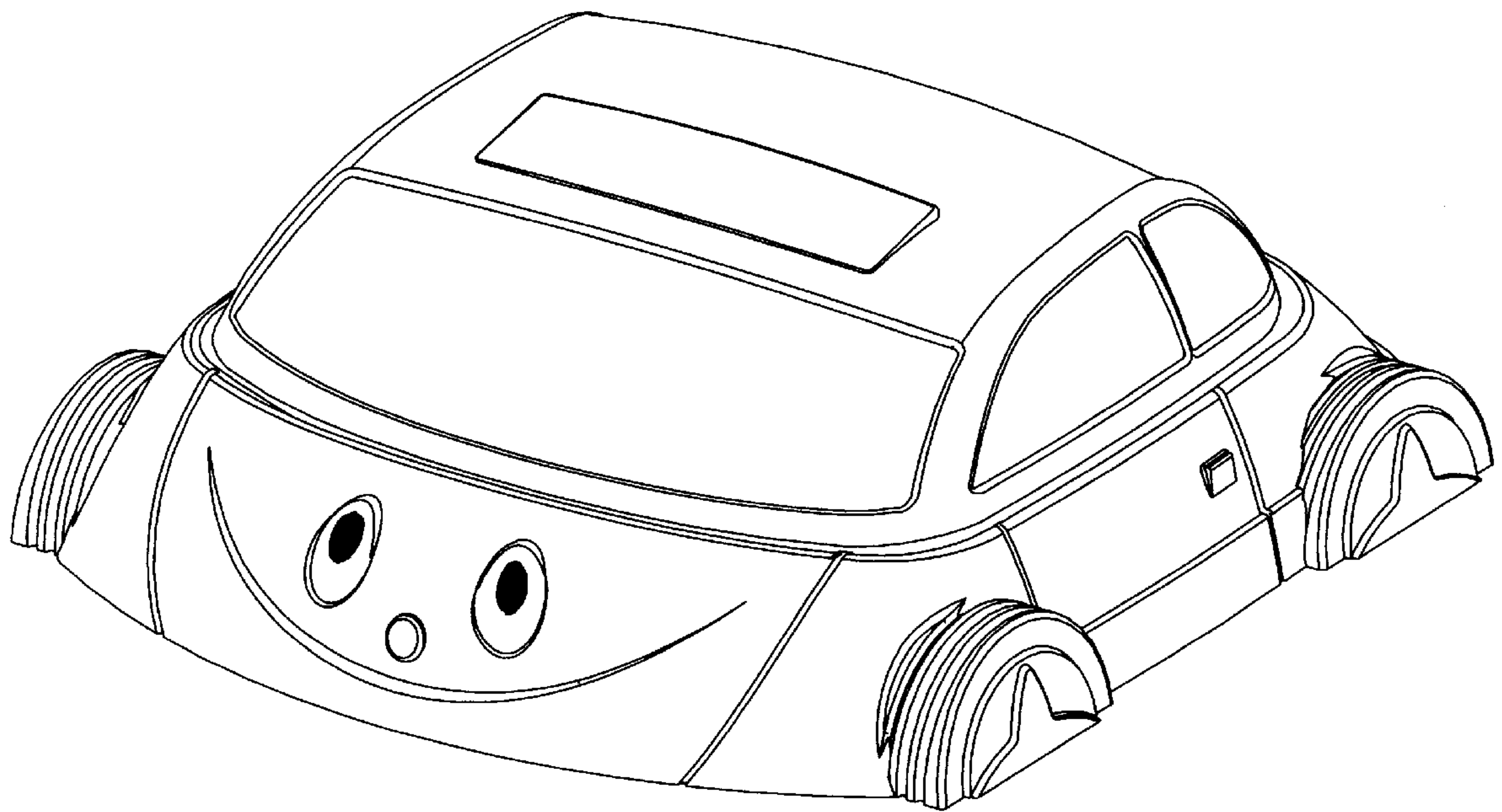


Fig. 1

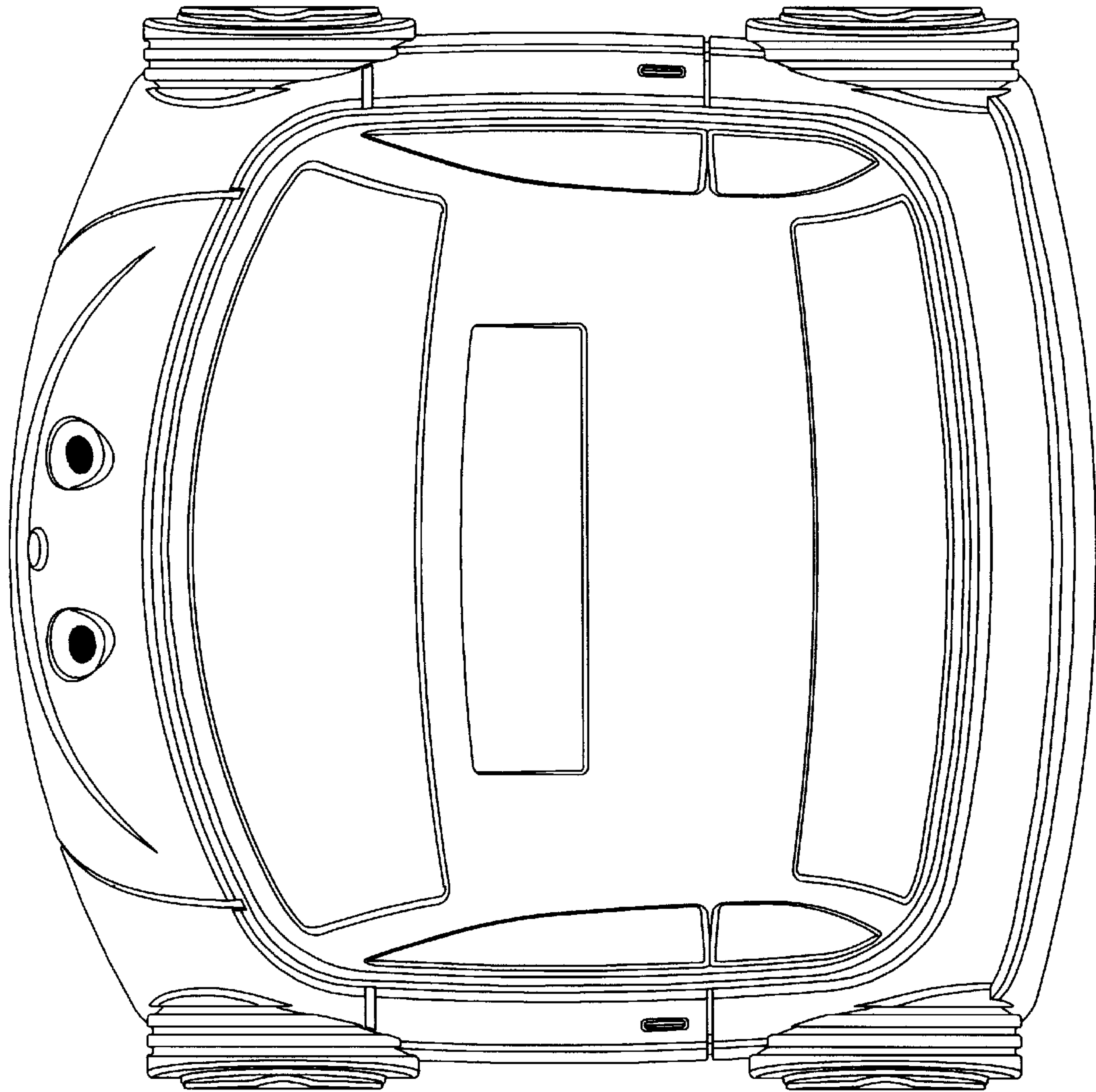


Fig. 2

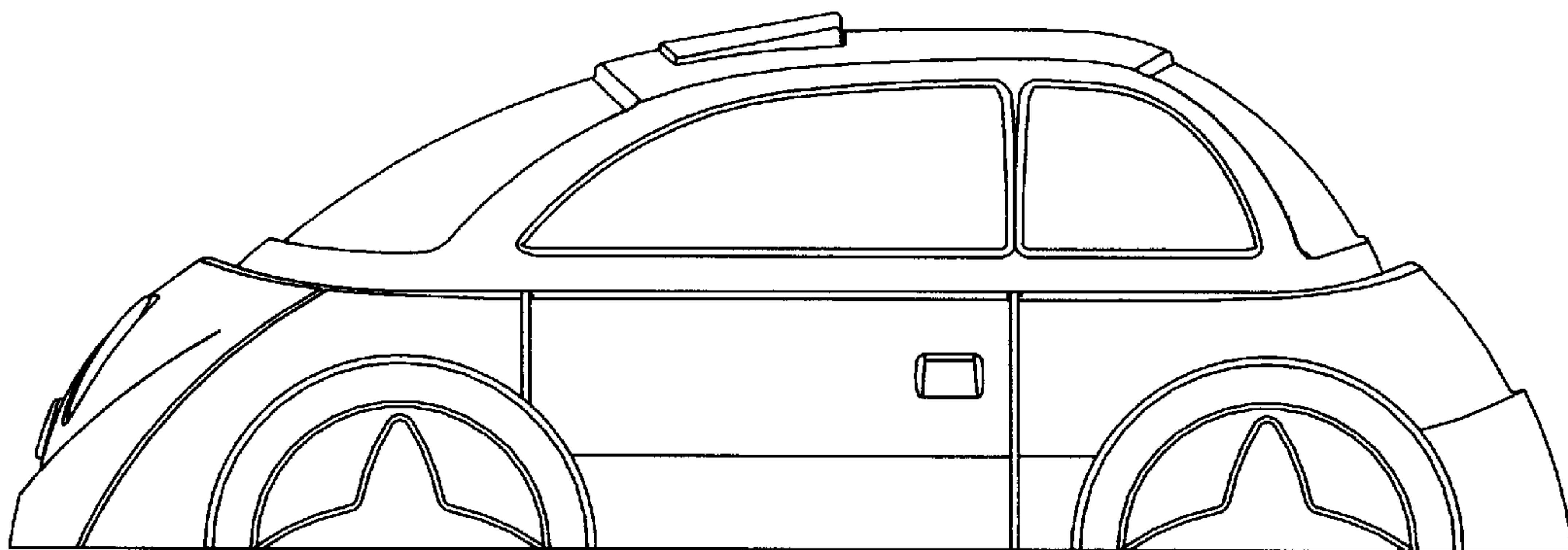


Fig. 3

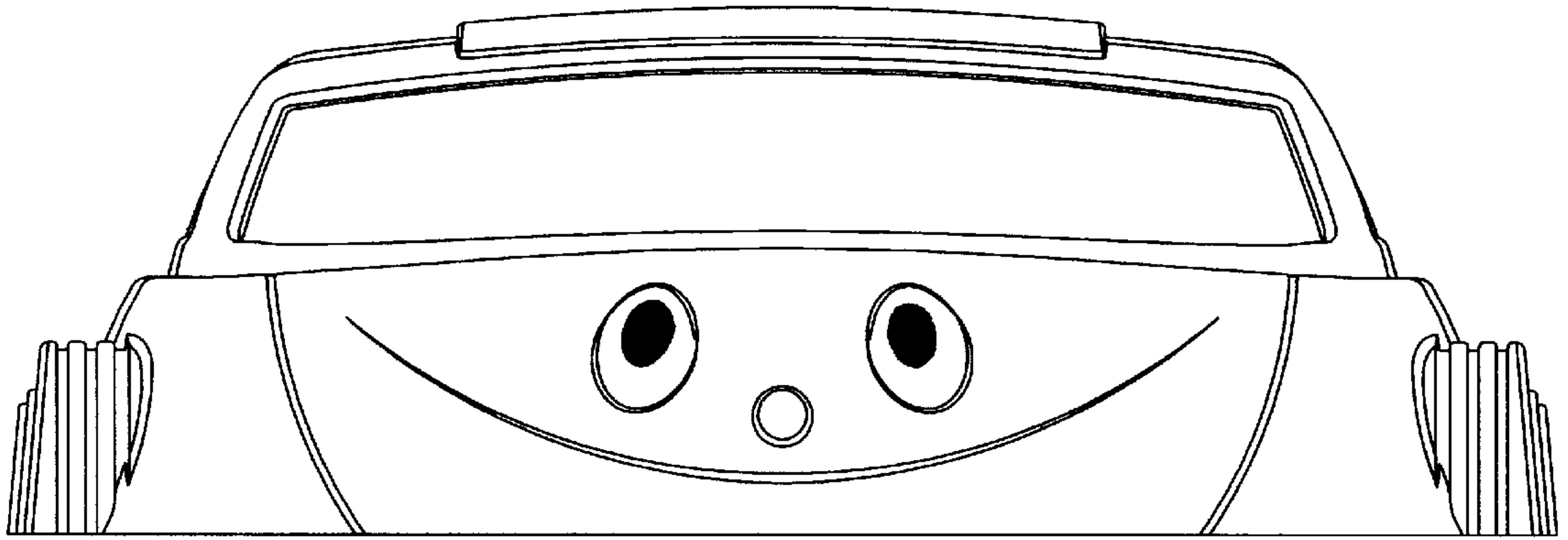


Fig. 4

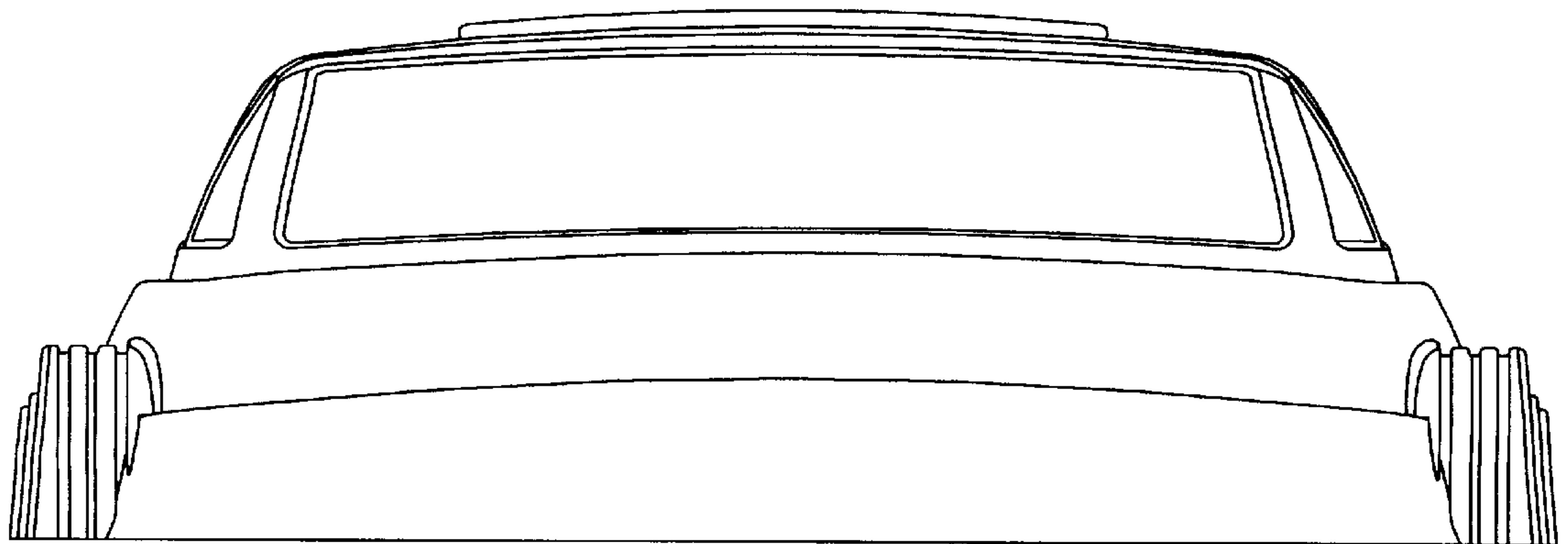


Fig. 5

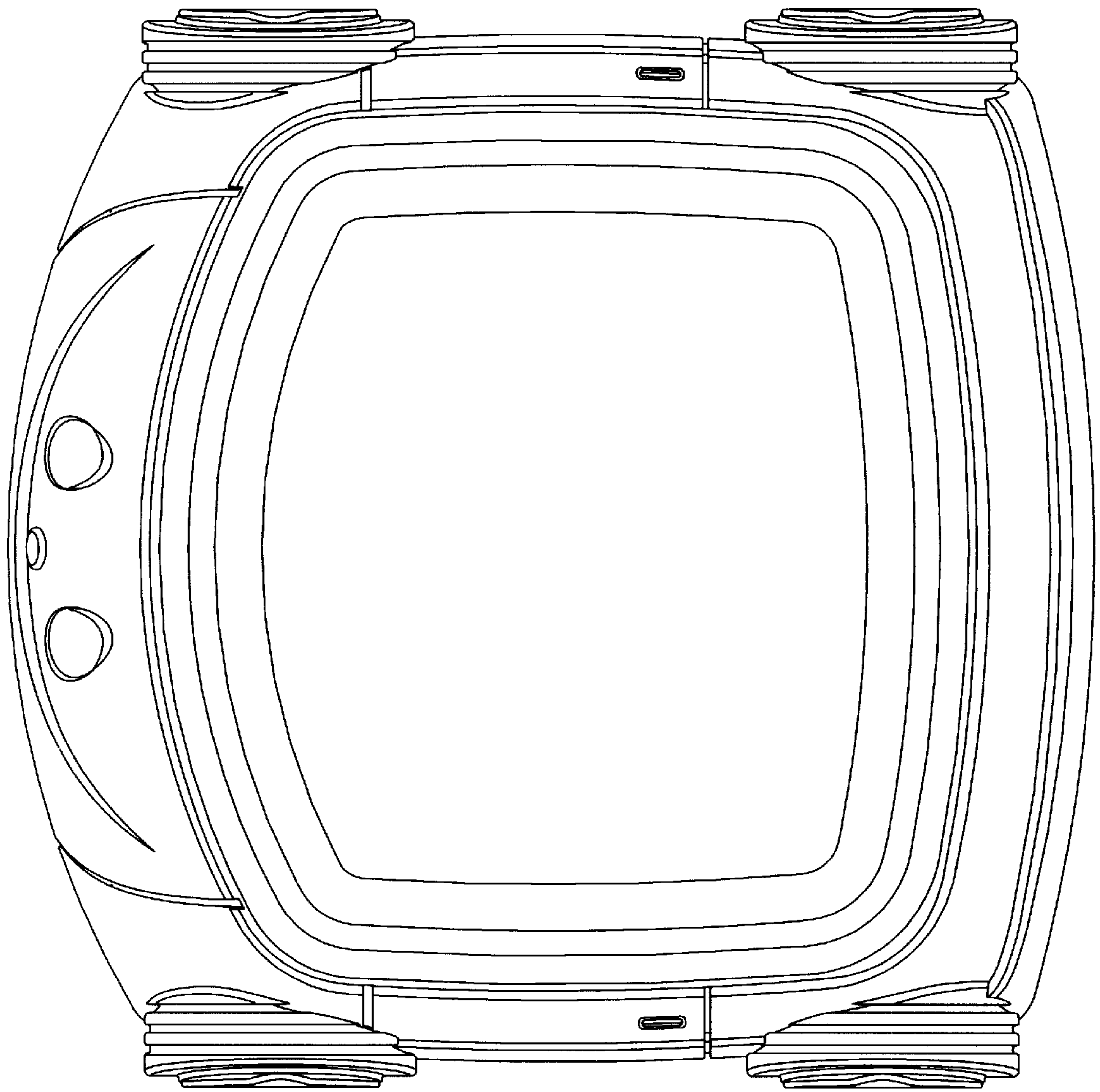


Fig. 6

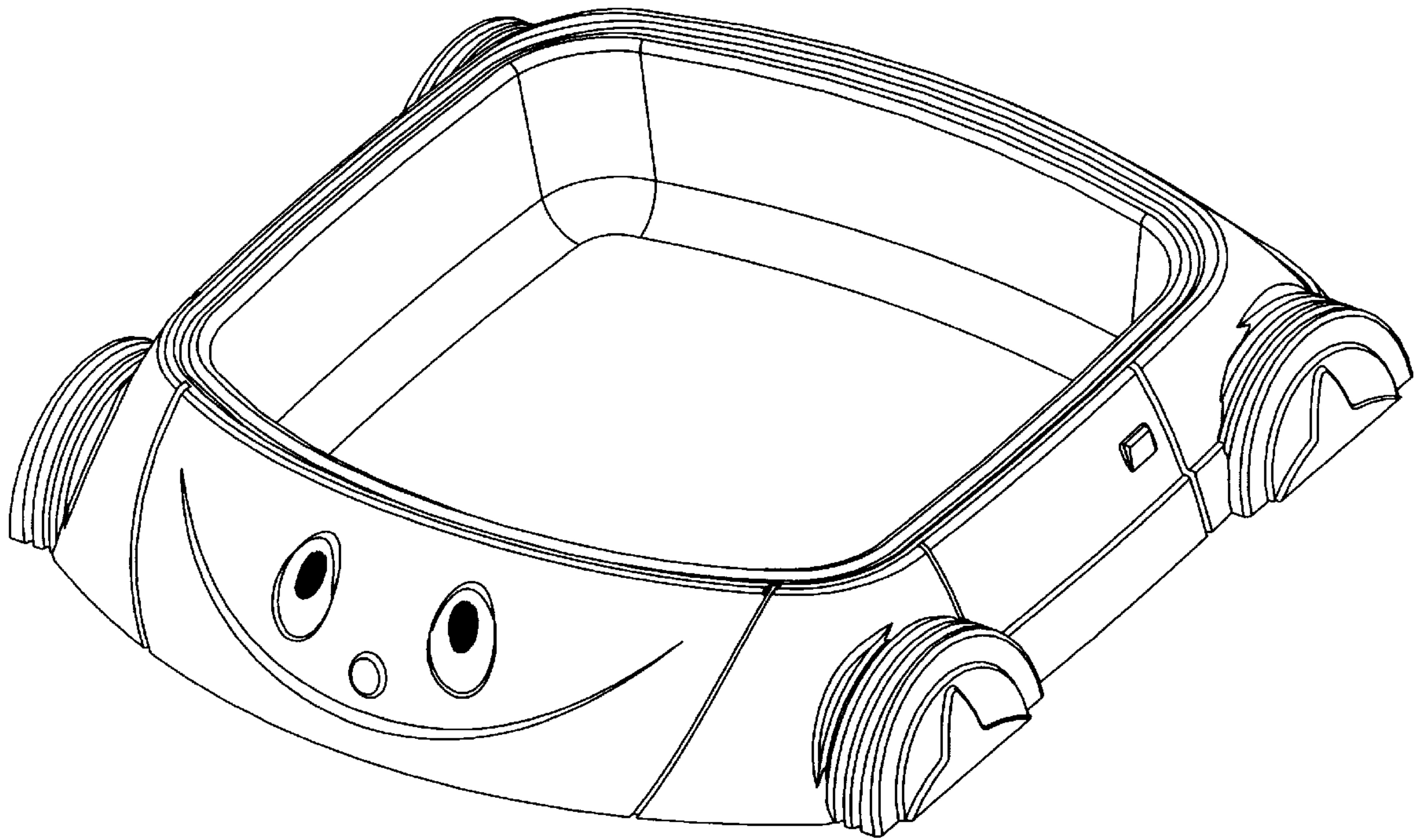


Fig. 7

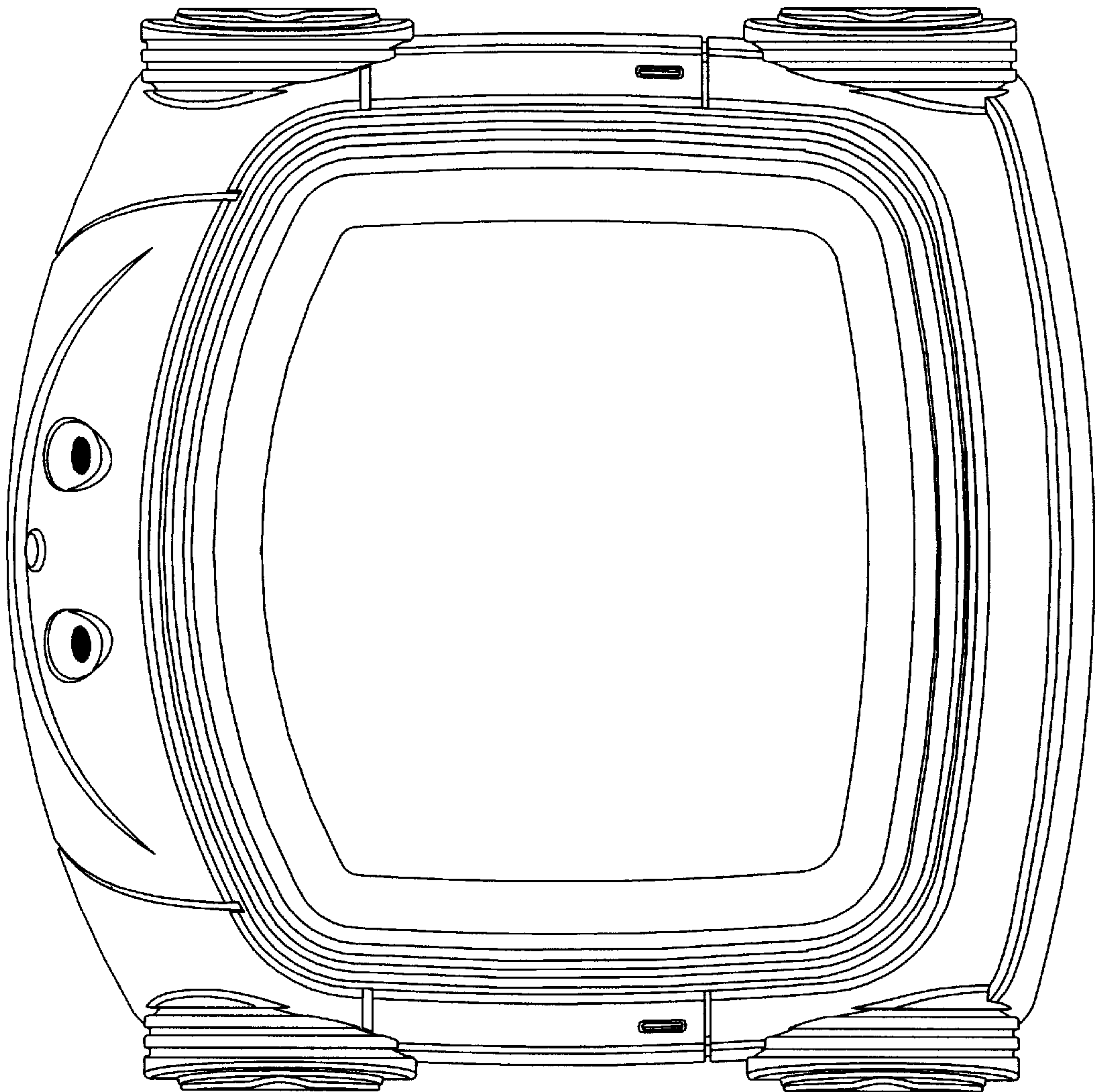


Fig. 8

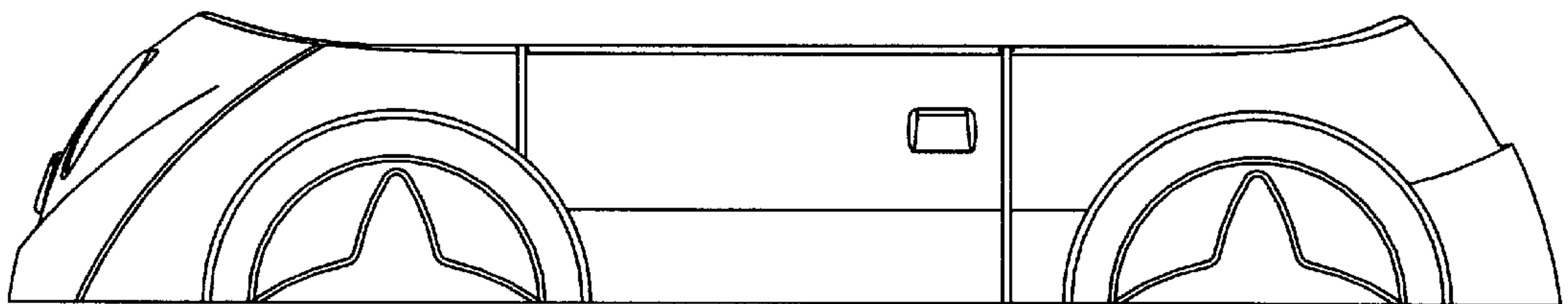


Fig. 9

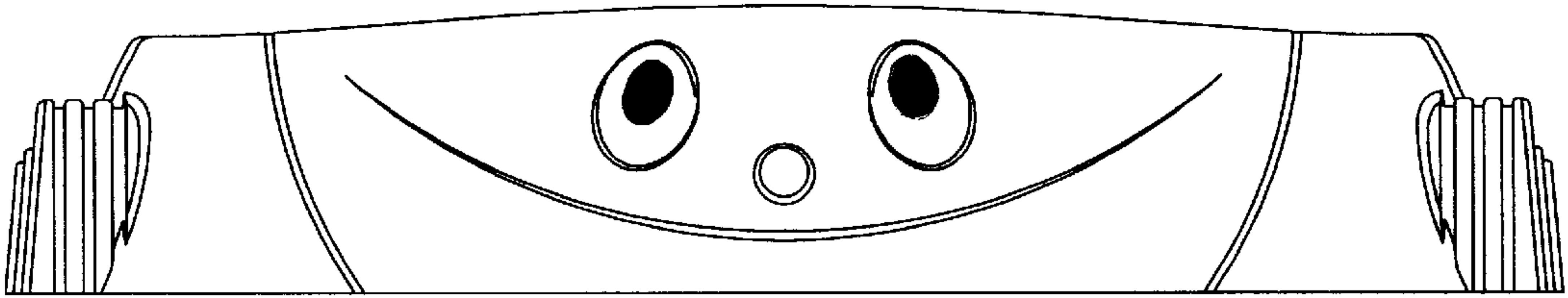


Fig. 10

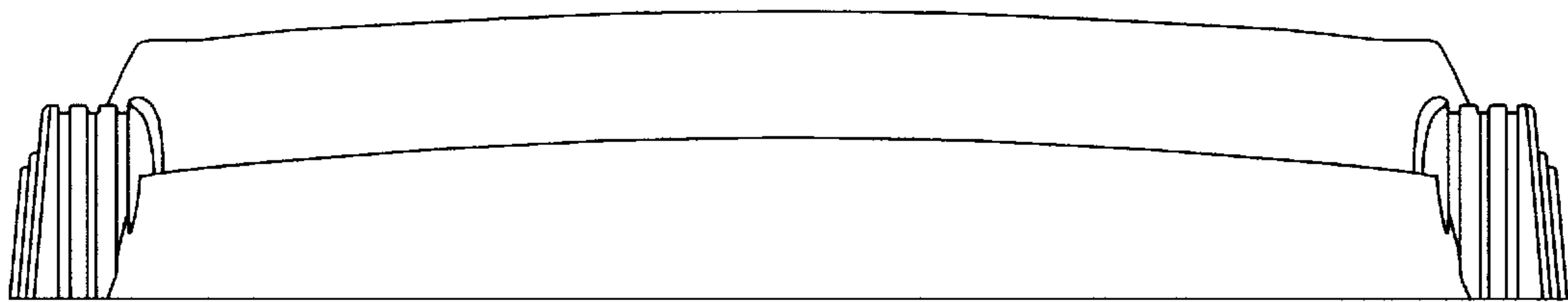


Fig. 11