



US00D454919S

(12) **United States Design Patent**
Ashida

(10) **Patent No.:** **US D454,919 S**
(45) **Date of Patent:** **** Mar. 26, 2002**

(54) **VIDEO GAME MACHINE**

(75) Inventor: **Kenichiro Ashida, Kyoto (JP)**

(73) Assignee: **Nintendo Co., Ltd. (JP)**

(**) Term: **14 Years**

(21) Appl. No.: **29/146,201**

(22) Filed: **Aug. 7, 2001**

Related U.S. Application Data

(62) Division of application No. 29/128,262, filed on Jul. 31, 2000.

(30) **Foreign Application Priority Data**

Jan. 31, 2000	(JP)	2000-001419
Jan. 31, 2000	(JP)	2000-001424
Jan. 31, 2000	(JP)	2000-001425
Jan. 31, 2000	(JP)	2000-001426
Jan. 31, 2000	(JP)	2000-001427
Jan. 31, 2000	(JP)	2000-001428
Jan. 31, 2000	(JP)	2000-001429

(51) **LOC (7) Cl.** **21-01**

(52) **U.S. Cl.** **D21/332**

(58) **Field of Search** D21/324-333;
D14/400, 496, 435; 273/148 B; 463/1,
29-35, 43-47

(56) **References Cited**

U.S. PATENT DOCUMENTS

D275,971 S 10/1984 Yokoi

D280,834 S	10/1985	Yokoi	
4,639,225 A	* 1/1987	Washizuka 273/148 B
D299,726 S	2/1989	Yukawa	
D324,548 S	3/1992	Ashida	
D333,686 S	3/1993	Barr et al.	
5,192,082 A	* 3/1993	Inoue et al. 463/46
D350,992 S	9/1994	Barr	
D367,895 S	* 3/1996	Goto D21/332
D379,832 S	6/1997	Ashida	
D393,884 S	* 4/1998	Hayami D21/332
D402,328 S	12/1998	Ashida	
D407,761 S	4/1999	Barr	
5,964,661 A	* 10/1999	Dodge 273/148 B
D419,200 S	* 1/2000	Ashida D21/332

* cited by examiner

Primary Examiner—Prabhakar Deshmukh
(74) *Attorney, Agent, or Firm*—Nixon & Vanderhye P.C.

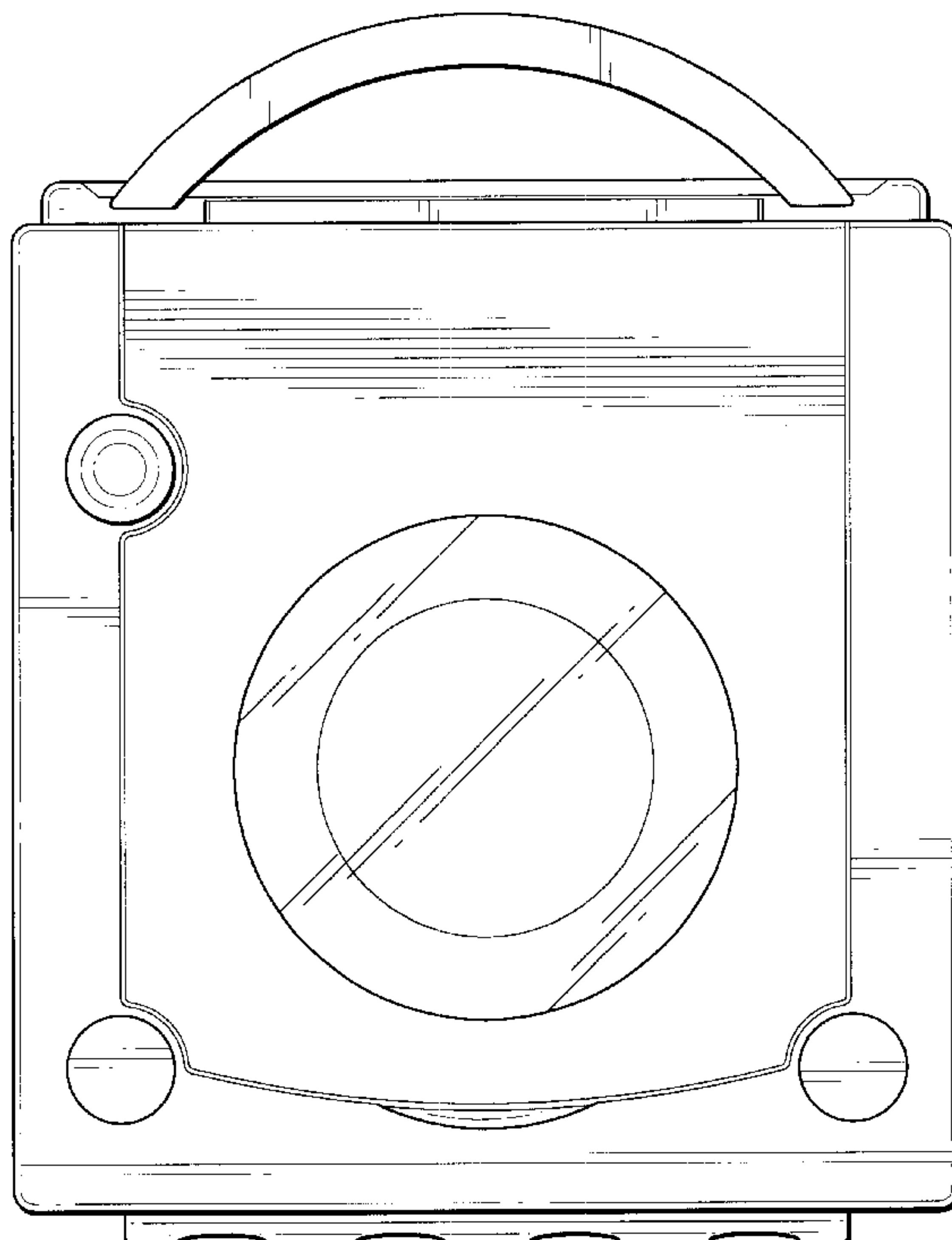
(57) **CLAIM**

The ornamental design for a video game machine, as shown and described.

DESCRIPTION

FIG. 1 is a top plan view of a video game machine showing my new design;
FIG. 2 is a front elevational view thereof;
FIG. 3 is a bottom plan view thereof;
FIG. 4 is a rear elevational view thereof;
FIG. 5 is a right side view thereof; and,
FIG. 6 is a left side view thereof.

1 Claim, 5 Drawing Sheets



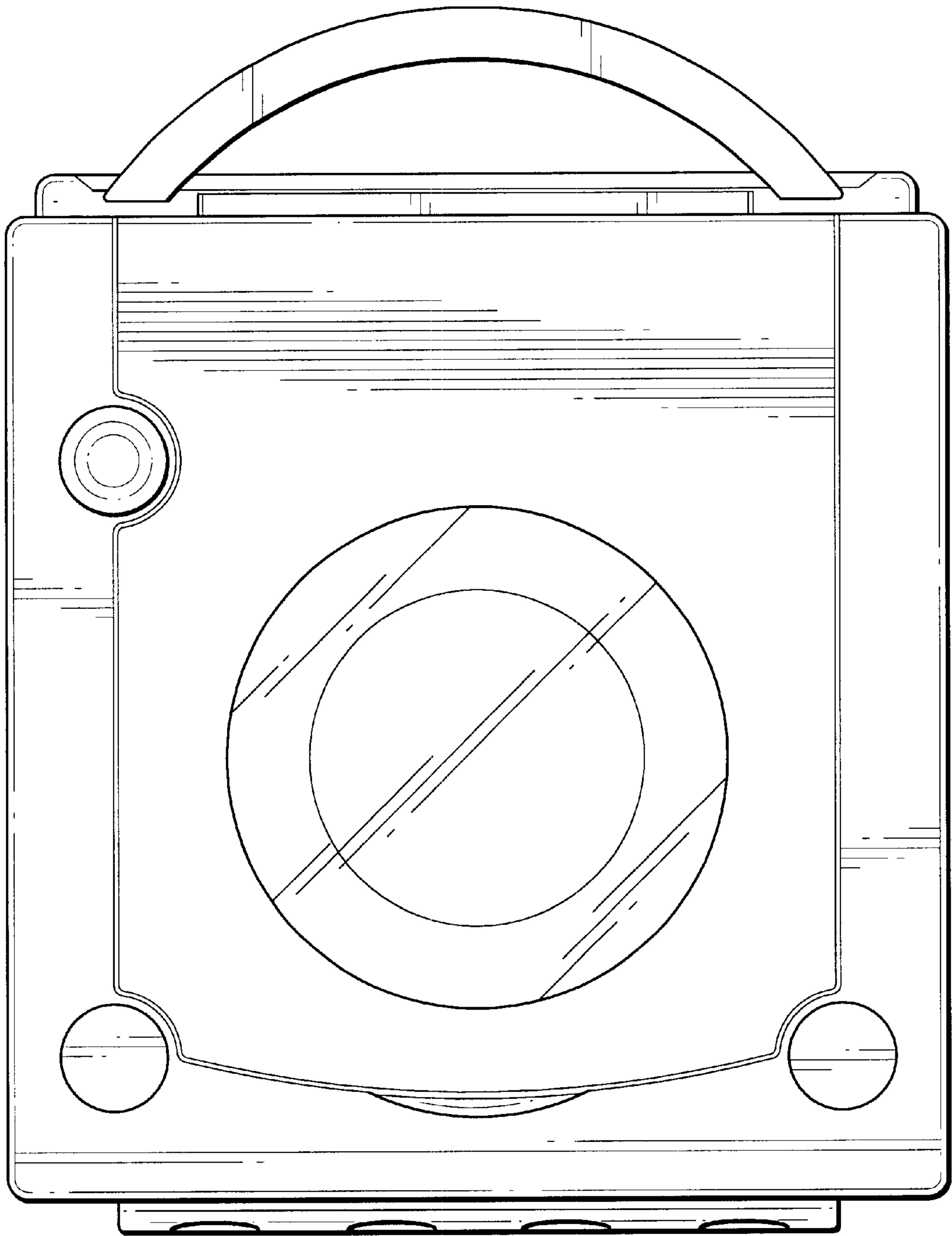


Fig. 1

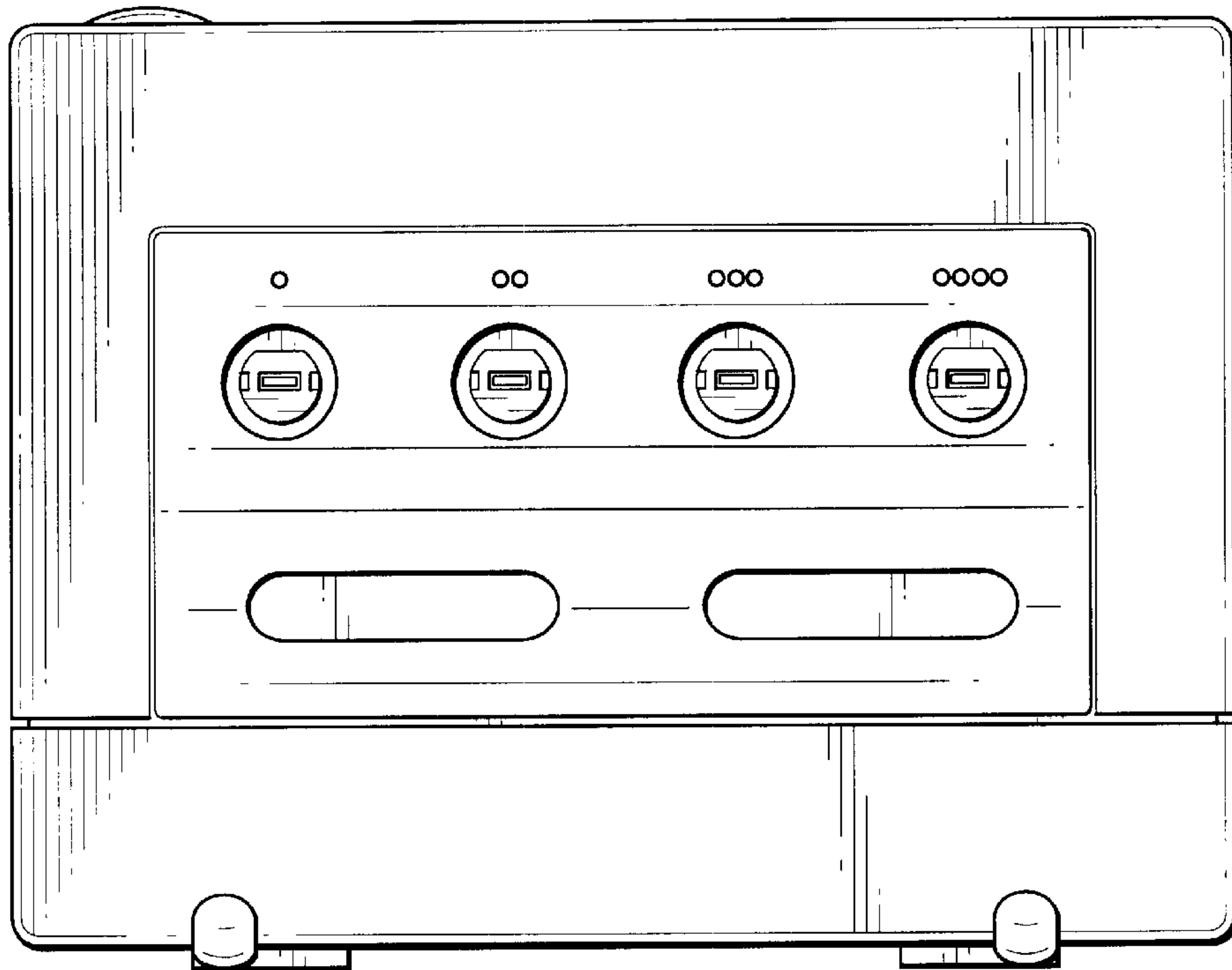


Fig. 2

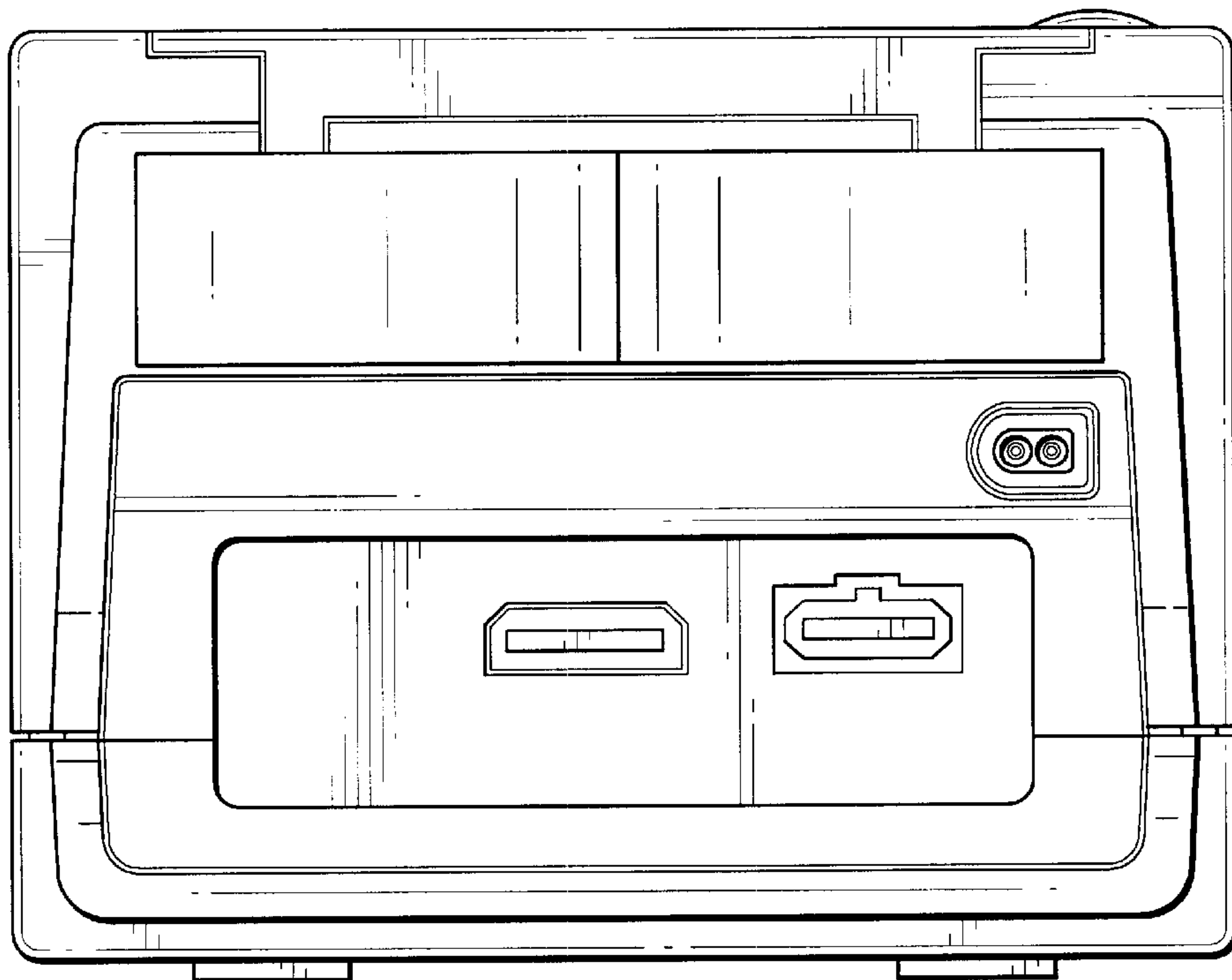


Fig. 4

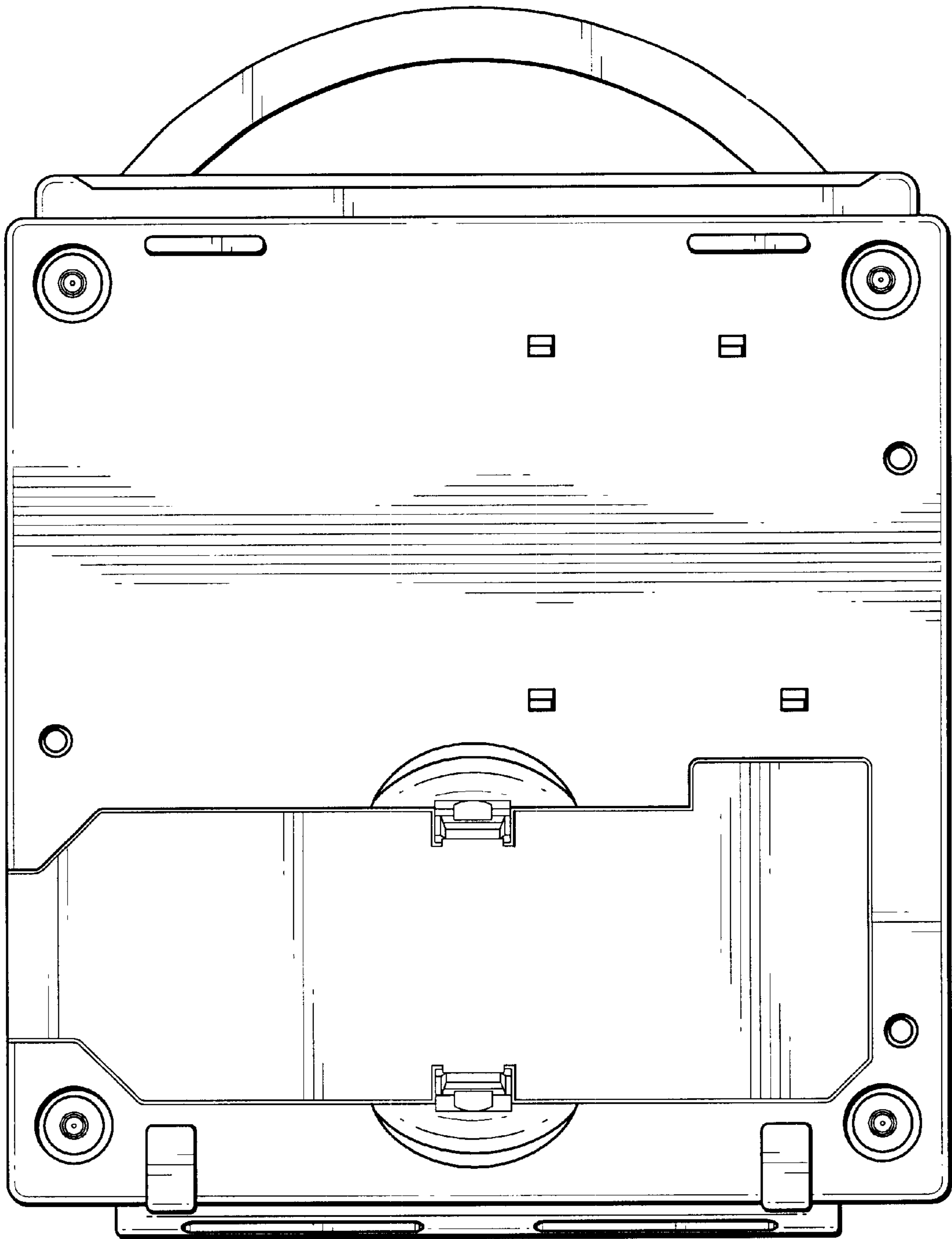


Fig. 3

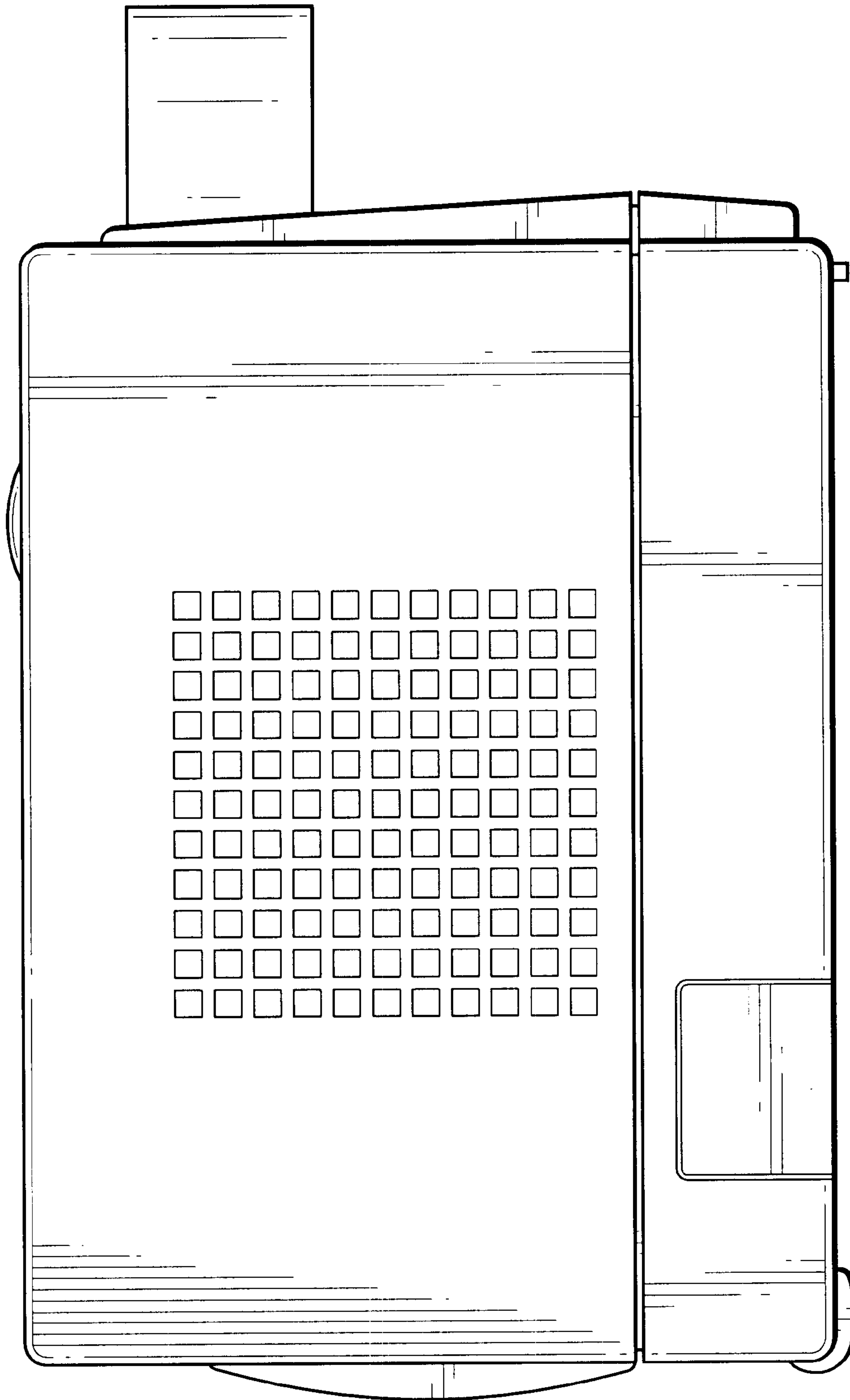


Fig. 5

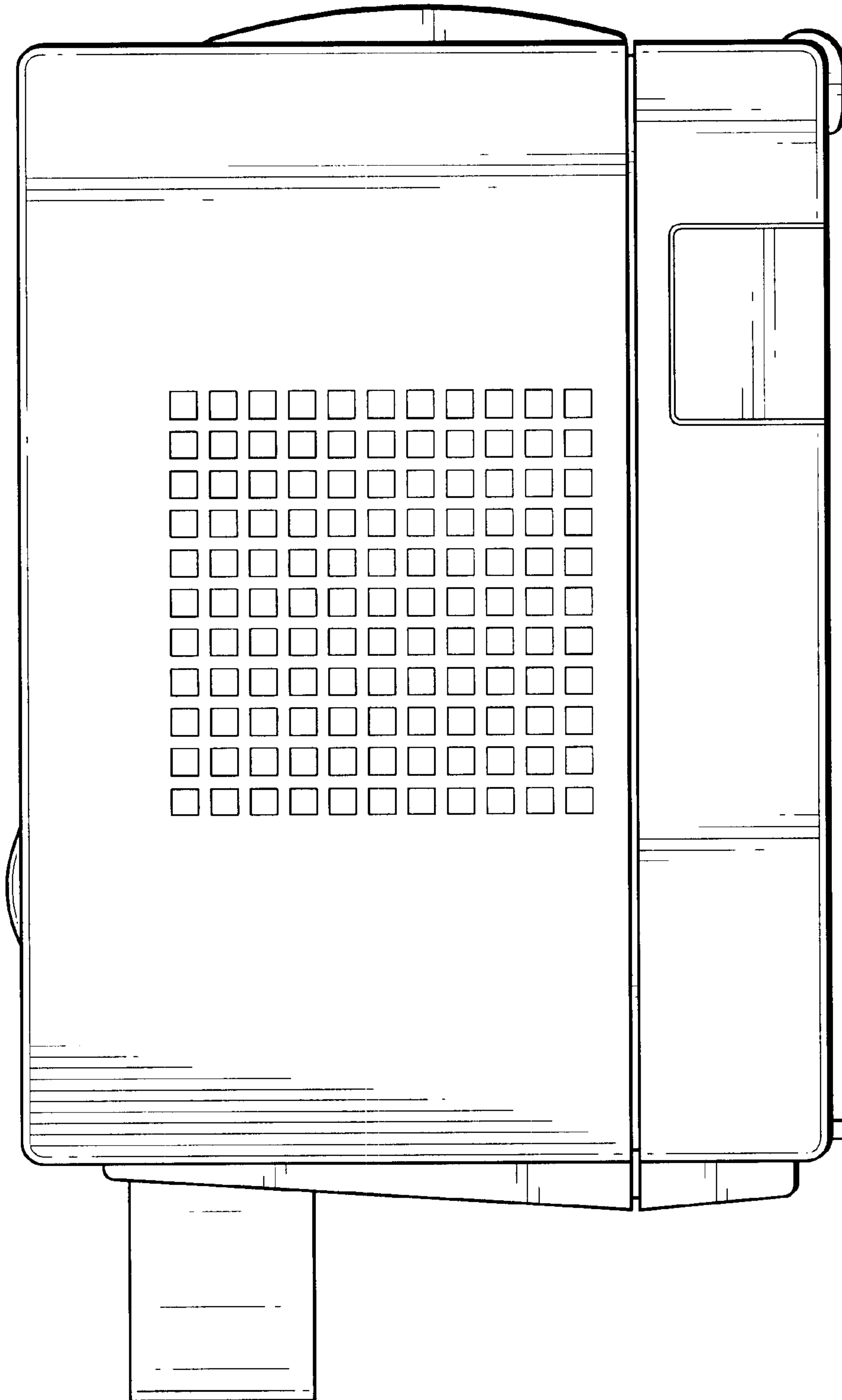


Fig. 6