



US00D454918S

(12) **United States Design Patent**
Wamsley et al.

(10) **Patent No.:** **US D454,918 S**
(45) **Date of Patent:** **** Mar. 26, 2002**

(54) **UPRIGHT SIGN HOLDER**

(75) Inventors: **Stephen D. Wamsley**, Lakewood; **Paul A. Mueller**, Wadsworth, both of OH (US)

(73) Assignee: **Fasteners For Retail, Inc.**, Cleveland, OH (US)

(**) Term: **14 Years**

(21) Appl. No.: **29/138,933**

(22) Filed: **Mar. 22, 2001**

(51) **LOC (7) Cl.** **20-02**

(52) **U.S. Cl.** **D20/43**

(58) **Field of Search** D20/10, 39, 40, D20/42, 43, 44; 40/1, 1.6, 642, 643, 644, 649, 650, 658, 661, 662; 248/295.1, 297.2, 298, 299; D25/119, 122, 124

(56) **References Cited**

U.S. PATENT DOCUMENTS

- D220,257 S * 3/1971 Schooler D20/43
- 4,557,064 A 12/1985 Thompson
- D311,583 S * 10/1990 Shell D25/119
- D322,634 S * 12/1991 Callas D20/44
- D372,939 S * 8/1996 Callas D20/43

OTHER PUBLICATIONS

Fasteners For Retail Brochure entitled "FFR Yellow Pages—The World's Largest Resource For Display Accessories and Custom Solutions", Cover, pp. 17, 38–40, 59, 61, 73, 77–81, 87–89, 91, 93–94, 100–104, 106, 124, 163–165, 177–179.

* cited by examiner

Primary Examiner—Marcus A. Jackson

(74) *Attorney, Agent, or Firm*—Fay, Sharpe, Fagan, Minnich & McKee, LLP

(57) **CLAIM**

The ornamental design for an upright sign holder, as shown and described.

DESCRIPTION

FIG. 1 is a perspective view of an upright sign holder showing our new design;

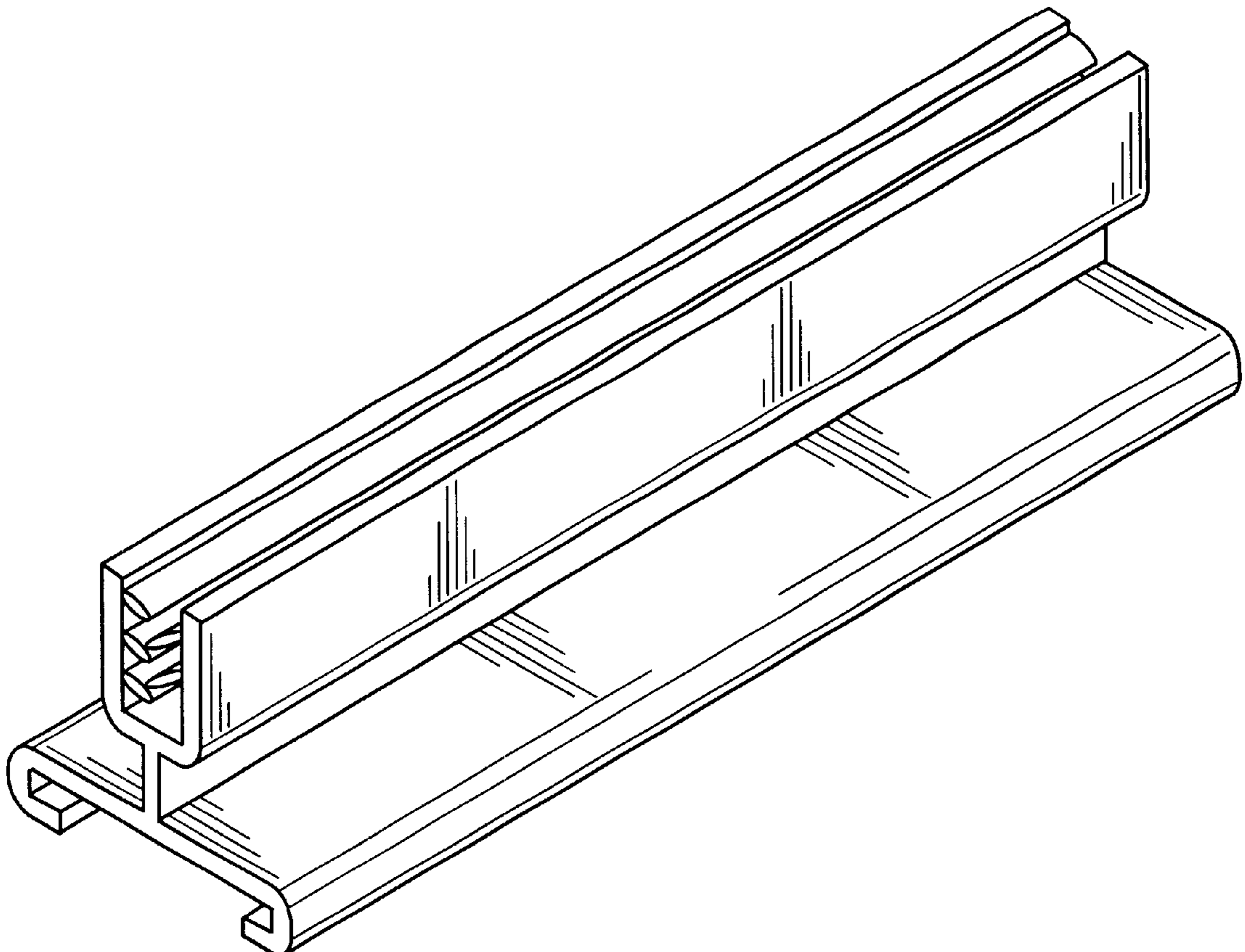
FIG. 2 is an end elevational view thereof from a front end, the rear end elevational view being a mirror image thereof;

FIG. 3 is a top plan view thereof;

FIG. 4 is a left side elevational view thereof, with a right side elevational view being identical thereto; and,

FIG. 5 is a bottom plan view thereof.

1 Claim, 2 Drawing Sheets



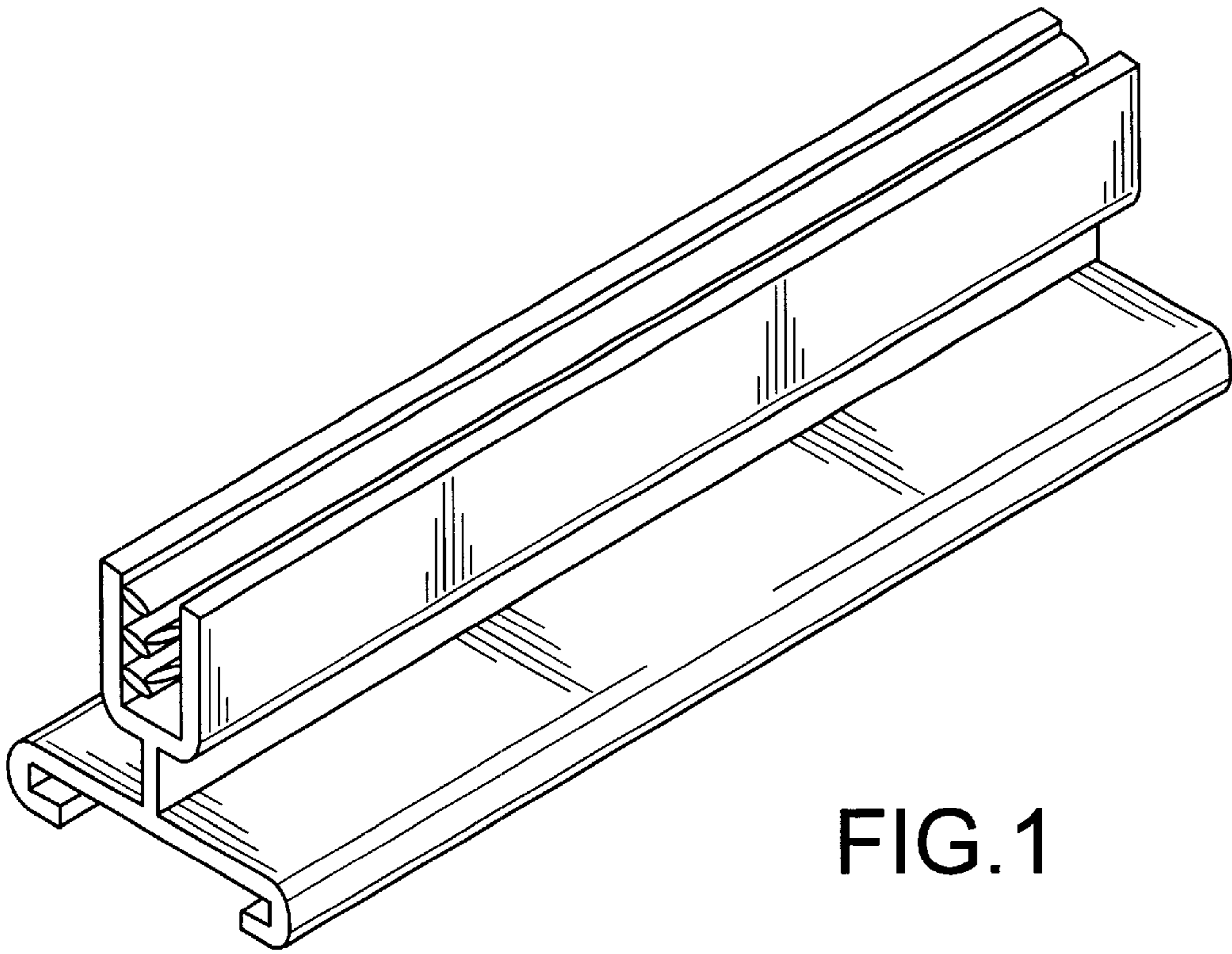


FIG. 1

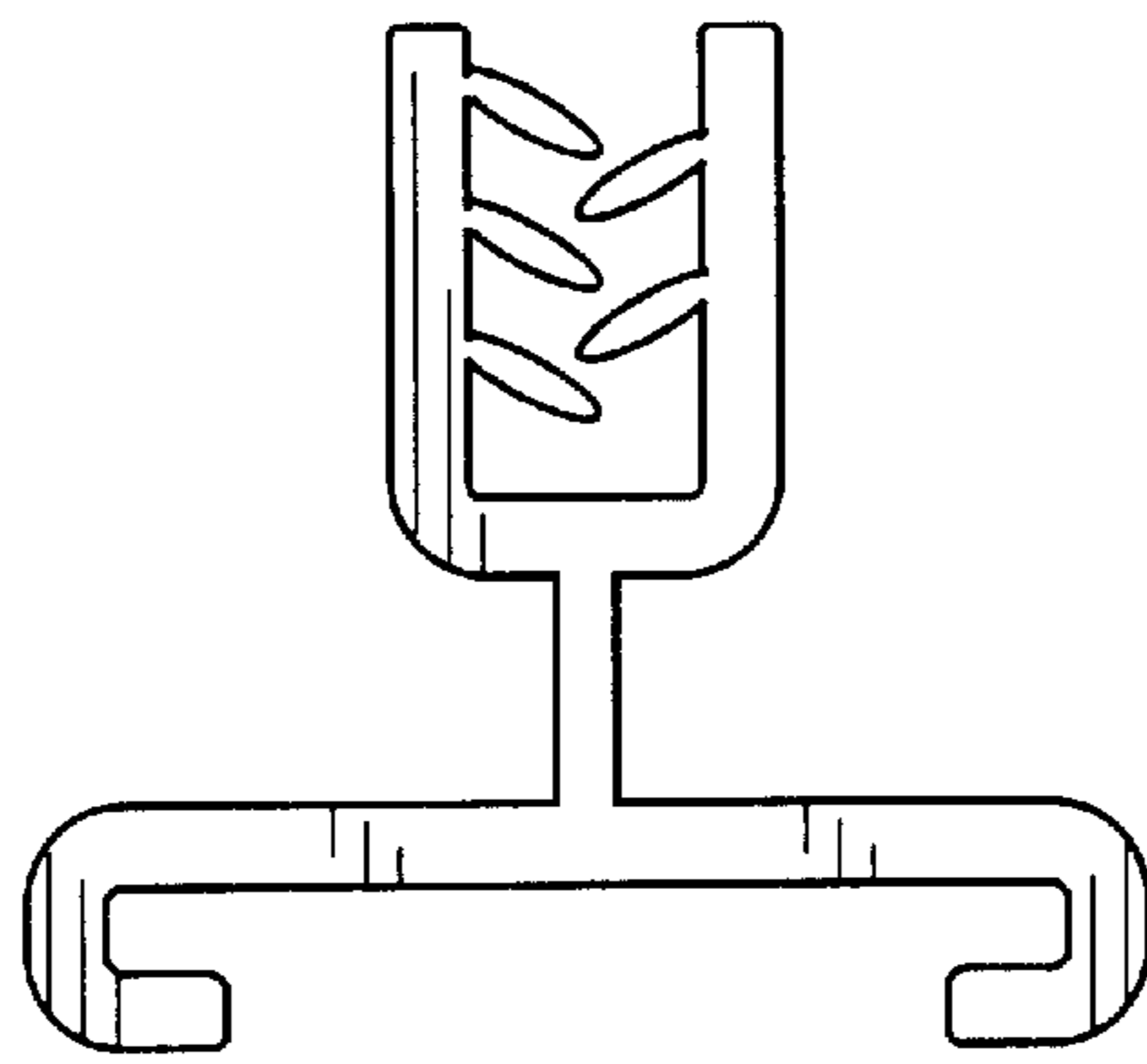


FIG. 2

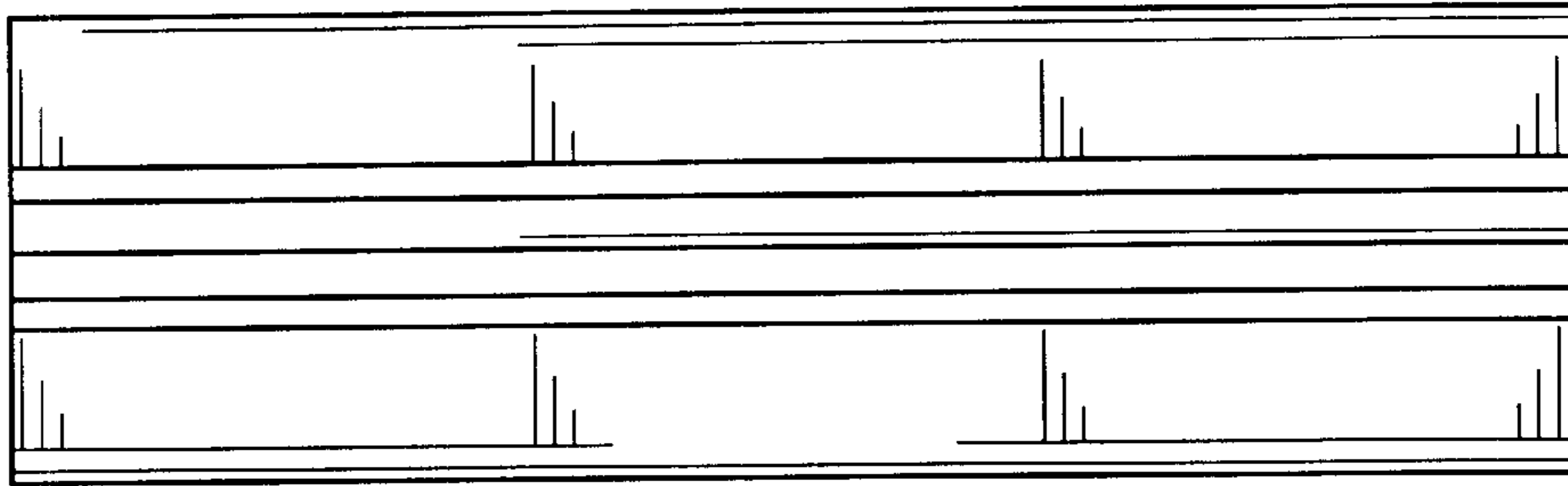


FIG. 3

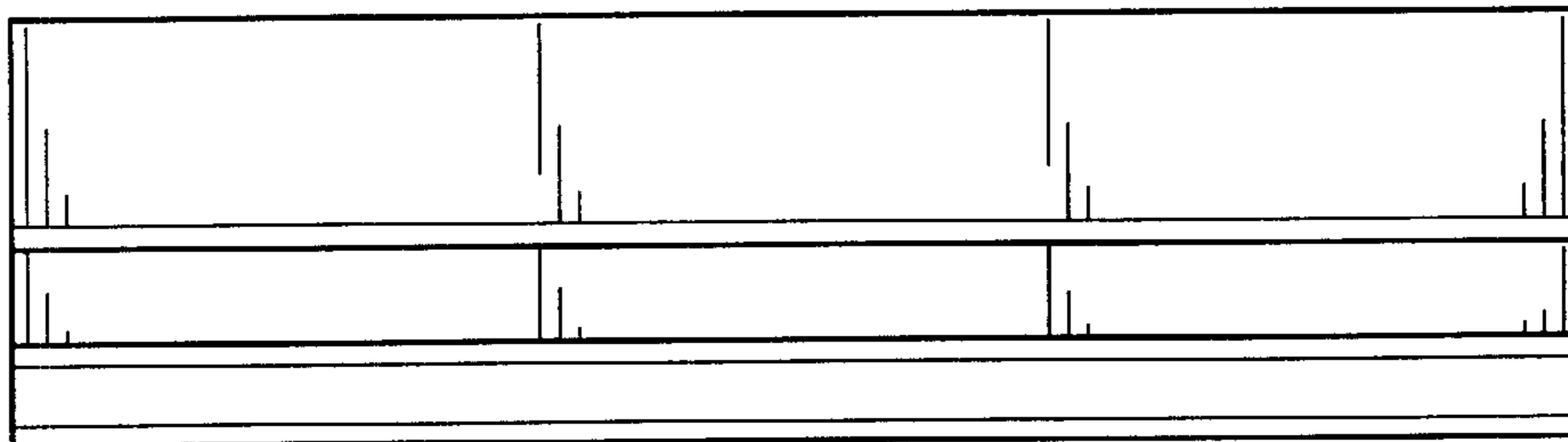


FIG. 4

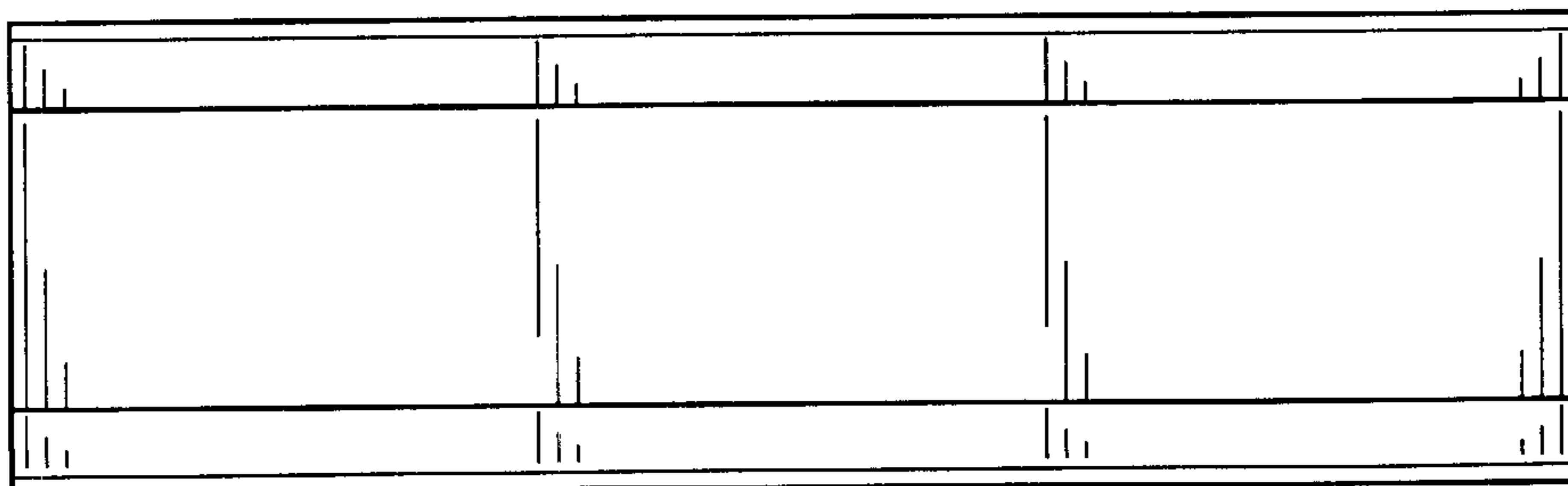


FIG. 5