



US00D454917S

(12) **United States Design Patent**  
**Mueller**

(10) **Patent No.:** **US D454,917 S**

(45) **Date of Patent:** **\*\* Mar. 26, 2002**

(54) **THREE DIMENSIONAL SIGN HOLDER**

73, 77-81; 87-89, 91, 93-94, 100-104, 106, 124, 163-165, 177-179 (Circa Mar. 2000).

(75) Inventor: **Paul A. Mueller**, Wadsworth, OH (US)

\* cited by examiner

(73) Assignee: **Fasteners For Retail, Inc.**, Cleveland, OH (US)

*Primary Examiner*—Marcus A. Jackson

(\*\*) Term: **14 Years**

(74) *Attorney, Agent, or Firm*—Fay, Sharpe, Fagan, Minnich & McKee, LLP

(21) Appl. No.: **29/138,987**

(57) **CLAIM**

(22) Filed: **Mar. 22, 2001**

The ornamental design for a three dimensional sign holder, as shown and described.

(51) **LOC (7) Cl.** ..... **20-02**

(52) **U.S. Cl.** ..... **D20/42**

(58) **Field of Search** ..... D20/10, 39, 40, D20/41, 42, 43; 40/1, 124.1, 124.2, 124.4, 641, 649, 658, 642

**DESCRIPTION**

(56) **References Cited**

**U.S. PATENT DOCUMENTS**

2,984,031	A	*	5/1961	Giesecke	.....	40/124.1
4,557,064	A		12/1985	Thompson		
D338,241	S	*	8/1993	Landa	.....	D20/43
D379,201	S	*	5/1997	Sandy	.....	D20/43
D386,214	S	*	11/1997	Belokin et al.	.....	D20/42
D390,881	S	*	2/1998	Higgins	.....	D20/42
D422,643	S	*	4/2000	Goslin et al.	.....	D20/43
D424,120	S	*	5/2000	Wear	.....	D20/43

**OTHER PUBLICATIONS**

FASTENERS FOR RETAIL Brochure entitled "FFR Yellow Pages—The World's Largest Resource For Display Accessories and Custom Solutions", Cover, pp. 17, 38-40; 59, 61,

FIG. 1 is a perspective view of a three dimensional sign holder showing my new design as employed for holding a sign;

FIG. 2 is a perspective view of the sign holder as mounted on a suction cup;

FIG. 3 is a rear elevational view thereof;

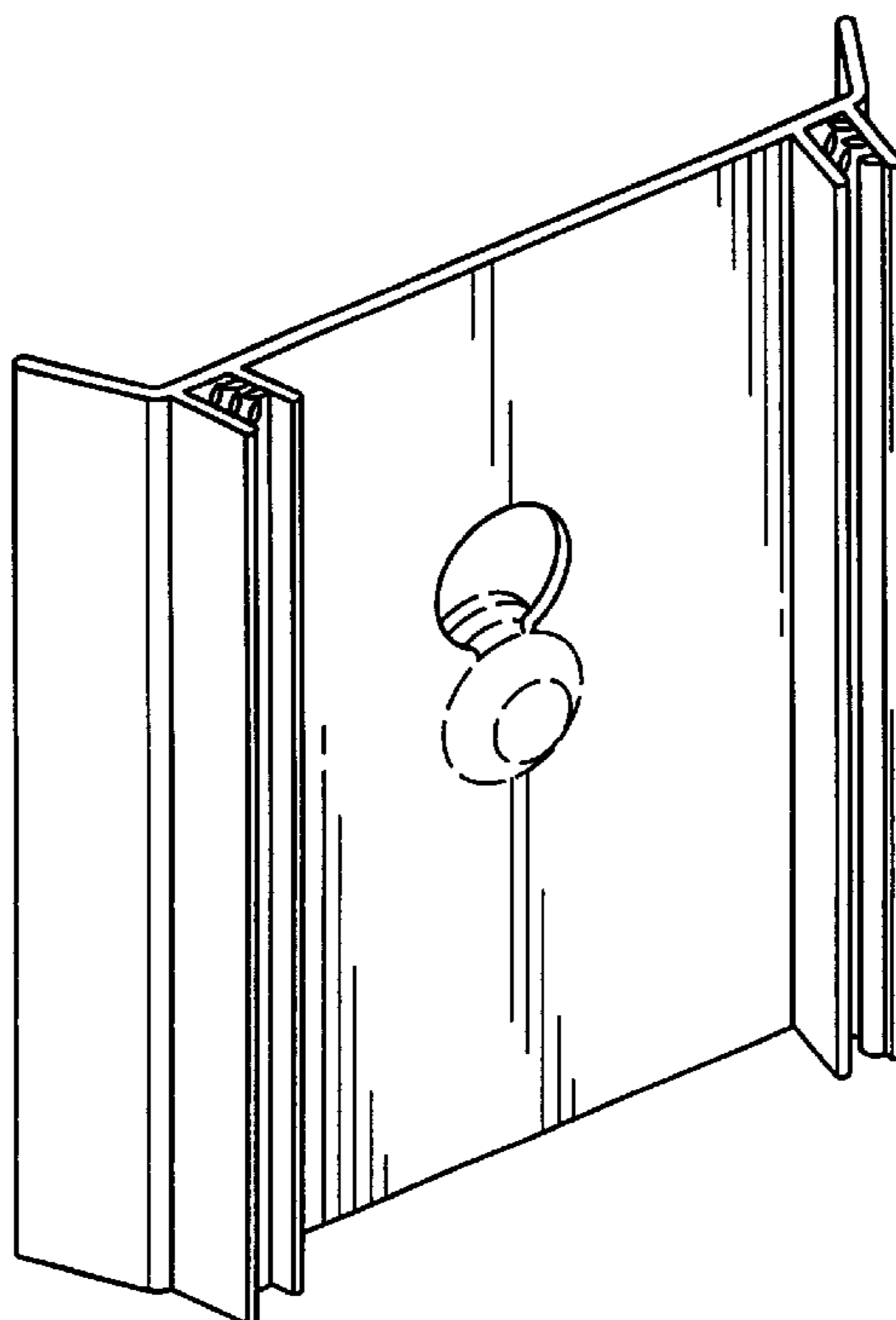
FIG. 4 is a right side elevational view thereof, with a left side elevational view being a mirror image thereof;

FIG. 5 is a top plan view thereof, with a bottom plan view being a mirror image thereof; and,

FIG. 6 is a rear elevational view thereof.

The parts shown in broken lines in FIGS. 1-3 and 5 are shown for illustrative purposes only and form no part of the claimed design.

**1 Claim, 2 Drawing Sheets**



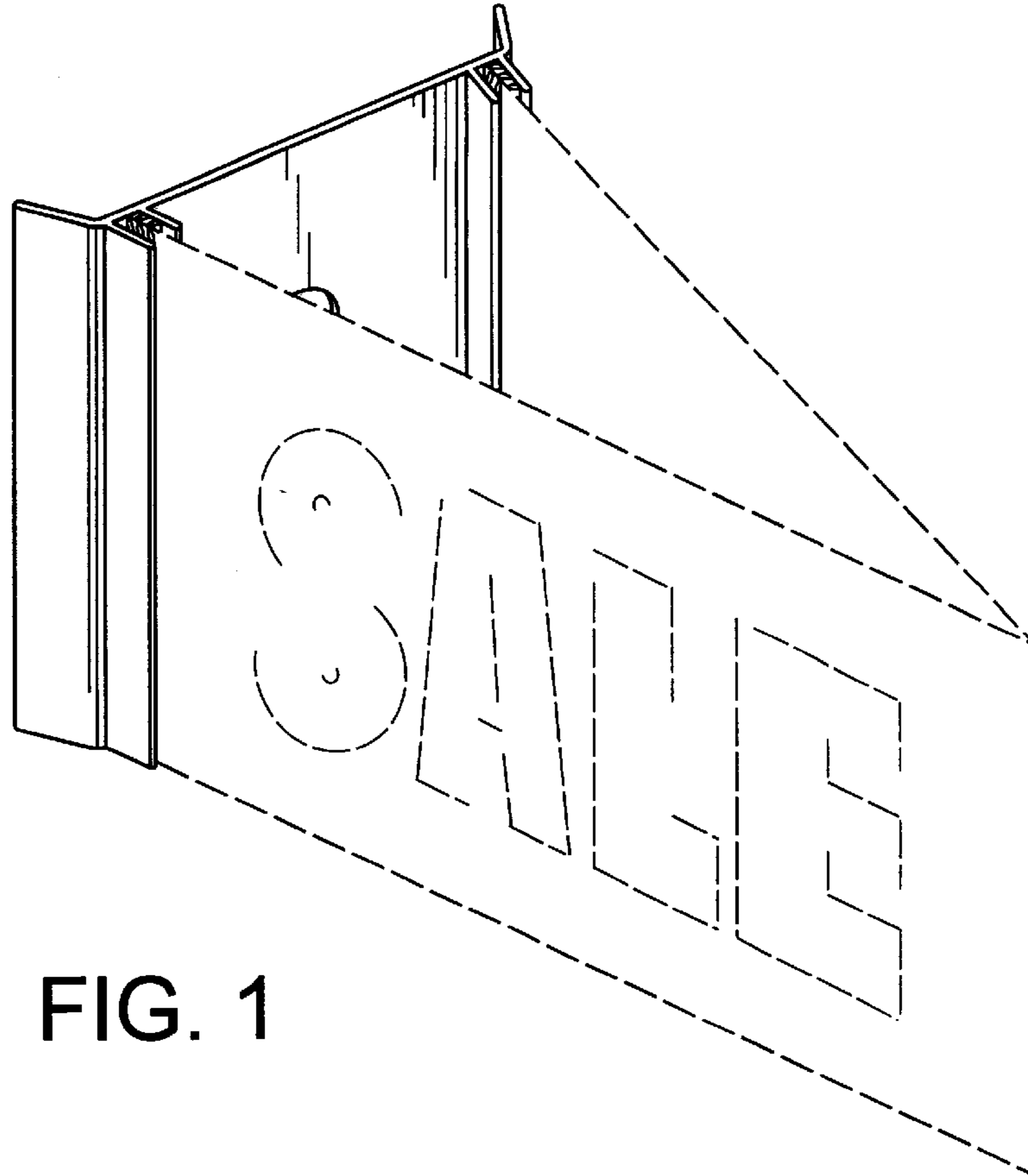


FIG. 1

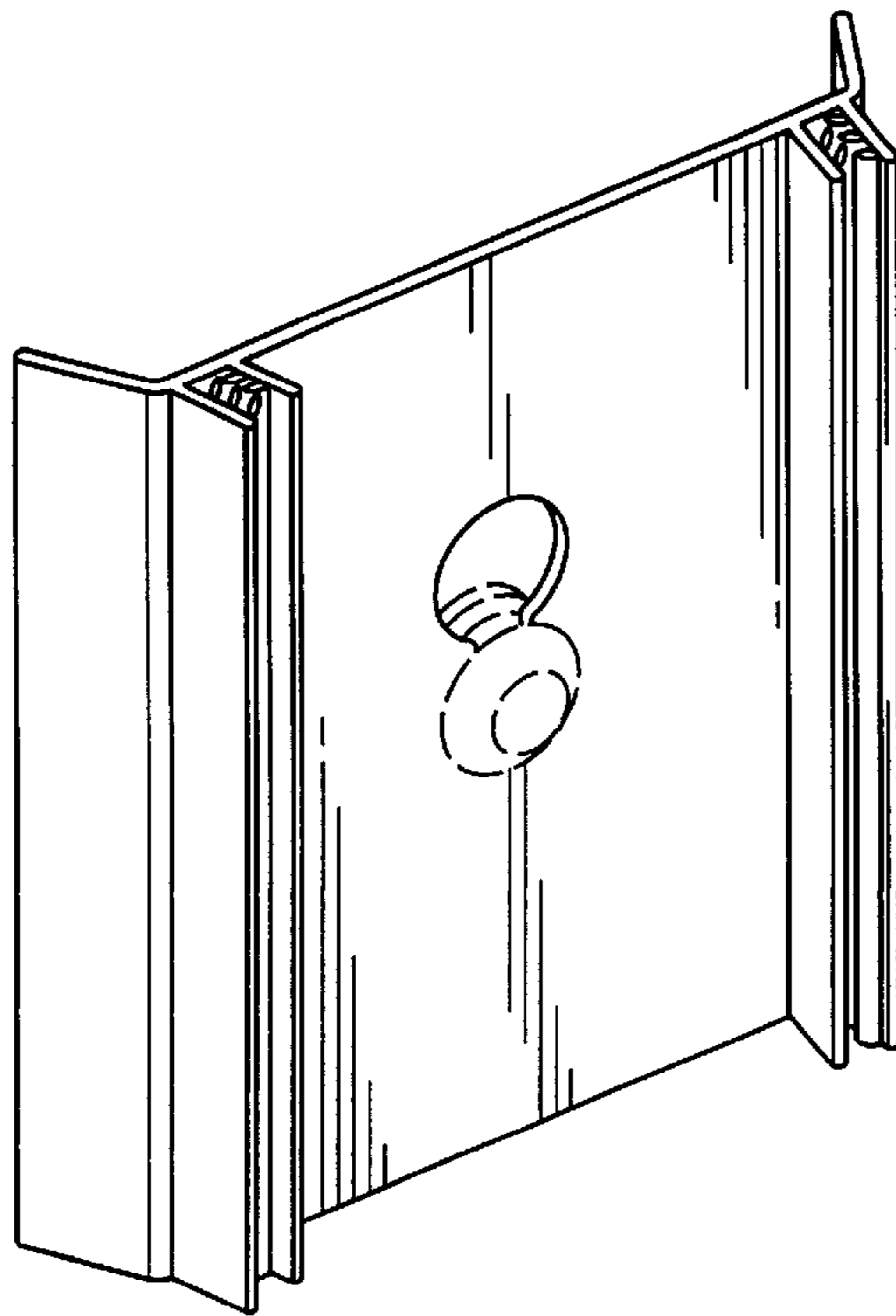


FIG. 2

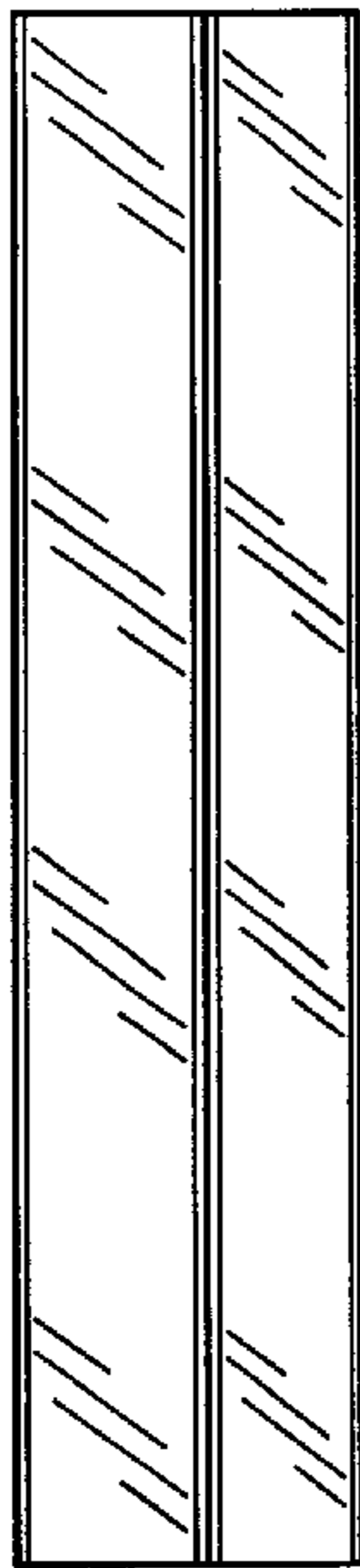


FIG. 4

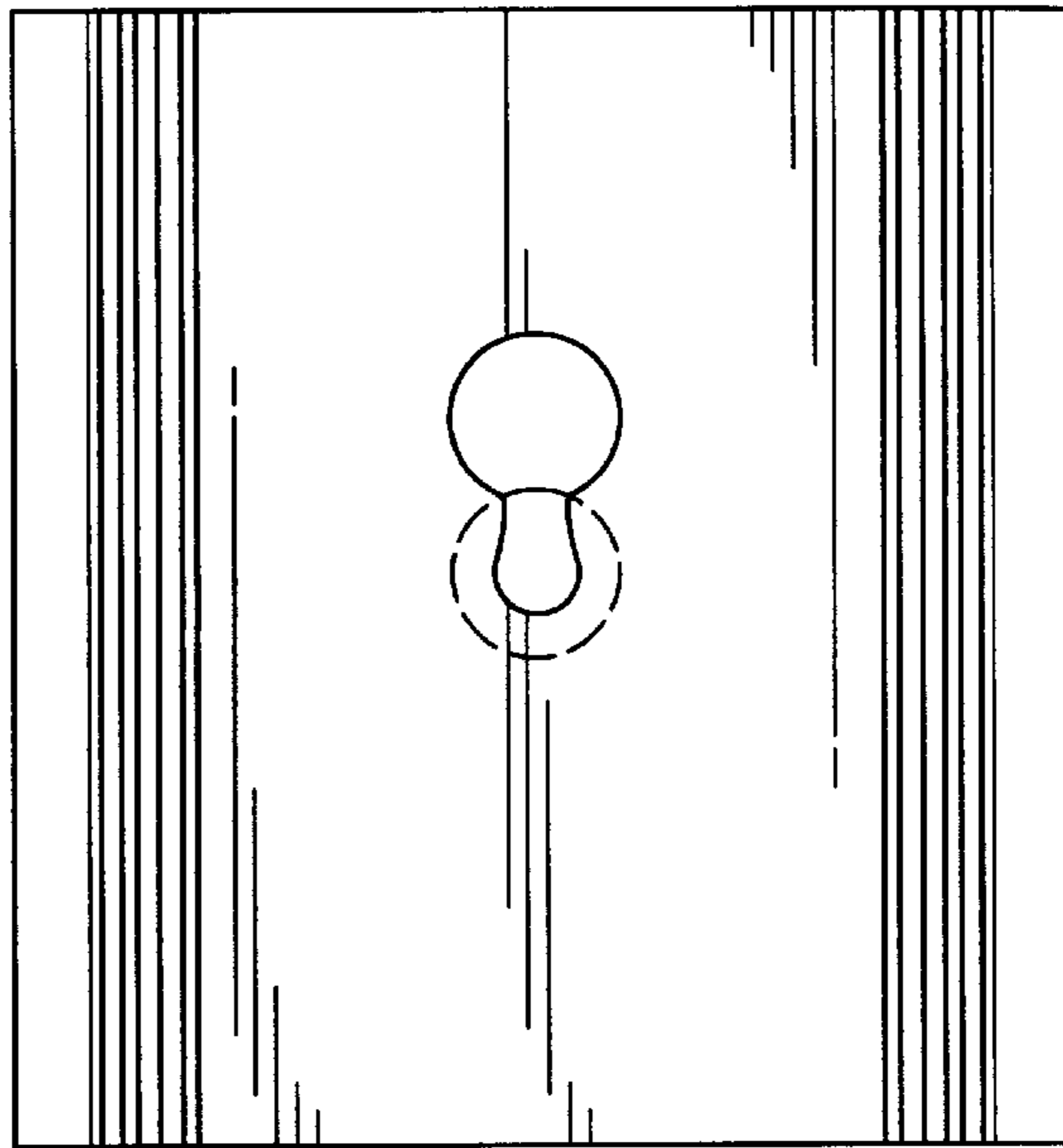


FIG. 3

FIG. 5

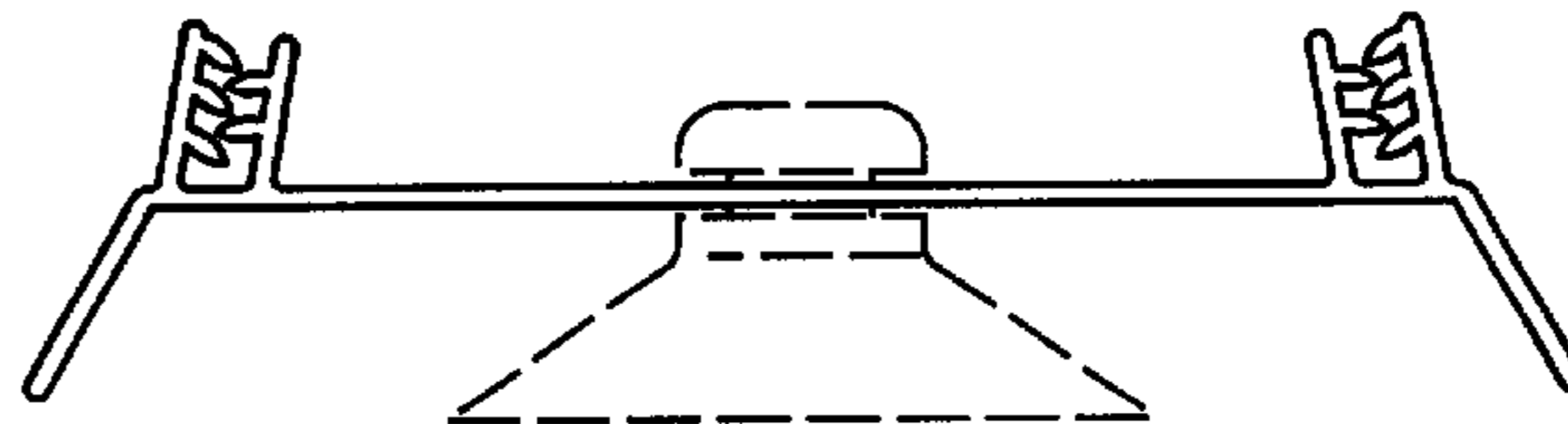


FIG. 6

