



US00D454916S

(12) **United States Design Patent**
Morrow

(10) **Patent No.:** **US D454,916 S**

(45) **Date of Patent:** **** Mar. 26, 2002**

(54) **FLEXIBLE DISPLAY UNIT**

(75) Inventor: **Lester Morrow**, Chanhassen, MN (US)

(73) Assignee: **Gage Marketing Group, LLC**,
Plymouth, MN (US)

(**) Term: **14 Years**

(21) Appl. No.: **29/139,664**

(22) Filed: **Apr. 4, 2001**

(51) **LOC (7) Cl.** **20-02**

(52) **U.S. Cl.** **D20/21**

(58) **Field of Search** D20/10, 21, 39,
D20/40, 41, 42; 40/584, 591, 592, 593,
600, 605, 606, 607, 611, 612, 624

(56) **References Cited**

U.S. PATENT DOCUMENTS

D310,245 S	*	8/1990	Von Canal	D20/21
D334,215 S	*	3/1993	Rowlands	D20/21
D386,214 S	*	11/1997	Belokin et al.	D20/21
D390,881 S	*	2/1998	Kiggins	D20/21

* cited by examiner

Primary Examiner—Marcus A. Jackson

(74) *Attorney, Agent, or Firm*—Oppenheimer Wolff &
Donnelly LLP; Steven C. Lieske

(57) **CLAIM**

The ornamental design for a flexible display unit, as shown and described.

DESCRIPTION

FIG. 1 is a perspective view of a flexible display unit, showing my new design;

FIG. 2 is a front view thereof;

FIG. 3 is a rear view thereof;

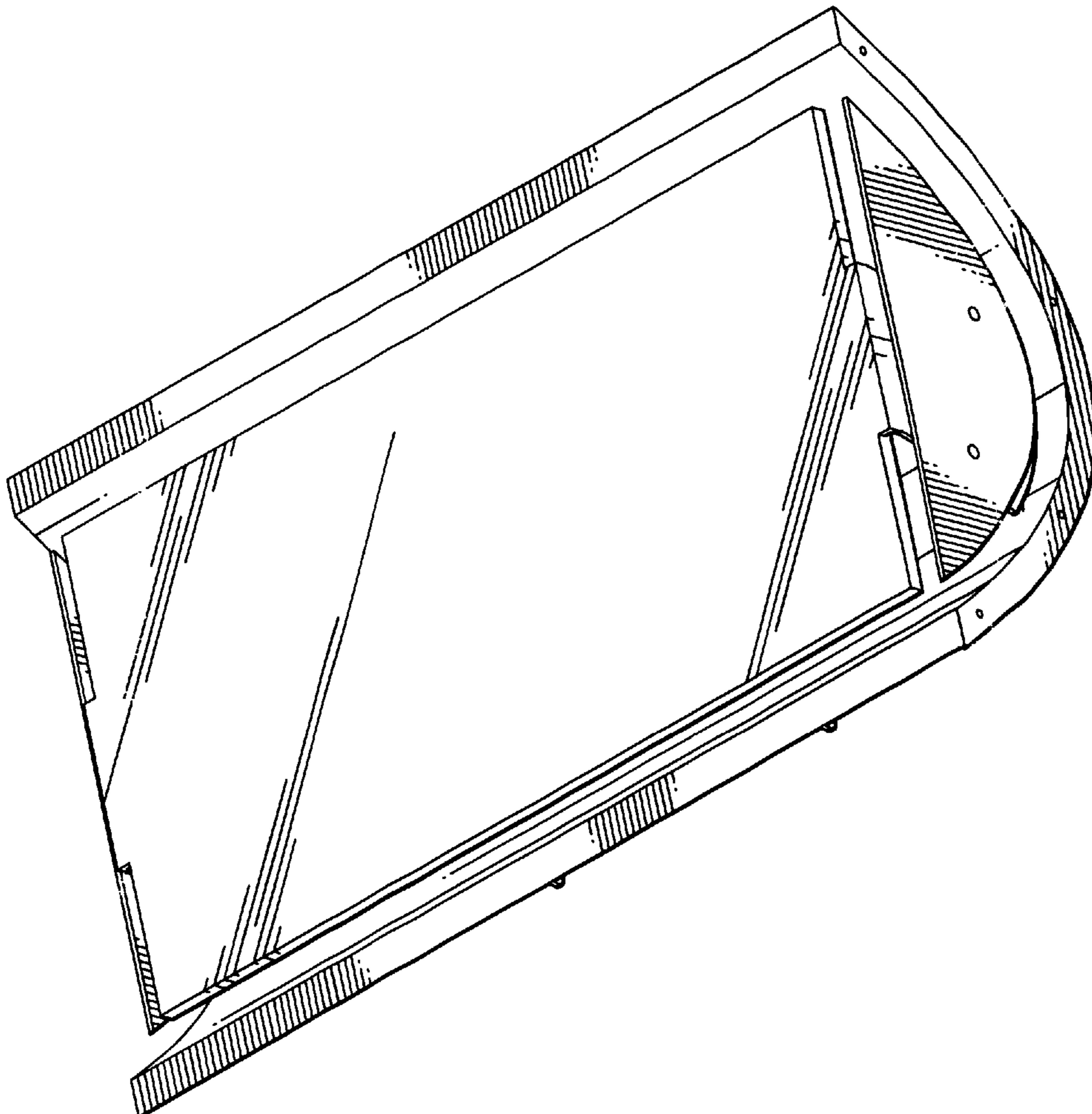
FIG. 4 is a top view thereof;

FIG. 5 is a bottom view thereof;

FIG. 6 is a left side view thereof, where the right side view is a mirror image of the left side view; and,

FIG. 7 is the left side view thereof like FIG. 6, but with the optional side cover cap removed, and again where the right side view is a mirror image of the left side view.

1 Claim, 6 Drawing Sheets



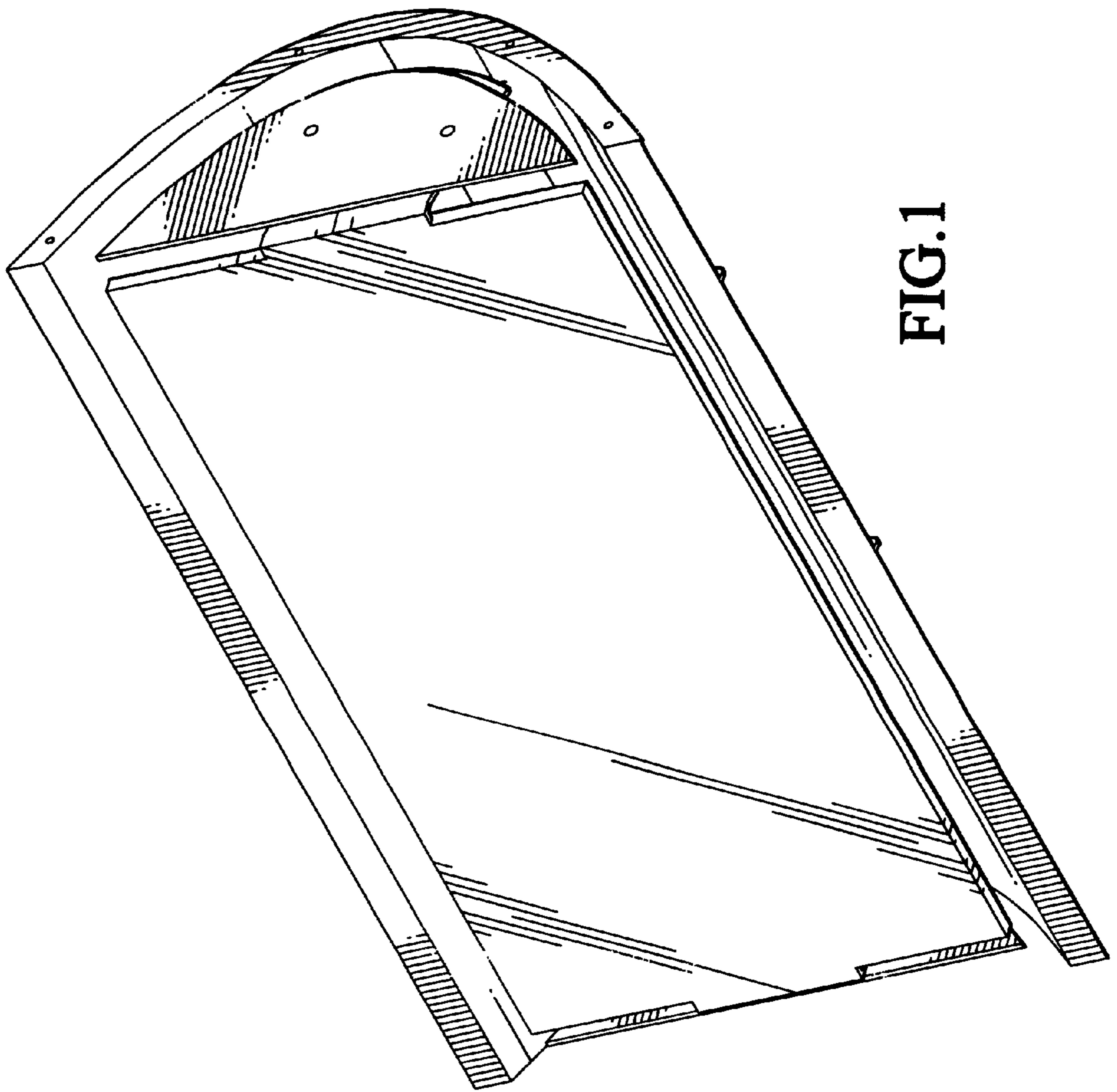


FIG. 1

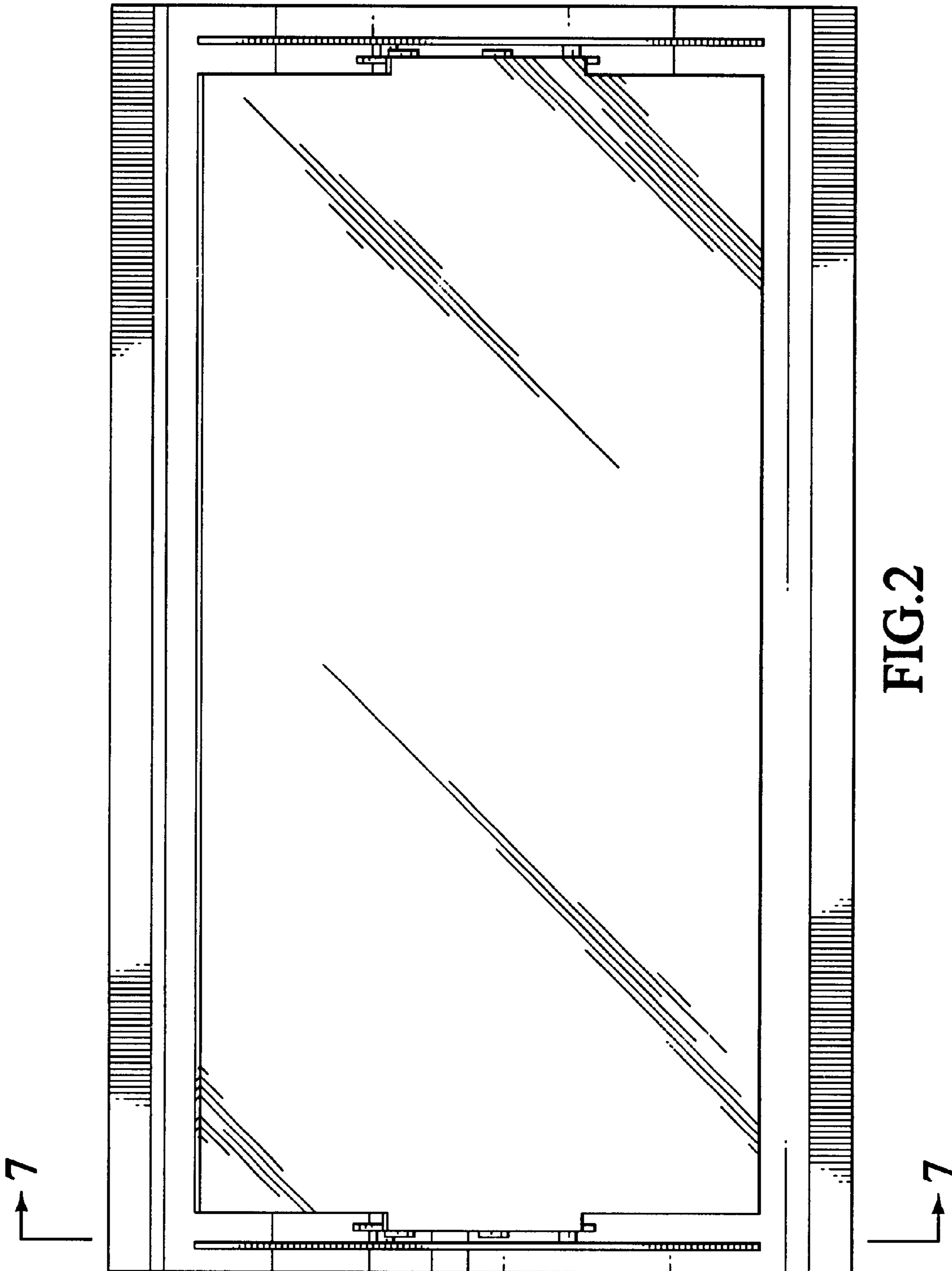


FIG. 2

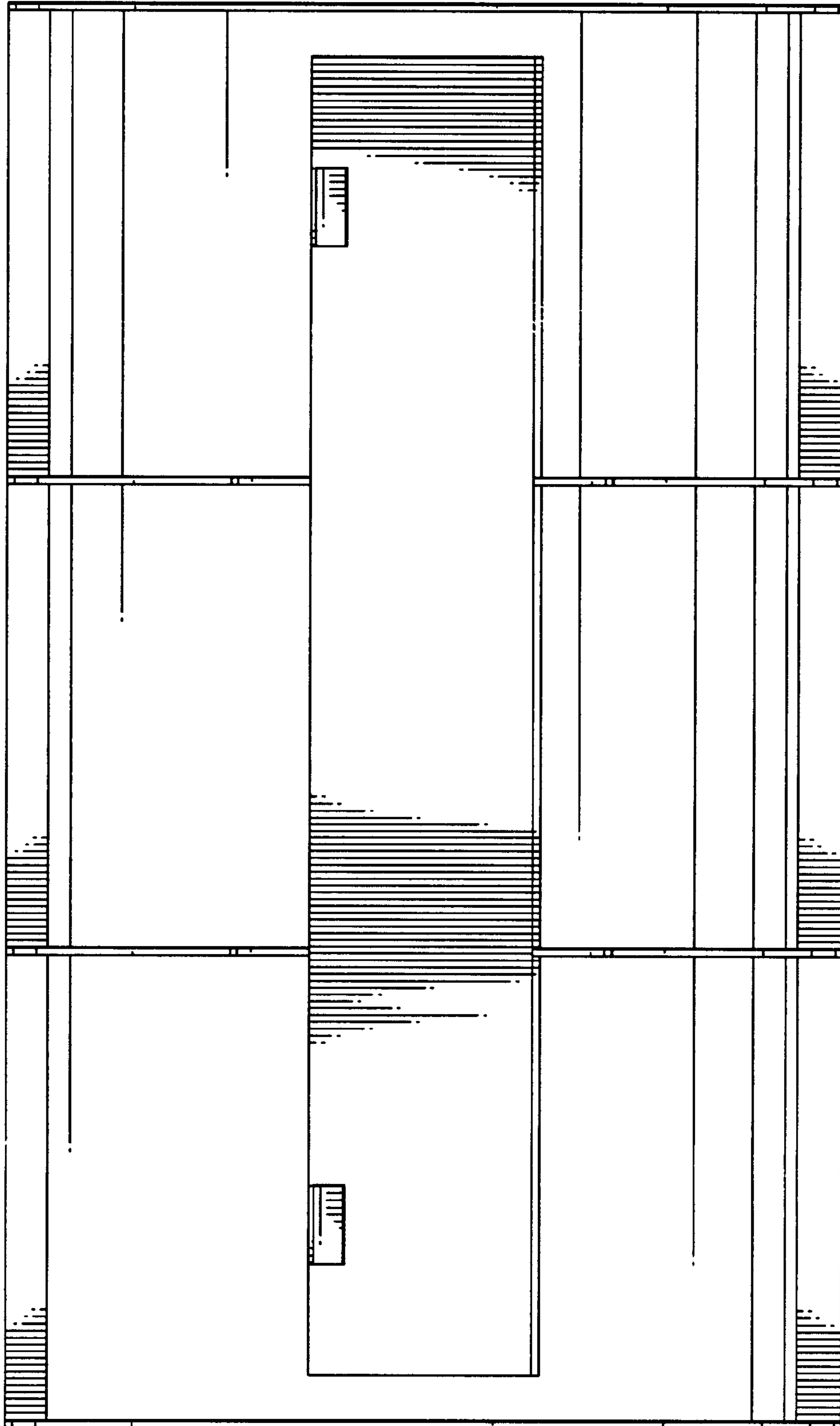


FIG.3

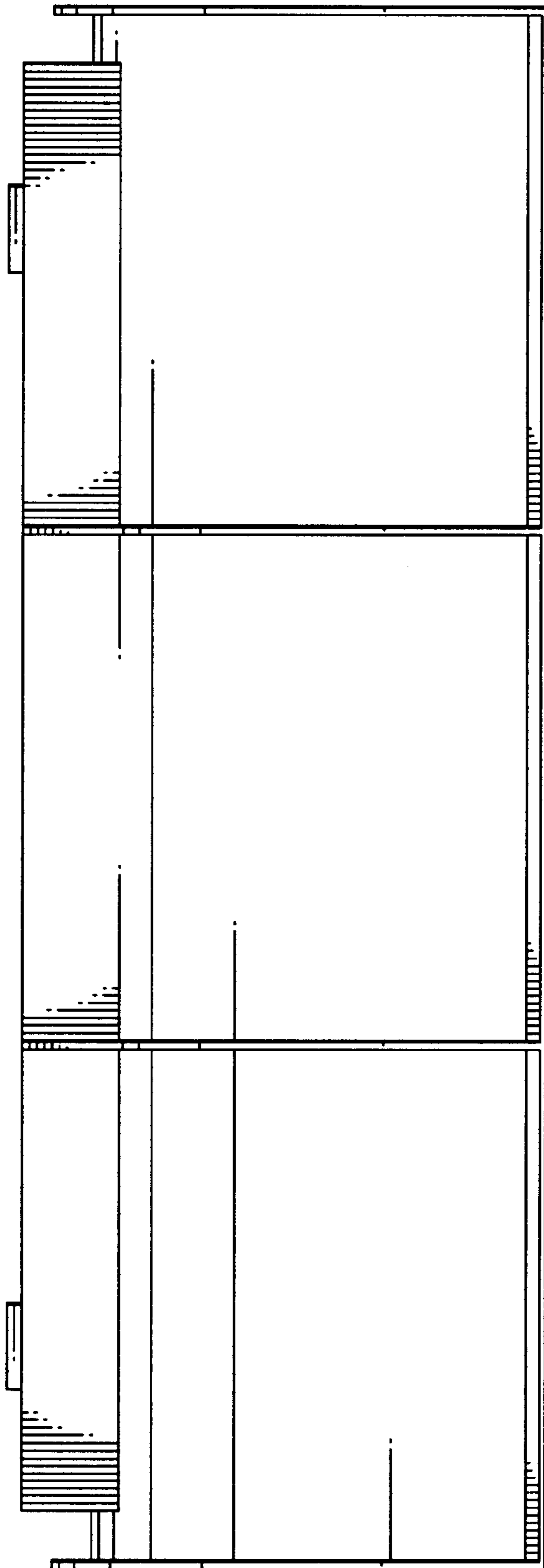


FIG.4

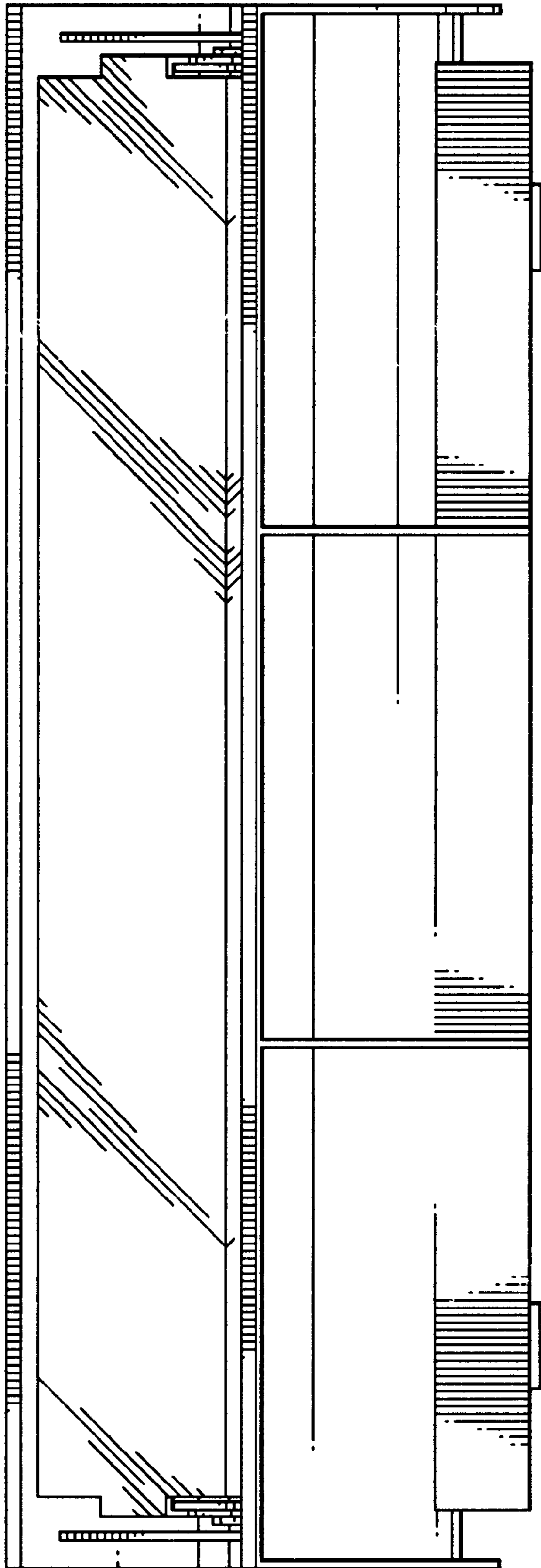


FIG.5

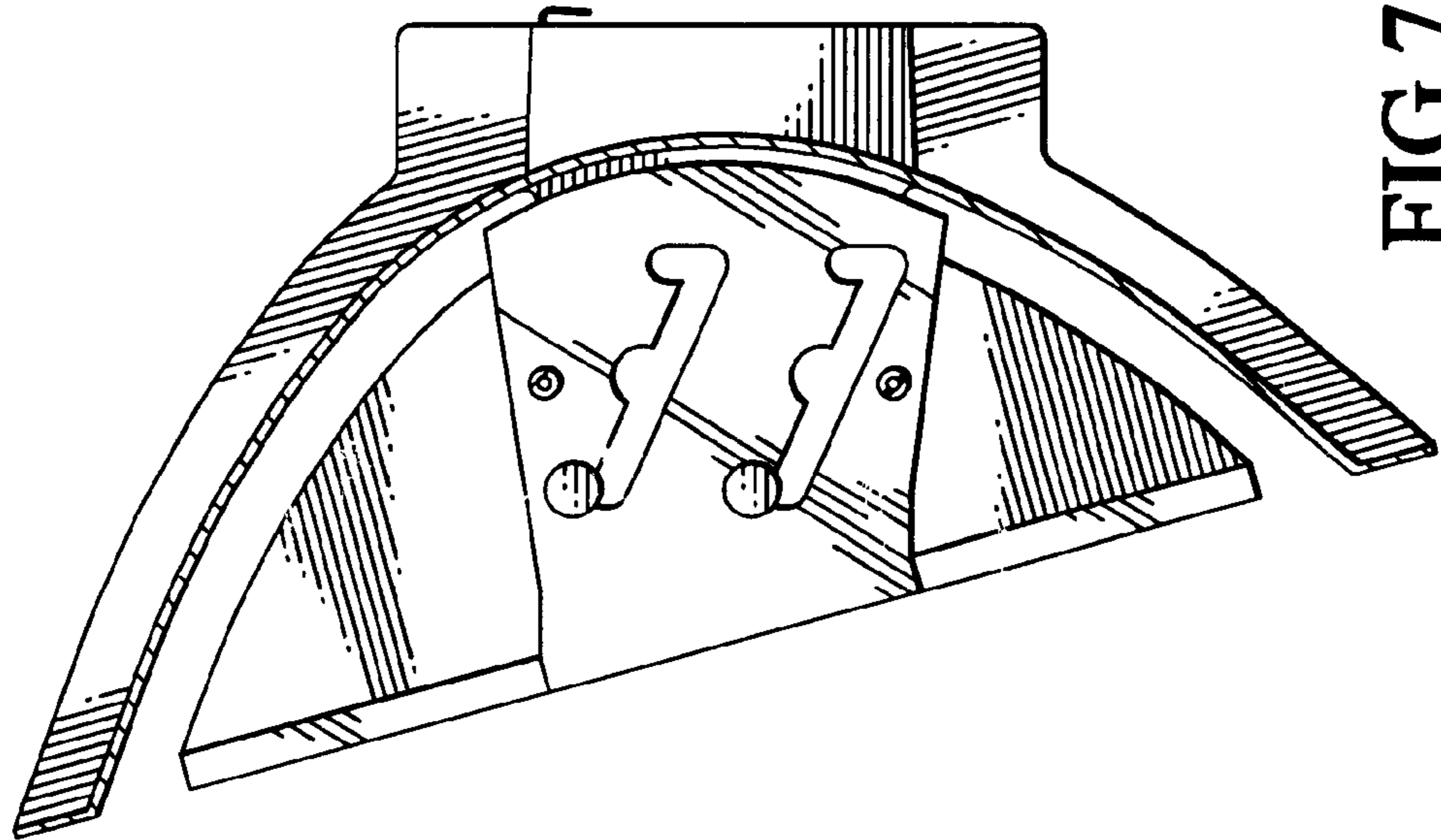


FIG. 7

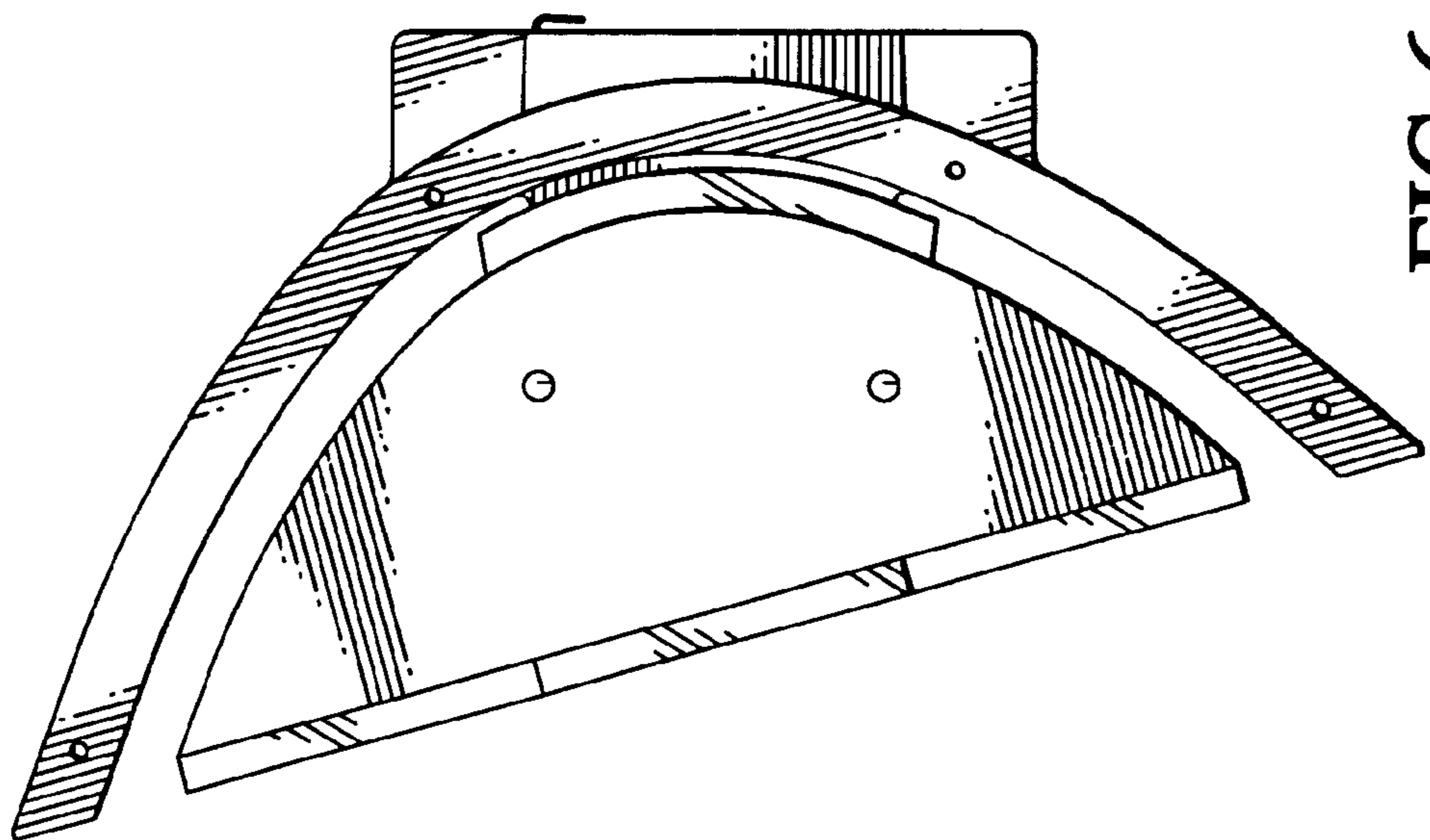


FIG. 6