



US00D454913S

(12) **United States Design Patent**
Cheris et al.

(10) **Patent No.:** **US D454,913 S**
(45) **Date of Patent:** **** Mar. 26, 2002**

(54) **MEMO HOLDER**

(75) Inventors: **Albert B. Cheris**, Deerfield; **Mark Dziersk**, Chicago, both of IL (US)

(73) Assignee: **Tenex Corporation**, Elk Grove Village, IL (US)

(**) Term: **14 Years**

(21) Appl. No.: **29/140,329**

(22) Filed: **Apr. 17, 2001**

(51) **LOC (7) Cl.** **19-02**

(52) **U.S. Cl.** **D19/92**

(58) **Field of Search** D3/304; D19/75,
D19/78, 86, 90, 91, 92, 99, 100, 65; 206/215,
425, 555, 557; 211/10, 11, 126.1, 126.2,
126.4, 126.5, 126.6, 126.7; 281/44

(56) **References Cited**

U.S. PATENT DOCUMENTS

- 3,236,385 A * 2/1966 Becker D19/92
- D327,503 S * 6/1992 Szablak et al. D19/92
- D338,685 S * 8/1993 Dakich D19/92
- D362,572 S * 9/1995 Joseph, Jr. D19/92

OTHER PUBLICATIONS

TENEX® Letter Size Stacking Desk Trays, item "I", TEN-20501, Guernsey Office Products catalog 2000, ©1999, p. 493.*

TENEX Front Load Letter Tray, item "A", TEN 15201, Jacobs Gardner Office Products catalog 2001, ©2000, p. 475.*

TENEX Filing Letter Tray, item "A", TEN 22201, Jacobs Gardner Office Products catalog 2001, ©p. 476.*

* cited by examiner

Primary Examiner—Doris V. Coles

Assistant Examiner—Elizabeth A. Albert

(74) *Attorney, Agent, or Firm*—Marshall, Gerstein & Borun

(57) **CLAIM**

The ornamental design for a memo holder, as shown and described.

DESCRIPTION

FIG. 1 is a perspective view of a memo holder of our design; FIG. 2 is an elevational view of one side thereof, the opposite side being a mirror image thereof; FIG. 3 is a front elevational view thereof; FIG. 4 is a rear elevational view thereof; FIG. 5 is a top plan view thereof; and, FIG. 6 is a bottom plan view thereof.

1 Claim, 2 Drawing Sheets

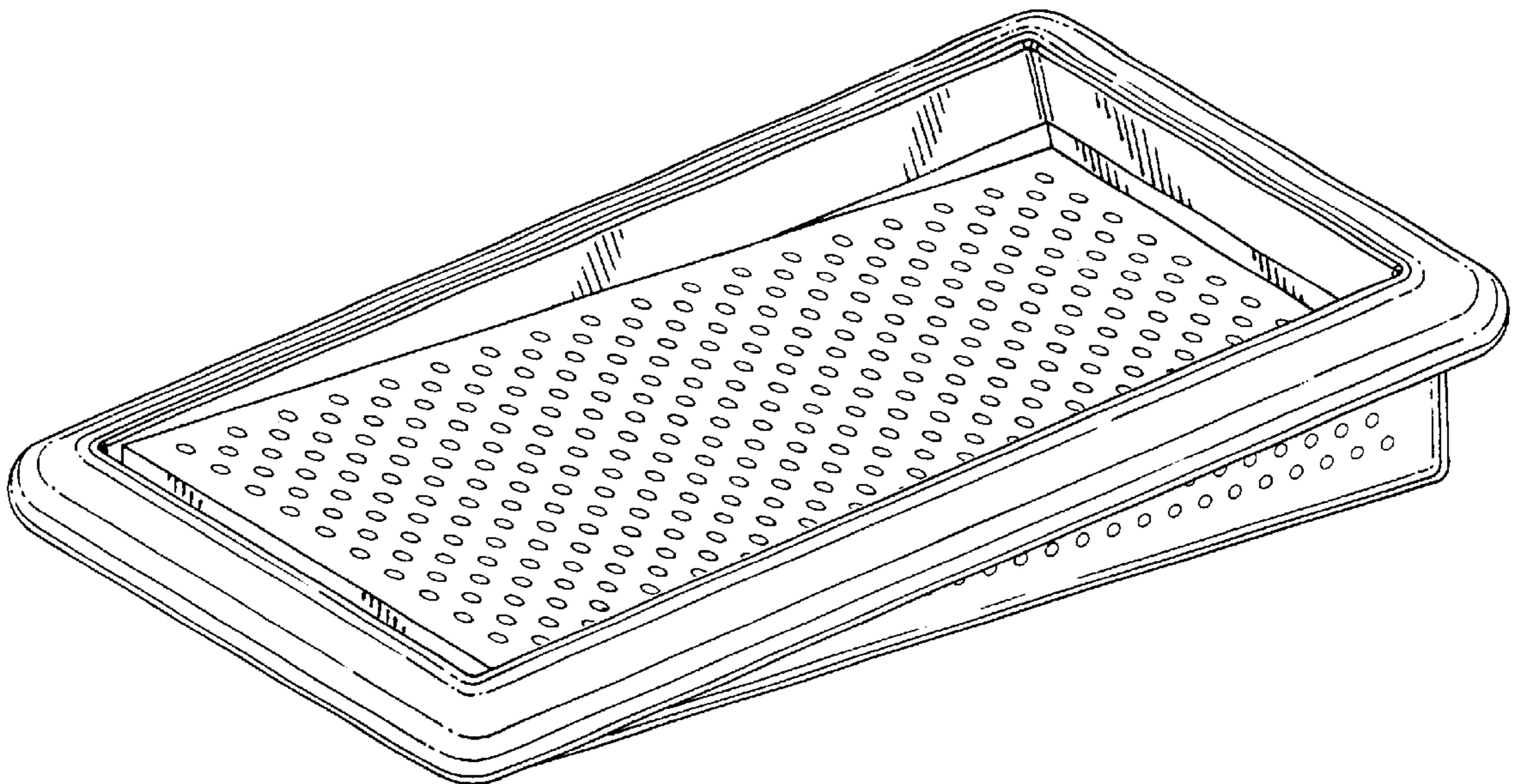


FIG. 1

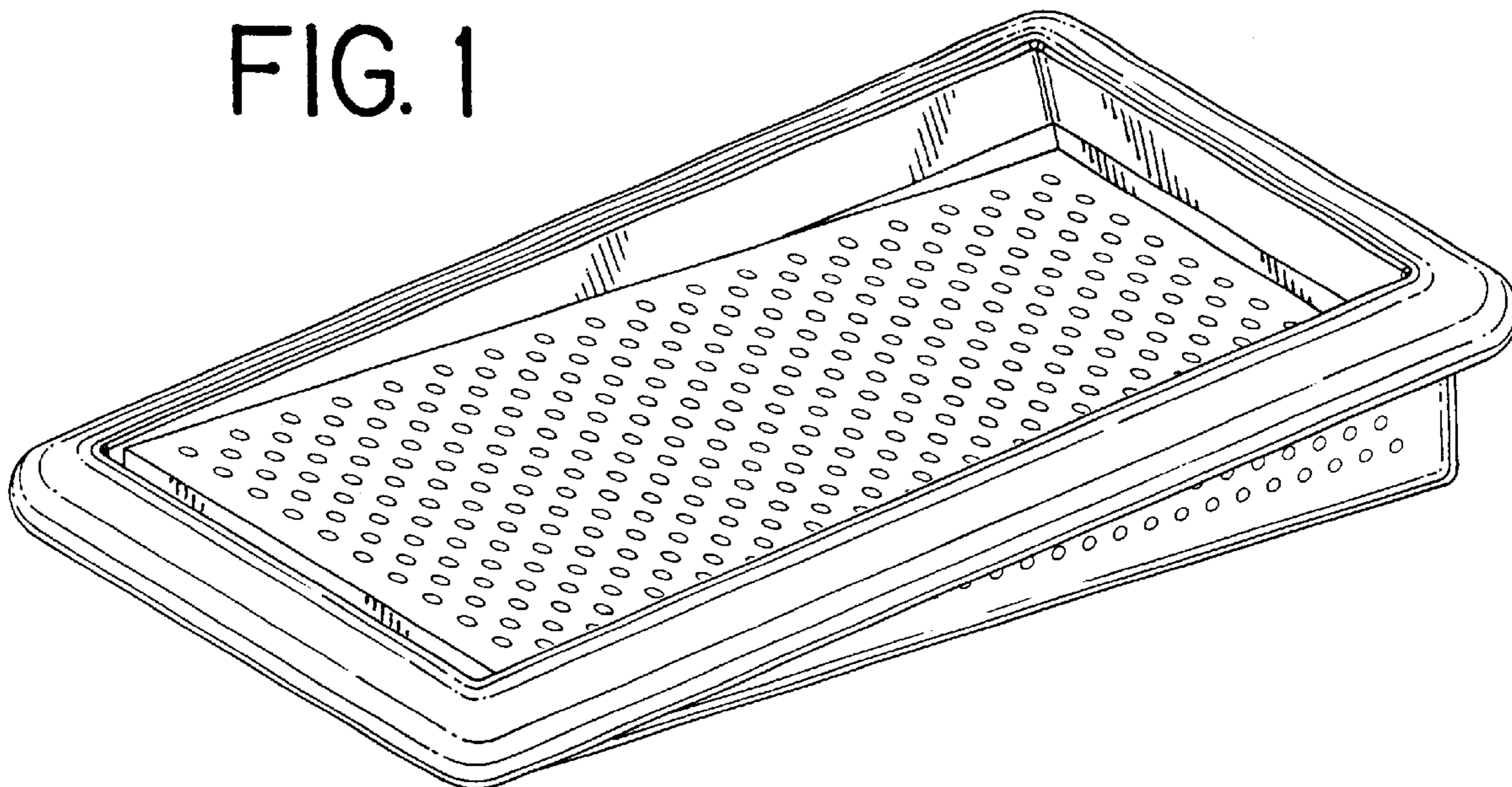


FIG. 2

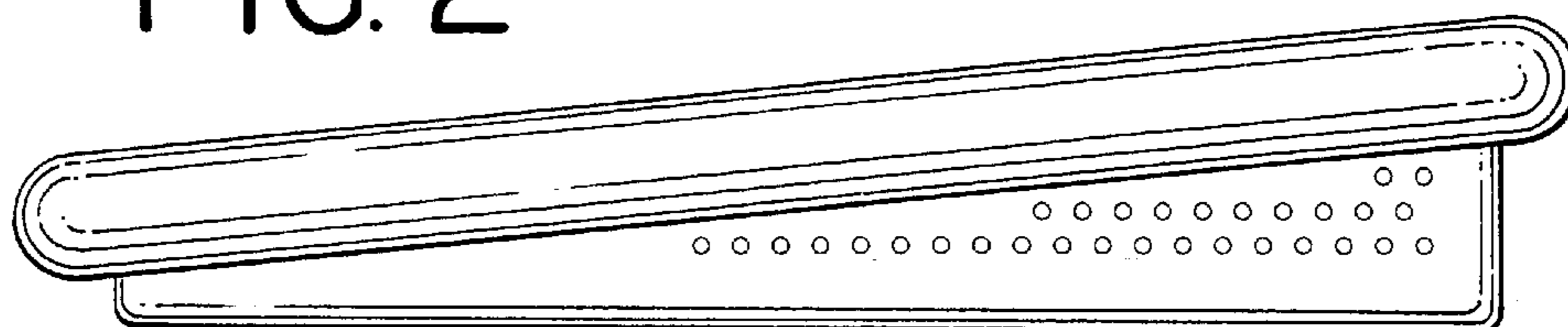


FIG. 3

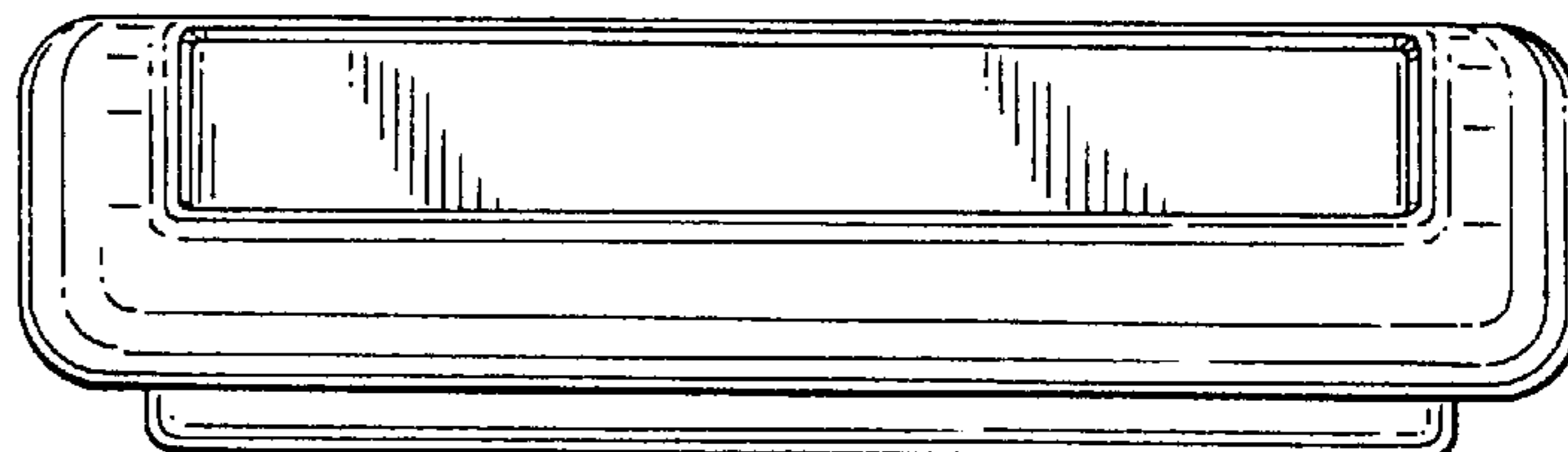


FIG. 4

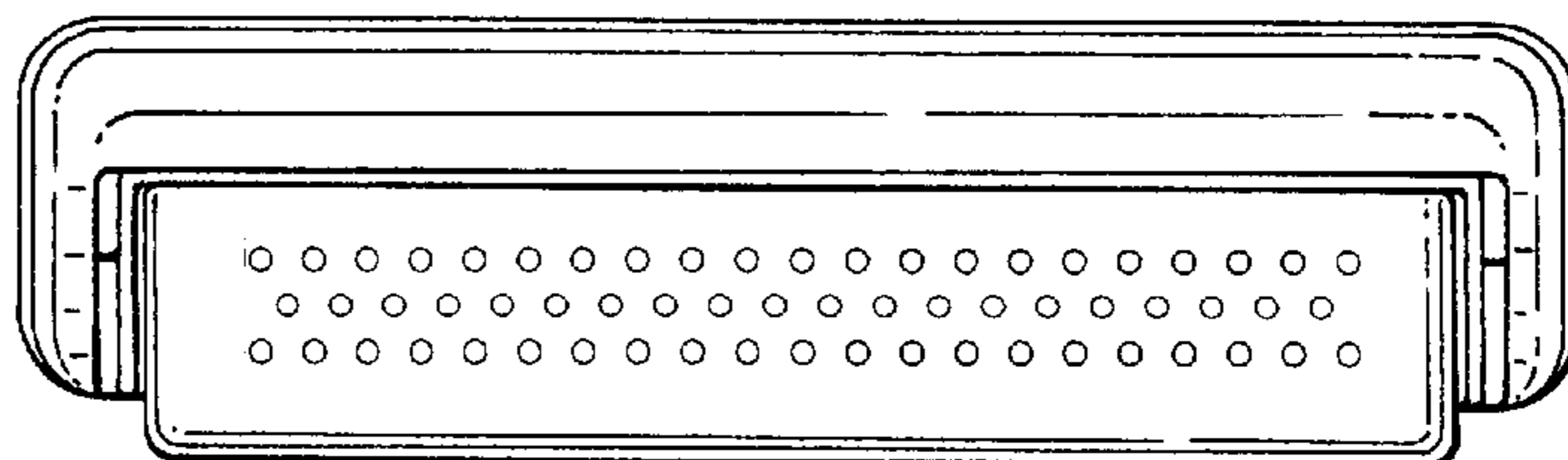


FIG. 6

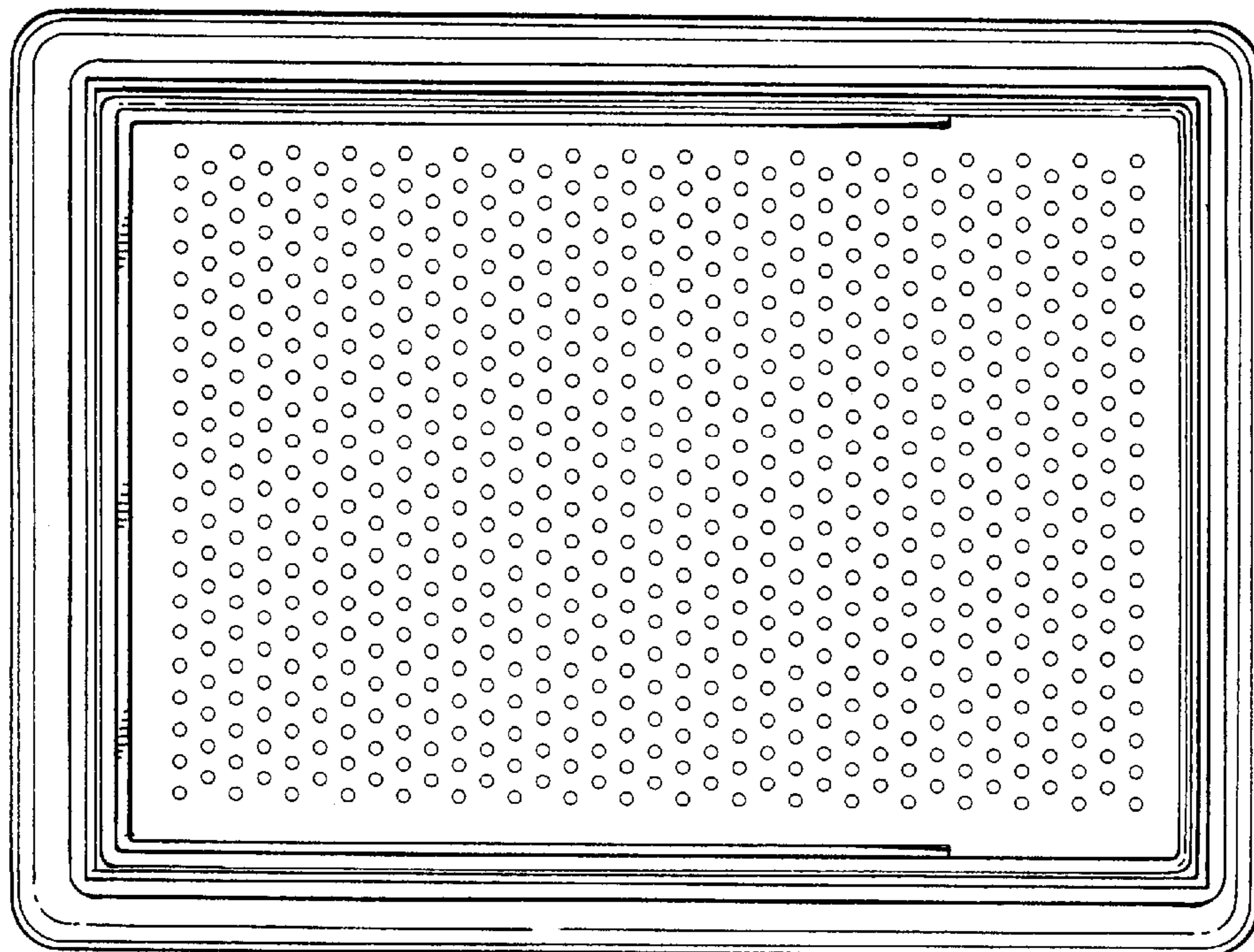


FIG. 5

