



US00D454911S

(12) **United States Design Patent**  
**Carlson et al.**

(10) **Patent No.:** **US D454,911 S**  
(45) **Date of Patent:** **\*\* Mar. 26, 2002**

- (54) **PISTOL GRIP TAPE DISPENSER**
- (75) Inventors: **Bruce W. Carlson**, Minneapolis;  
**Gerald E. Mueller**, Eagan; **Steven E. Turch**, Blaine; **John M. Pilgrim**, Oakdale, all of MN (US)
- (73) Assignee: **3M Innovative Properties Company**, St. Paul, MN (US)
- (\*\*) Term: **14 Years**
- (21) Appl. No.: **29/123,662**
- (22) Filed: **May 22, 2000**
- (51) **LOC (7) Cl.** ..... **19-02**
- (52) **U.S. Cl.** ..... **D19/69; D19/67**
- (58) **Field of Search** ..... D19/65, 67, 68, D19/69, 72, 89, 95, 99, 100; 156/523, 527, 327, 577; 225/6, 7, 12, 19, 22, 25, 34, 35, 45, 56, 57, 74, 77, 89, 11; 242/588, 588.1-588.6, 590

D239,620 S	*	4/1976	Fritzinger	.....	D19/69
3,972,769 A		8/1976	Lissoni		
5,164,038 A		11/1992	Sundqvist		
D333,678 S		3/1993	Lissoni		
5,288,362 A		2/1994	Shuh-Chin		
5,381,942 A		1/1995	Lin		
5,759,342 A		6/1998	Luhman et al.		
5,792,310 A		8/1998	Thompson et al.		

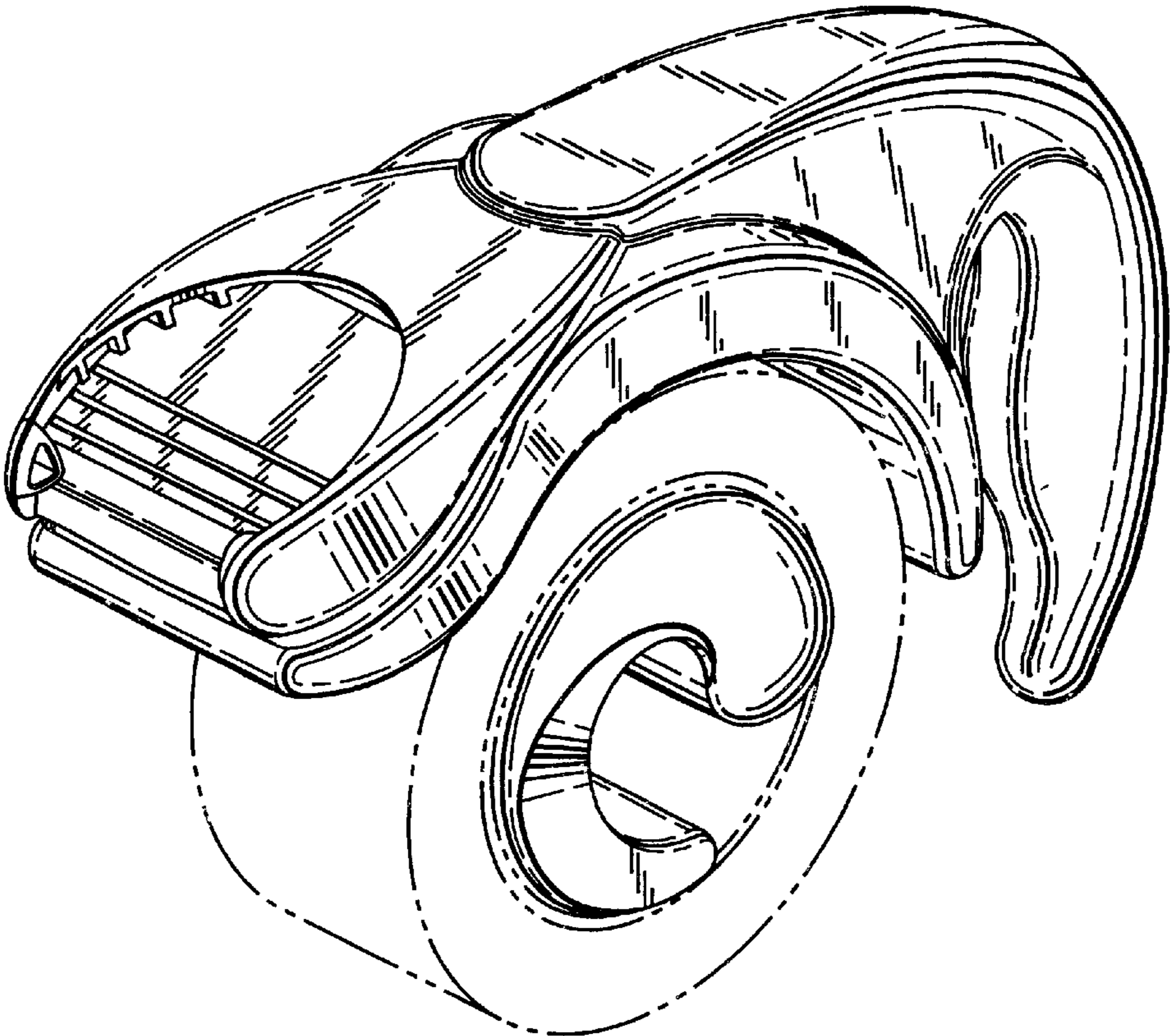
\* cited by examiner  
*Primary Examiner*—Martie K. Holtje  
 (74) *Attorney, Agent, or Firm*—Carolyn V. Peters

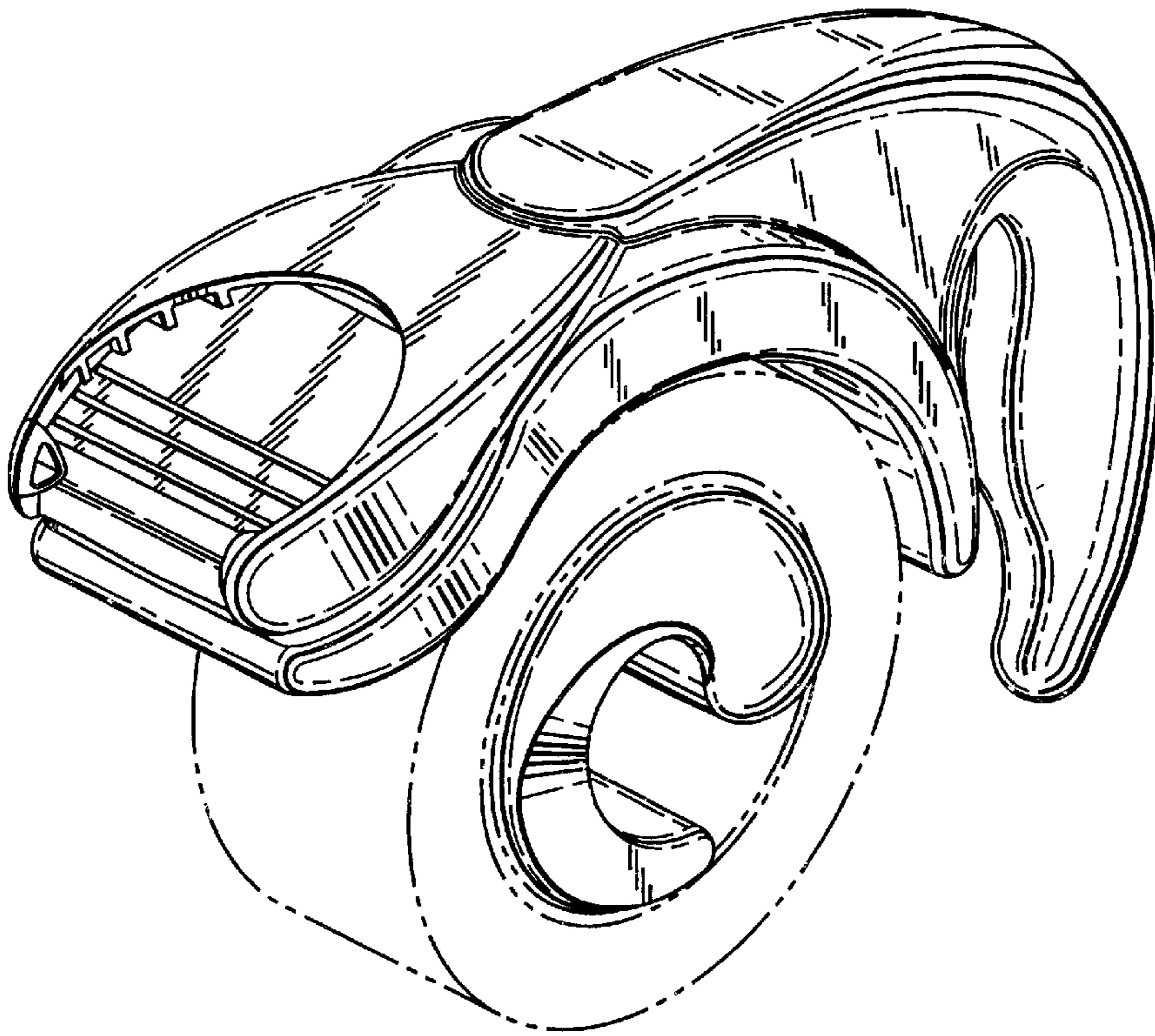
(57) **CLAIM**  
 The ornamental design for a pistol grip tape dispenser, as shown and described.

**DESCRIPTION**  
 FIG. 1 is a perspective view of a pistol grip tape dispenser of the present invention;  
 FIG. 2 is the left side view of FIG. 1;  
 FIG. 3 is the right side view of FIG. 1;  
 FIG. 4 is the top view of FIG. 1.  
 FIG. 5 is the bottom view of FIG. 1.  
 FIG. 6 is the front view of FIG. 1; and,  
 FIG. 7 is the rear view of FIG. 1.  
 The tape roll depicted by means of broken lines in FIGS. 1 through 3 and 5 through 7 has been shown for illustrative purposes only and forms no part of the claimed design.

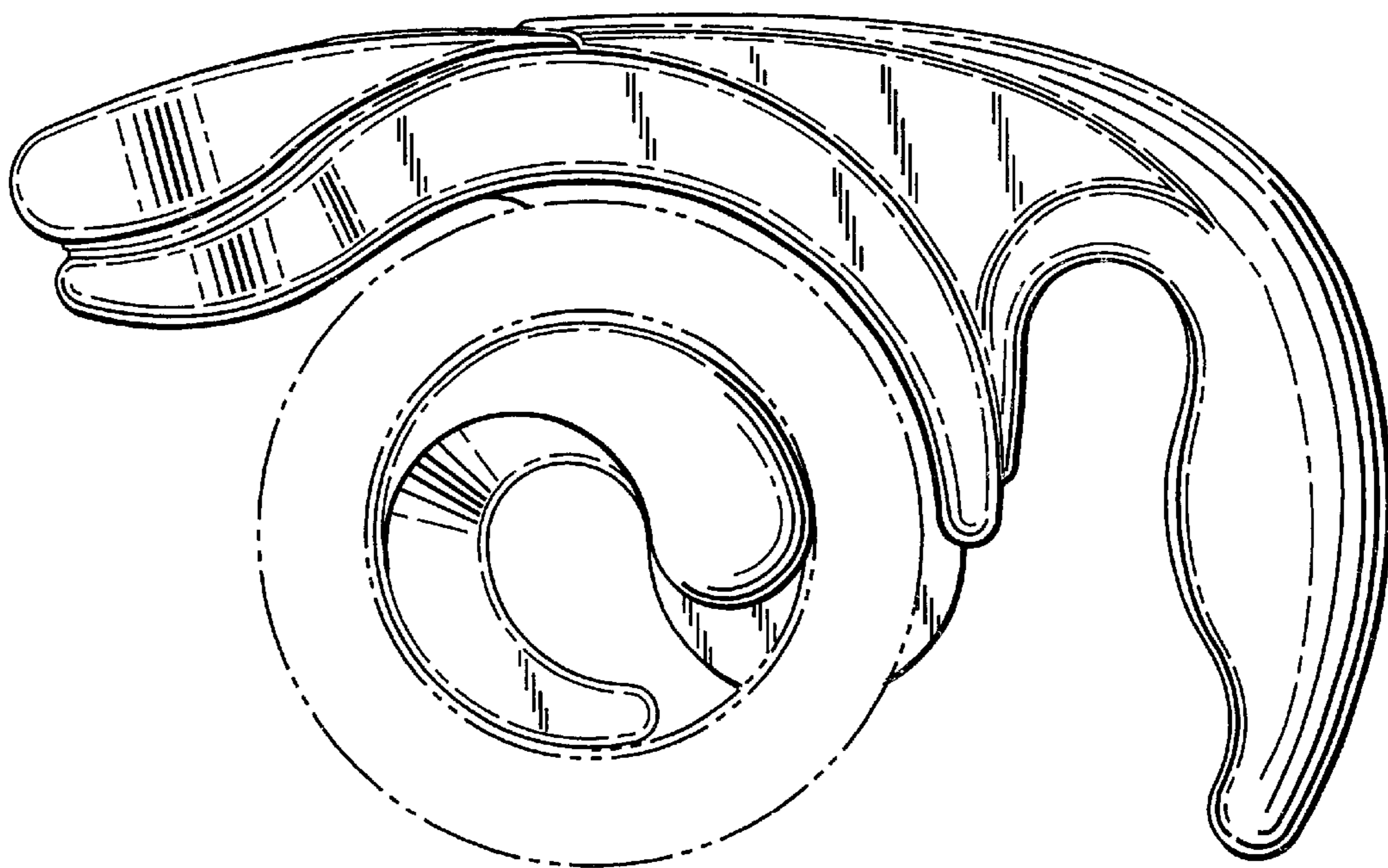
- (56) **References Cited**  
**U.S. PATENT DOCUMENTS**  
 2,777,594 A \* 1/1957 Krueger ..... 156/527  
 D197,157 S \* 12/1963 Casey ..... D19/67  
 3,149,764 A \* 9/1964 Waltz ..... 225/57  
 D203,410 S \* 1/1966 Quenot ..... D19/69  
 D227,810 S \* 7/1973 Boyce ..... D19/69

**1 Claim, 3 Drawing Sheets**



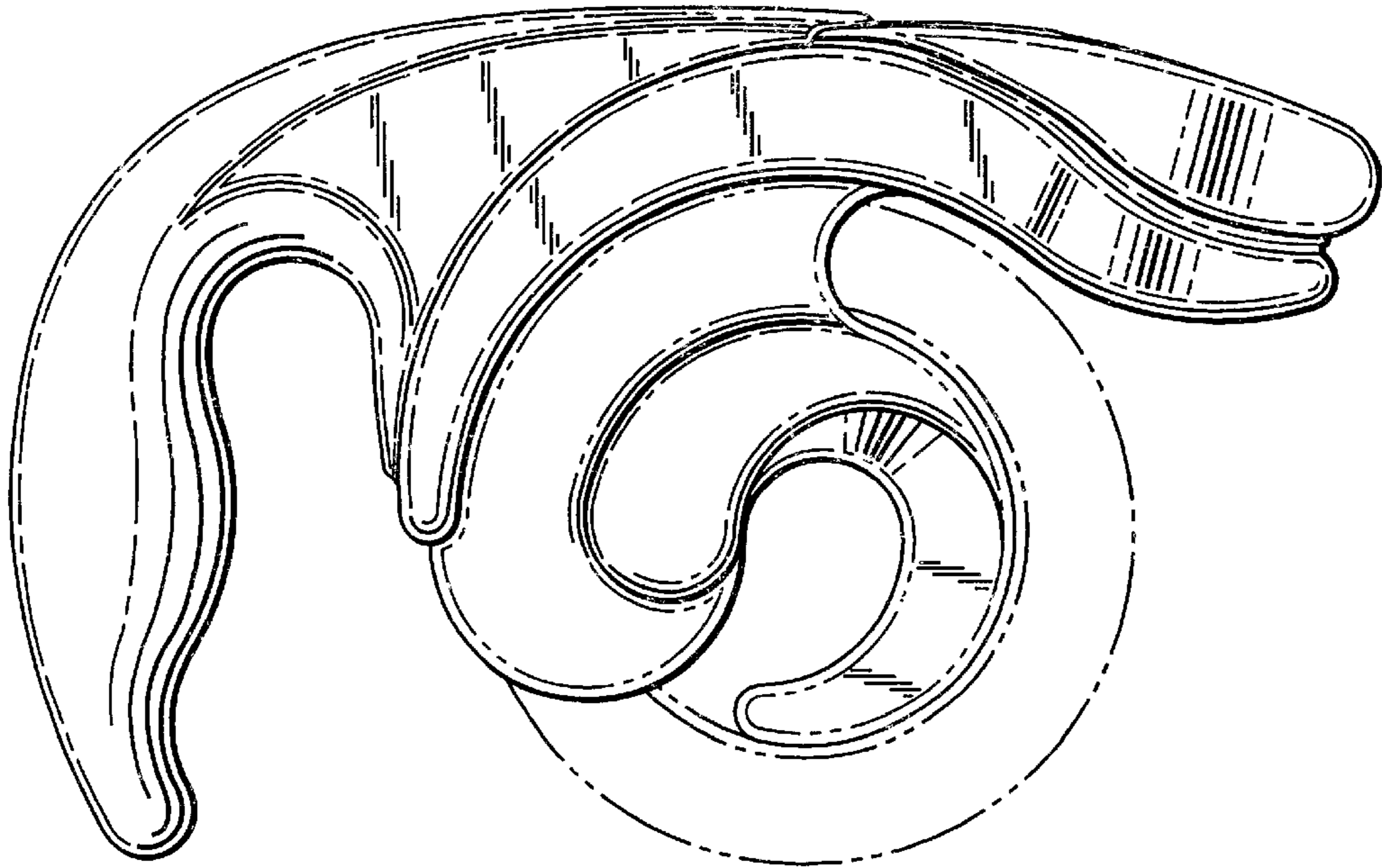


*Fig. 1*

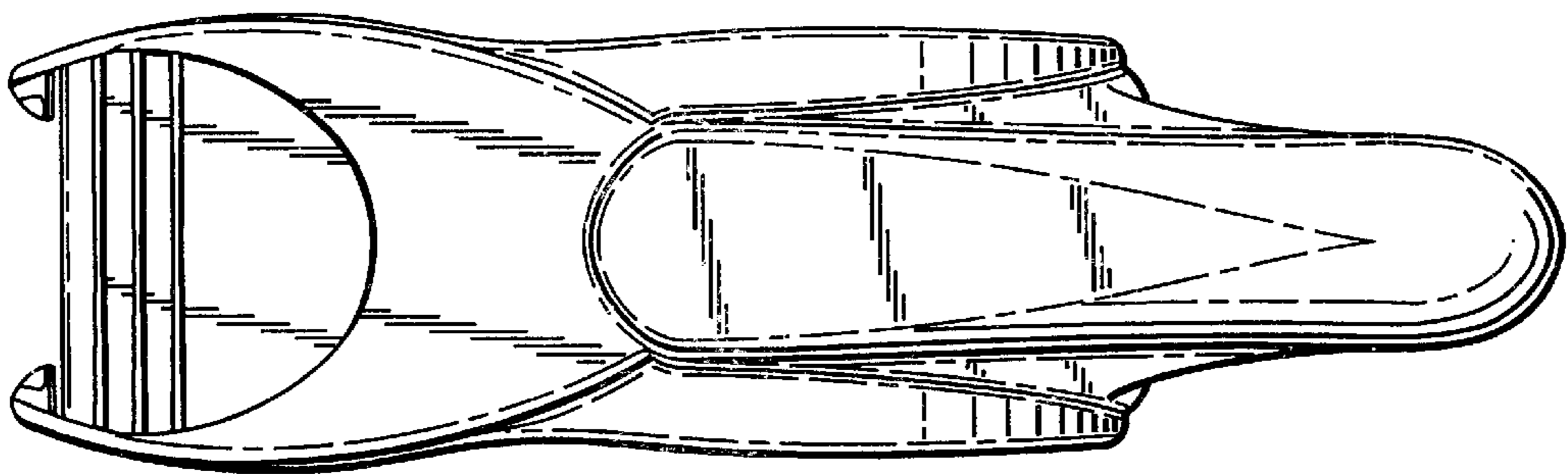


*Fig. 2*

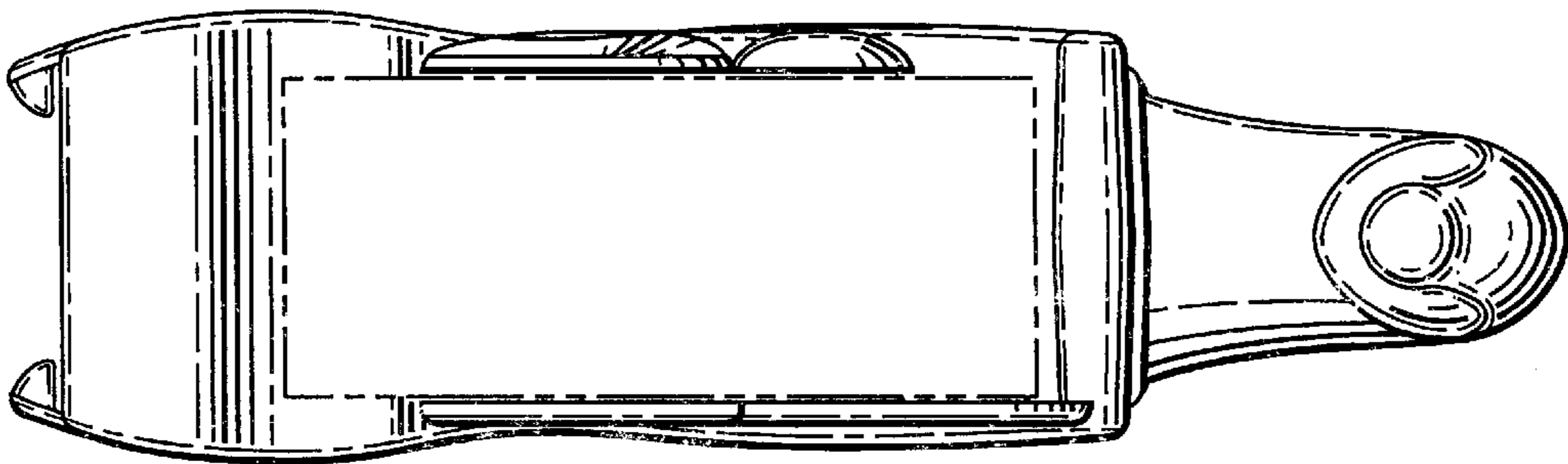




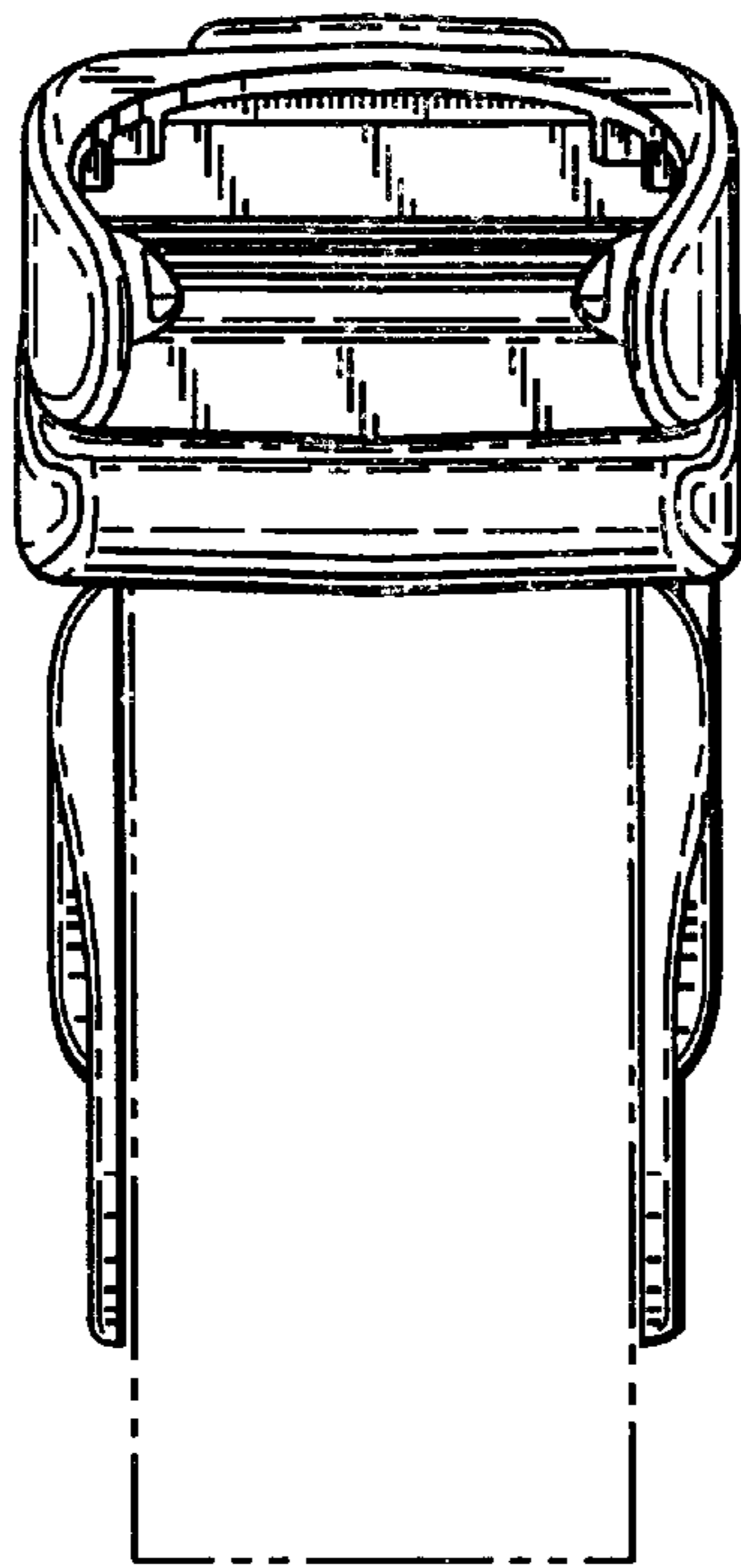
*Fig. 3*



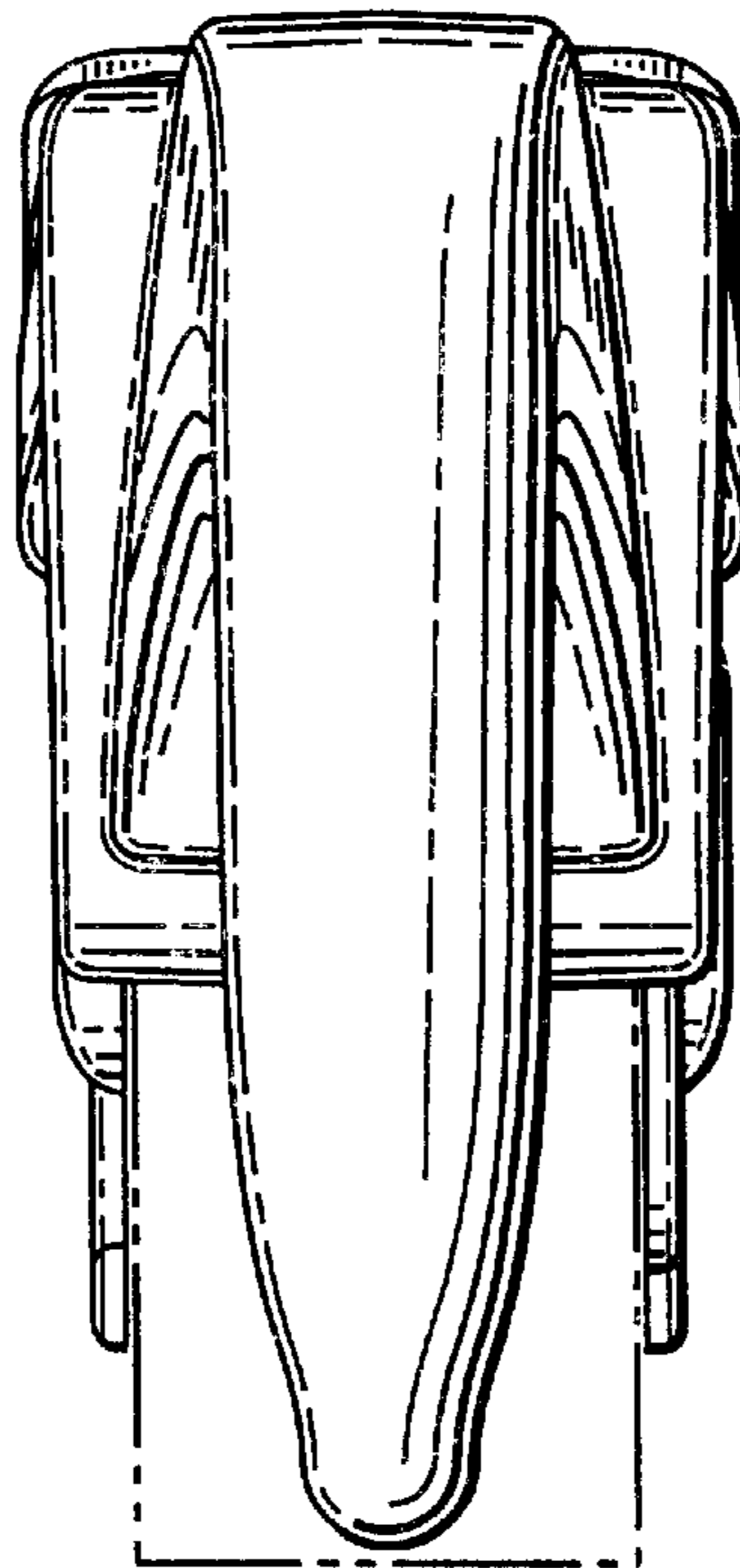
*Fig. 4*



*Fig. 5*



*Fig. 6*



*Fig. 7*