



US00D454908S

(12) **United States Design Patent**
Seino et al.

(10) **Patent No.:** **US D454,908 S**
(45) **Date of Patent:** **** Mar. 26, 2002**

(54) **INK CARTRIDGE FOR PRINTER**

6,250,750 B1 * 6/2001 Miyazawa et al. 347/87

(75) Inventors: **Takeo Seino; Satoshi Shinada; Koichi Toba**, all of Nagano-ken (JP)

FOREIGN PATENT DOCUMENTS

JP 2000-015893 6/2000
JP 2000-015898 6/2000

(73) Assignee: **Seiko Epson Corporation**, Tokyo (JP)

OTHER PUBLICATIONS

(**) Term: **14 Years**

Pending U.S. application No. 29/114,624, filed Nov. 29, 1999, now Des. 438,241.

(21) Appl. No.: **29/133,494**

Pending U.S. application No. 29/122,565, filed Apr. 28, 2000, now Des. 440,600.

(22) Filed: **Nov. 29, 2000**

(30) **Foreign Application Priority Data**

May 31, 2000 (JP) 2000-014529

* cited by examiner

(51) **LOC (7) Cl.** **18-02**

Primary Examiner—Cathy Anne MacCormac

(52) **U.S. Cl.** **D18/56**

(74) *Attorney, Agent, or Firm*—Stroock & Stroock & Lavan LLP

(58) **Field of Search** D18/56; 347/86,
347/87

(57) **CLAIM**

The ornamental design for an ink cartridge for printer, as shown and described.

(56) **References Cited**

DESCRIPTION

U.S. PATENT DOCUMENTS

- D351,190 S 10/1994 Oshima et al.
- D369,383 S 4/1996 Miyazawa et al.
- D378,760 S 4/1997 Shinada et al.
- D381,039 S 7/1997 Shinada et al.
- D389,180 S 1/1998 Miyazawa et al.
- D390,598 S * 2/1998 Miyazawa et al. D18/56
- D427,236 S 6/2000 Shinada et al.
- D438,896 S * 3/2001 Shinada et al. D18/56
- D439,609 S * 3/2001 Shinada et al. D18/56

FIG. 1 is a top, front and right side perspective view of an ink cartridge for printer showing our new design;
FIG. 2 is a top plan view thereof;
FIG. 3 is a front elevational view thereof;
FIG. 4 is a bottom view thereof;
FIG. 5 is a left side view thereof; and,
FIG. 6 is a right side view thereof.

1 Claim, 3 Drawing Sheets

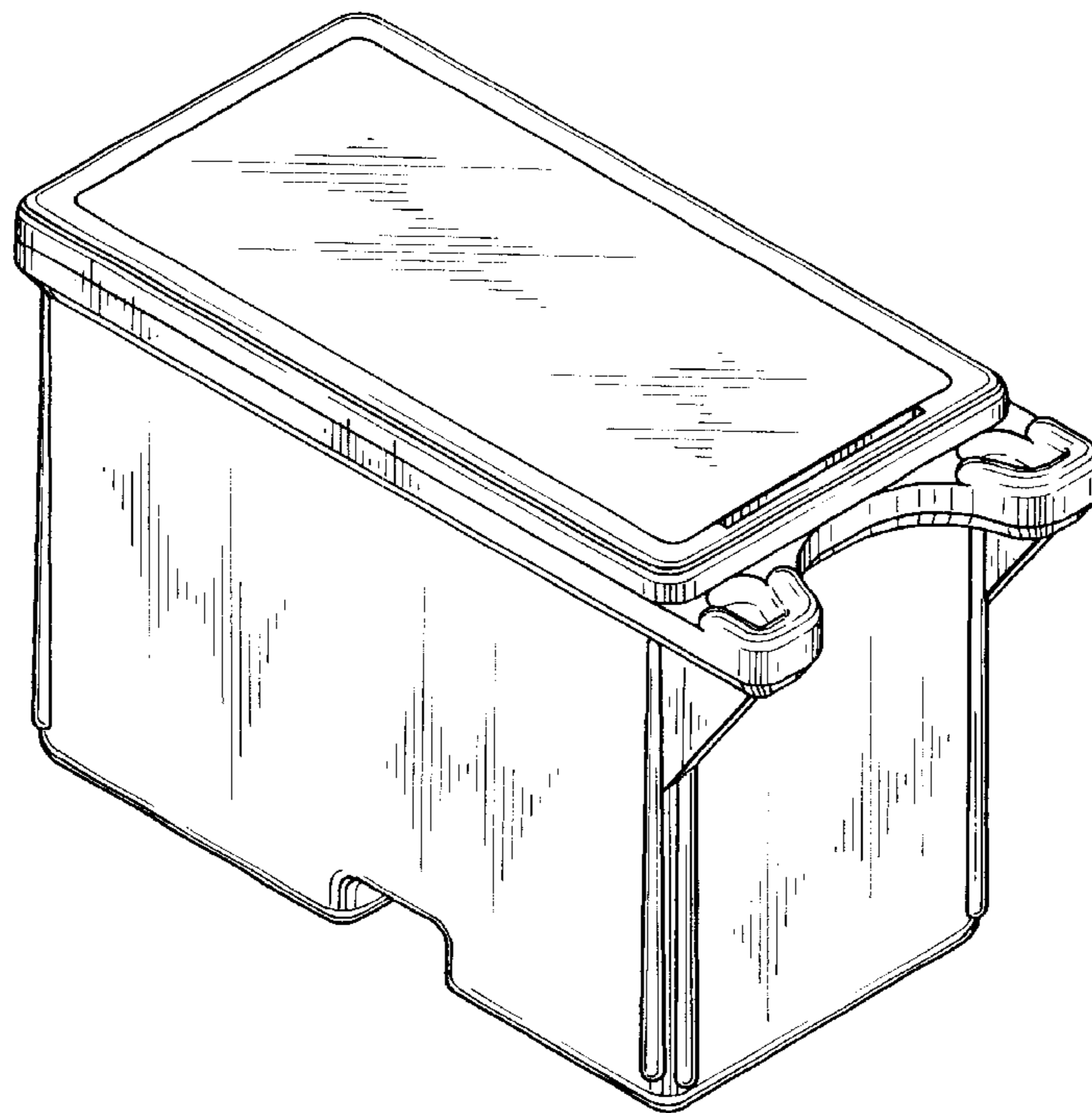


FIG. 1

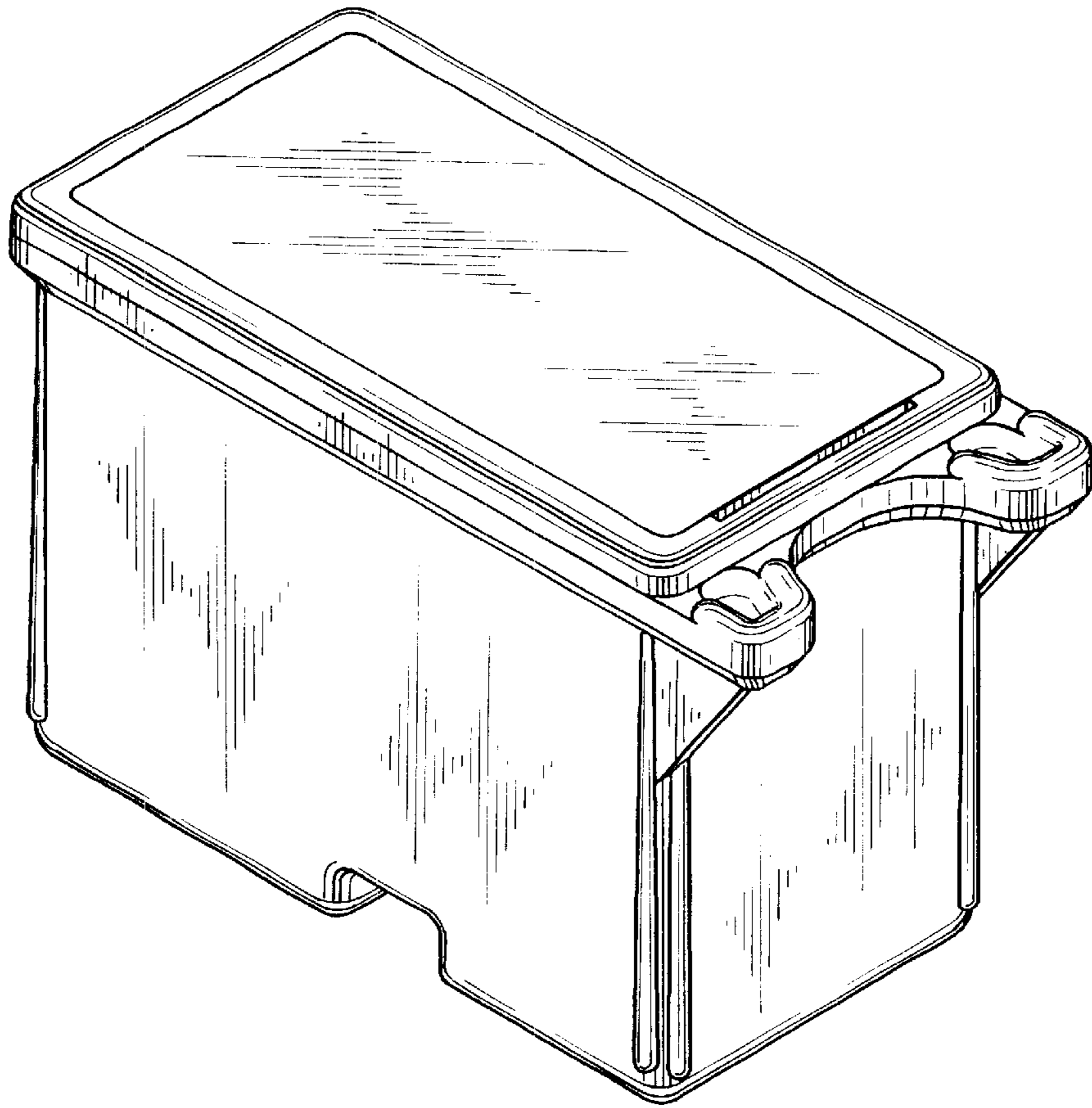


FIG. 2

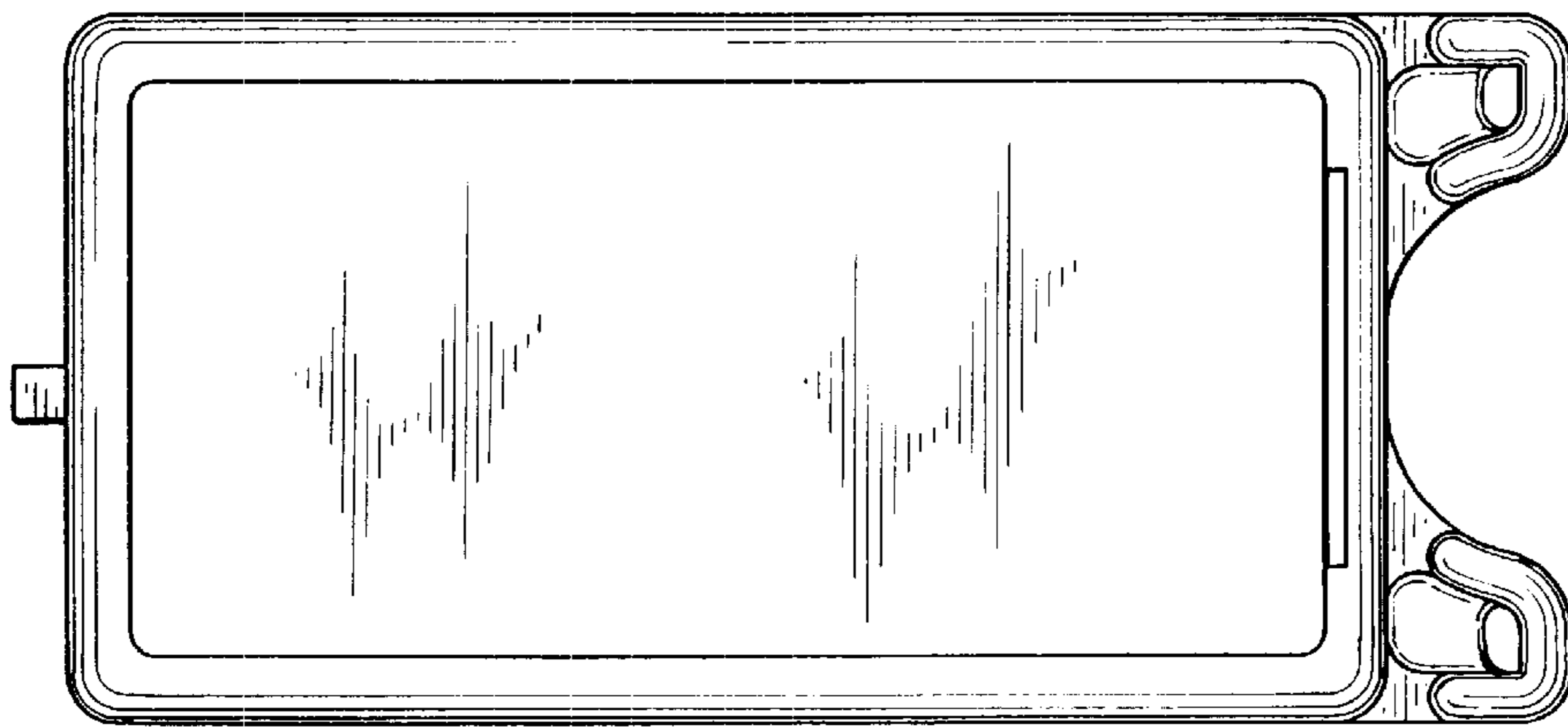


FIG. 3

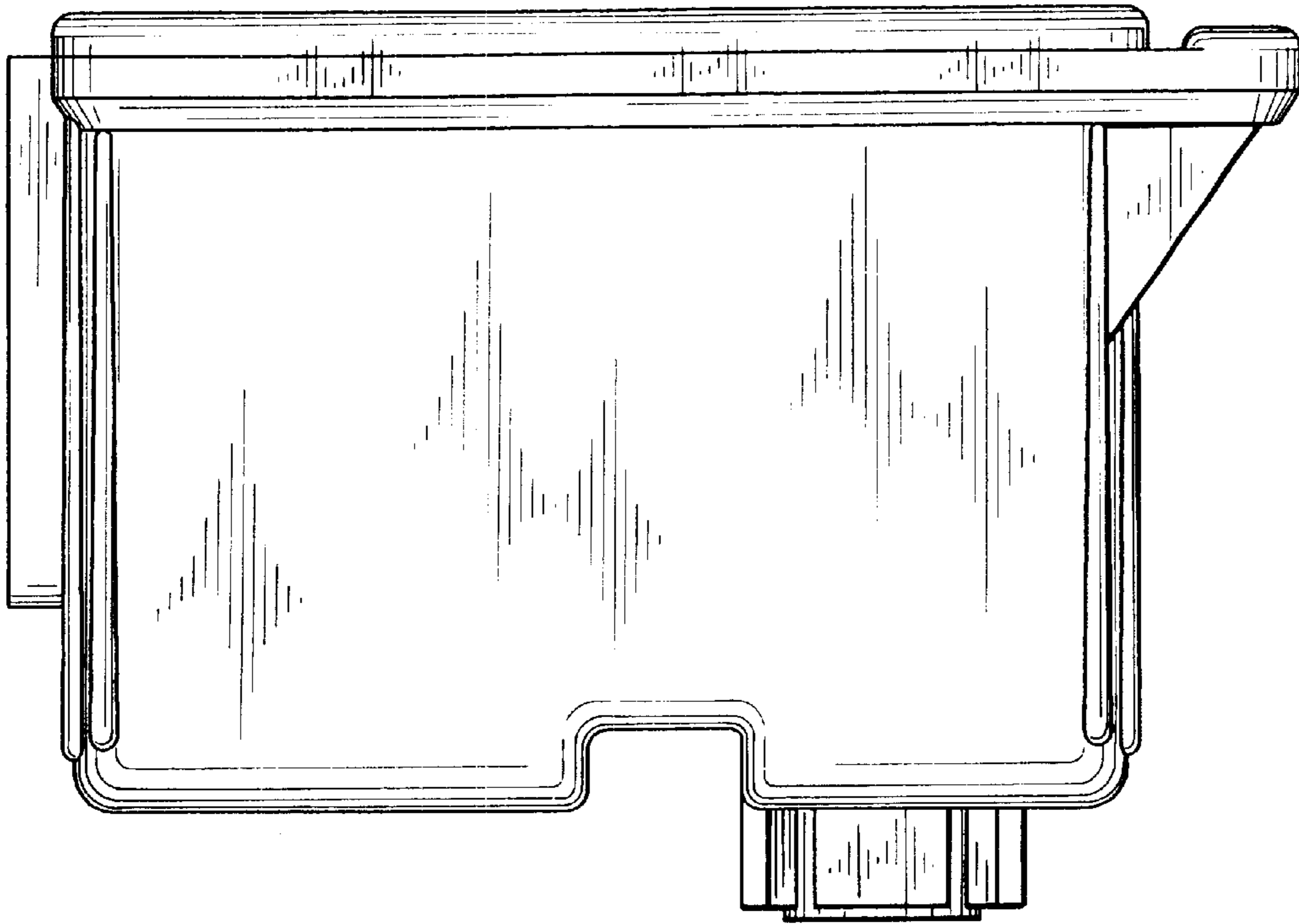


FIG. 4

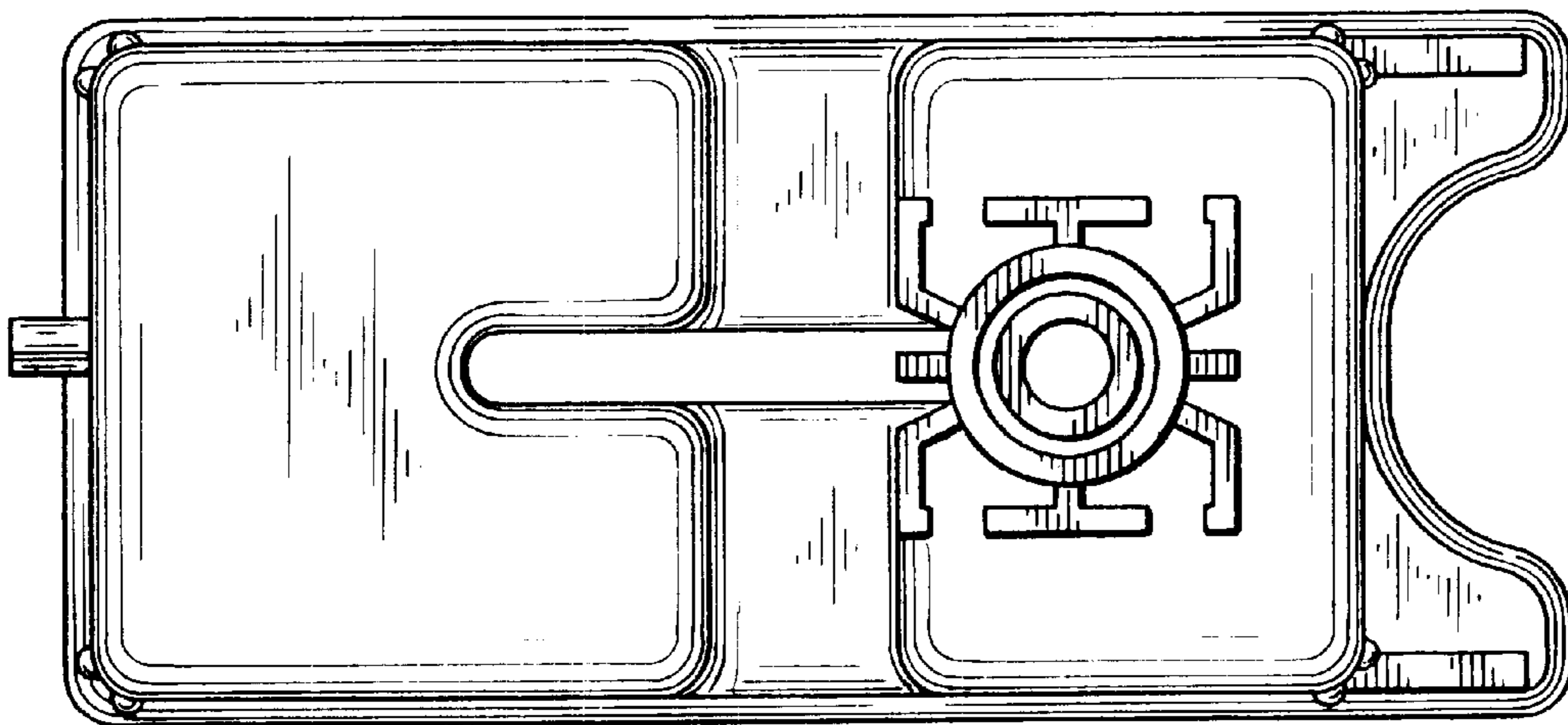


FIG. 5

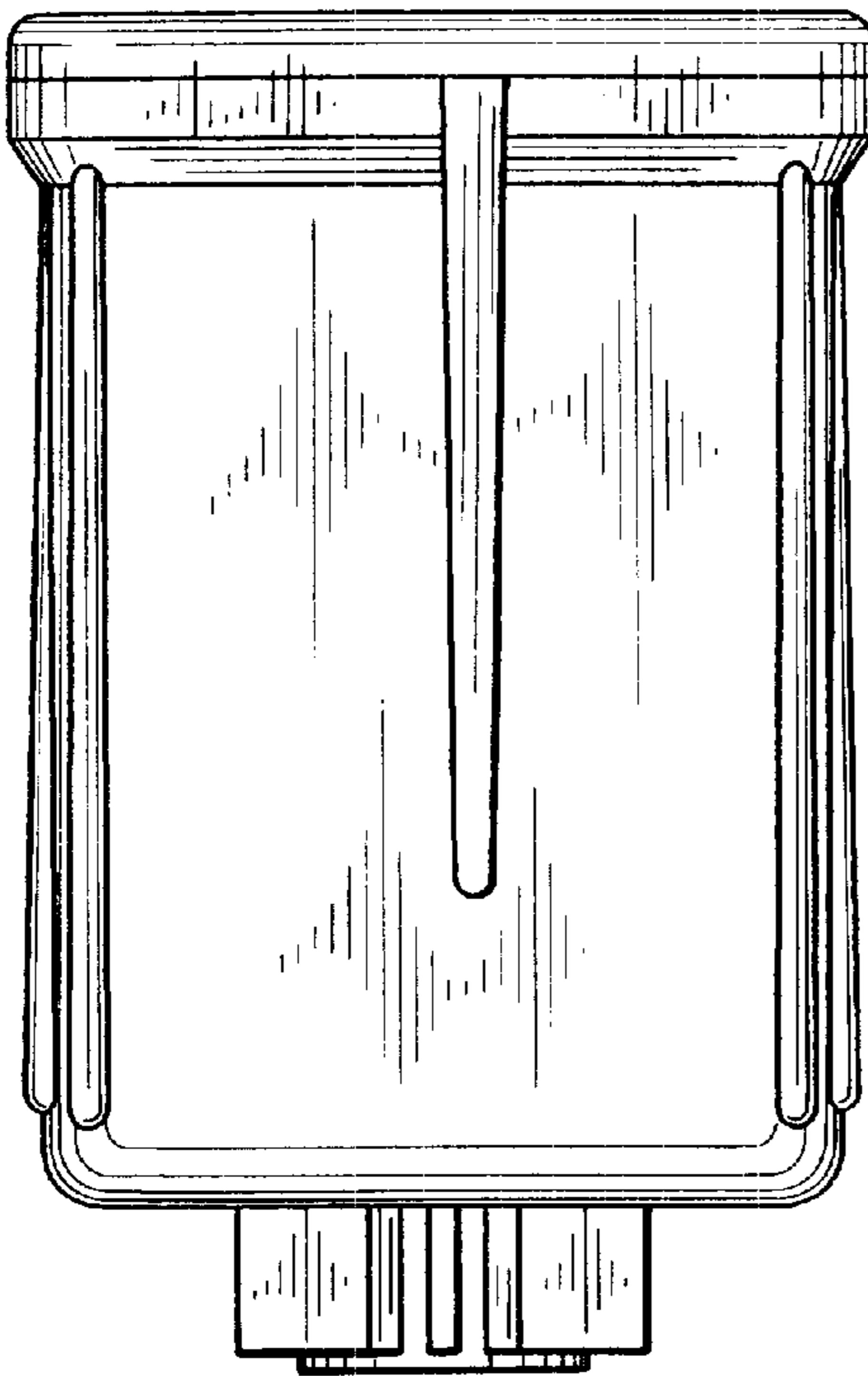


FIG. 6

