



US00D454903S

(12) **United States Design Patent**
Kawamoto et al.

(10) **Patent No.:** **US D454,903 S**
(45) **Date of Patent:** **** Mar. 26, 2002**

(54) **VIDEO PROJECTOR**

(75) Inventors: **Kuniyuki Kawamoto**, Osaka;
Sadayoshi Azuma, Kyoto, both of (JP)

(73) Assignee: **Matsushita Electric Industrial Co., Ltd.**, Osaka (JP)

(**) Term: **14 Years**

(21) Appl. No.: **29/142,762**

(22) Filed: **May 31, 2001**

(30) **Foreign Application Priority Data**

Dec. 4, 2000 (JP) 2000-034564

(51) **LOC (7) Cl.** **16-02**

(52) **U.S. Cl.** **D16/231; D16/225**

(58) **Field of Search** **D16/205, 208, D16/221, 225, 230, 231, 234; D21/514; 353/115, 119, 122; 352/34, 242**

(56) **References Cited**

U.S. PATENT DOCUMENTS

5,868,485	A	*	2/1999	Fujimori et al.	353/119
D429,270	S	*	8/2000	Ishibashi et al.	D16/231
D438,555	S	*	3/2001	Shiota	D16/231
D439,594	S	*	3/2001	Komatsu et al.	D16/231
D441,387	S	*	5/2001	Saeki et al.	D16/230
D443,884	S	*	6/2001	Goto et al.	D16/230

OTHER PUBLICATIONS

Panasonic (Matsushita Electric) catalog, "Television System," p. 2 (TH-LC50J); p. 3 (TH-L711J); p. 4 (TH-L759J); p. 5 (TH-L798JX) and p. 11 (TH-D9600J), Dec., 2000. Sharp catalog, "XV-Z5000" and "XV-C1", Sep., 2000.

* cited by examiner

Primary Examiner—Adir Aronovich

(74) *Attorney, Agent, or Firm*—Christensen O'Connor Johnson Kindness PLLC

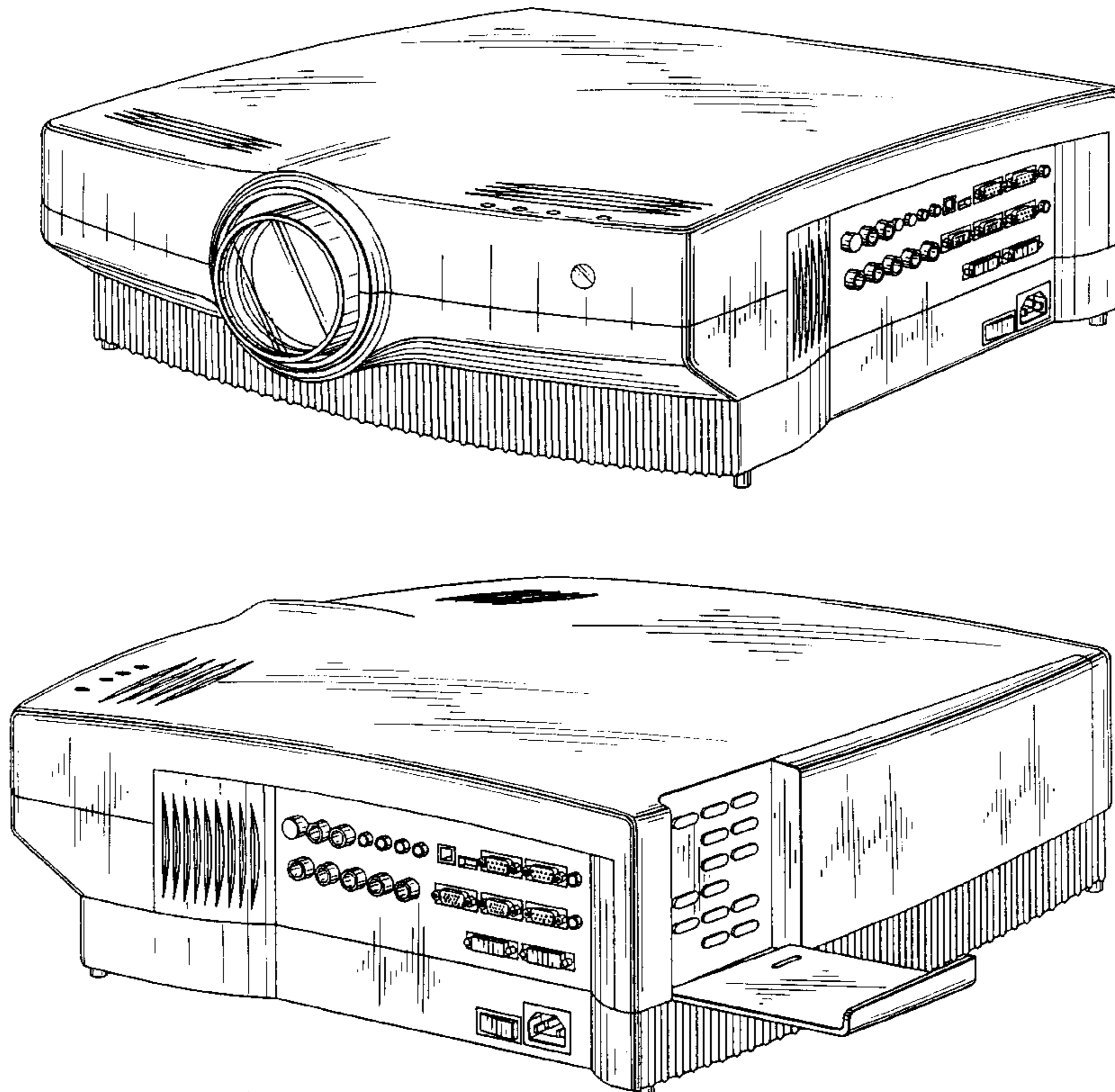
(57) **CLAIM**

The ornamental design for a video projector, as shown and described.

DESCRIPTION

FIG. 1 is a perspective view of the front, top and right side of a video projector showing our new design;
FIG. 2 is a front view thereof;
FIG. 3 is a top plan view thereof;
FIG. 4 is a right side view thereof;
FIG. 5 is a left side view thereof;
FIG. 6 is a bottom view thereof;
FIG. 7 is a rear view thereof;
FIG. 8 is a front view thereof with the lens in upper position; and,
FIG. 9 is a perspective view of the rear, top and right side thereof with the lid in open condition.

1 Claim, 5 Drawing Sheets



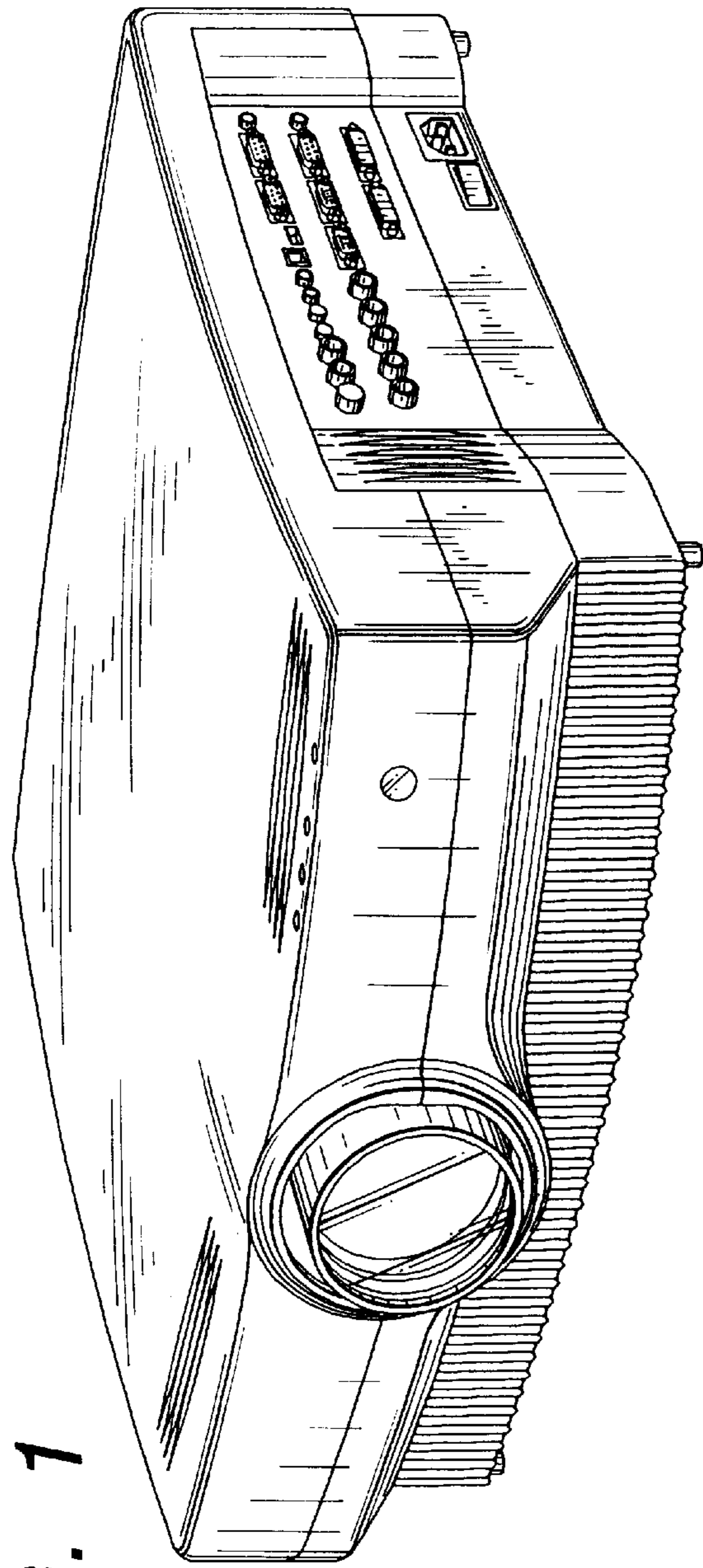


FIG. 1

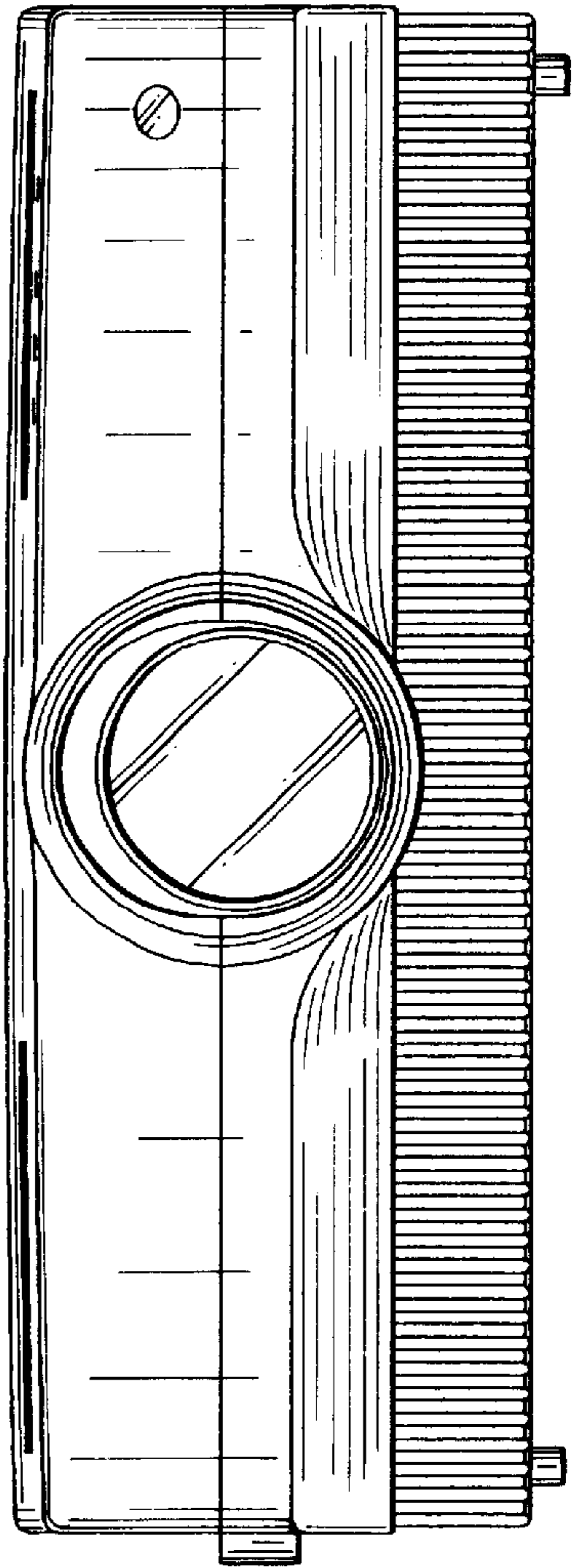


FIG. 2

FIG. 3

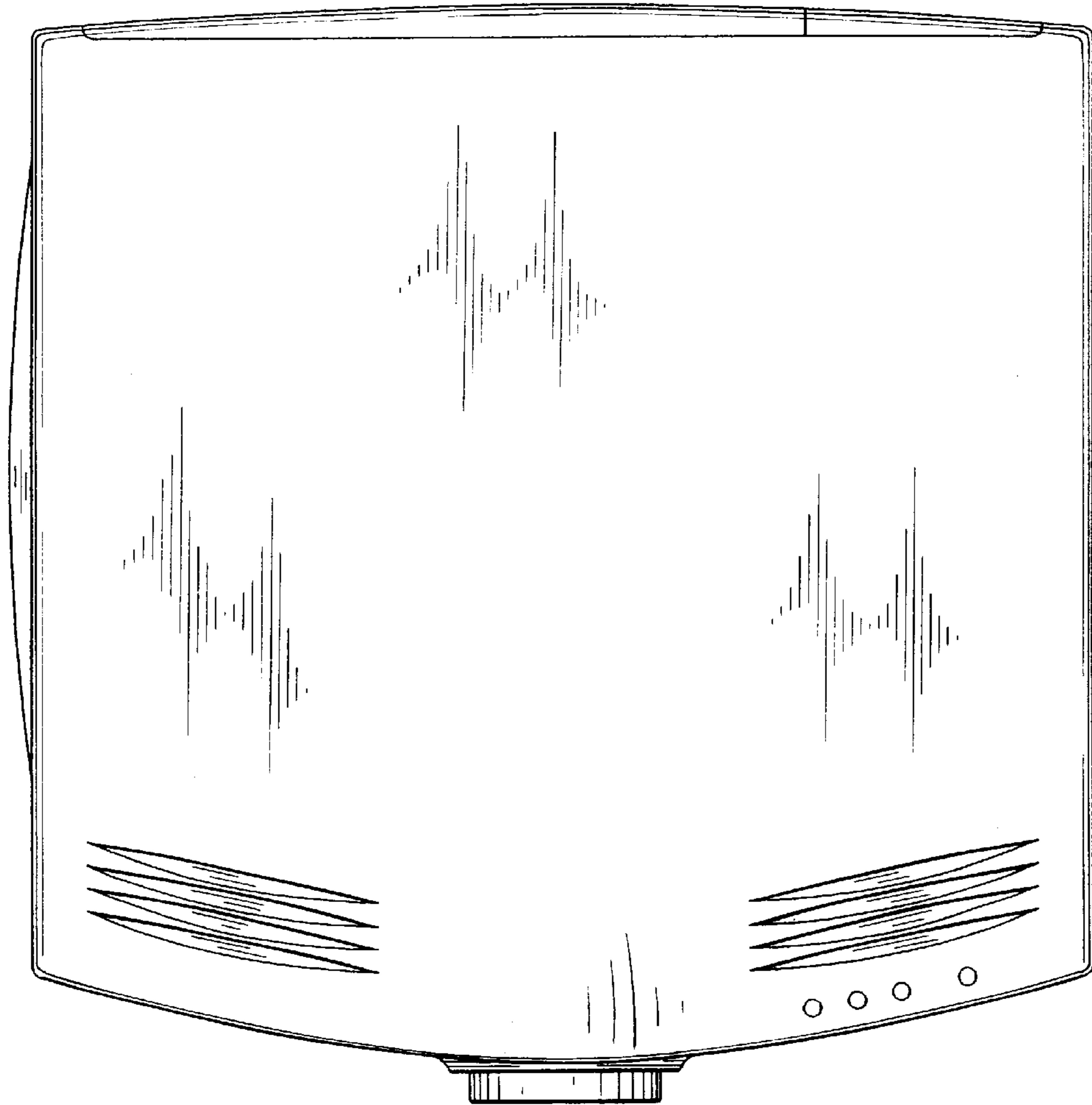


FIG. 4

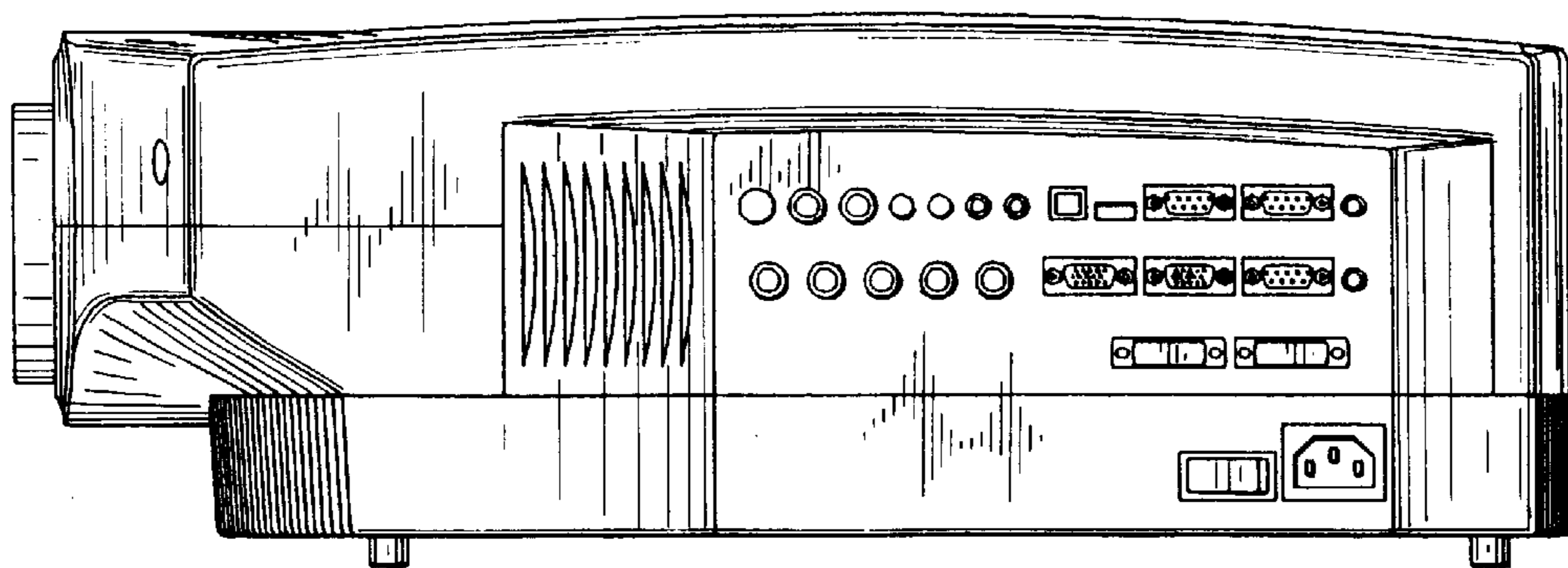


FIG. 5

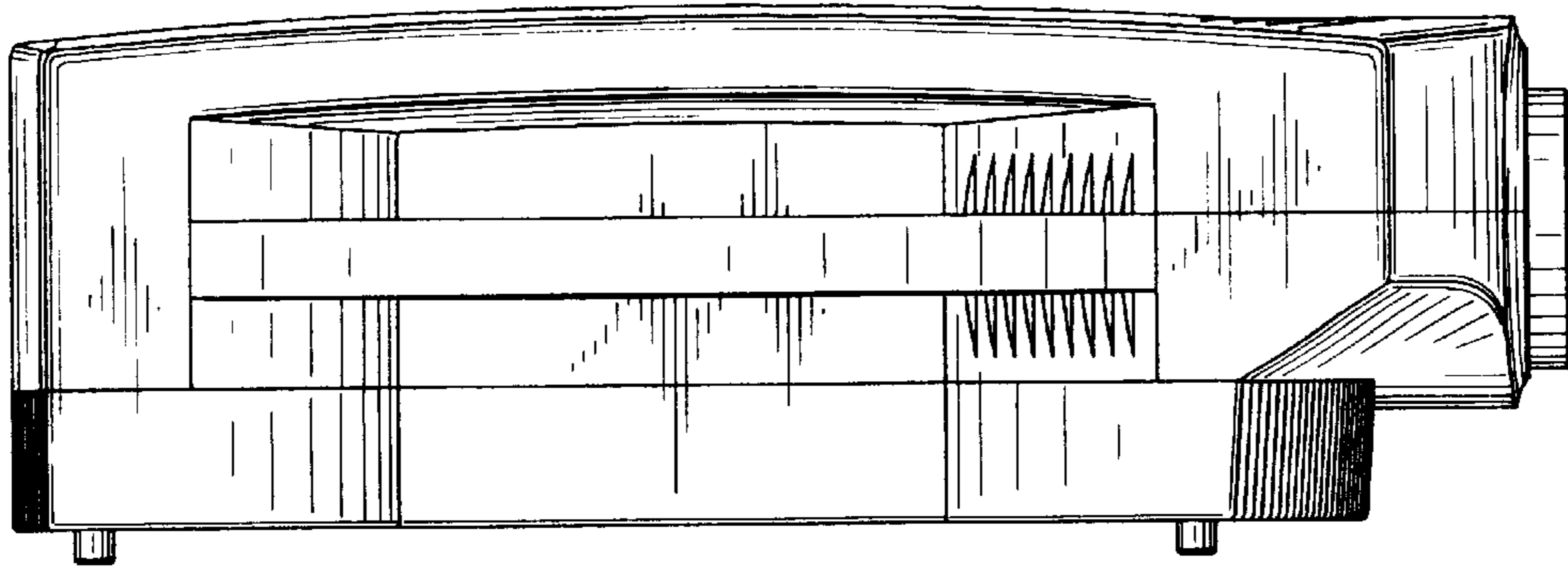


FIG. 6

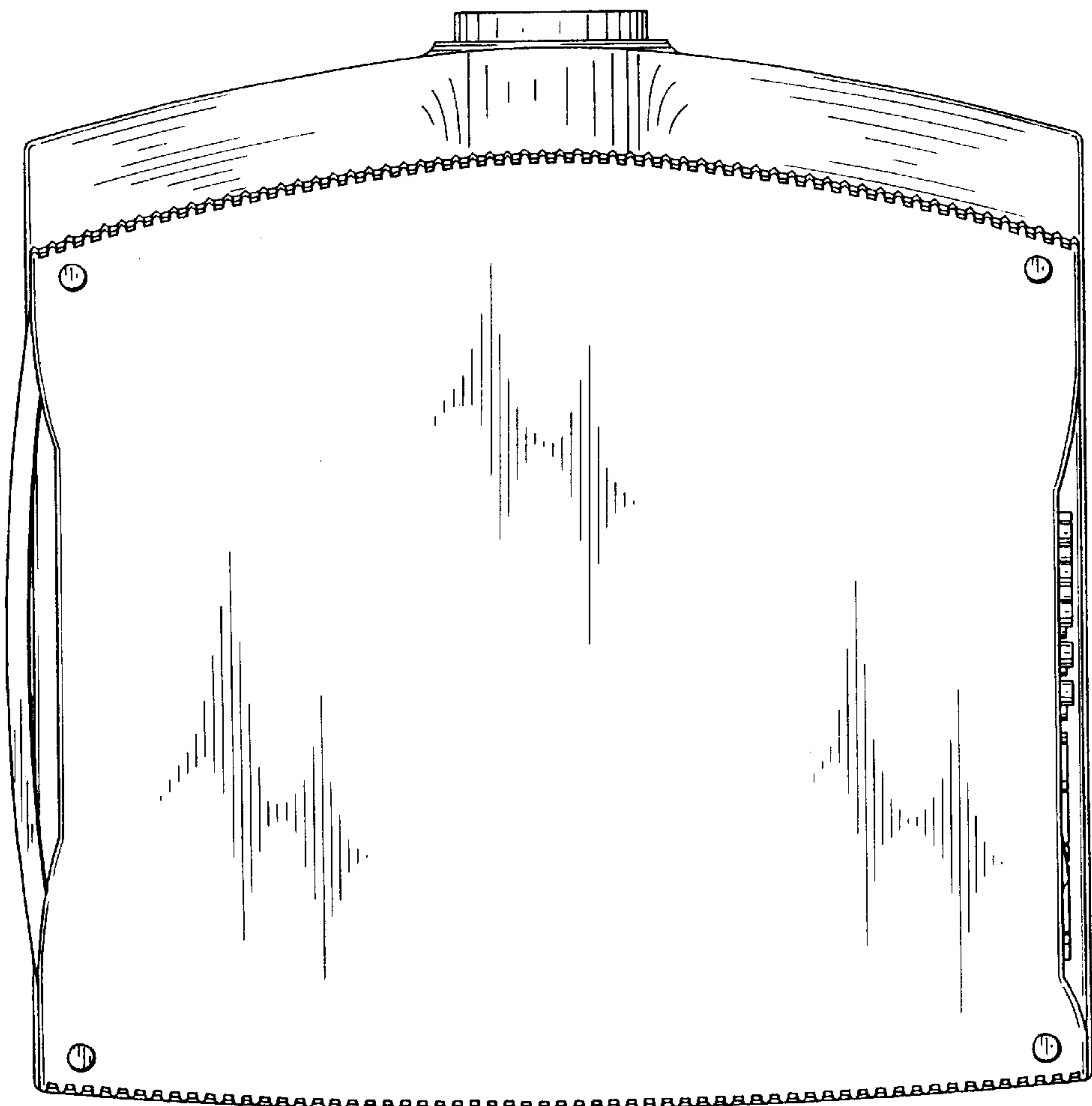


FIG. 7

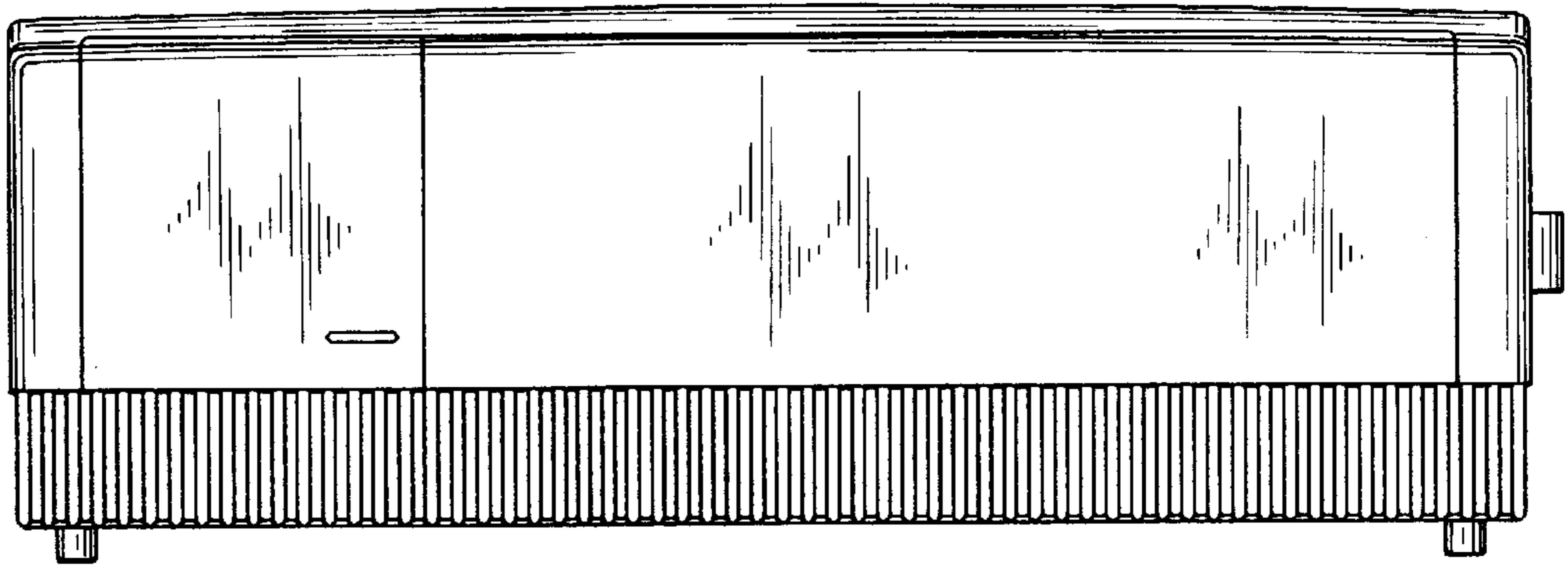


FIG. 8

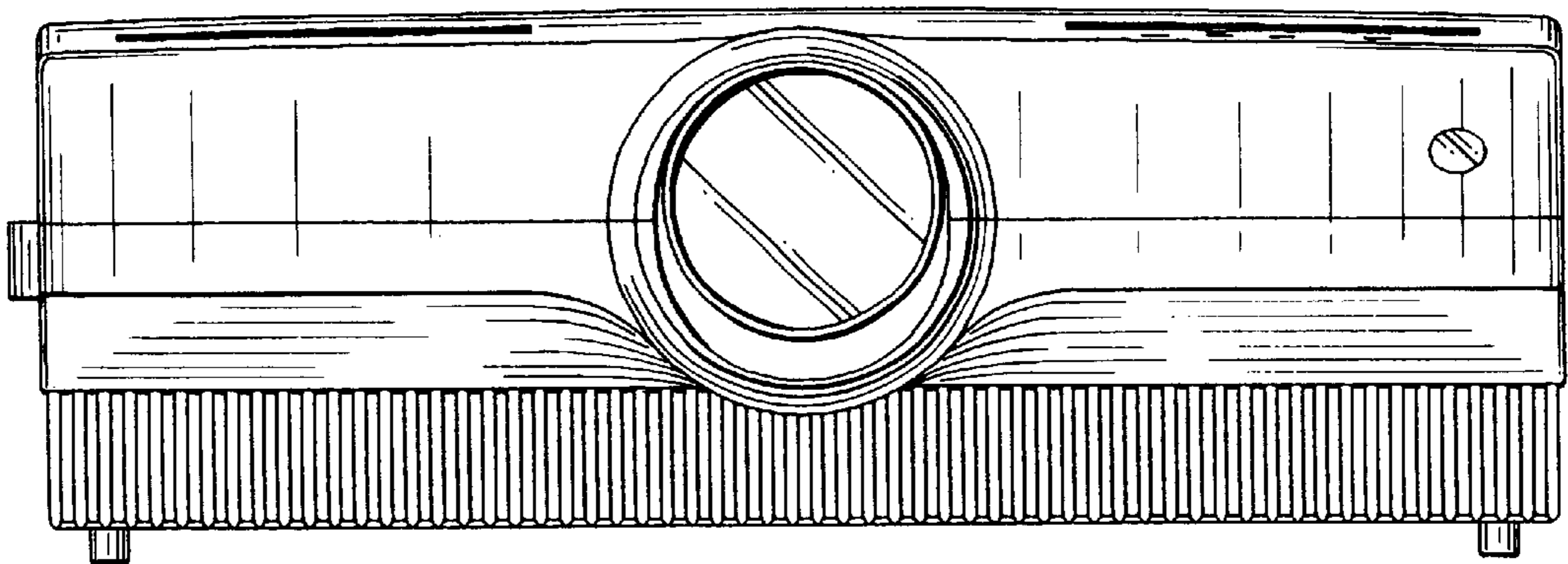


FIG. 9

