



US00D454900S

(12) **United States Design Patent**
Tsang et al.

(10) **Patent No.:** **US D454,900 S**

(45) **Date of Patent:** **** Mar. 26, 2002**

(54) **VIDEO CAMERA**

D447,758 S * 9/2001 Lin et al. D16/202

(75) Inventors: **Sammy Tsang**, Alameda; **Jaime R. Bautista**; **Jochen Backs**, both of San Francisco, all of CA (US)

OTHER PUBLICATIONS

Harris Corporation Catalog, Cover page 1990.*

* cited by examiner

(73) Assignee: **Logitech Europe S.A.**, Romanel-sur Morges (CH)

Primary Examiner—Adir Aronovich

(**) Term: **14 Years**

(74) *Attorney, Agent, or Firm*—Townsend and Townsend and Crew LLP

(21) Appl. No.: **29/141,962**

(57) **CLAIM**

(22) Filed: **May 15, 2001**

The ornamental design for video camera, as shown and described.

(51) **LOC (7) Cl.** **16-01**

DESCRIPTION

(52) **U.S. Cl.** **D16/202**

(58) **Field of Search** D14/130; D16/200–205; 348/14.08, 14.09, 14.1, 14.11–14.16, 373–346; 358/906, 909.1; 396/535–541

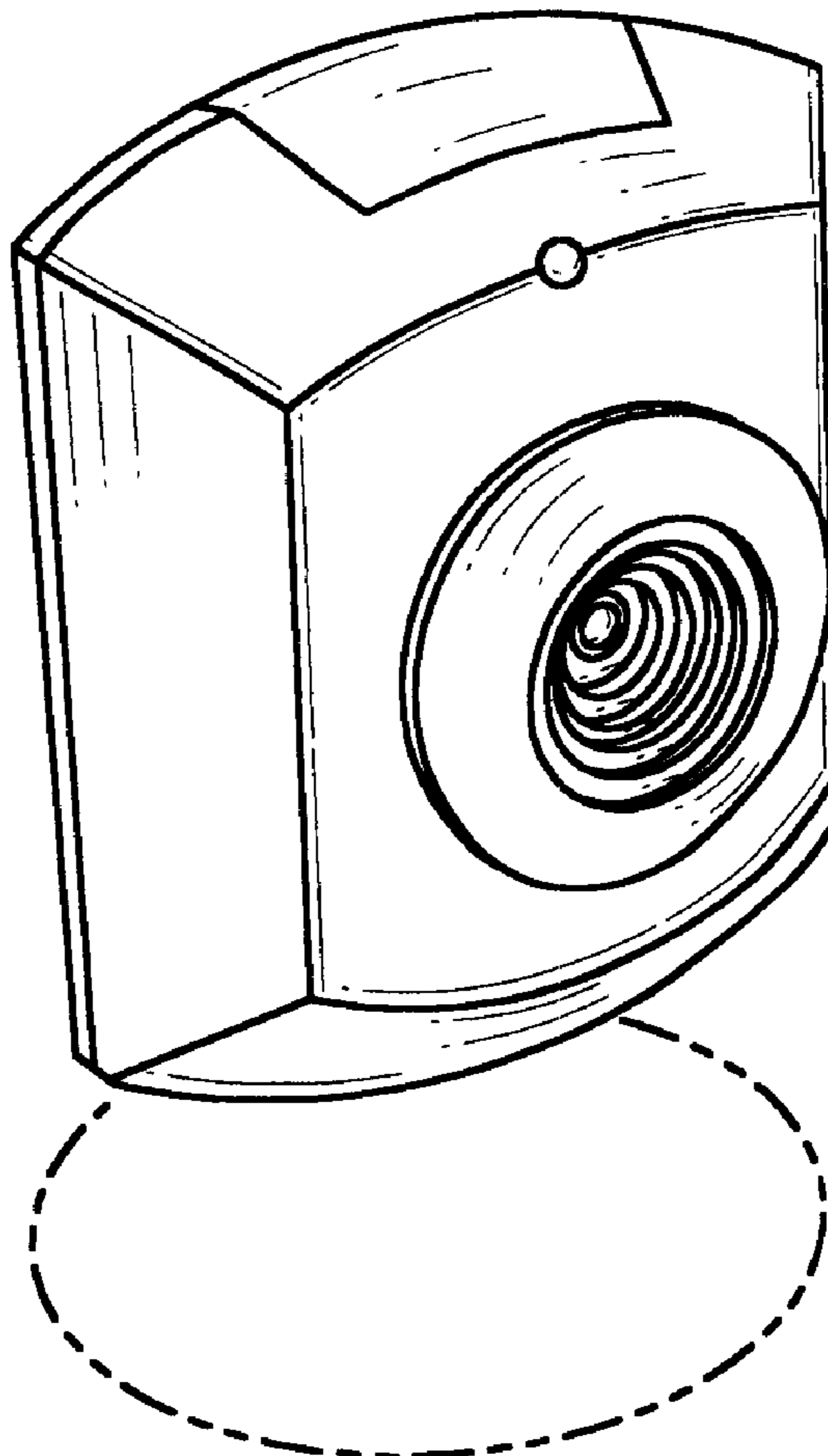
FIG. 1 is a perspective view of a video camera showing our new design, the broken line showing of a base is to illustrate environment only and forms no part of the claimed design; FIG. 2 is a front elevational view thereof; FIG. 3 is a left side elevational view, the right side elevational view being a mirror image thereof; FIG. 4 is a top plan view thereof; FIG. 5 is a rear elevational view thereof; and, FIG. 6 is bottom plan view thereof.

(56) **References Cited**

U.S. PATENT DOCUMENTS

- D387,789 S * 12/1997 Sumida et al. D16/202
- D390,244 S * 2/1998 Yamakawa et al. D16/202
- D394,274 S * 5/1998 Suzuki D16/202
- D396,869 S * 8/1998 Yamakawa et al. D16/202

1 Claim, 2 Drawing Sheets



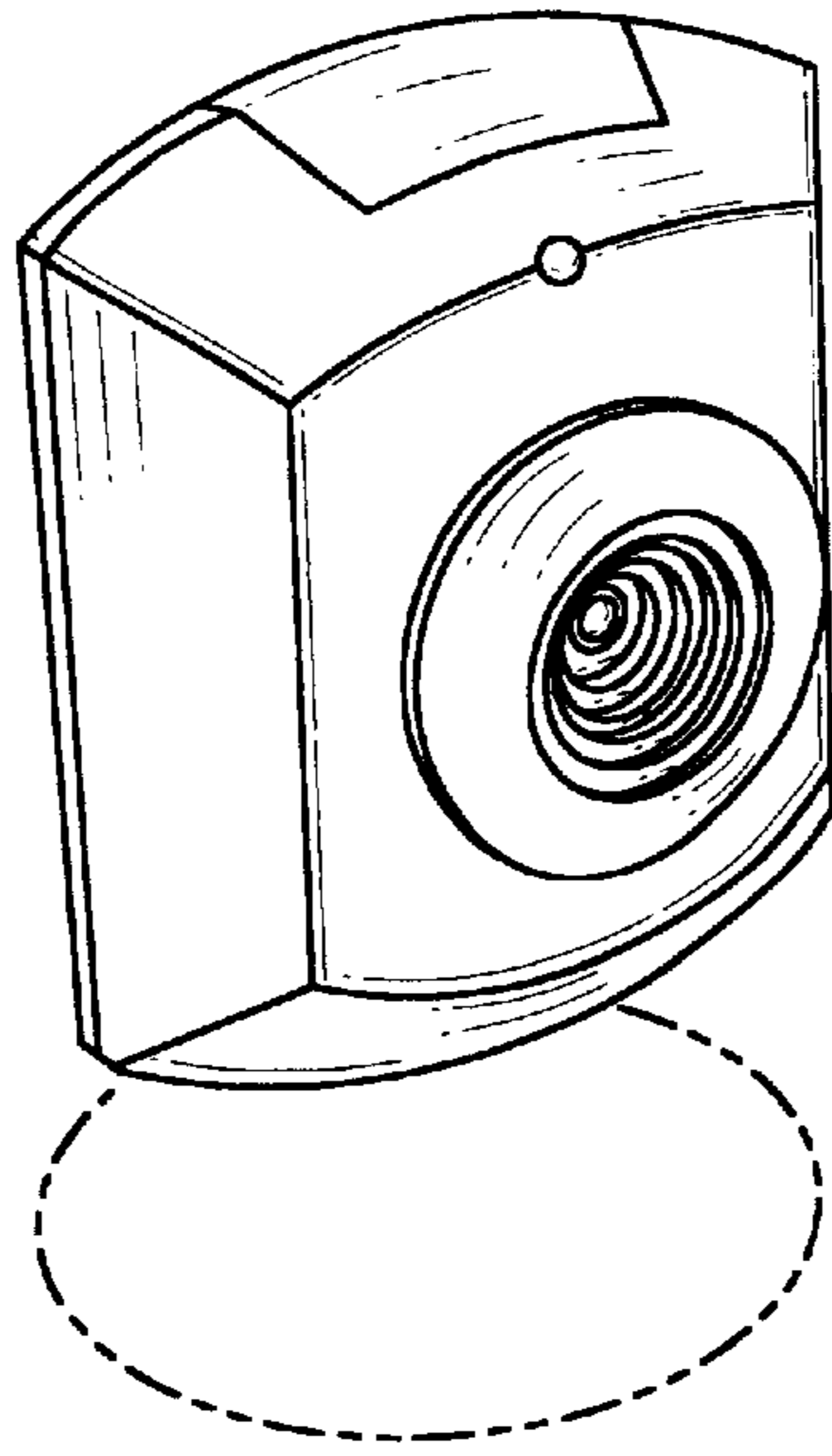


FIG. 1

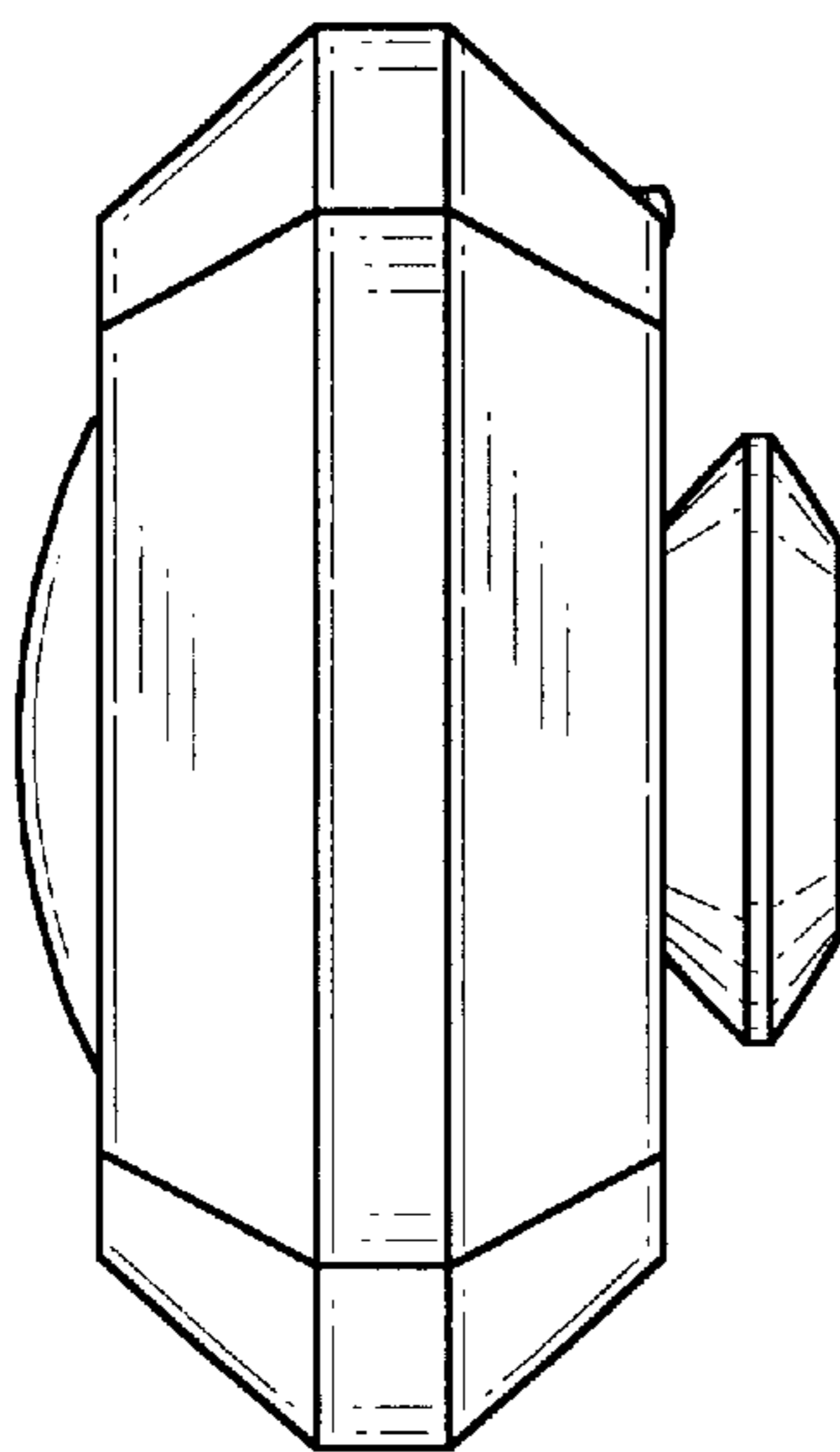


FIG. 3

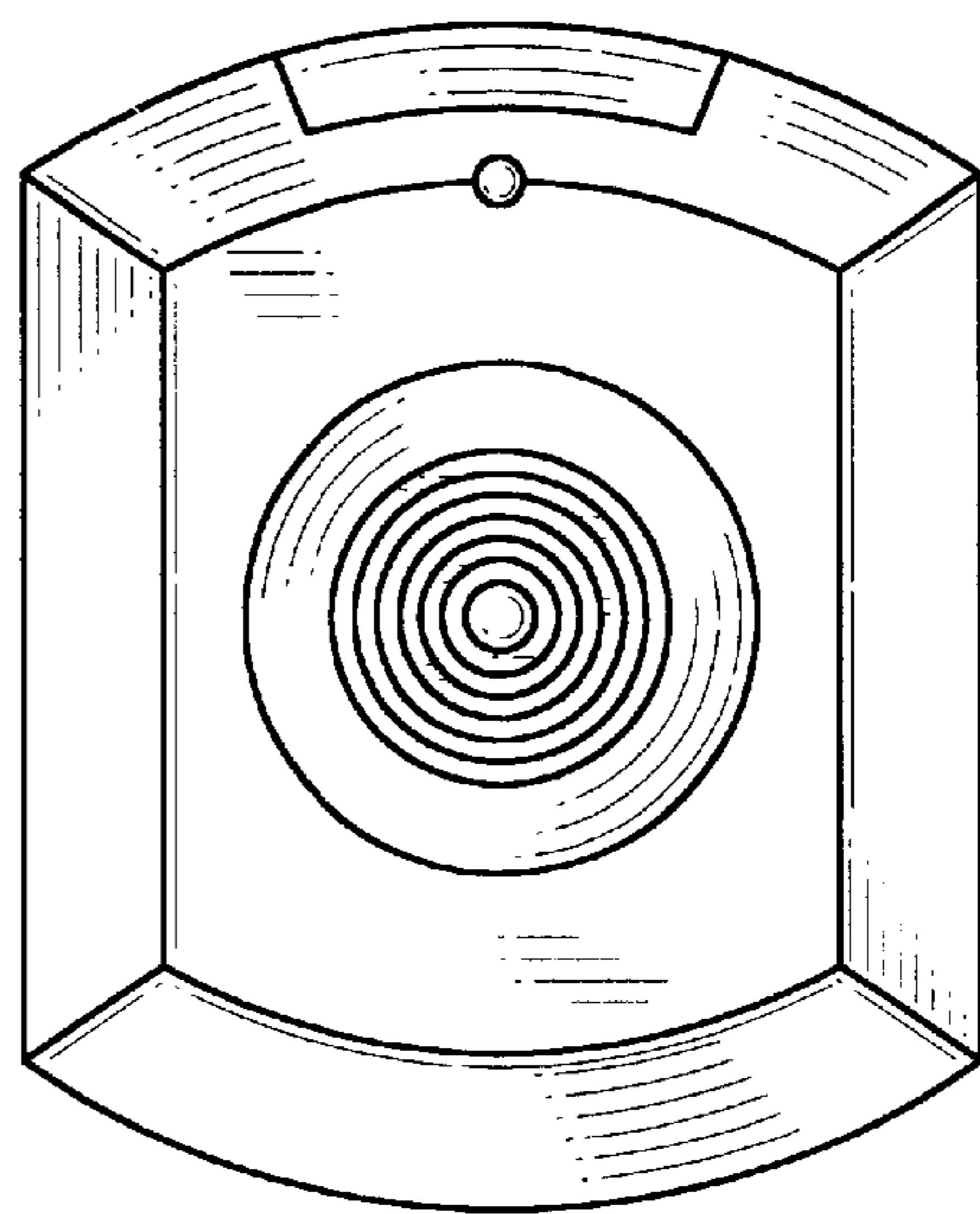


FIG. 2

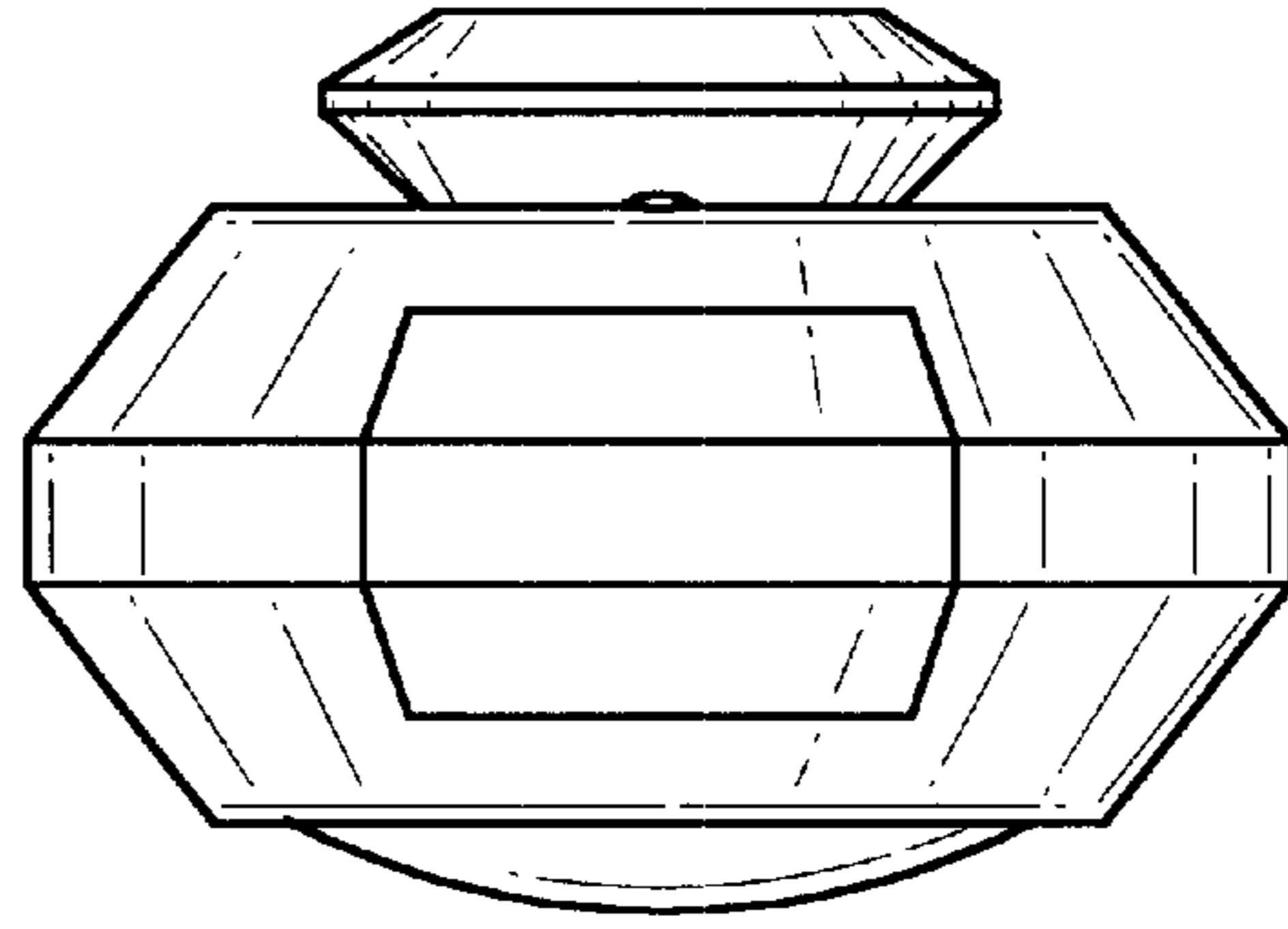


FIG. 4

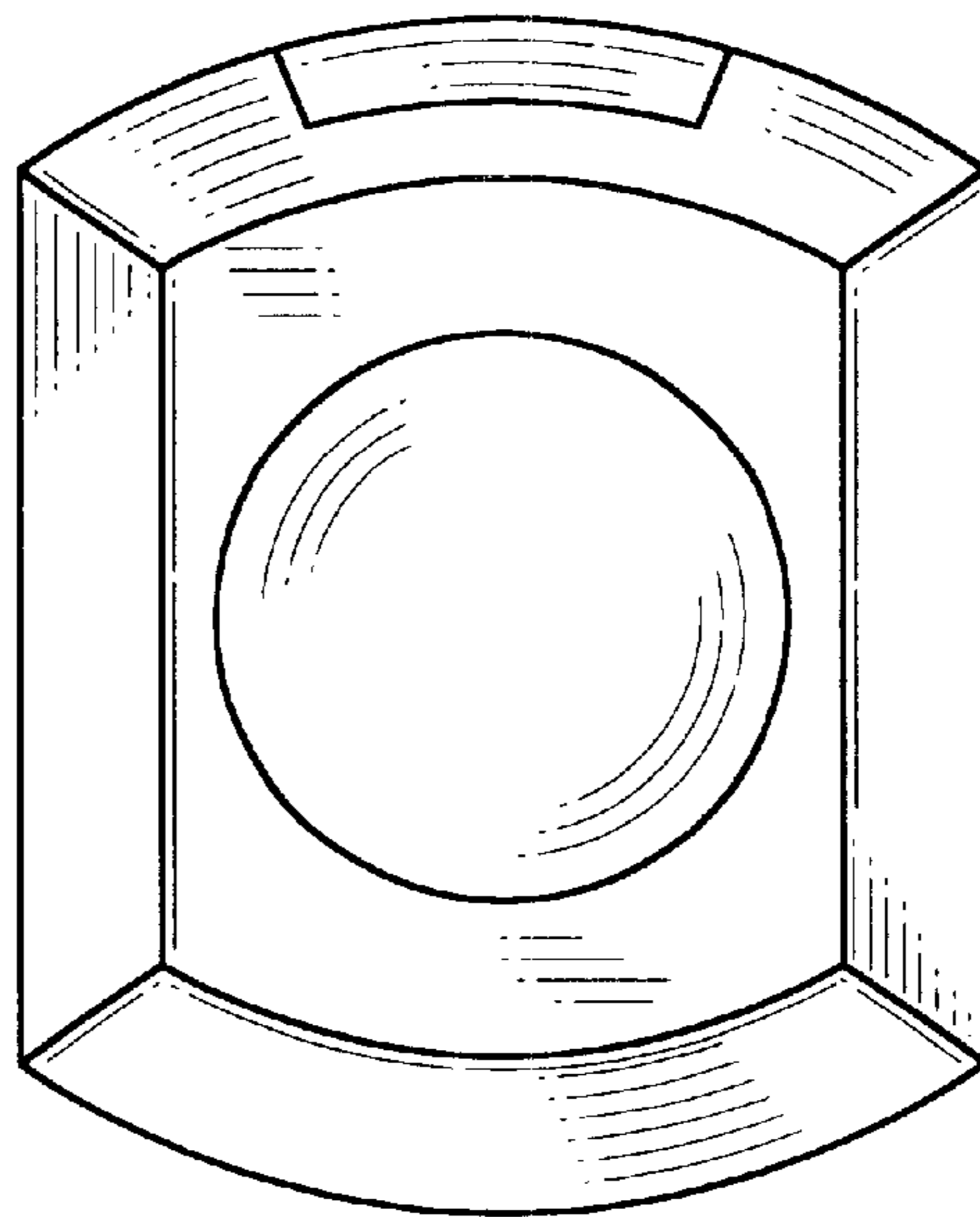


FIG. 5

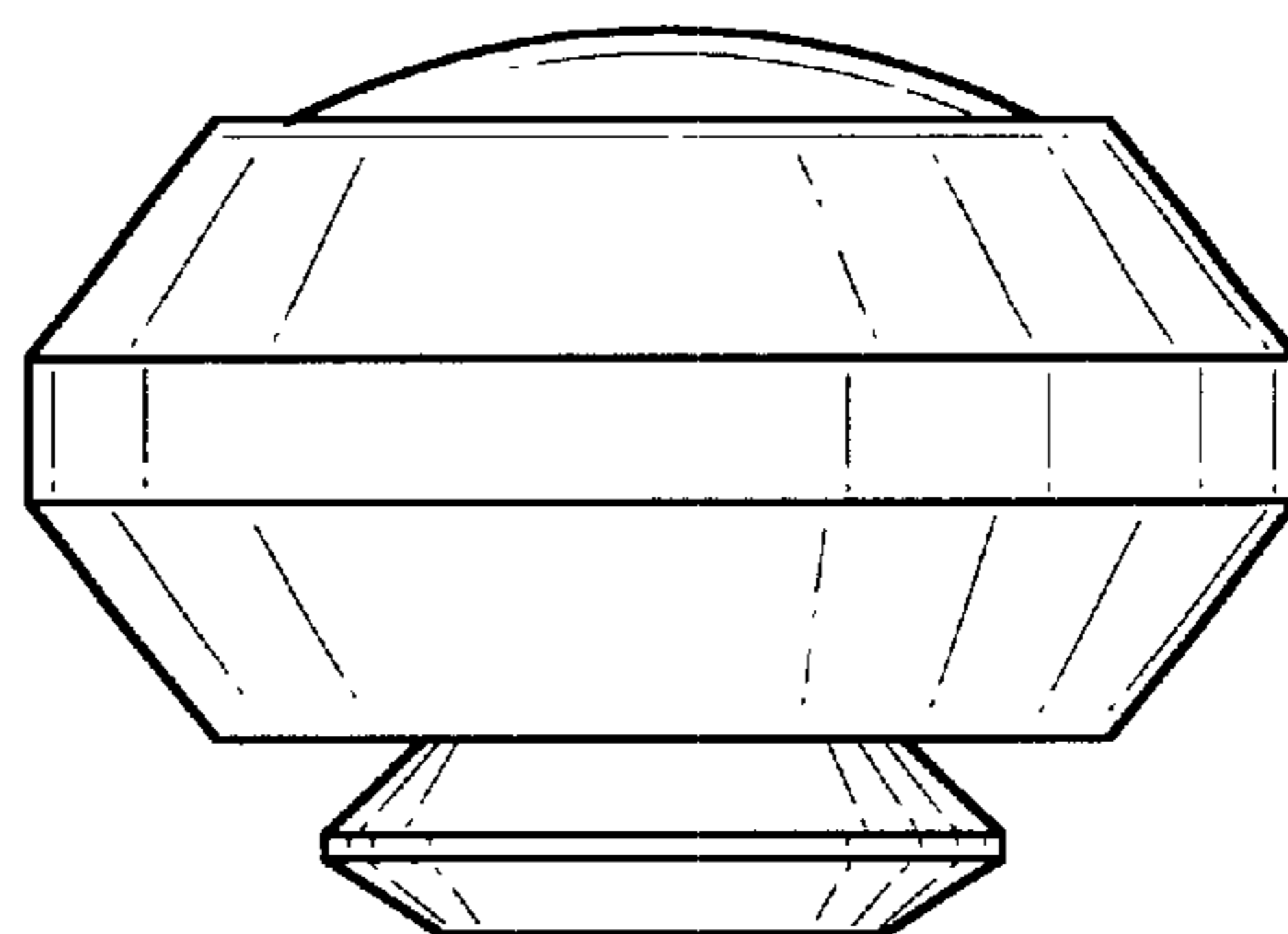


FIG. 6