

US00D454899S

(12) **United States Design Patent**  
**Hedrick et al.**

(10) **Patent No.:** **US D454,899 S**  
(45) **Date of Patent:** **\*\* Mar. 26, 2002**

(54) **SINGLE FORK ARM TELESCOPE MOUNT**

(75) Inventors: **Rick Hedrick**, San Pedro; **Manishi Gupta**, Los Alamitos; **Joseph R. Garrison**, Garden Grove, all of CA (US)

(73) Assignee: **Celestron International**, Torrance, CA (US)

(\*\*) Term: **14 Years**

(21) Appl. No.: **29/145,605**

(22) Filed: **Jul. 27, 2001**

(51) **LOC (7) Cl.** ..... **16-06**

(52) **U.S. Cl.** ..... **D16/132**

(58) **Field of Search** ..... D16/130, 132,  
D16/136; 359/430, 210, 822; 396/432;  
33/269, 281

(56) **References Cited**

**U.S. PATENT DOCUMENTS**

2,998,653 A \* 9/1961 Haglund ..... 33/281 X  
3,399,612 A \* 9/1968 Korte ..... 396/432  
3,951,511 A \* 4/1976 Parsons ..... 359/430

D253,598 S \* 12/1979 Bressler ..... D16/132  
4,222,646 A 9/1980 West  
D412,920 S \* 8/1999 Diebel et al. .... D16/132  
D438,221 S \* 2/2001 Hedrick et al. .... D16/132

\* cited by examiner

*Primary Examiner*—Paula A. Mortimer

(74) *Attorney, Agent, or Firm*—Patton Boggs LLP

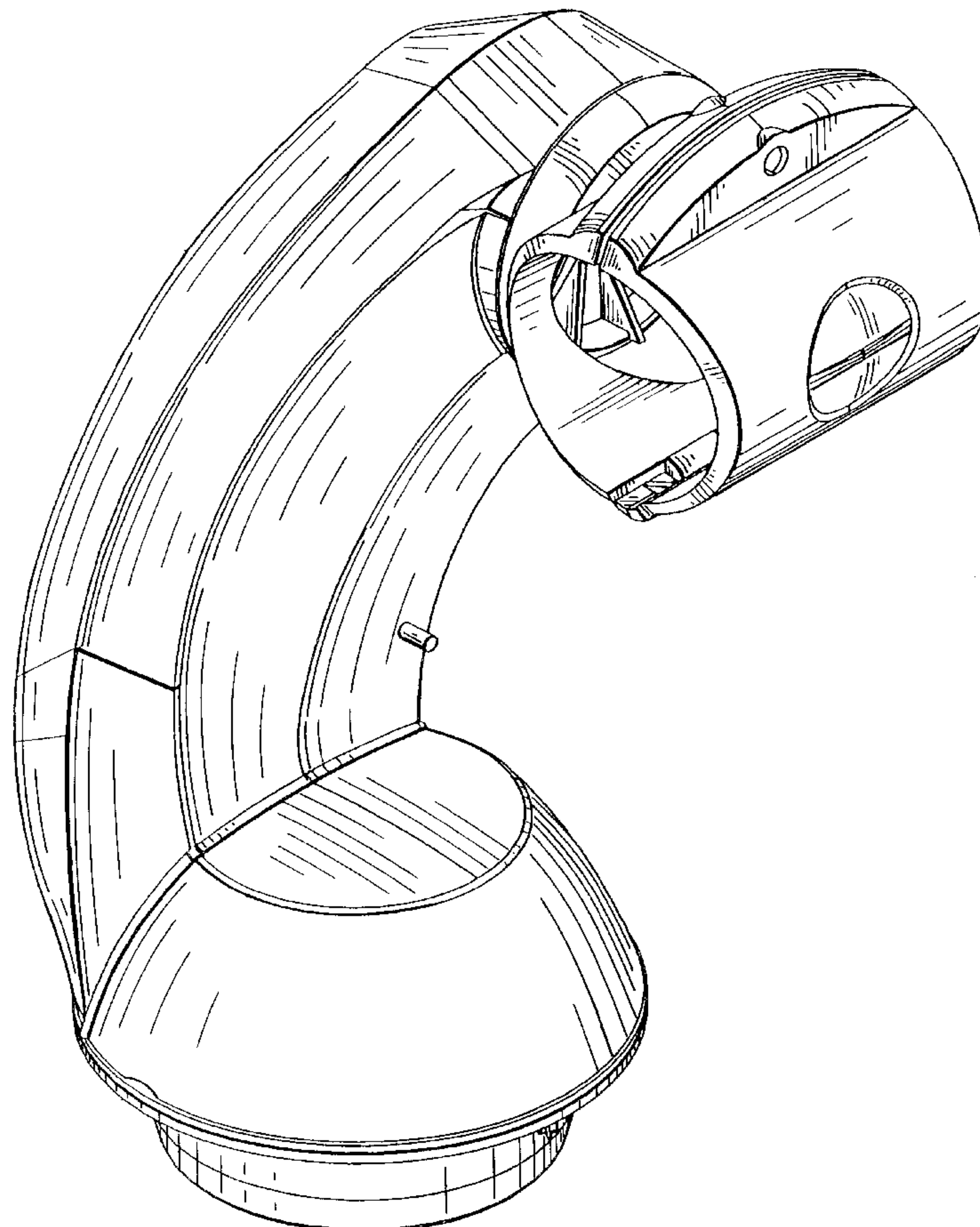
(57) **CLAIM**

The ornamental design for a single fork arm telescope mount, as shown and described.

**DESCRIPTION**

FIG. 1 is a left side view of the single fork arm telescope mount;  
FIG. 2 is a front side view of the single fork arm telescope mount;  
FIG. 3 is a right side view of the single fork arm telescope mount;  
FIG. 4 is a top view of the single fork arm telescope mount;  
FIG. 5 is an isometric view of FIG. 1 of the single fork arm telescope mount; and,  
FIG. 6 is an isometric view of FIG. 2 of the single fork arm telescope mount.

**1 Claim, 6 Drawing Sheets**



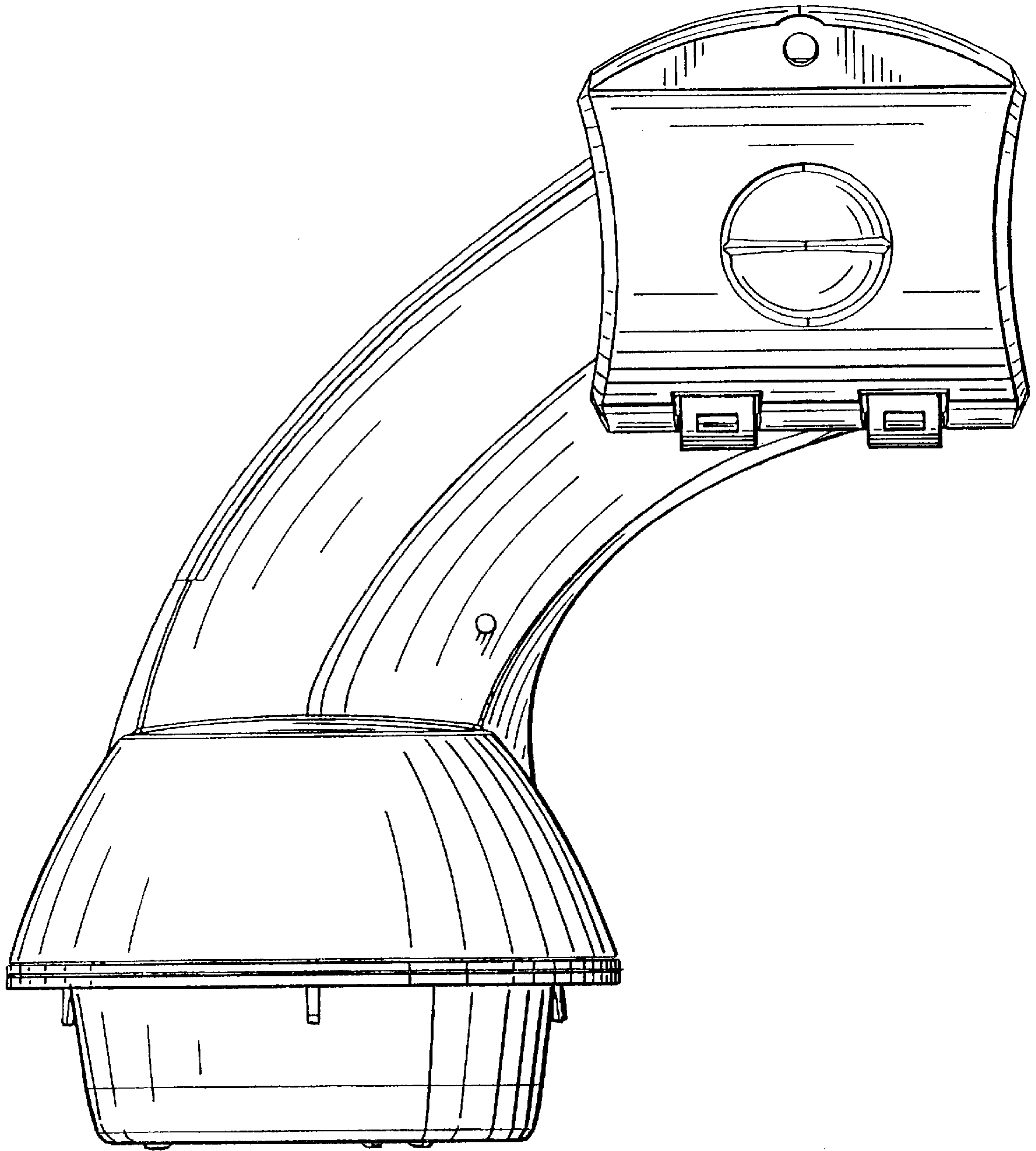


Fig.1

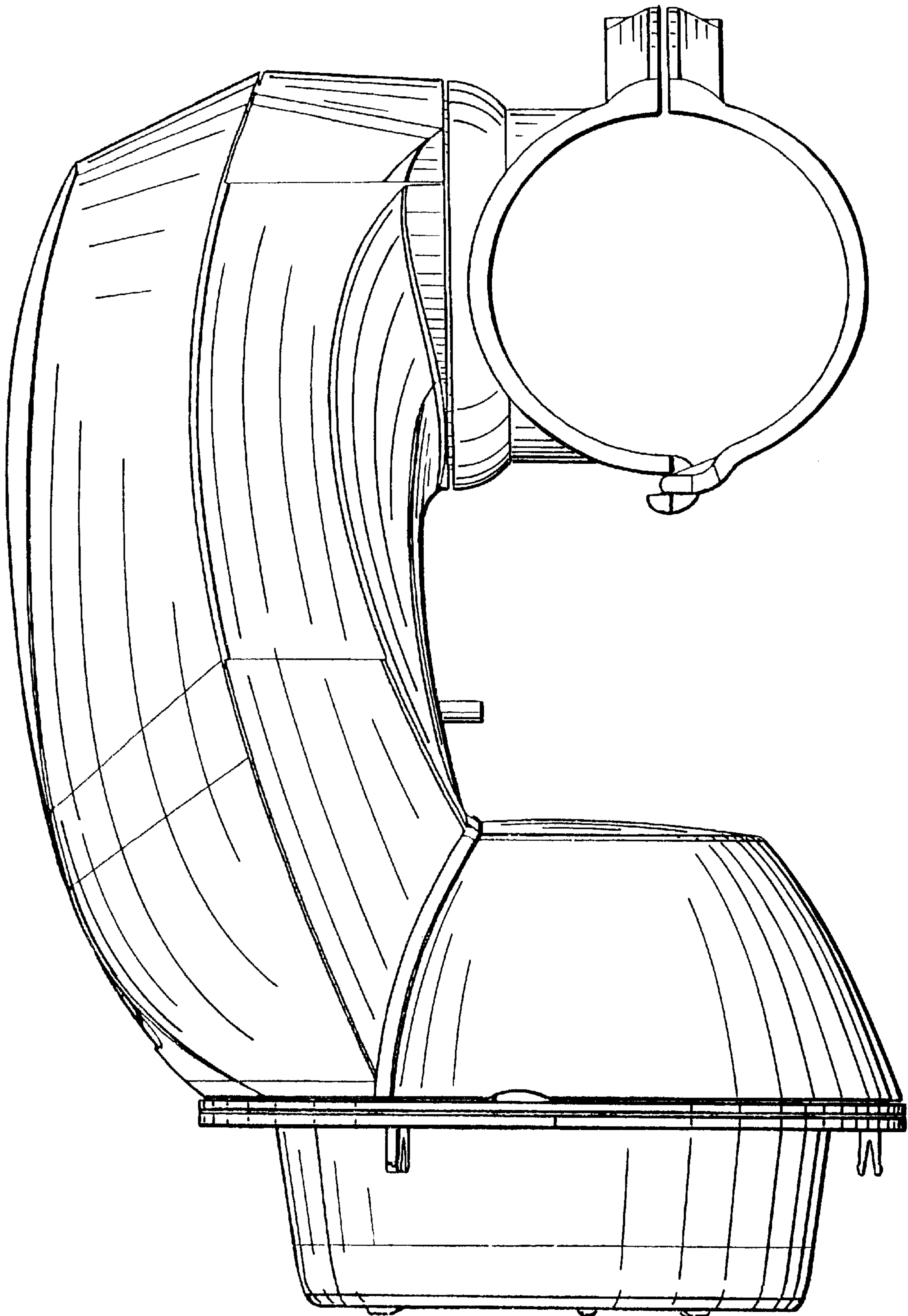


Fig. 2



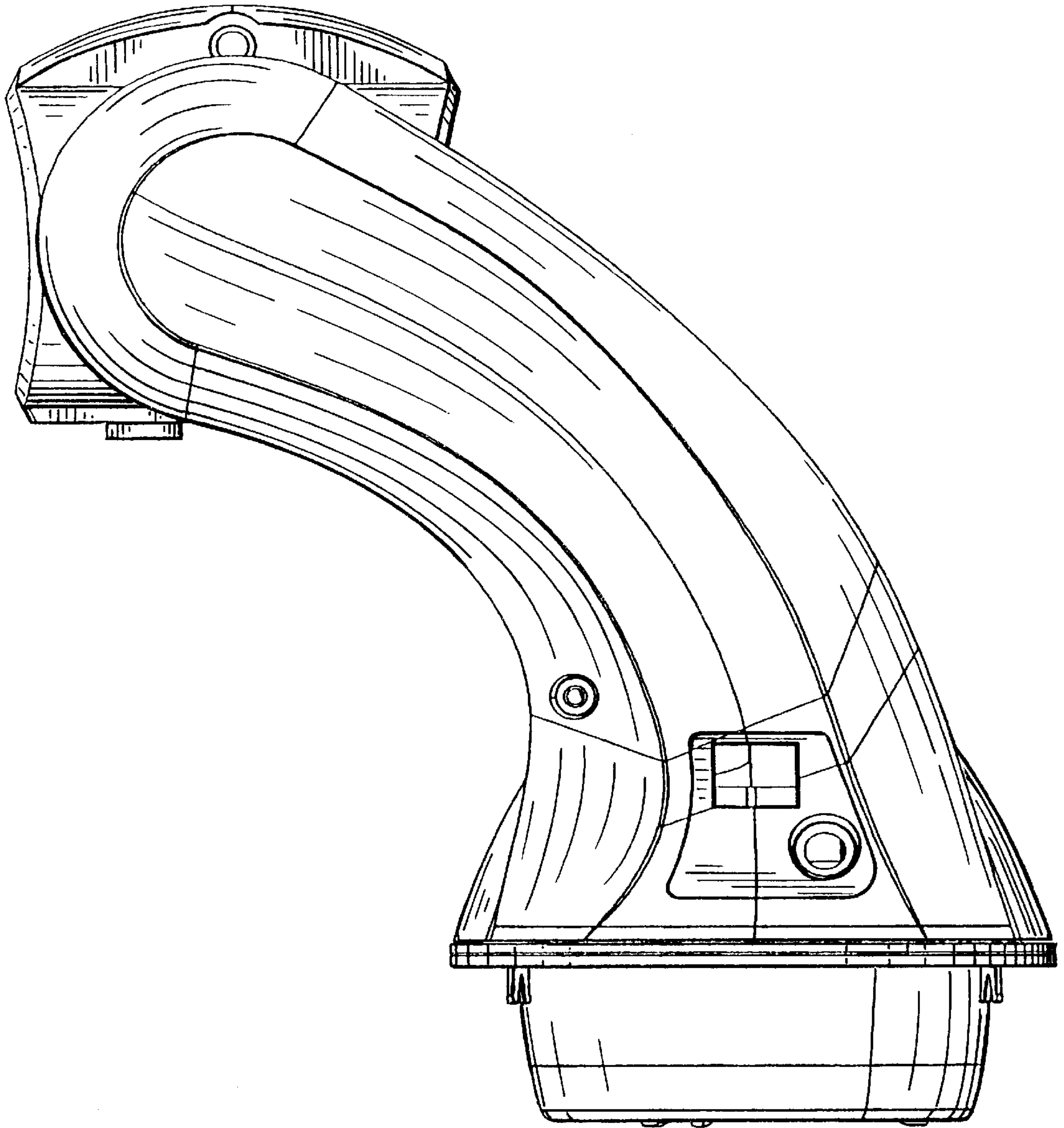


Fig.3

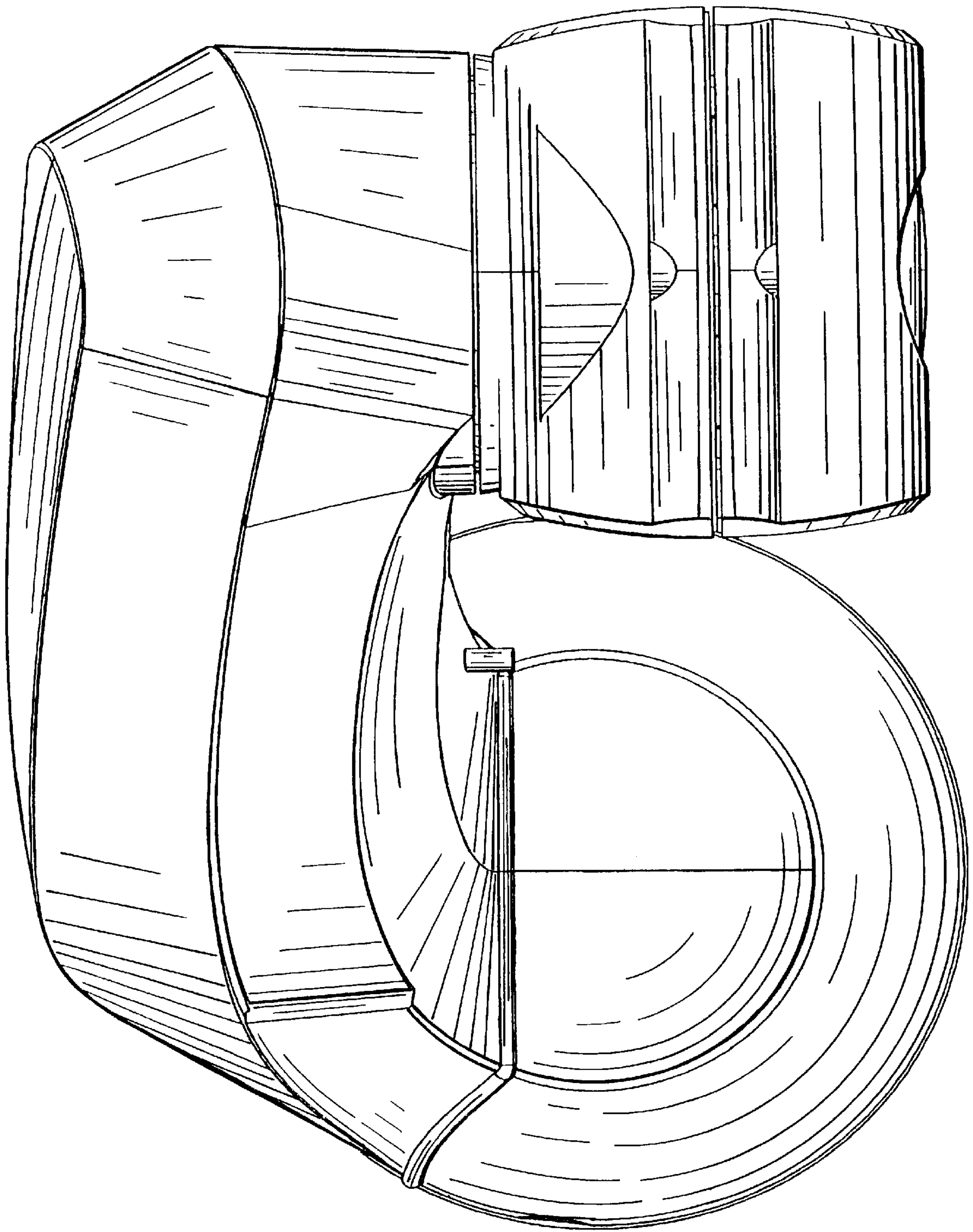


Fig.4

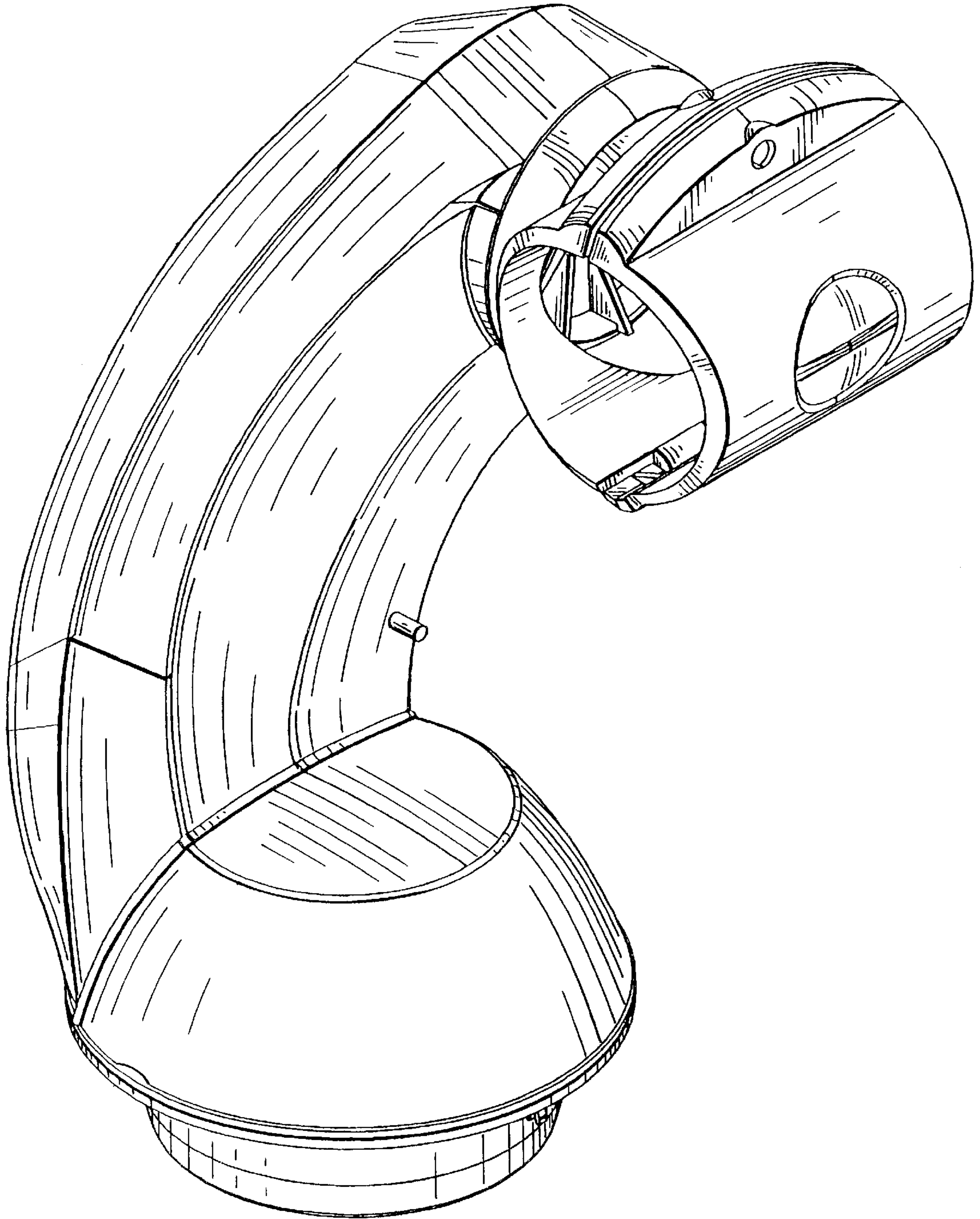


Fig.5



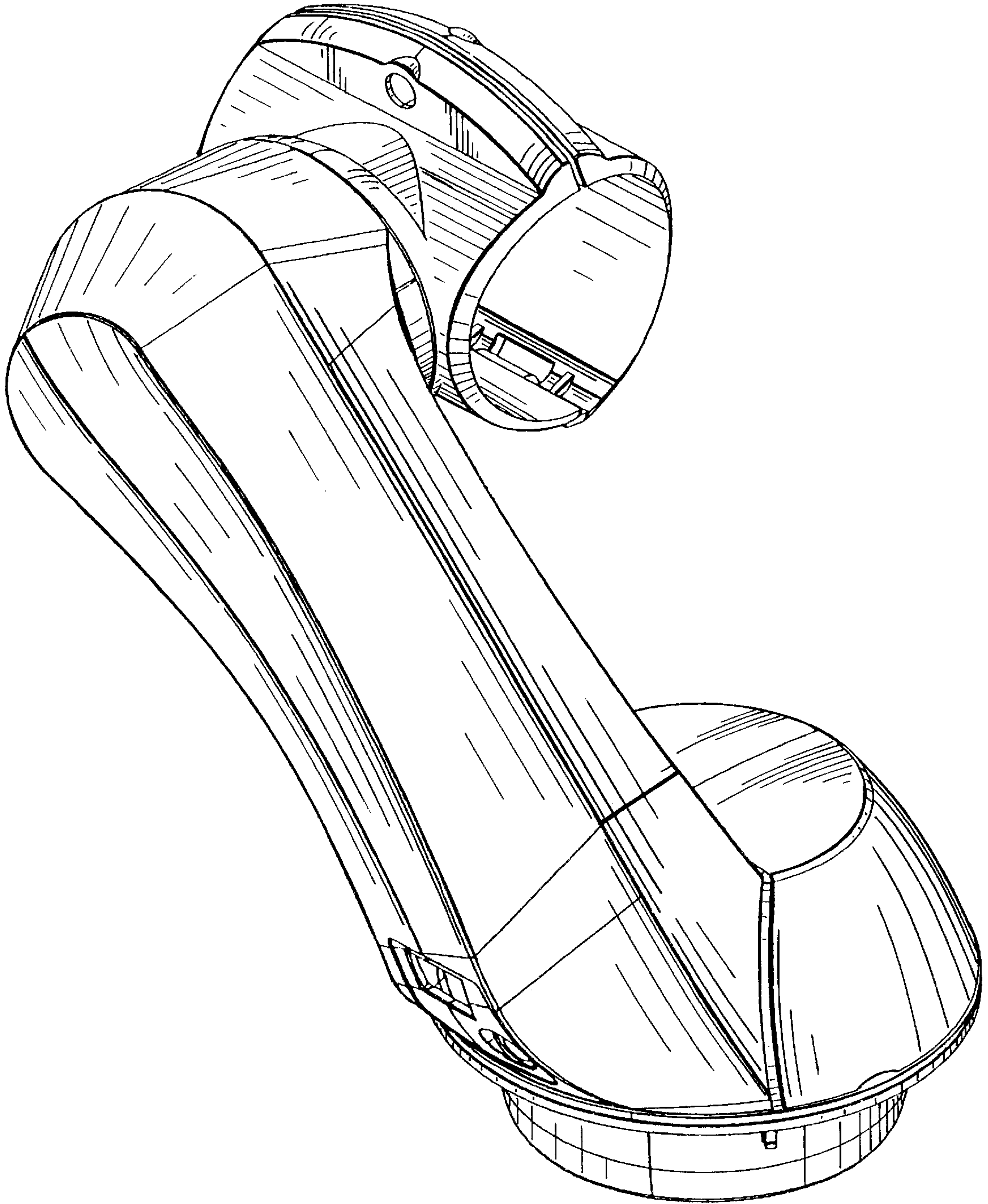


Fig.6