



US00D454898S

(12) **United States Design Patent**
Ogasawara et al.

(10) **Patent No.:** **US D454,898 S**

(45) **Date of Patent:** **** Mar. 26, 2002**

(54) **TELESCOPE BODY**

(75) Inventors: **Takeo Ogasawara**, Tokyo; **Takayuki Ishida**, Gamagori, both of (JP)

(73) Assignee: **Kowa Company Ltd.** (JP)

(**) Term: **14 Years**

(21) Appl. No.: **29/142,586**

(22) Filed: **May 31, 2001**

(51) **LOC (7) Cl.** **16-06**

(52) **U.S. Cl.** **D16/132**

(58) **Field of Search** D16/130, 131,
D16/132; 359/399, 400, 419, 420, 422,
404, 407, 827

(56) **References Cited**

U.S. PATENT DOCUMENTS

D159,719 S * 8/1950 Davidson D16/132
2,610,545 A * 9/1952 Davidson 359/827

D285,802 S * 9/1986 Ogasawara D16/132
D374,021 S * 9/1996 Meinzer D16/132
D390,580 S * 2/1998 Ogasawara et al. D16/132

* cited by examiner

Primary Examiner—Paula A. Mortimer

(74) *Attorney, Agent, or Firm*—Bacon & Thomas, PLLC

(57) **CLAIM**

The ornamental design for a telescope body, as shown and described.

DESCRIPTION

FIG. 1 is a rear elevational view of a telescope body showing our new design;

FIG. 2 is a top plan view thereof;

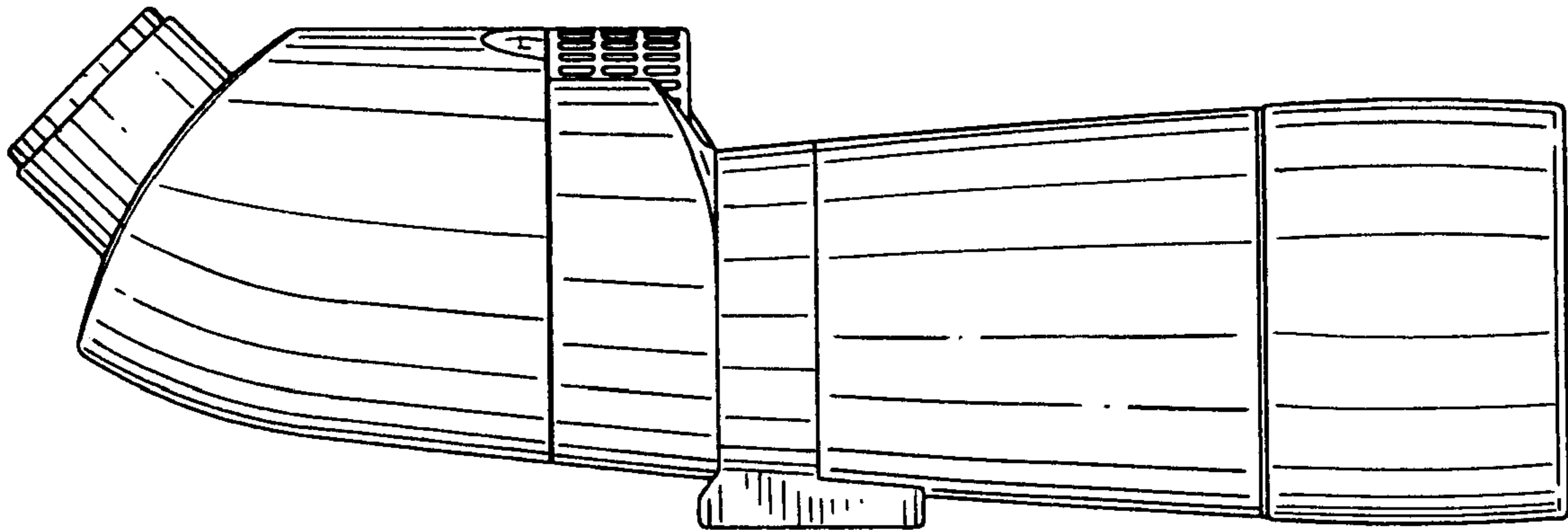
FIG. 3 is a front elevational view thereof;

FIG. 4 is a right side view thereof;

FIG. 5 is a left side view thereof; and,

FIG. 6 is a bottom view thereof.

1 Claim, 2 Drawing Sheets



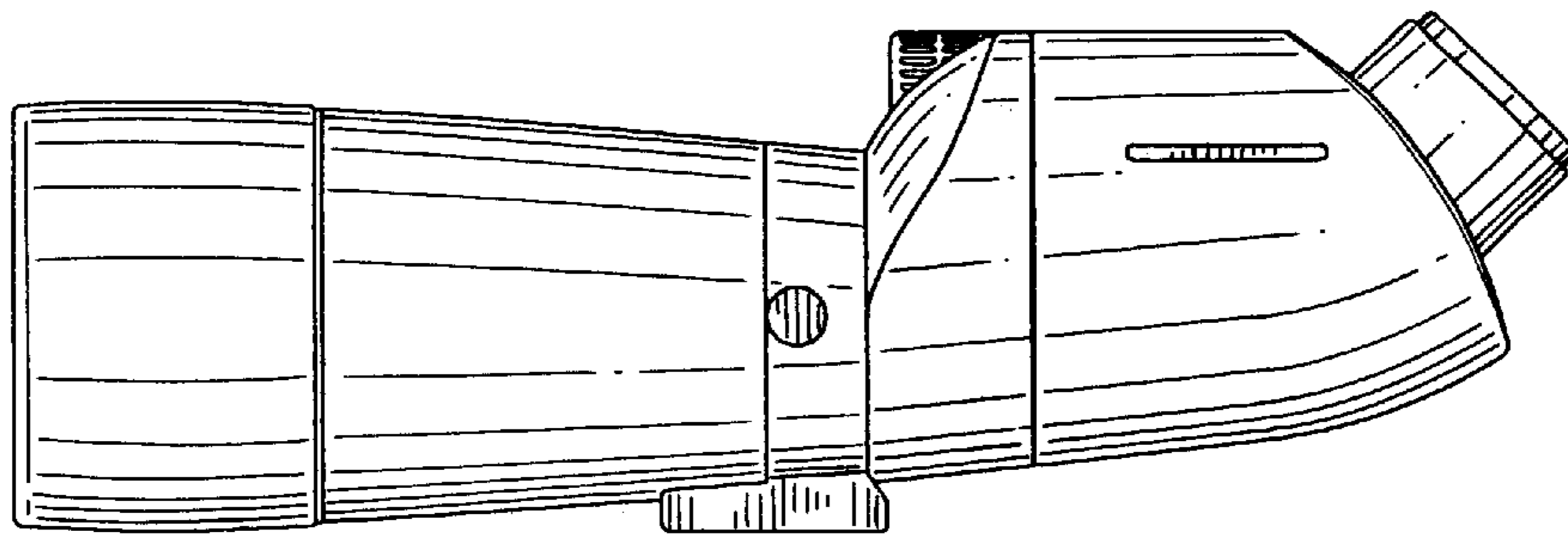


FIG. 1

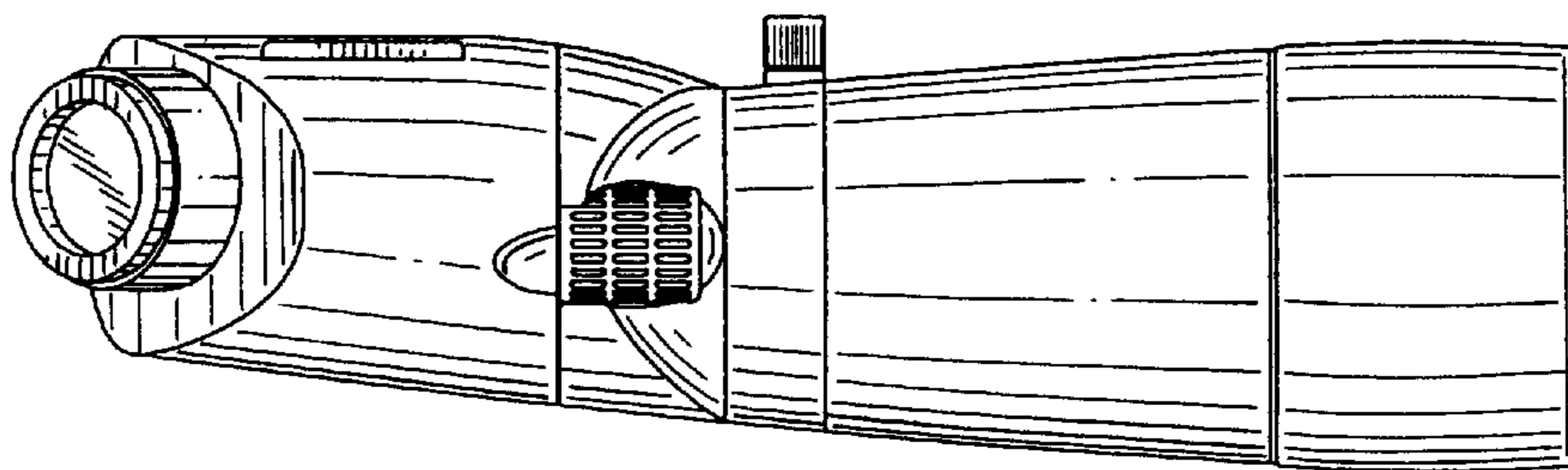


FIG. 2

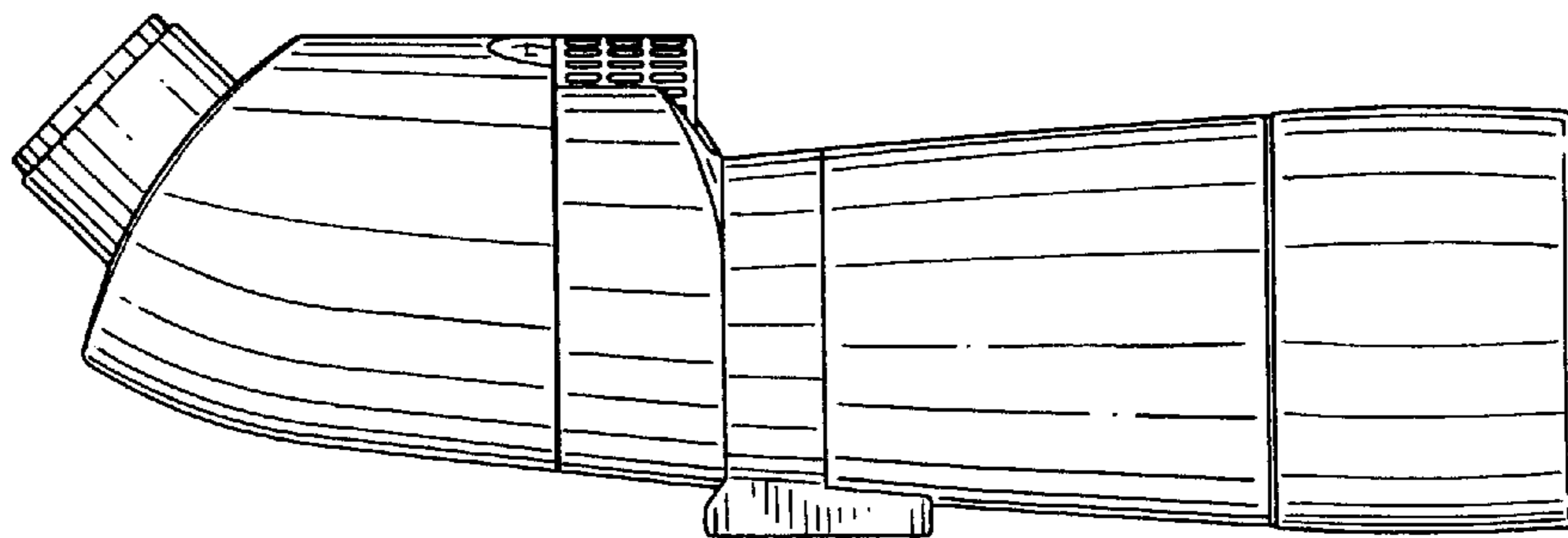


FIG. 3

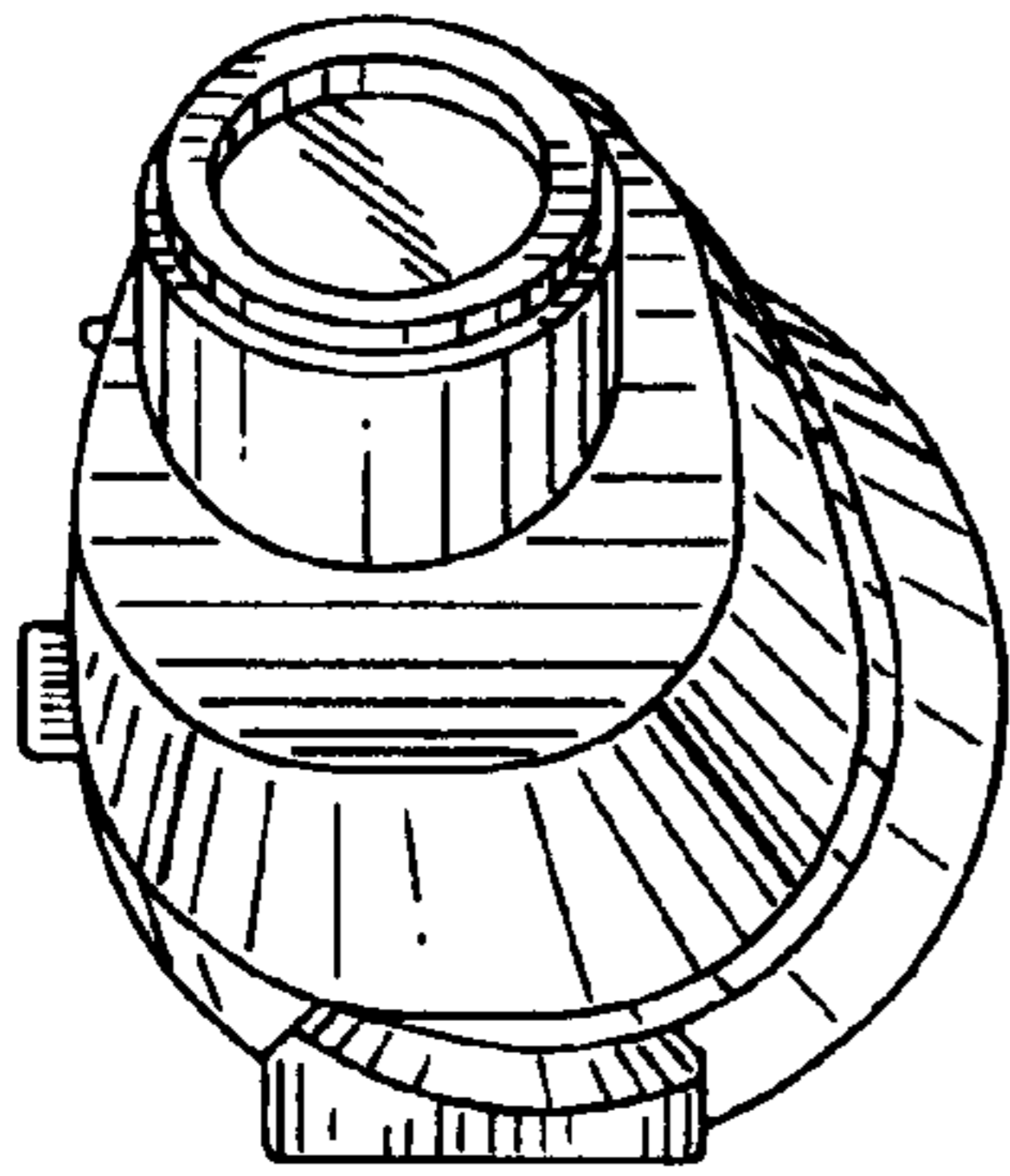


FIG. 4

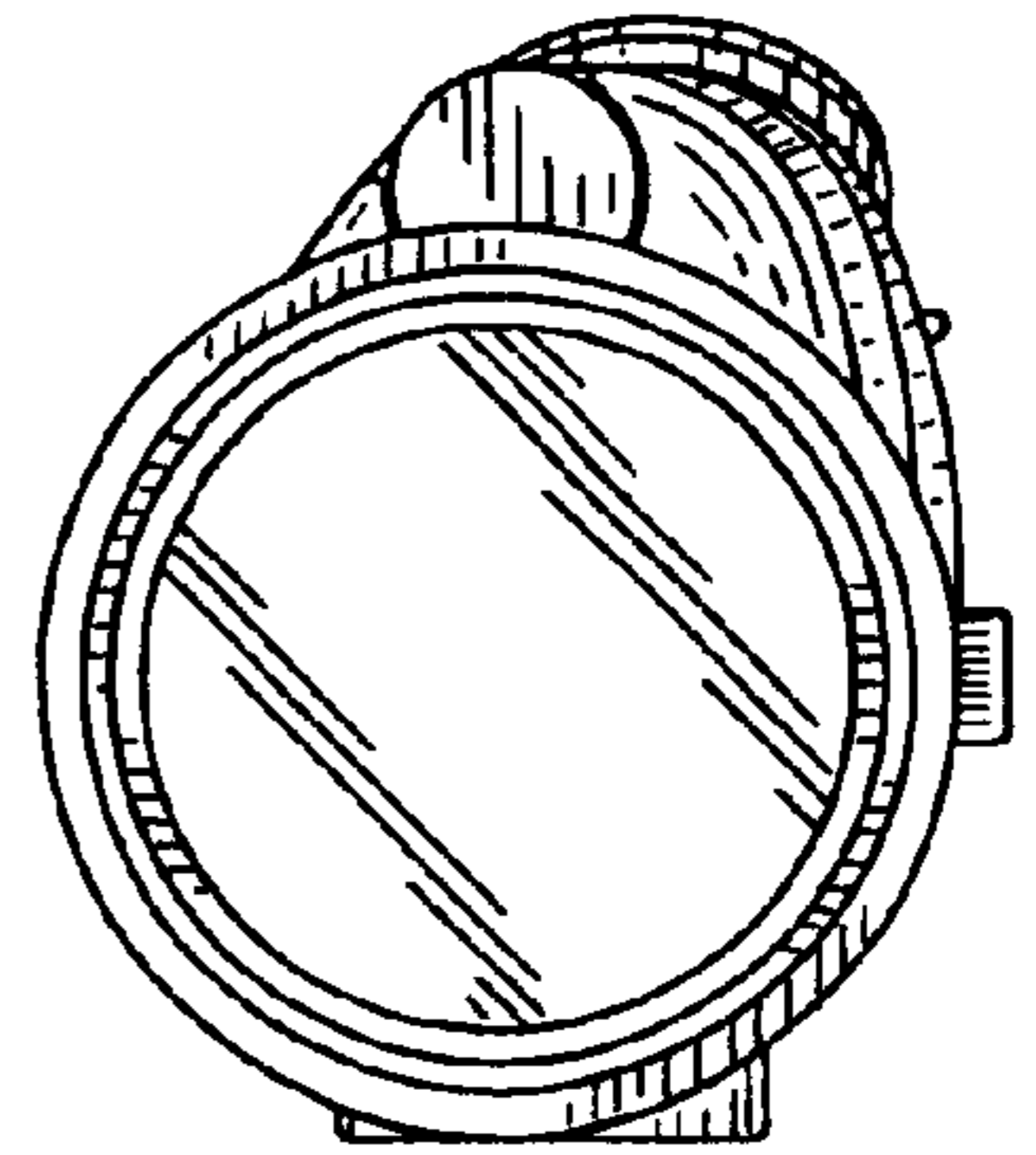


FIG. 5

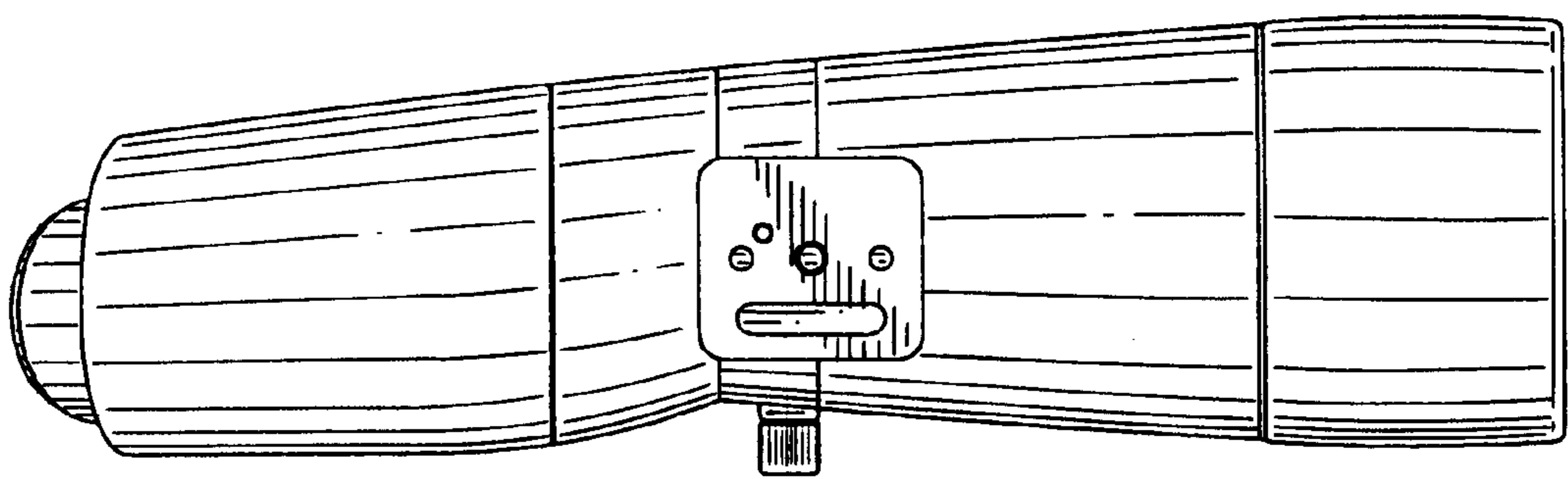


FIG. 6