



US00D454895S

(12) **United States Design Patent**
Sakata et al.

(10) **Patent No.:** **US D454,895 S**

(45) **Date of Patent:** **** Mar. 26, 2002**

(54) **LAMINATING MACHINE**

5,637,177 A * 6/1997 Os 156/286
6,102,096 A * 8/2000 Johansson et al. 156/286

(75) Inventors: **Osamu Sakata**, Yokohama; **Kazuaki Sakuta**, Kawasaki, both of (JP)

* cited by examiner

(73) Assignee: **Canon Kabushiki Kaisha**, Tokyo (JP)

Primary Examiner—Antoine Duval Davis

(**) Term: **14 Years**

(74) *Attorney, Agent, or Firm*—Fitzpatrick, Cella, Harper & Scinto

(21) Appl. No.: **29/142,612**

(57) **CLAIM**

(22) Filed: **May 31, 2001**

The ornamental design for a laminating machine, as shown and described.

(30) **Foreign Application Priority Data**

DESCRIPTION

Dec. 1, 2000 (JP) 2000-034401

(51) **LOC (7) Cl.** **15-09**

FIG. 1 is a front view of a laminating machine showing our new design;

(52) **U.S. Cl.** **D15/146**

FIG. 2 is a rear view thereof;

(58) **Field of Search** D15/145, 146;
156/215, 286, 299, 320, 382, 461, 464,
468, 479, 483, 484, 490, 555, 556, 587,
583.1, 498

FIG. 3 is a top plan view thereof;

FIG. 4 is a bottom plan view thereof;

FIG. 5 is a left side view thereof;

FIG. 6 is a right side view thereof; and,

FIG. 7 is a perspective view as viewed thereof.

(56) **References Cited**

U.S. PATENT DOCUMENTS

D366,883 S * 2/1996 Reinders D15/146

1 Claim, 6 Drawing Sheets

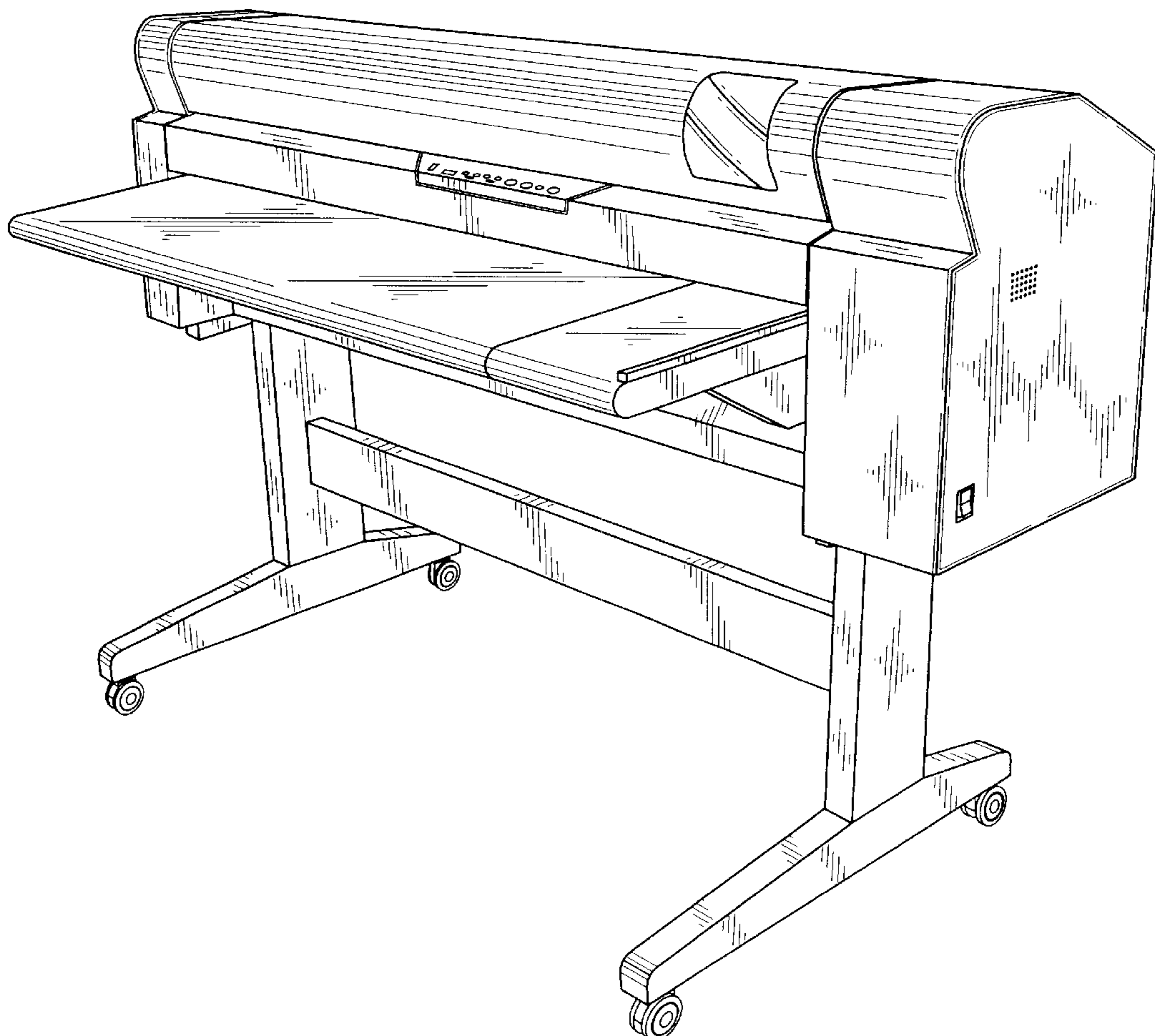


FIG. 1

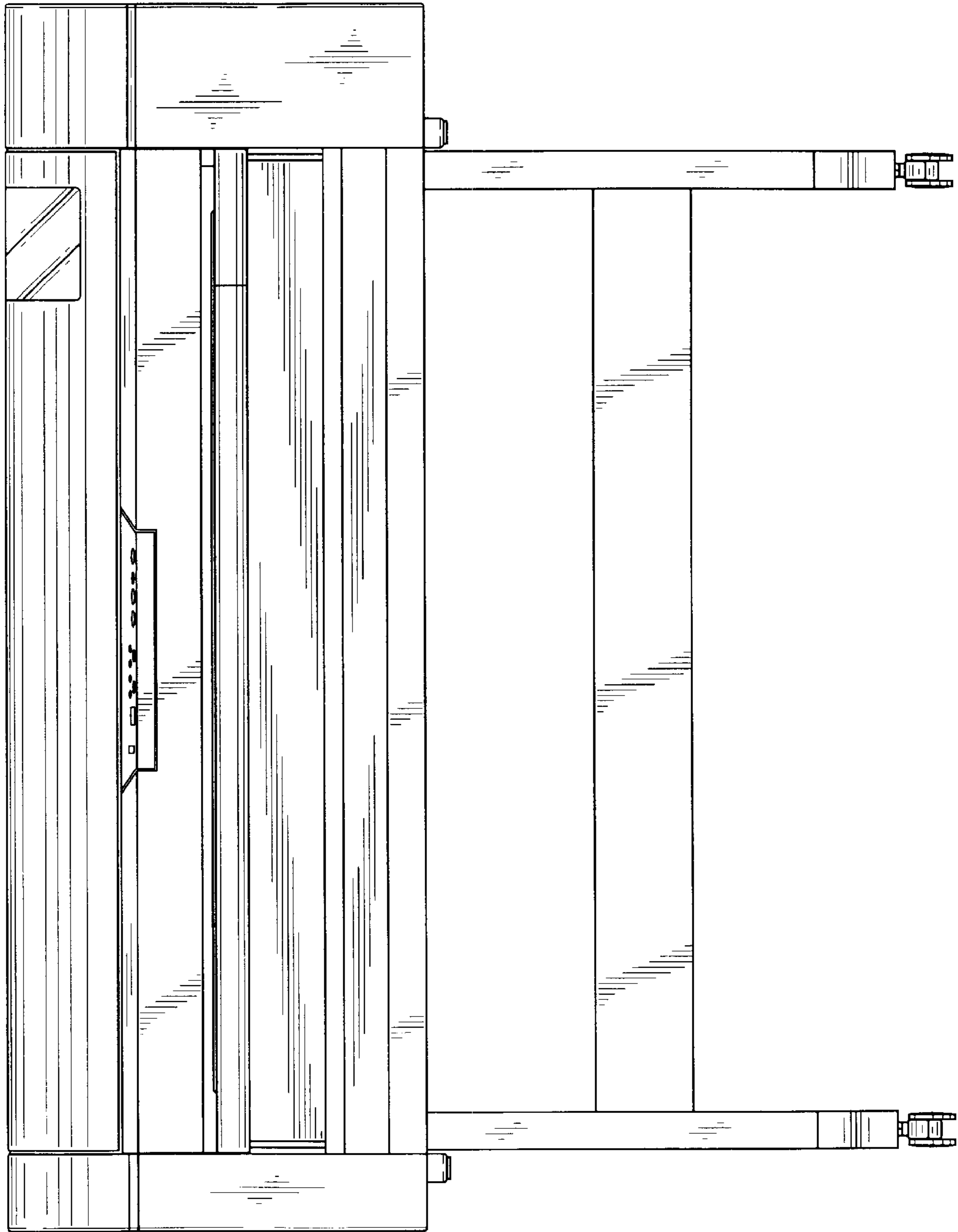


FIG. 2



FIG. 3

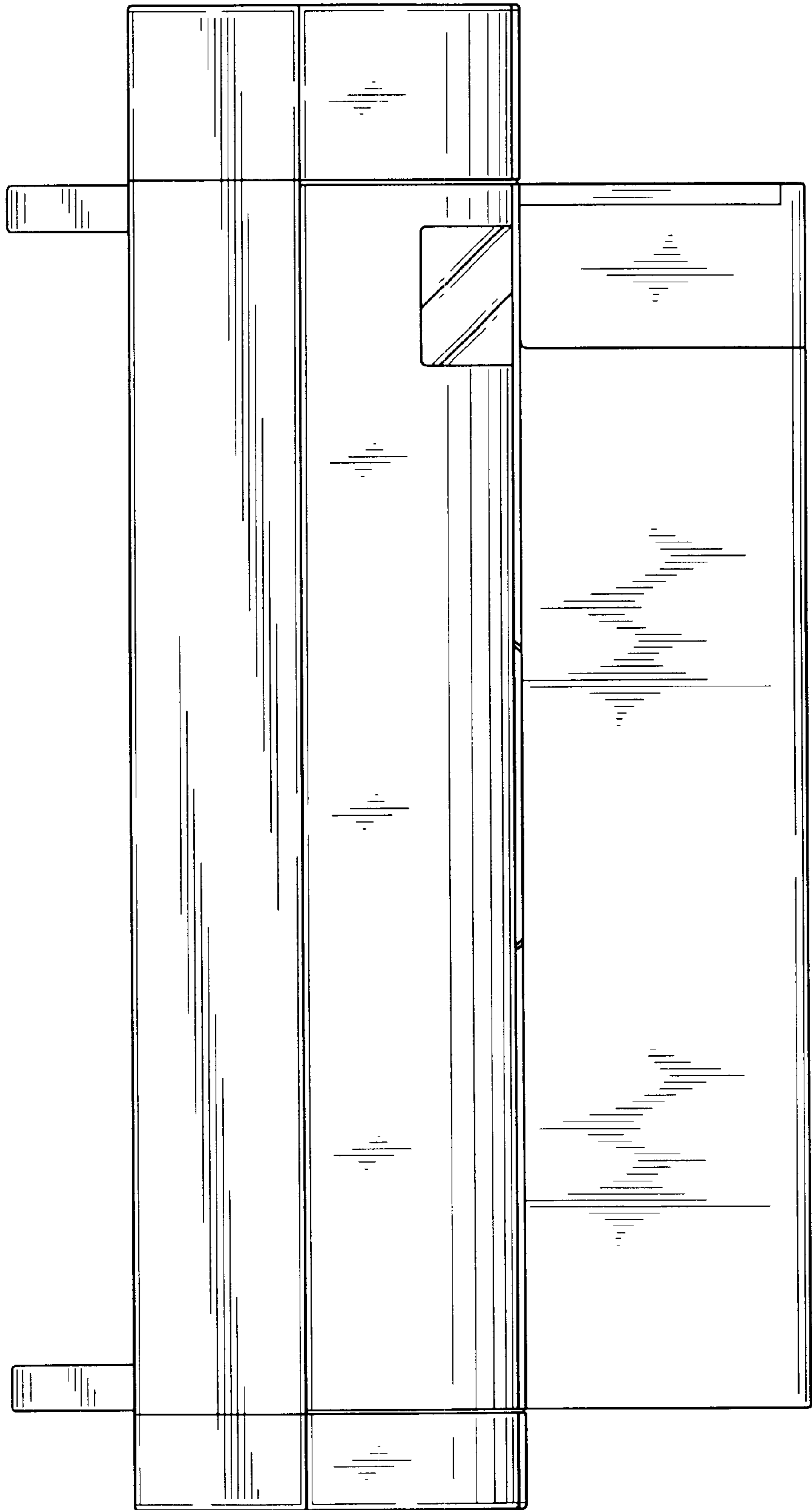


FIG. 4

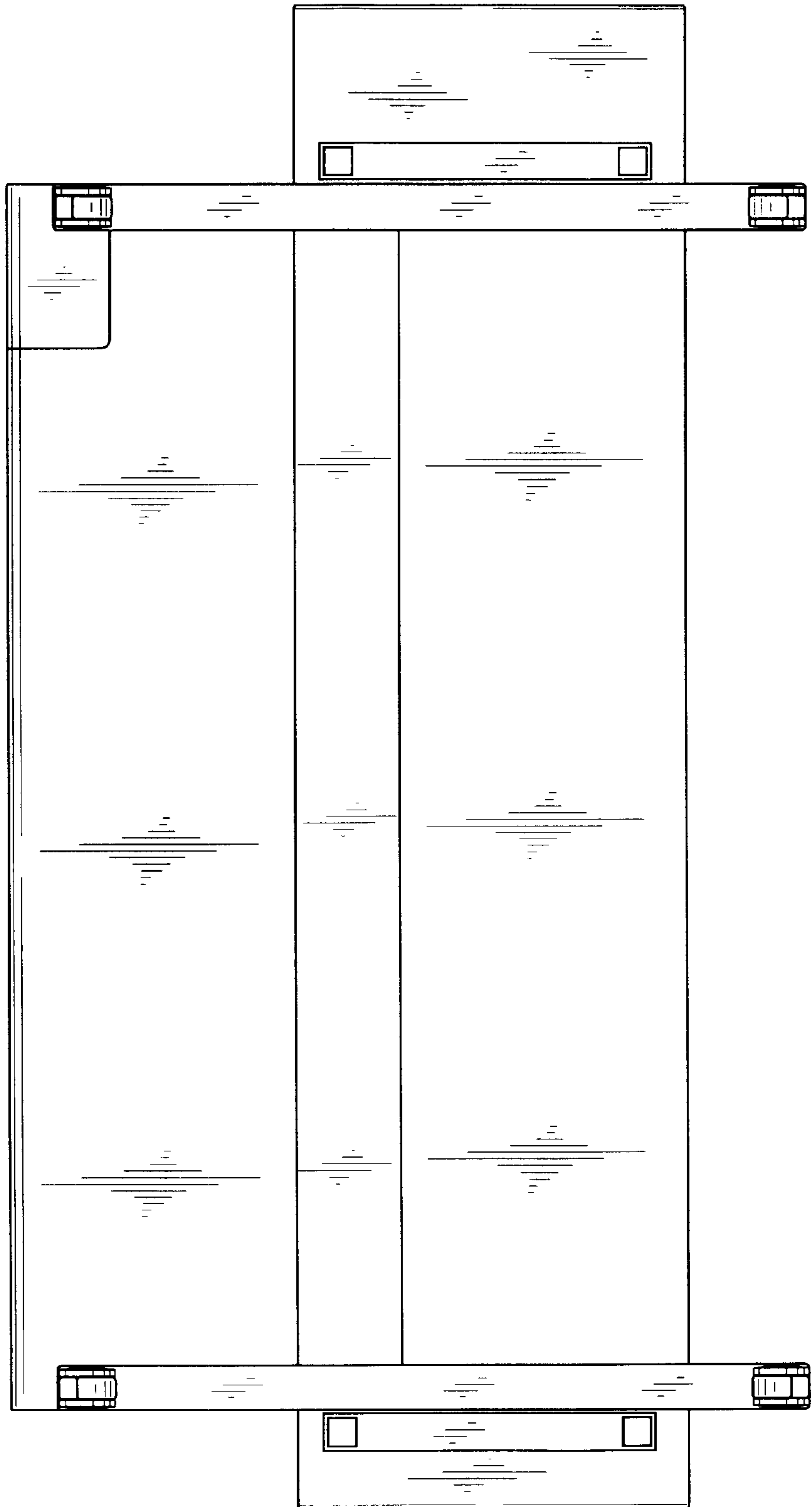


FIG. 6

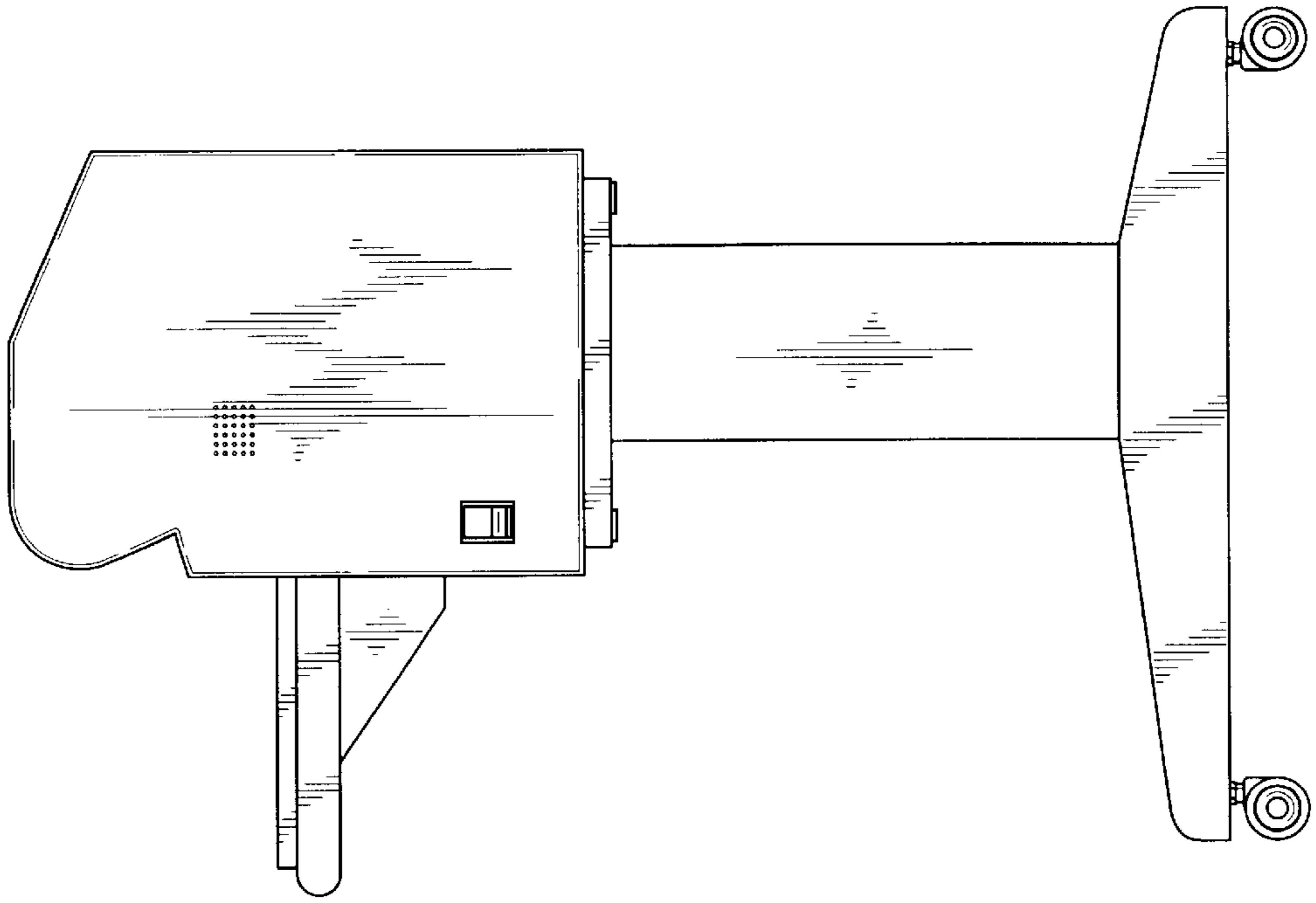


FIG. 5

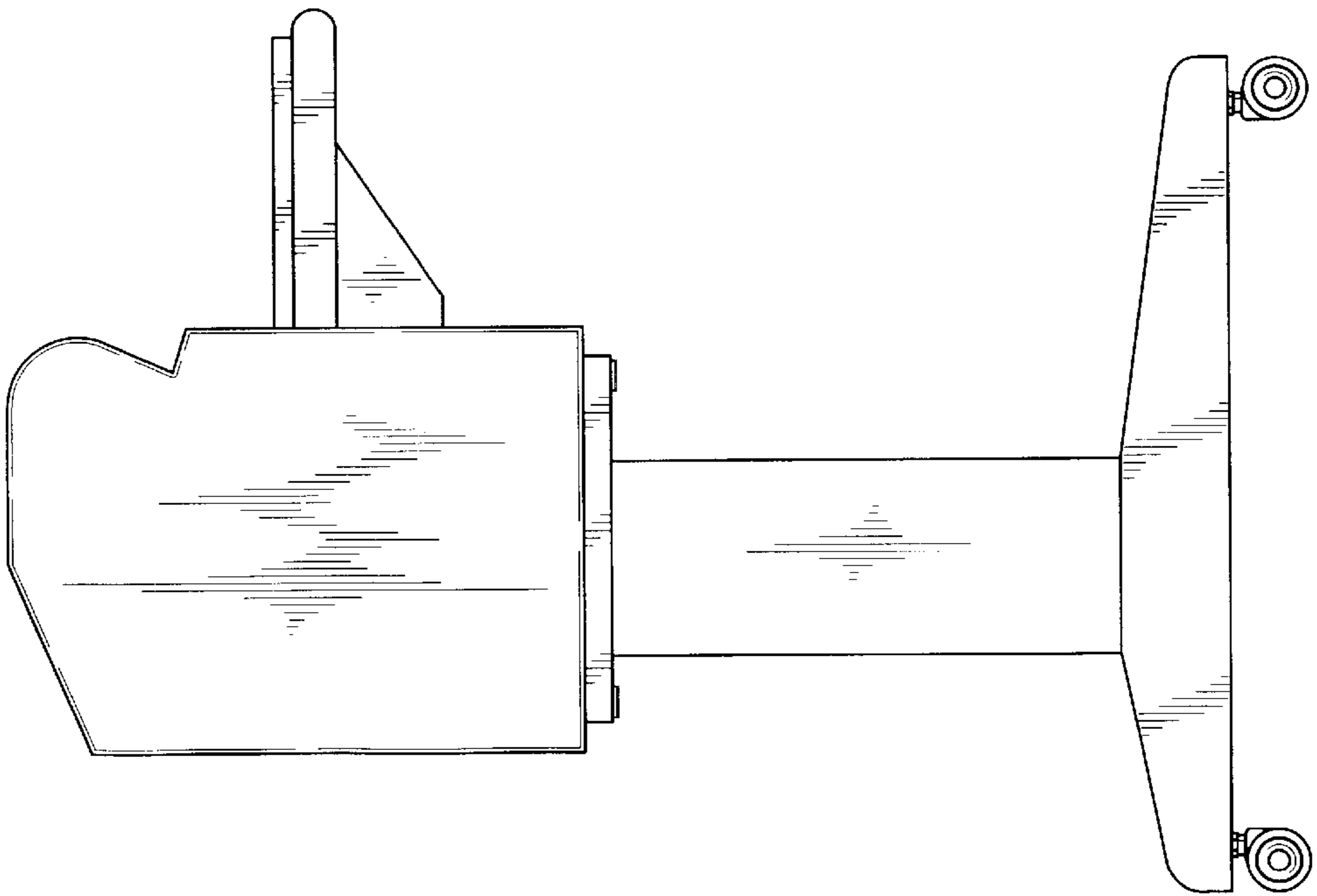


FIG. 7

