



US00D454892S

(12) **United States Design Patent**
Black et al.

(10) **Patent No.:** **US D454,892 S**

(45) **Date of Patent:** **** Mar. 26, 2002**

(54) **PORTABLE REFRIGERATOR FREEZER**

D285,692 S * 9/1986 Albiez D15/81
5,671,991 A * 9/1997 Grant 312/406

(76) Inventors: **Frank J. Black; John C. Roemer**, both
of 5343 Banks St., San Diego, CA (US)
92110

* cited by examiner

Primary Examiner—Mitchell Siegel

(**) Term: **14 Years**

(57) **CLAIM**

(21) Appl. No.: **29/128,105**

The ornamental design for a portable refrigerator freezer, as shown.

(22) Filed: **Aug. 16, 2000**

DESCRIPTION

(51) **LOC (7) Cl.** **15-07**

(52) **U.S. Cl.** **D15/83**

(58) **Field of Search** D15/79, 81, 83;
312/406, 400, 401, 467, 278, 236; 62/297,
228.1, 236, 331, 457.7

FIG. 1 is a perspective view of a portable refrigerator freezer showing our new design;

FIG. 2 is a front view thereof;

FIG. 3 is a back view thereof;

FIG. 4 is a bottom view thereof;

FIG. 5 is a top view of thereof;

FIG. 6 is a left side view thereof; and,

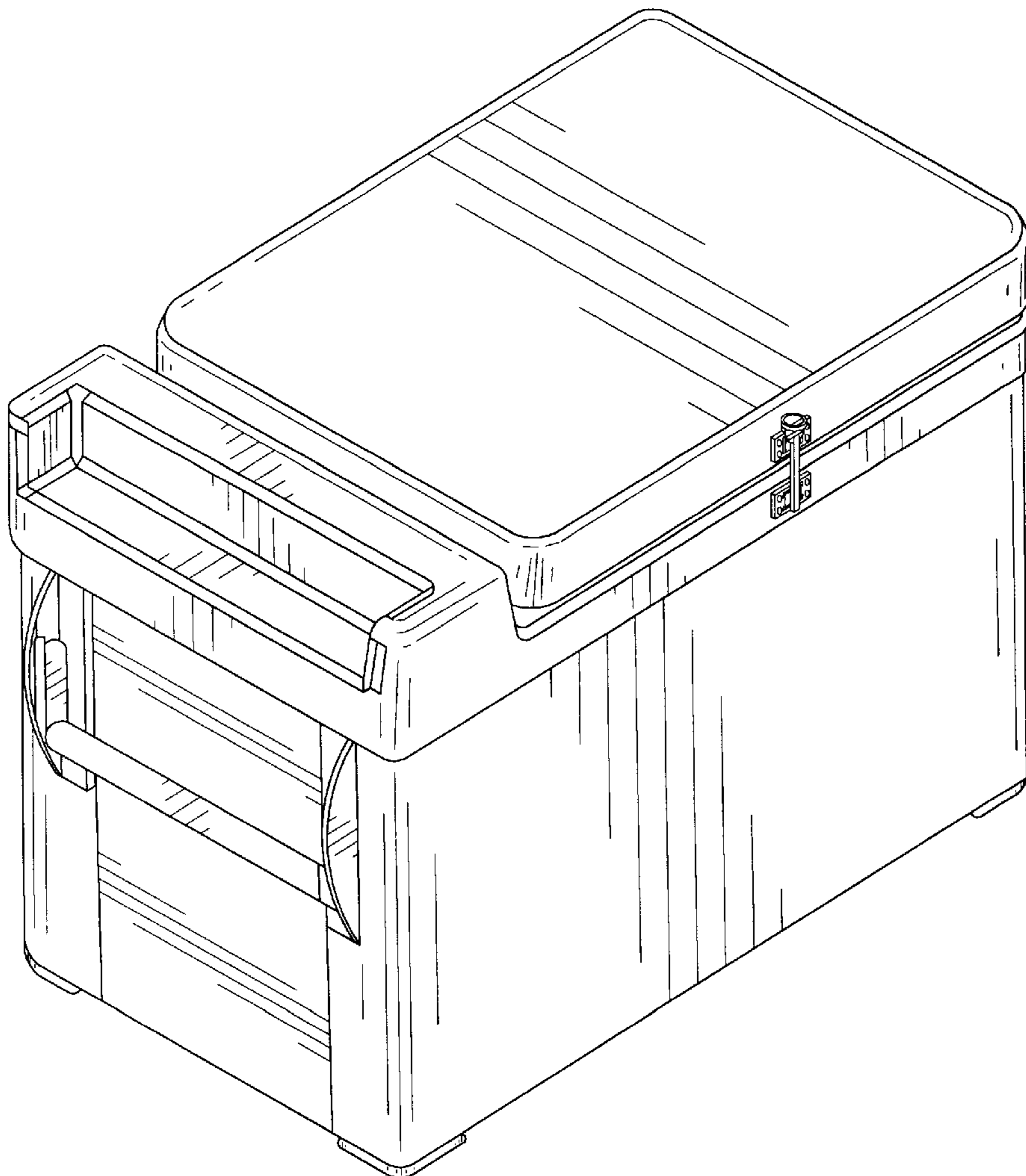
FIG. 7 is a right side view thereof.

(56) **References Cited**

U.S. PATENT DOCUMENTS

D136,305 S * 9/1943 Teeter D15/83
2,522,623 A * 9/1950 Likes et al. 62/297
D256,587 S * 8/1980 Tatsumi D15/83

1 Claim, 4 Drawing Sheets



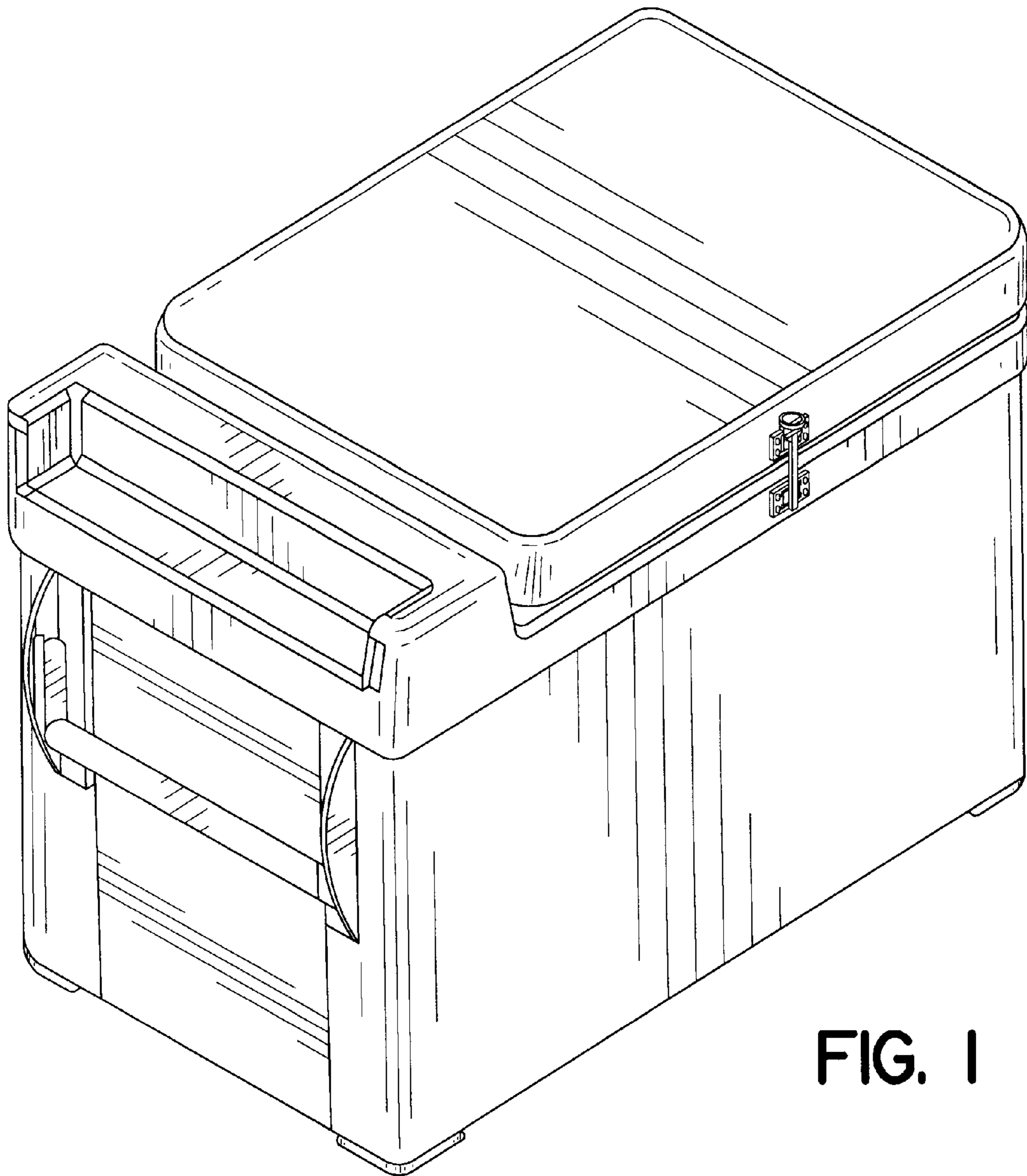


FIG. 1

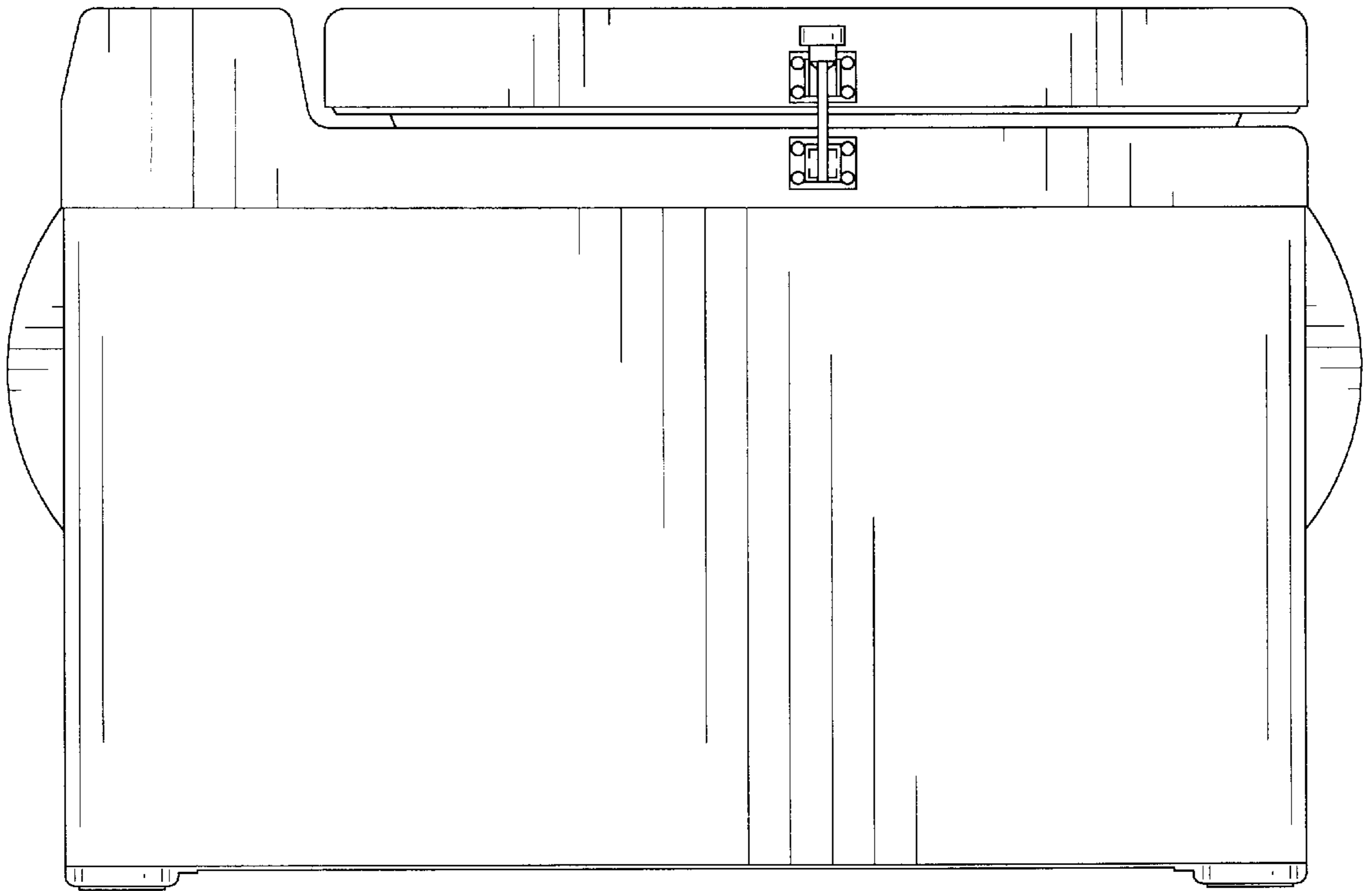


FIG. 2

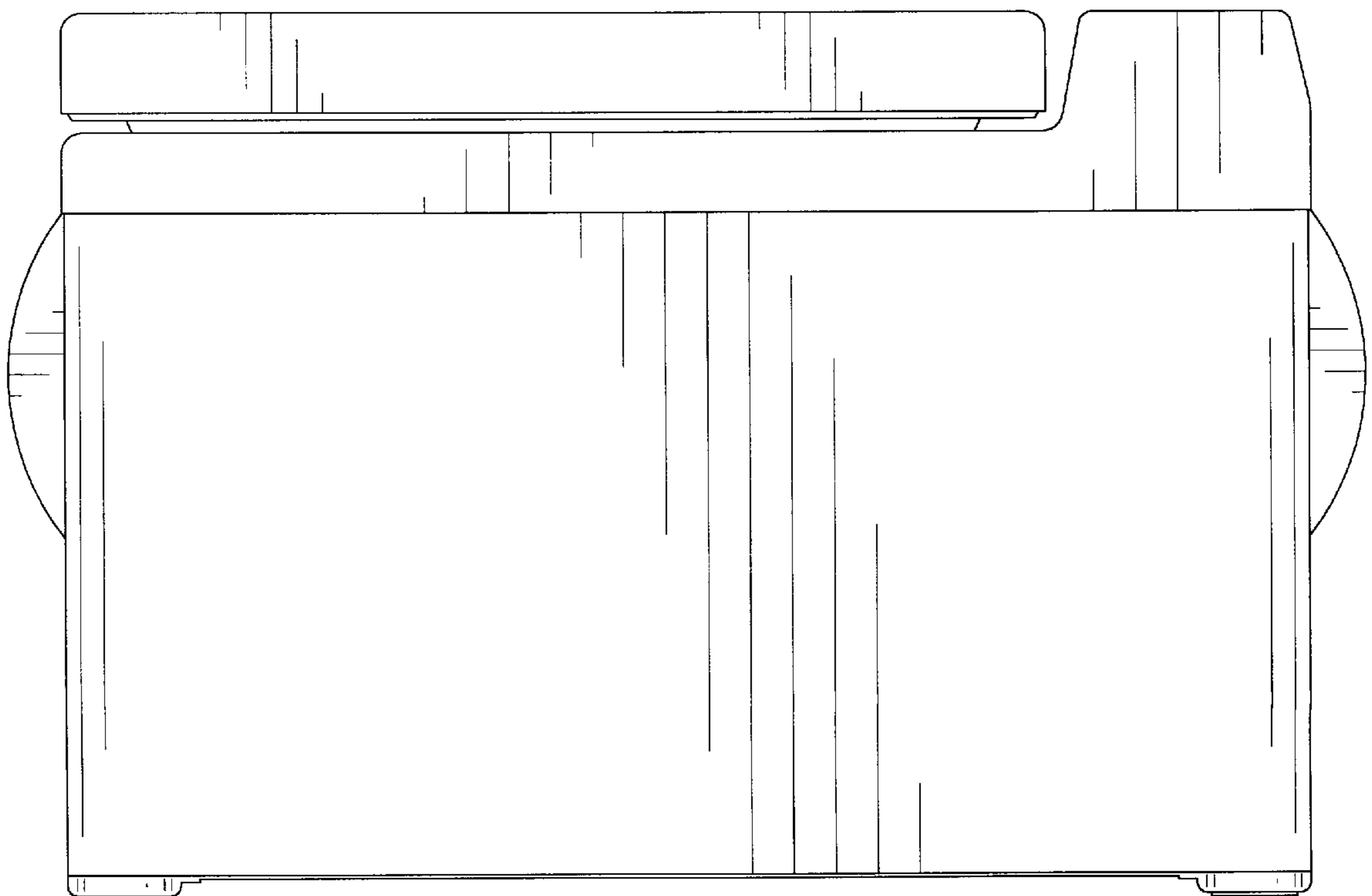


FIG. 3

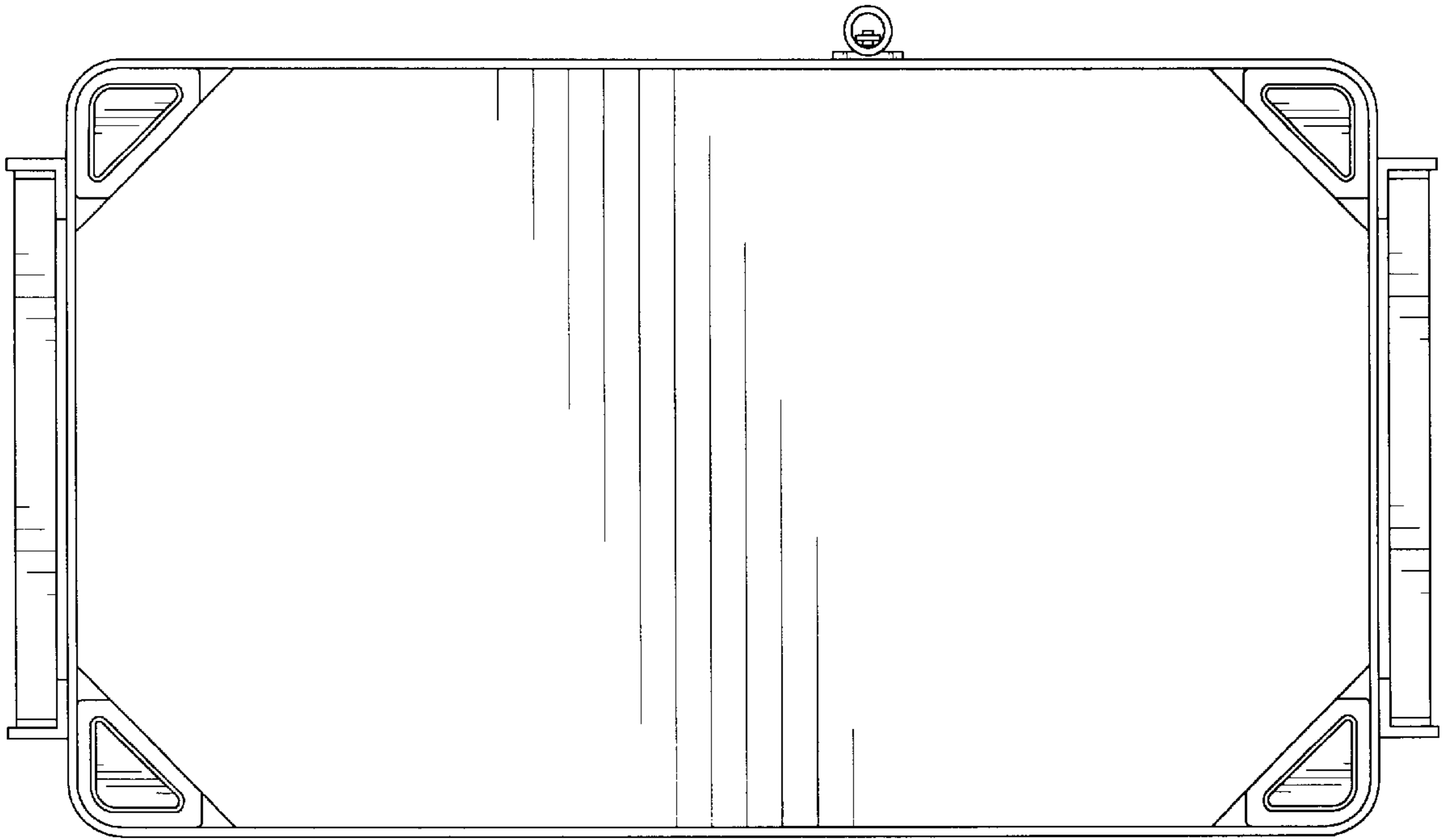


FIG. 4

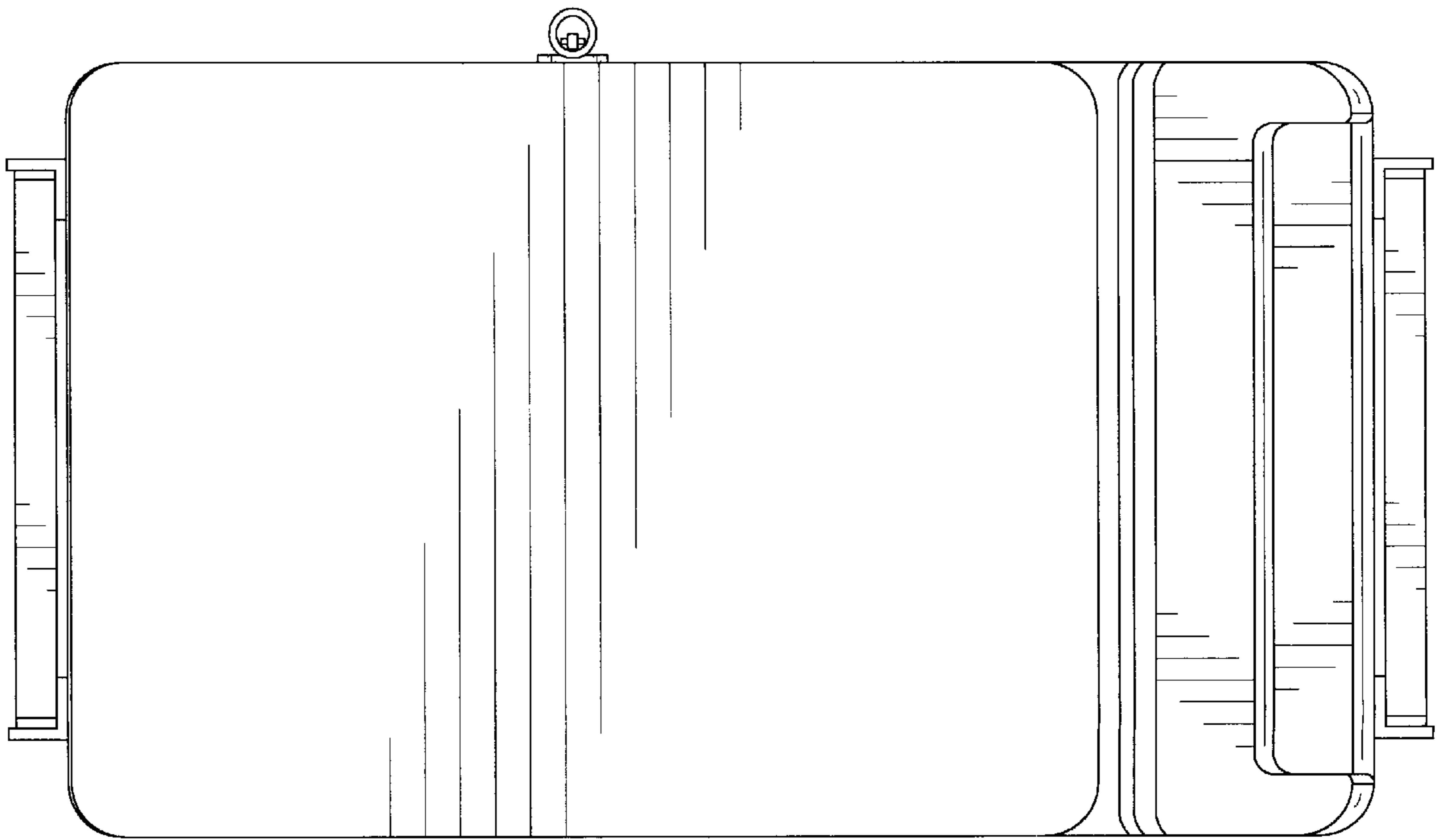


FIG. 5

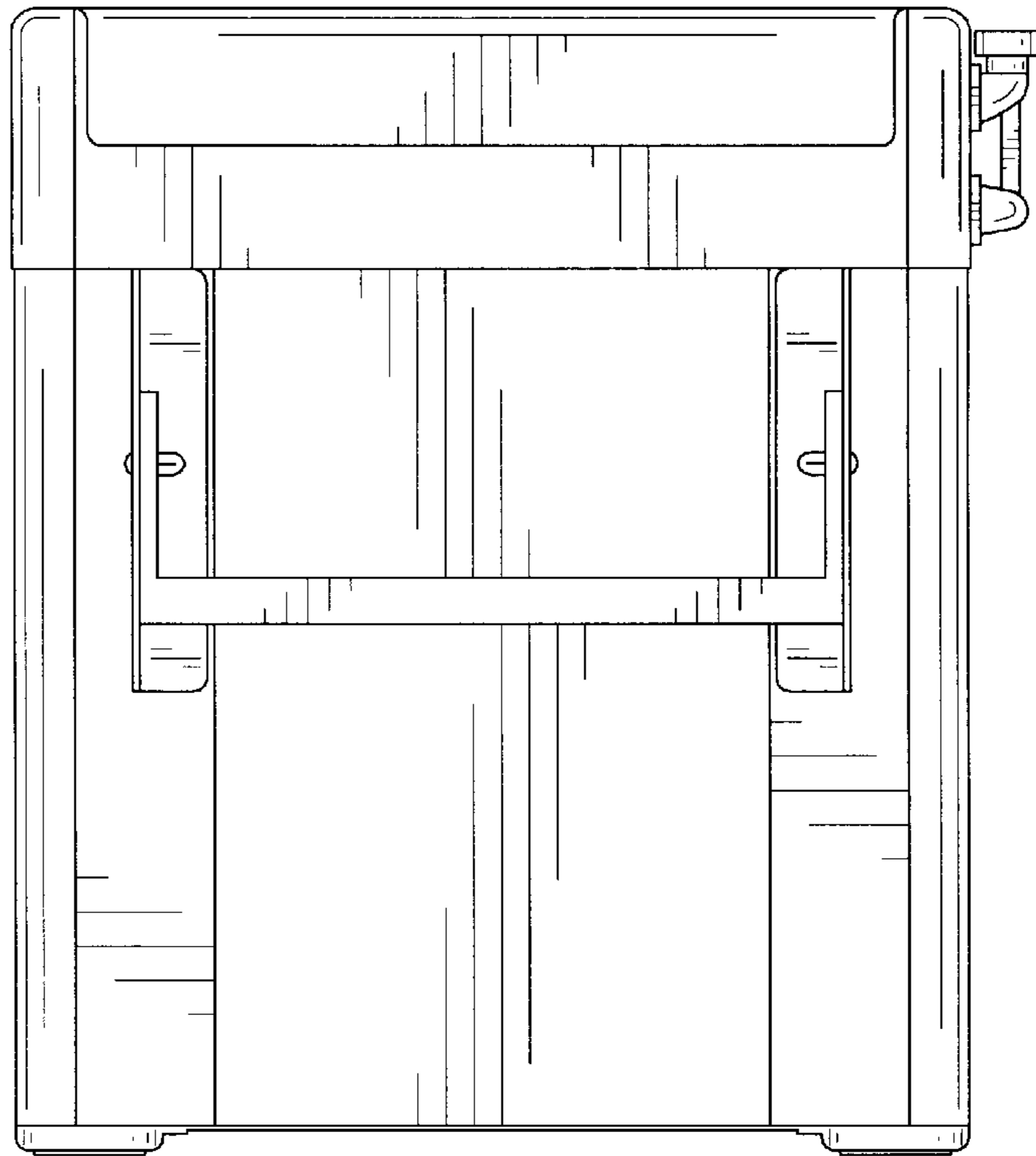


FIG. 6

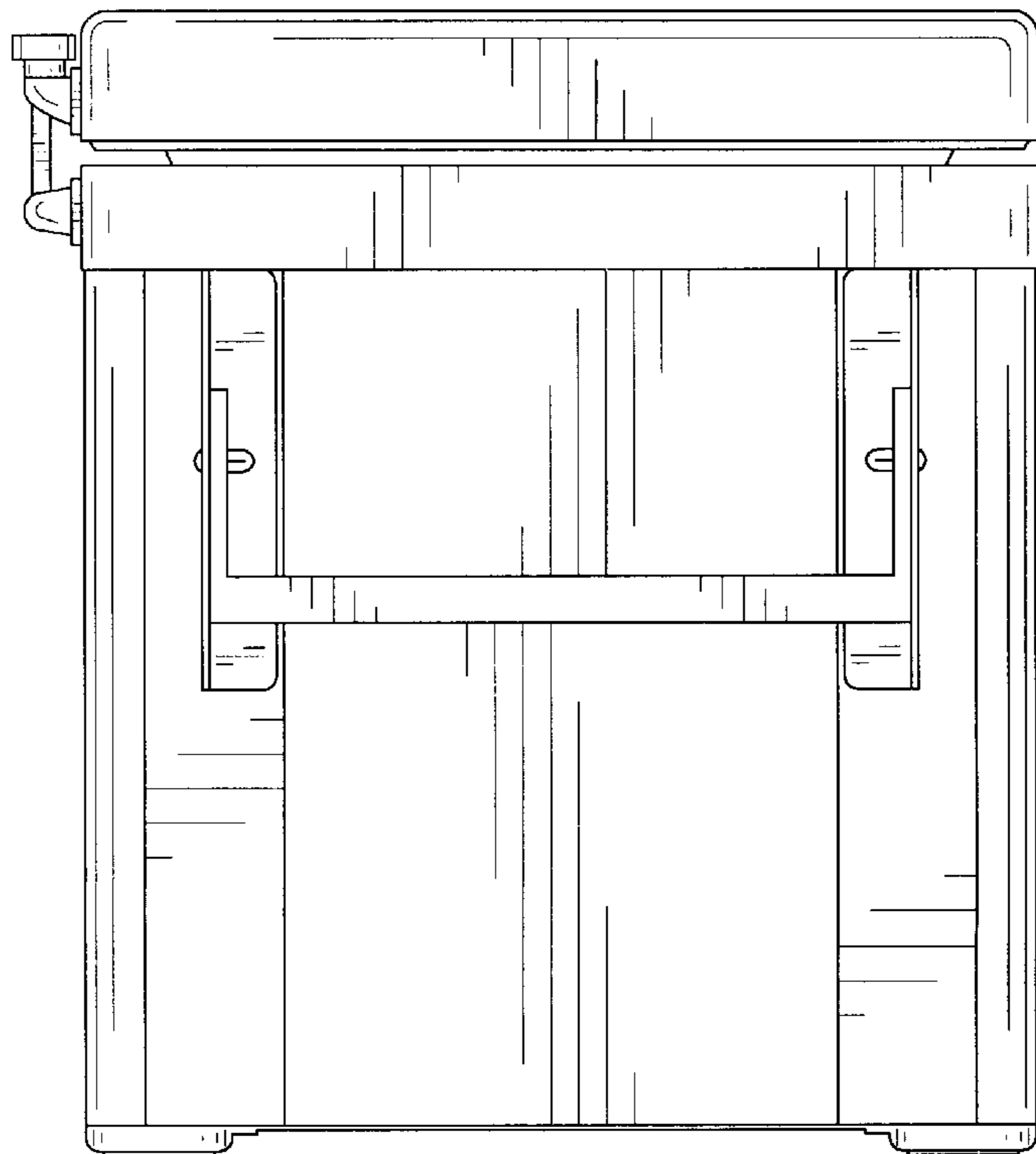


FIG. 7