



US00D454891S

(12) **United States Design Patent**
Ketting et al.

(10) **Patent No.:** **US D454,891 S**
(45) **Date of Patent:** **** Mar. 26, 2002**

(54) **TOOTH CAP FOR CONSTRUCTION MACHINERY**

(75) Inventors: **Michael Ketting**, Ennepetal; **Wilfried Batke**, Bochum; **Helmut Halama**, Oberhausen, all of (DE); **Marco Ricci**, Novellara Re (IT); **Jürgen Siebeck**, Bochum; **Frank Tintrup**, Herne, both of (DE)

(73) Assignee: **Intertractor GmbH**, Gevelsberg (DE)

(**) Term: **14 Years**

(21) Appl. No.: **29/129,271**

(22) Filed: **Sep. 11, 2000**

(30) **Foreign Application Priority Data**

Mar. 11, 2000 (DE) 4 00 02 505
Apr. 12, 2000 (DE) 4 00 03 660
May 4, 2000 (DE) 4 00 04 302

(51) **LOC (7) Cl.** **15-03**

(52) **U.S. Cl.** **D15/29**

(58) **Field of Search** D15/28, 29, 32,
D15/23, 25; 37/452-458

(56) **References Cited**

U.S. PATENT DOCUMENTS

3,444,633 A * 5/1969 Hensley 37/452
3,959,901 A * 6/1976 Klett 37/452
D296,442 S * 6/1988 Broomhall D15/29
4,965,945 A * 10/1990 Emrich 37/456
D328,466 S * 8/1992 Robinson D15/29
D329,243 S * 9/1992 Robinson D15/29

D365,109 S * 12/1995 Robinson et al. D15/28
D414,193 S * 9/1999 Launder et al. D15/29
D417,877 S * 12/1999 Launder et al. D15/29
D420,014 S * 1/2000 Karlsson D15/29

* cited by examiner

Primary Examiner—Mitchell Siegel

(74) *Attorney, Agent, or Firm*—Herbert Dubno

(57) **CLAIM**

The ornamental design for a tooth cap for construction machinery, as shown and described.

DESCRIPTION

FIG. 1 is a top, front, right-side perspective view of a tooth cap for construction machinery showing my new design, the rear not being visible in use and being unornamented;

FIG. 2 is a bottom, front, right-side perspective view thereof, the left side being mirror symmetrical to the right side shown;

FIG. 3 is a bottom view thereof;

FIG. 4 is a right side elevational view thereof;

FIG. 5 is a top, front, right-side perspective view of a second embodiment of a tooth cap for construction machinery showing my new design, the rear not being visible in use and being unornamented;

FIG. 6 is another perspective view thereof, the left side being mirror symmetrical to the right side shown;

FIG. 7 is yet another perspective view thereof;

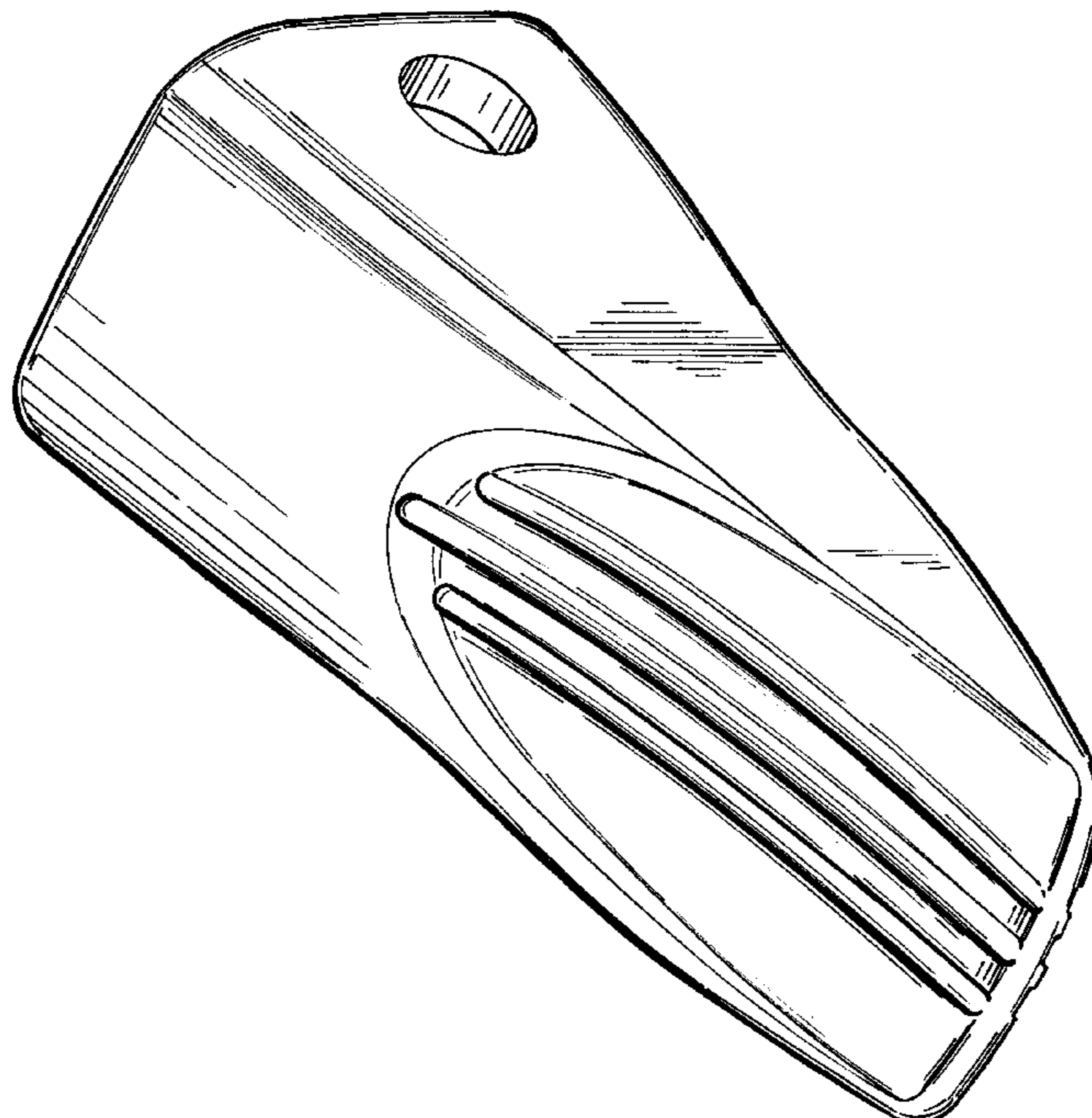
FIG. 8 is a bottom, front, right-side perspective view thereof;

FIG. 9 is a top plan view thereof;

FIG. 10 is a bottom plan view thereof; and,

FIG. 11 is a left side elevational view thereof.

1 Claim, 11 Drawing Sheets



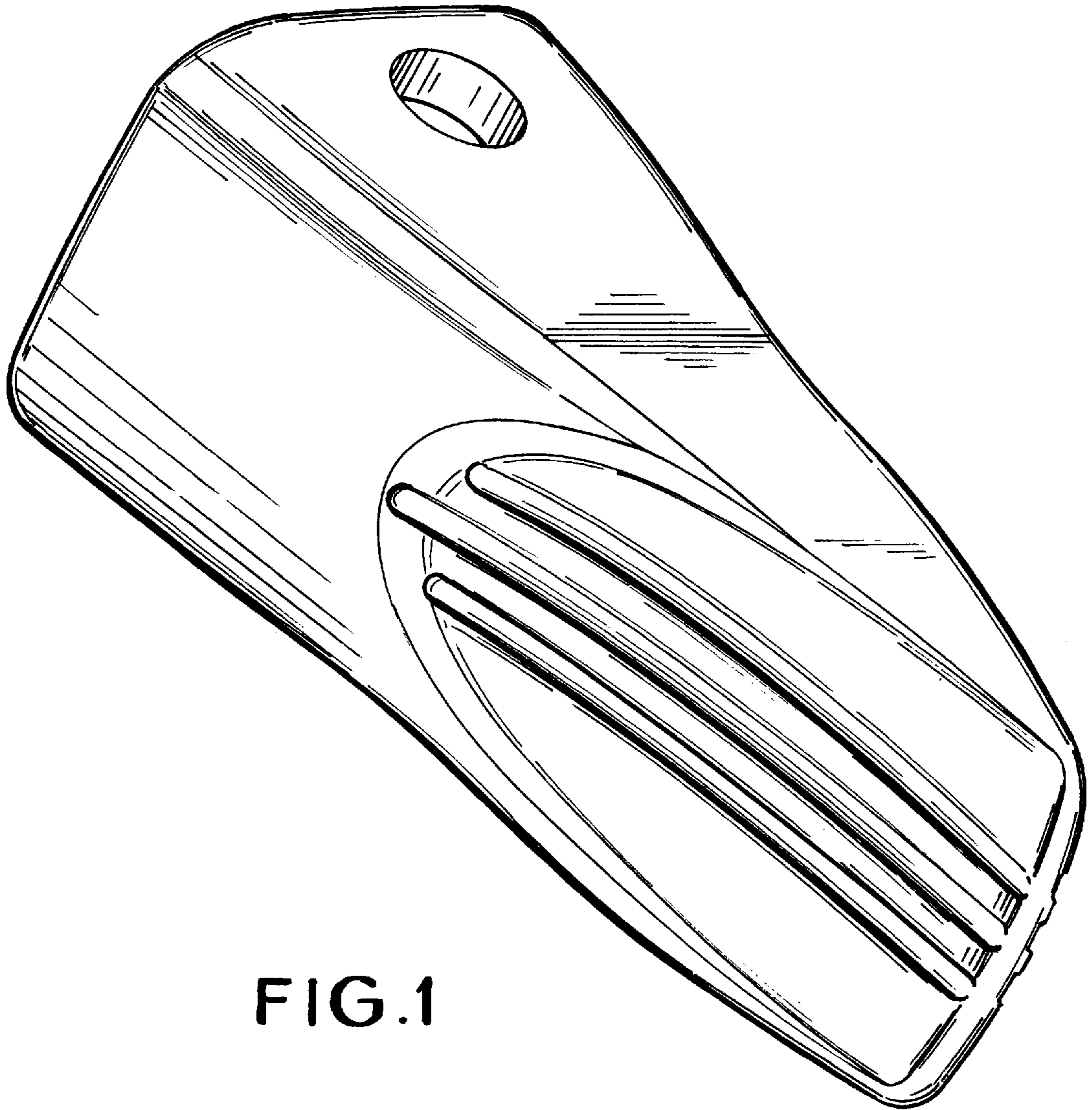


FIG. 1

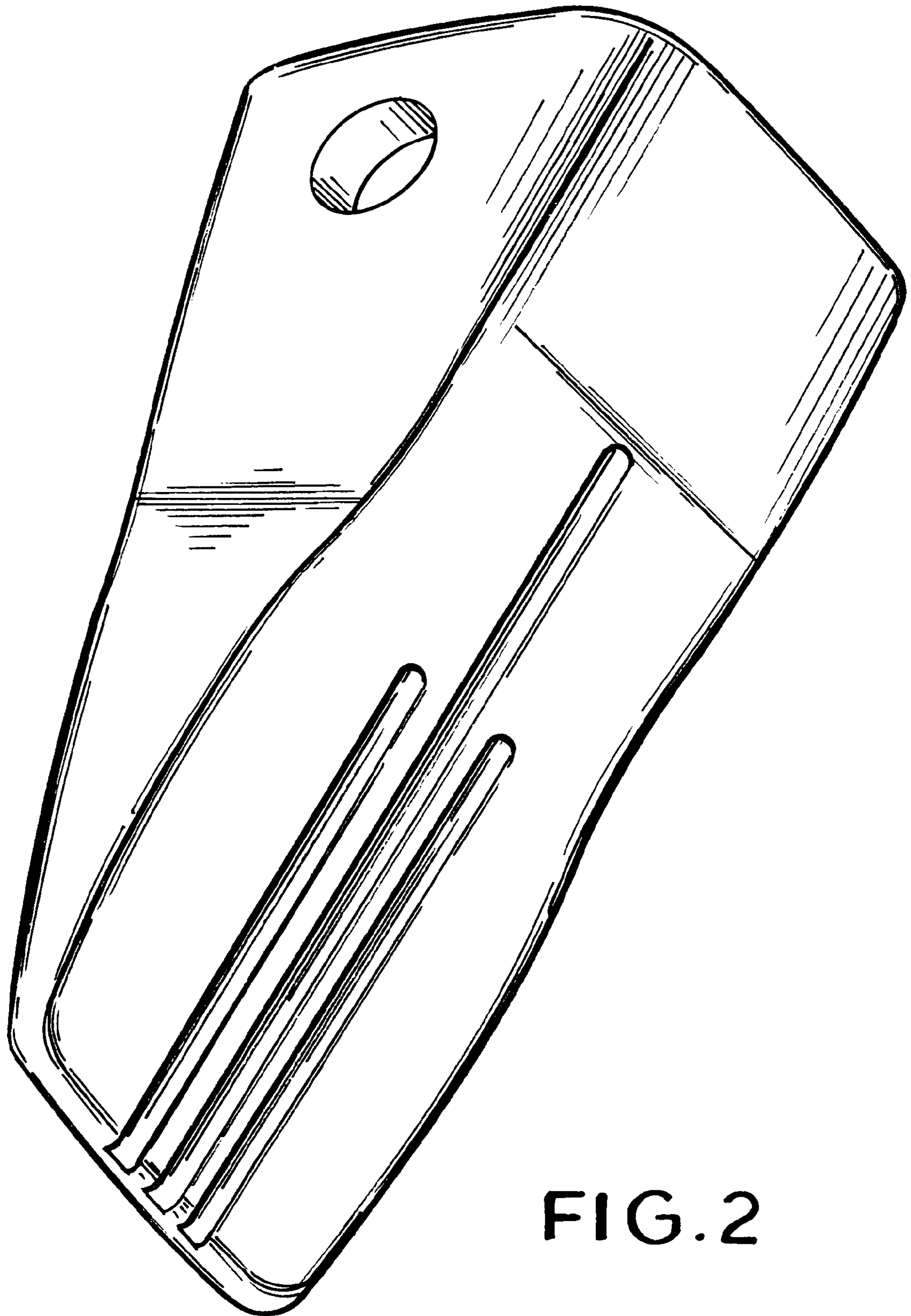


FIG. 2

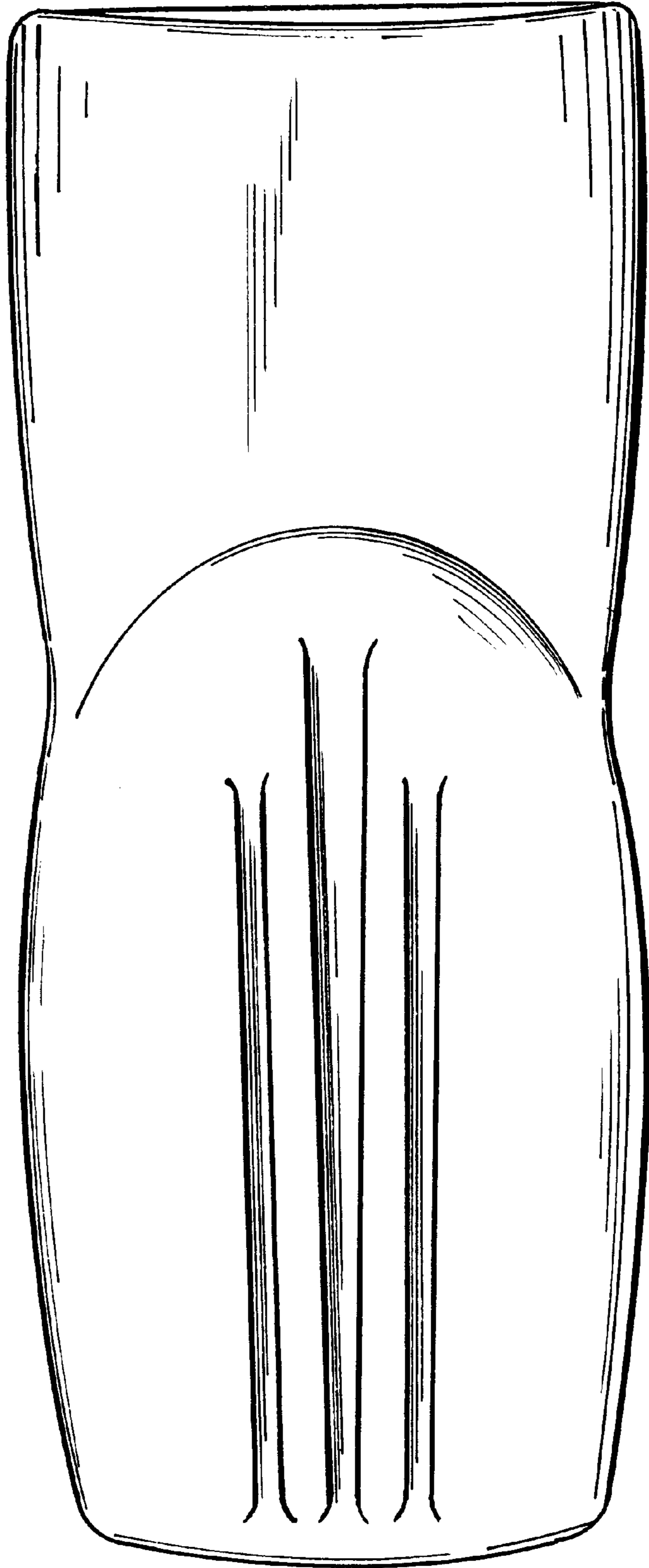


FIG. 3

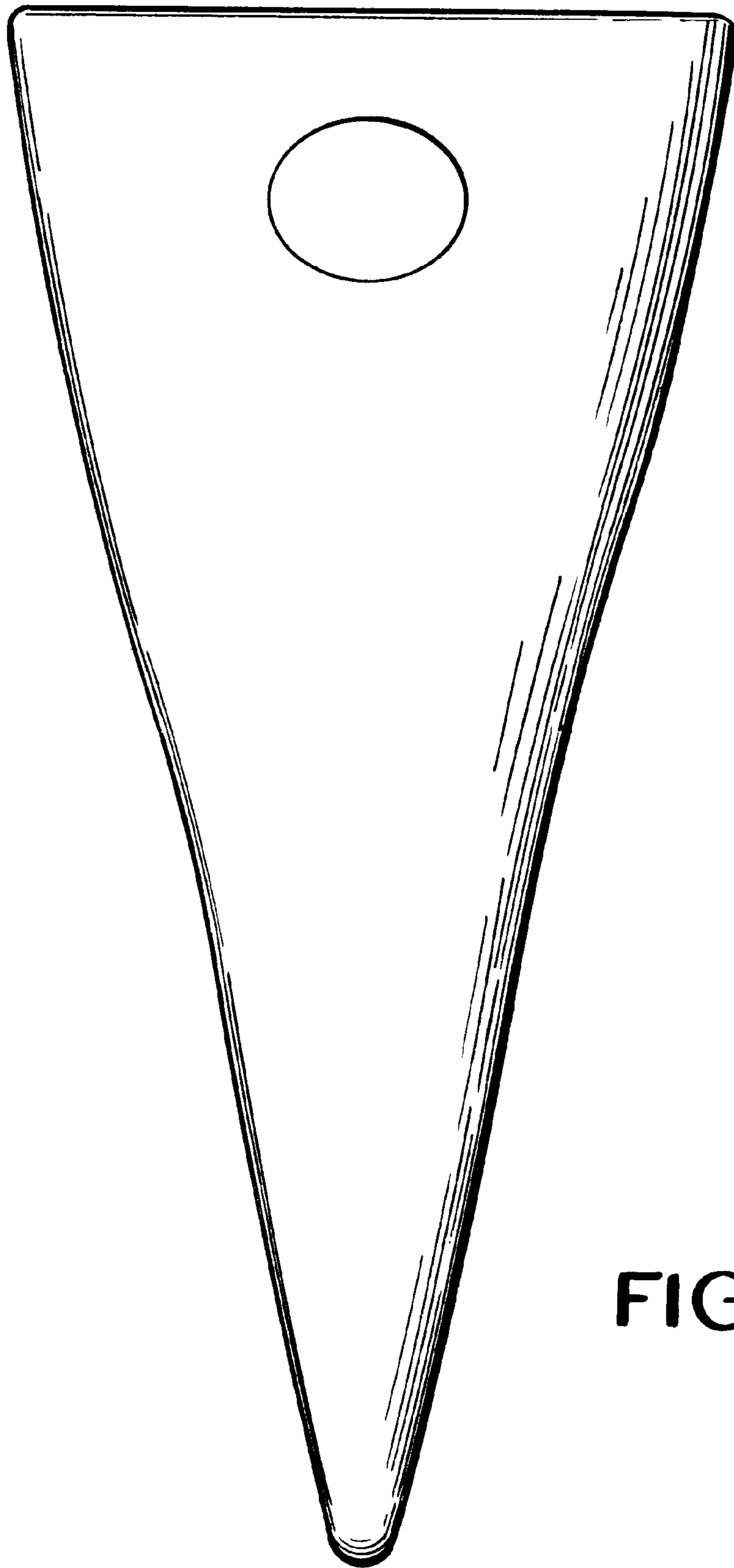


FIG.4

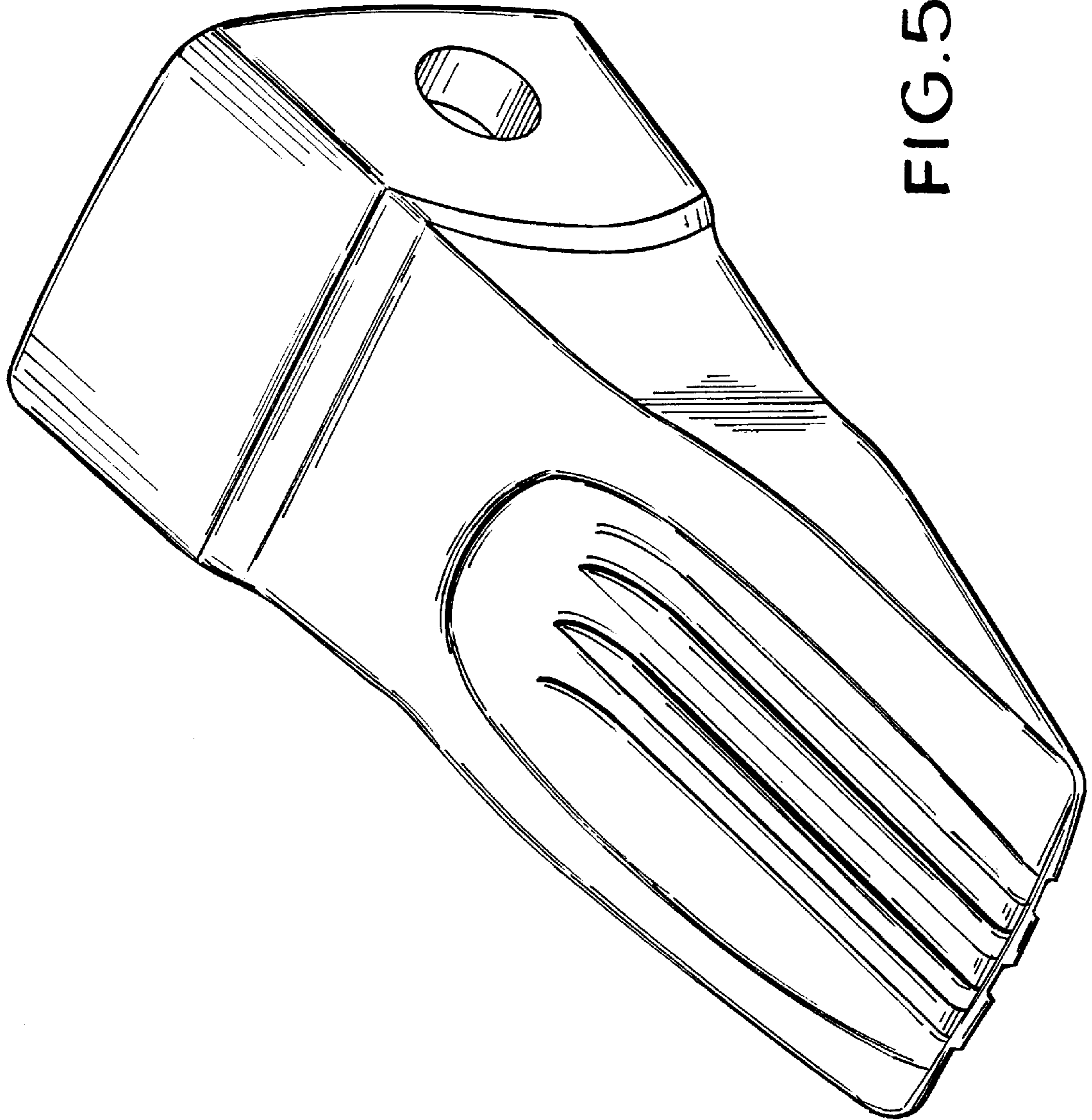


FIG. 5

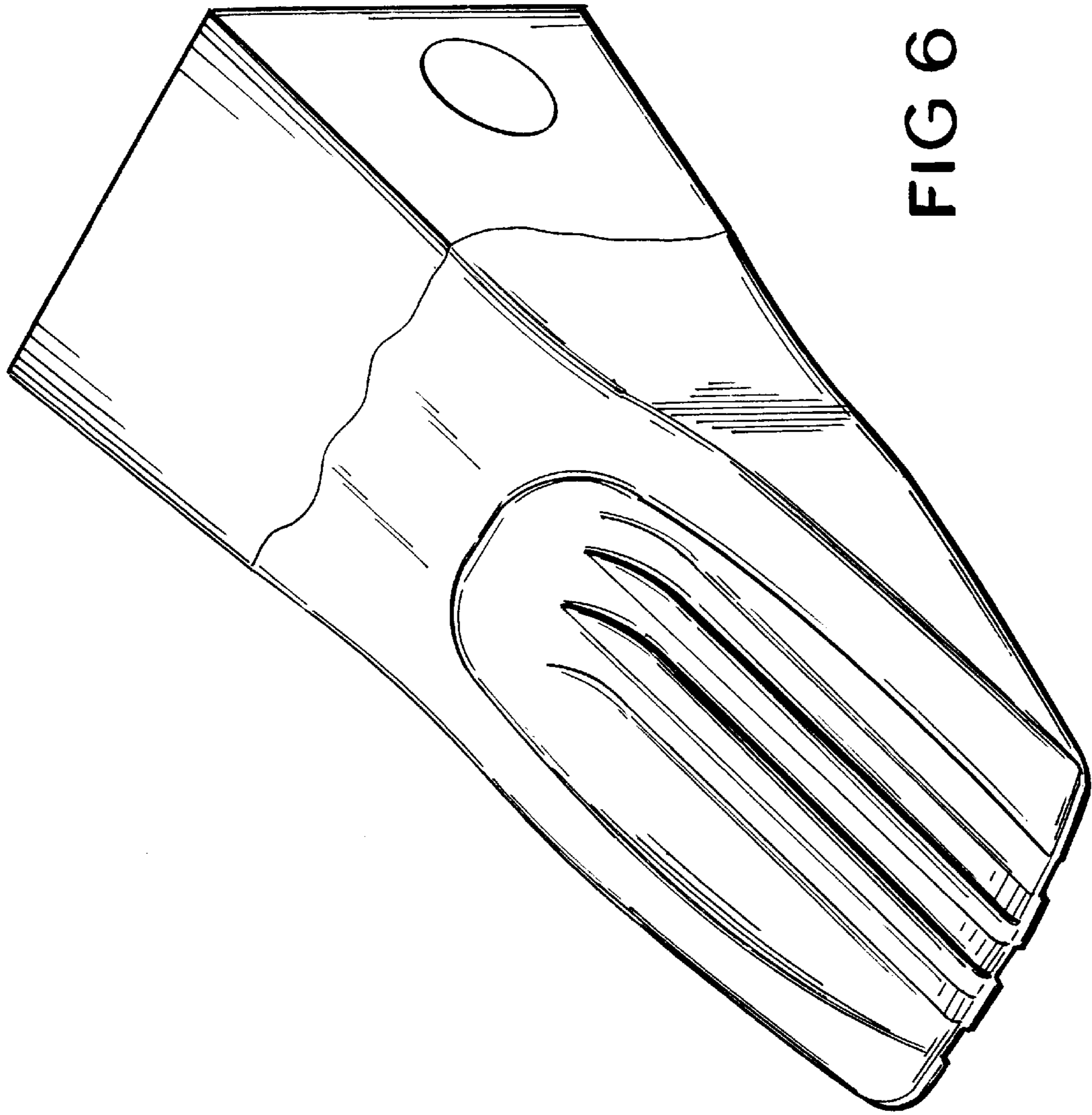


FIG 6

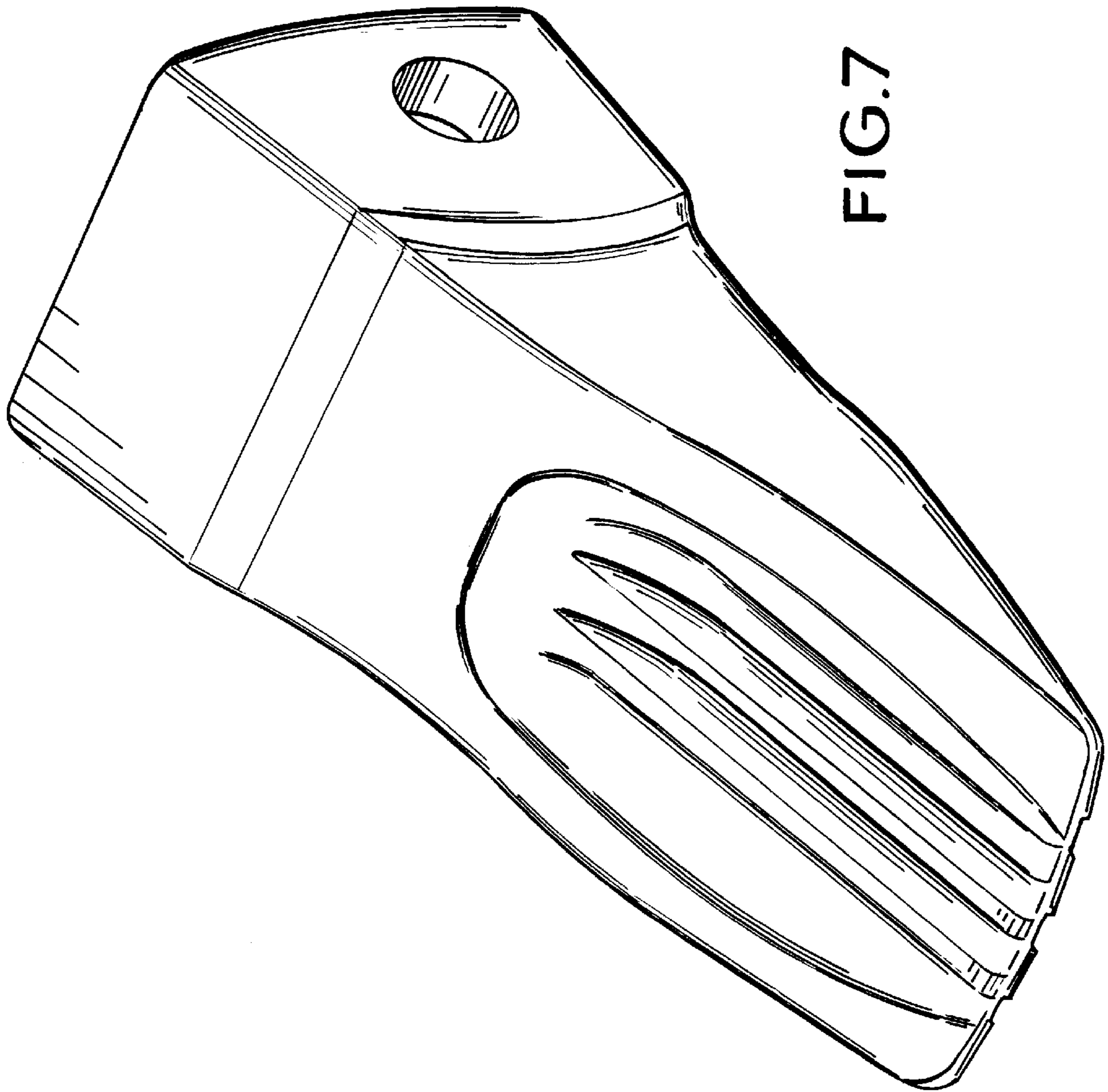


FIG. 7

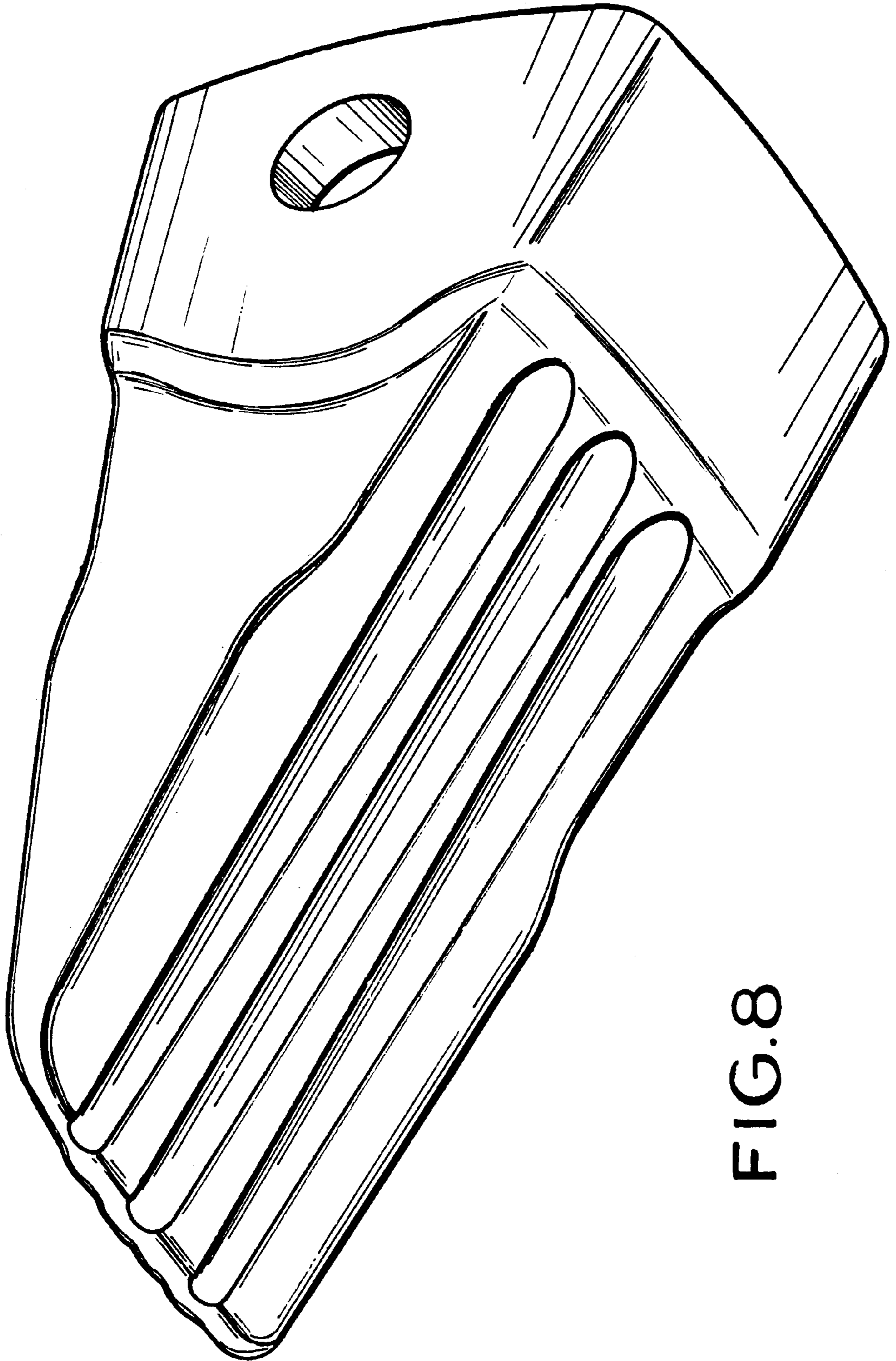


FIG.8

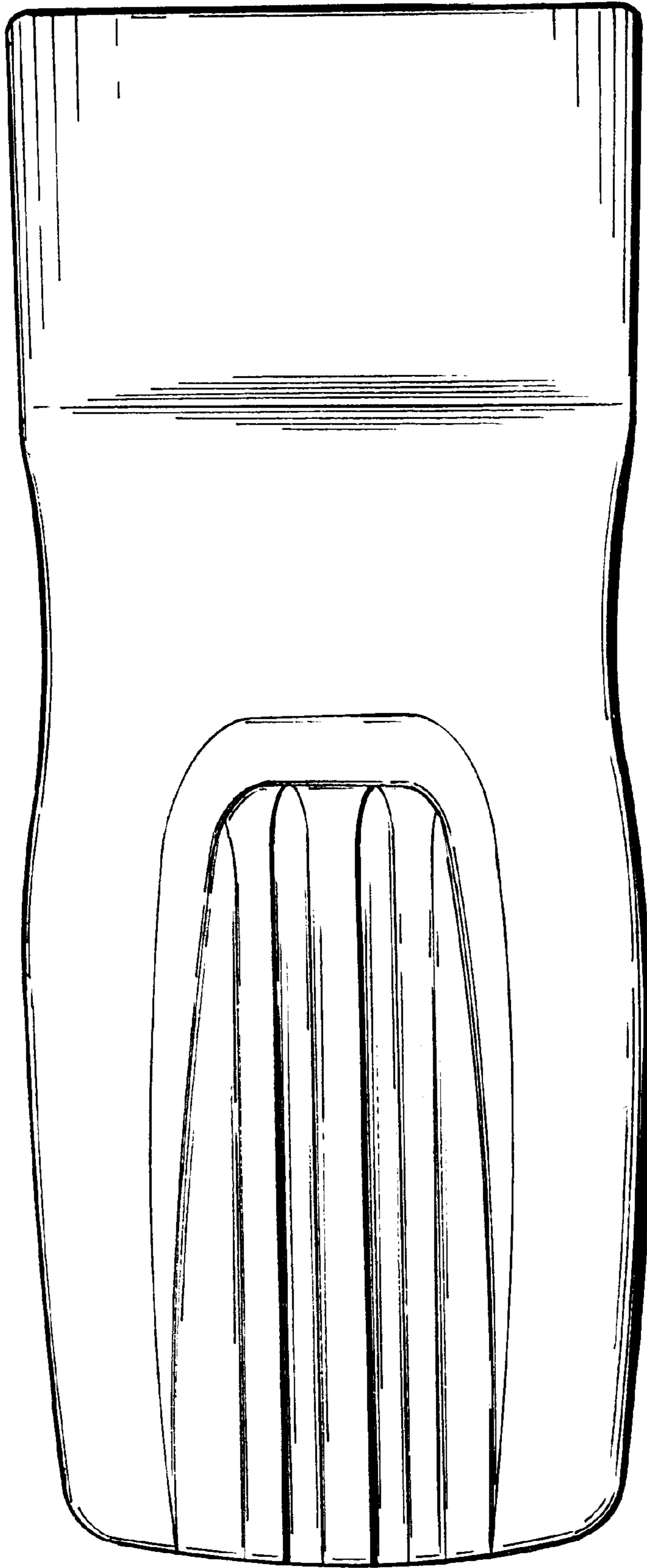


FIG. 9

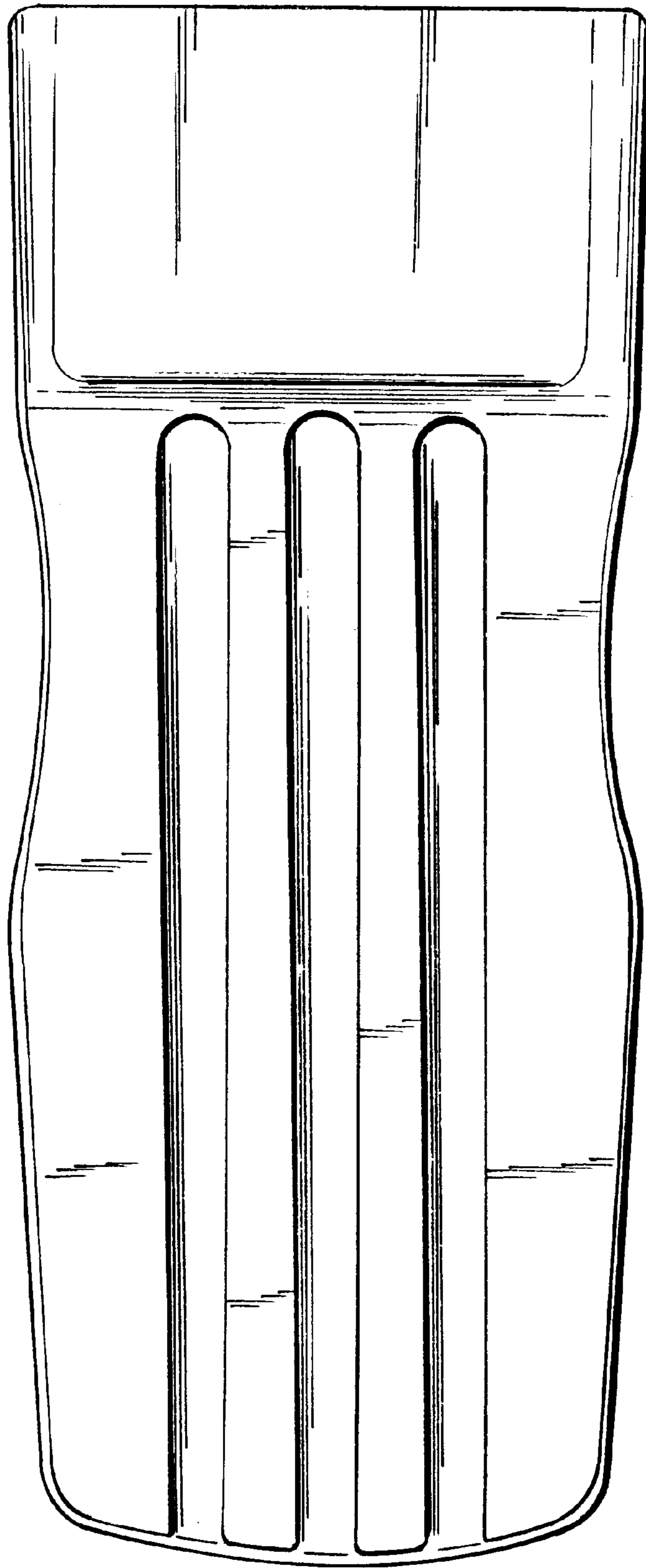


FIG.10

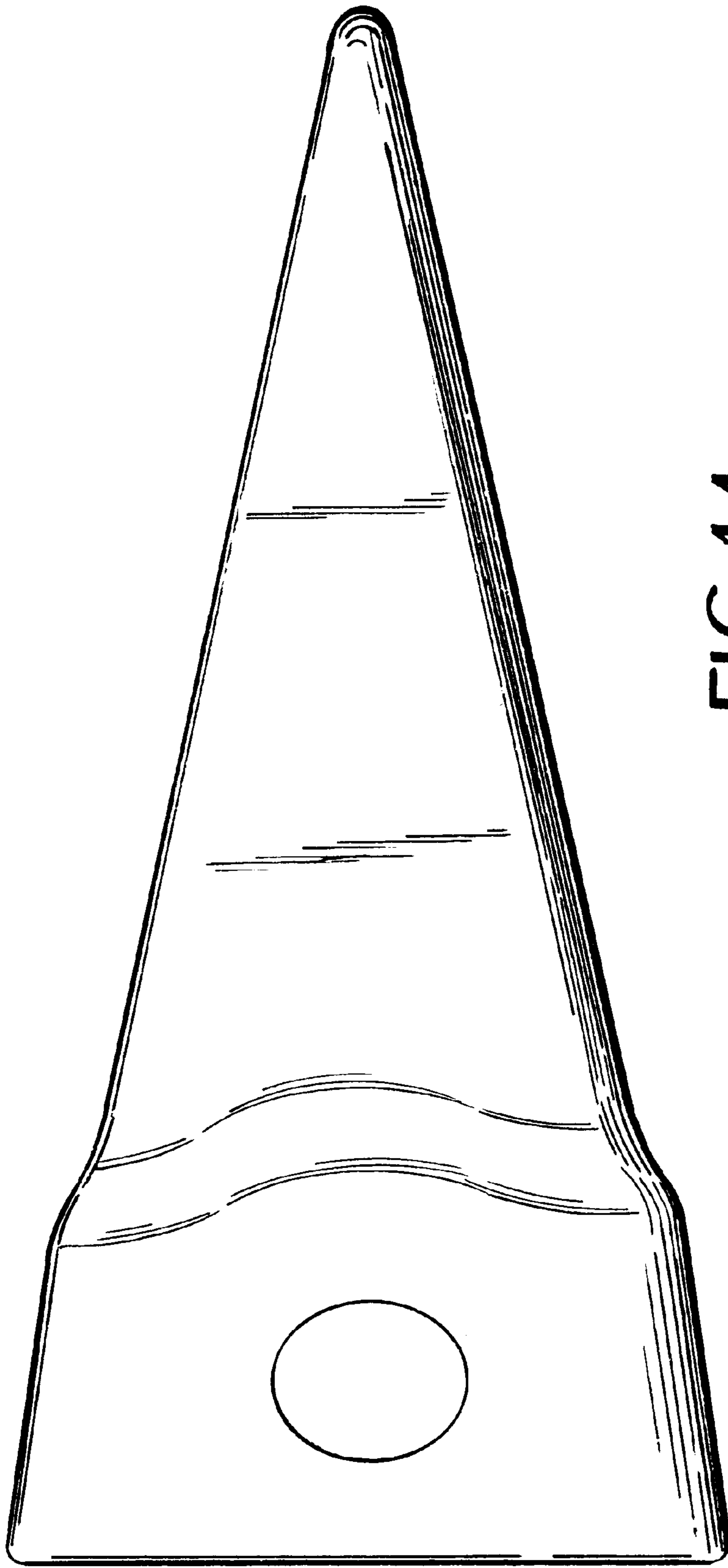


FIG.11