



US00D454889S

(12) **United States Design Patent**
Kawaguchi et al.

(10) **Patent No.: US D454,889 S**
(45) **Date of Patent: ** Mar. 26, 2002**

(54) **COMPRESSOR FOR A VEHICLE AIR
CONDITIONER**

(56) **References Cited**

(75) Inventors: **Masahiro Kawaguchi; Masanori
Sonobe; Ken Suitou; Tetsuhiko
Fukanuma; Osamu Hiramatsu**, all of
Kariya (JP)

(73) Assignee: **Kabushiki Kaisha Toyota Jidoshokki
Seisakusho**, Kariya (JP)

(**) Term: **14 Years**

(21) Appl. No.: **29/143,380**

(22) Filed: **Jun. 12, 2001**

Related U.S. Application Data

(62) Division of application No. 29/133,317, filed on Nov. 28,
2000, which is a division of application No. 29/079,258,
filed on Nov. 10, 1997, now Pat. No. Des. 441,377.

(30) **Foreign Application Priority Data**

May 9, 1997	(JP)	9-53919
Sep. 16, 1997	(JP)	9-68048
Sep. 16, 1997	(JP)	9-68049
Sep. 16, 1997	(JP)	9-68050
Sep. 16, 1997	(JP)	9-68051
Sep. 16, 1997	(JP)	9-68052
Sep. 16, 1997	(JP)	9-68053

(51) **LOC (7) Cl.** **15-02**

(52) **U.S. Cl.** **D15/9**

(58) **Field of Search** D15/5, 7-9.1;
D23/324, 325, 352, 354; 417/415, 234,
539, 222.1, 231, 205, 360, 572

U.S. PATENT DOCUMENTS

D282,471	S	*	2/1986	Bearint et al.	D15/9
D351,603	S	*	10/1994	Ikeda et al.	D15/9
D352,291	S	*	11/1994	Ikeda et al.	D15/7
D353,145	S	*	12/1994	Ikeda et al.	D15/9
5,470,207	A	*	11/1995	Shockey et al.	417/360
D370,225	S	*	5/1996	Wada et al.	D15/9
D373,366	S	*	9/1996	Wada et al.	D15/9
D381,993	S	*	8/1997	Takenaka et al.	D15/9

* cited by examiner

Primary Examiner—Ralf Seifert

(74) *Attorney, Agent, or Firm*—Morgan & Finnegan, LLP

(57) **CLAIM**

The ornamental design for a compressor for a vehicle air
conditioner, as shown and described.

DESCRIPTION

FIG. 1 is a front elevational view of a compressor for a
vehicle air conditioner;

FIG. 2 is a rear elevational view thereof;

FIG. 3 is a top plan view thereof;

FIG. 4 is a bottom plan view thereof;

FIG. 5 is a right side elevational view thereof;

FIG. 6 is a left side elevational view thereof;

FIG. 7 is a front perspective view thereof; and,

FIG. 8 is a rear perspective view therefor.

1 Claim, 4 Drawing Sheets

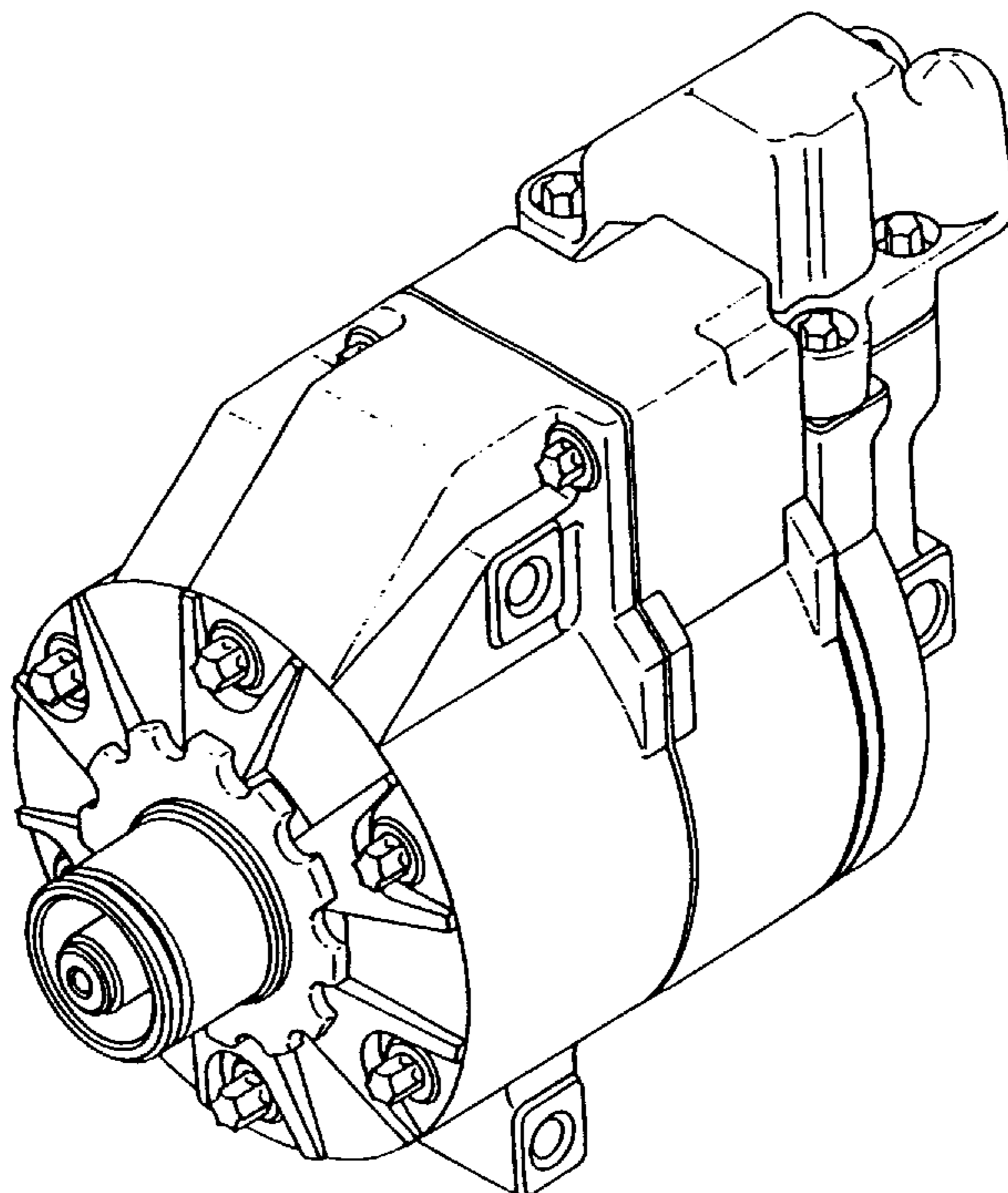


Fig. 1

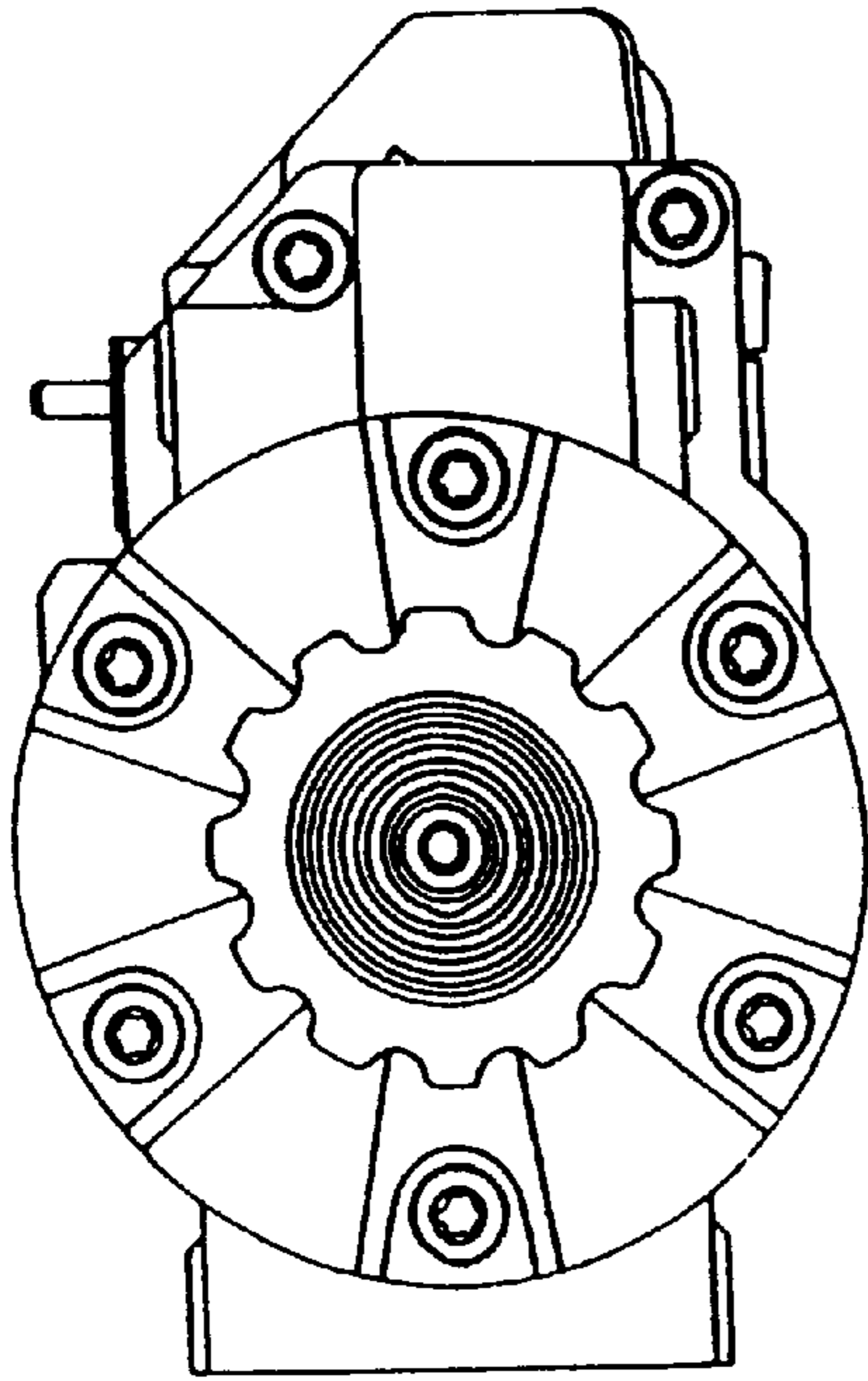


Fig. 2

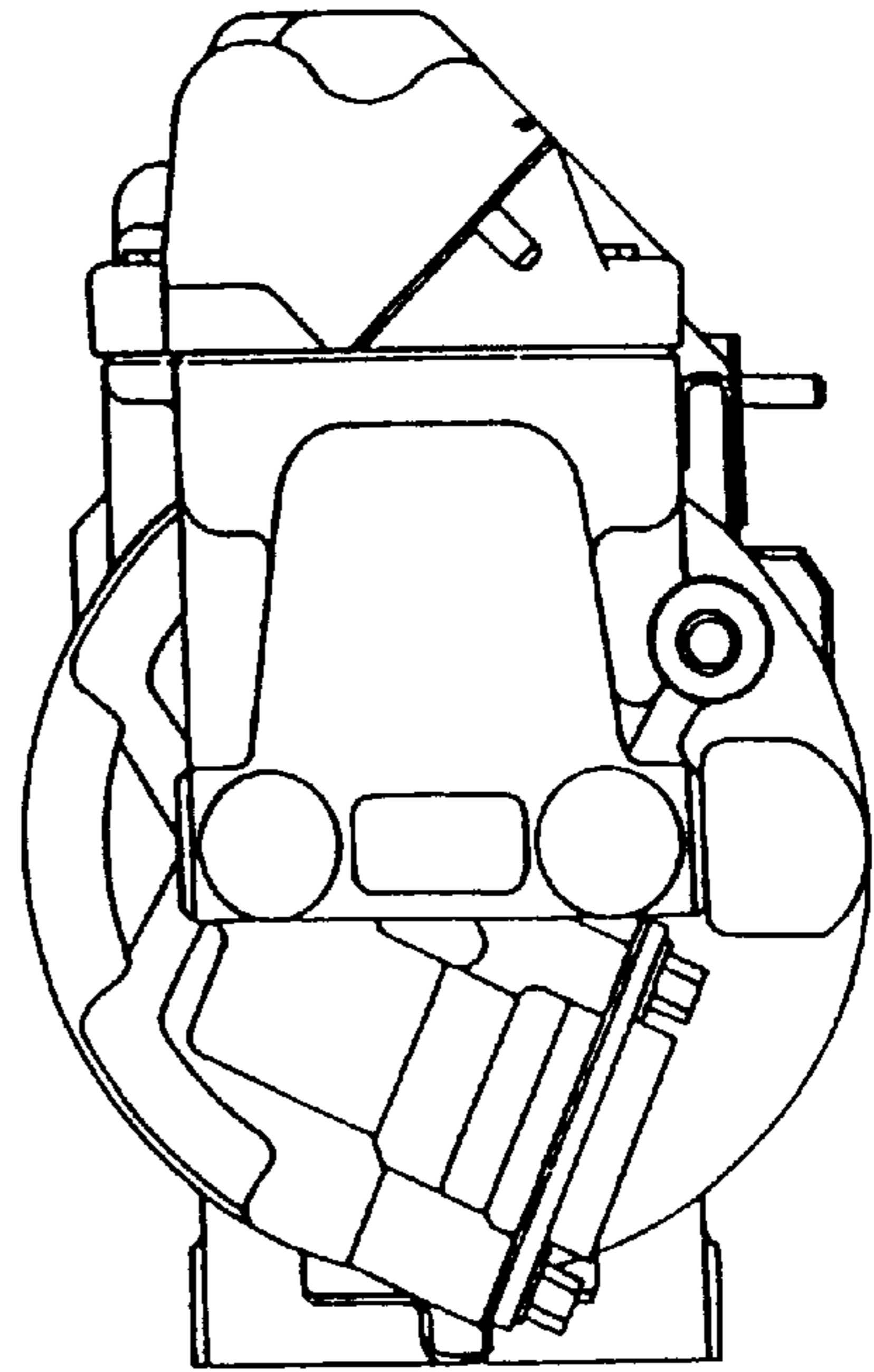


Fig. 3

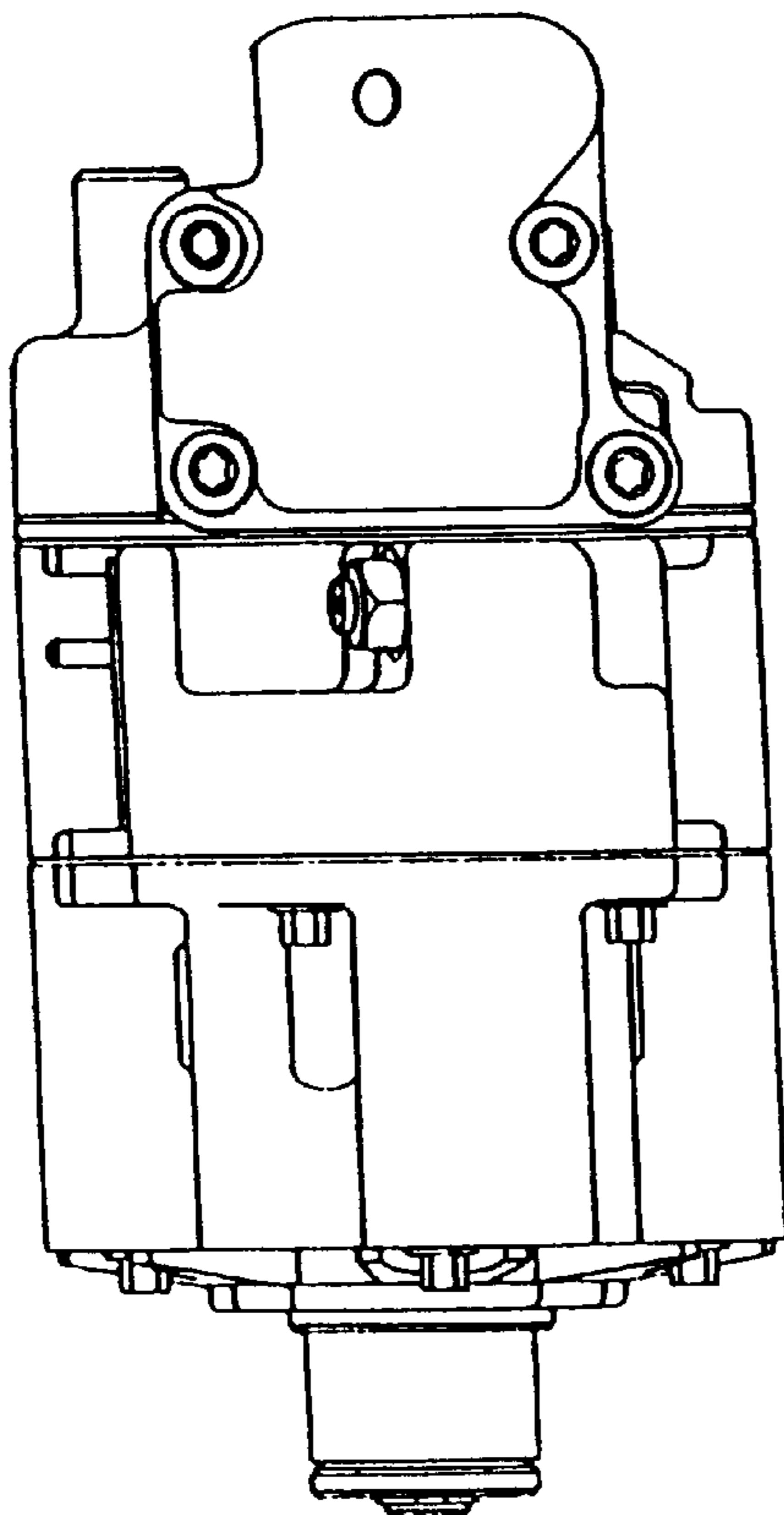


Fig. 4

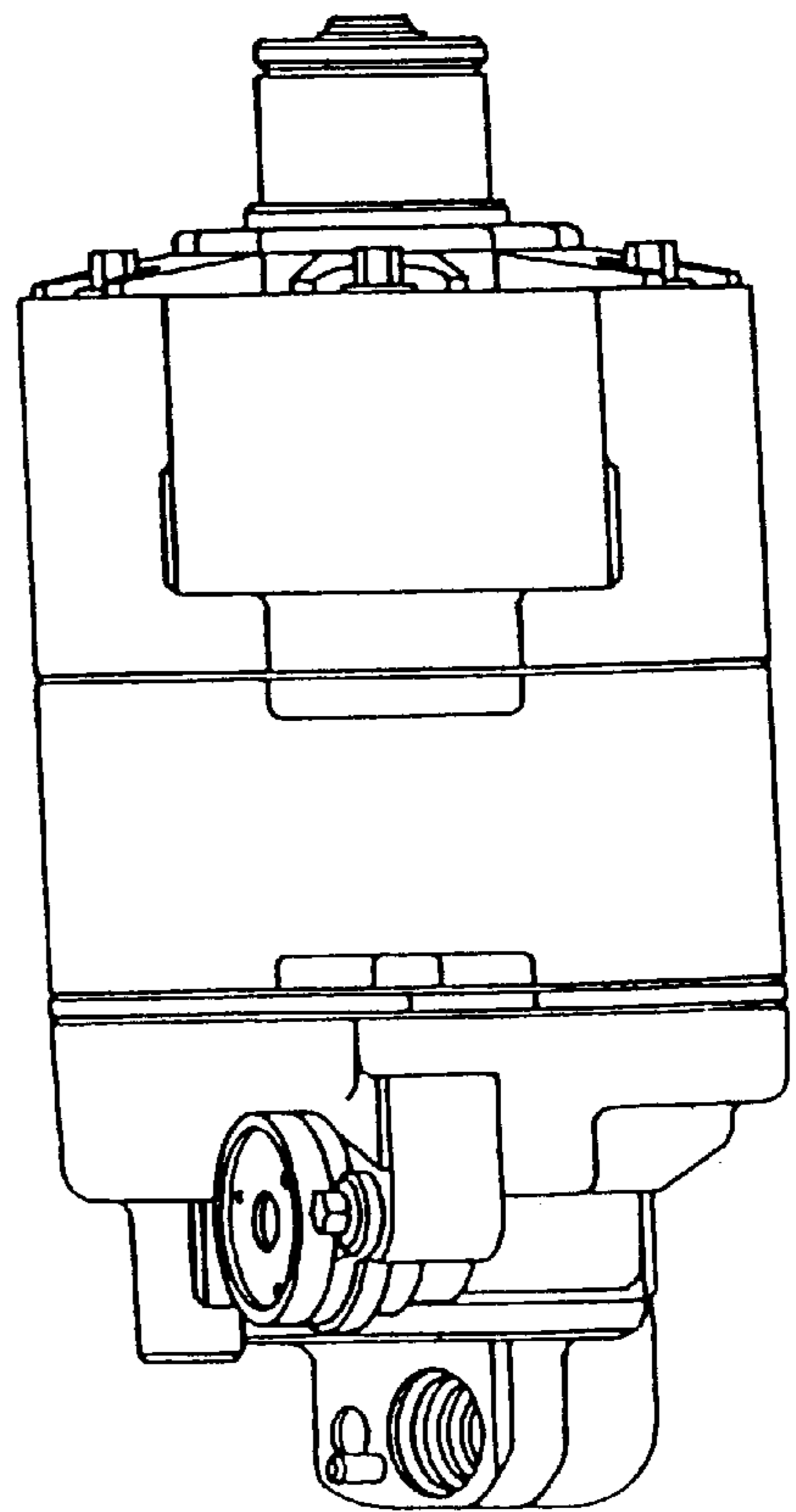


Fig. 5

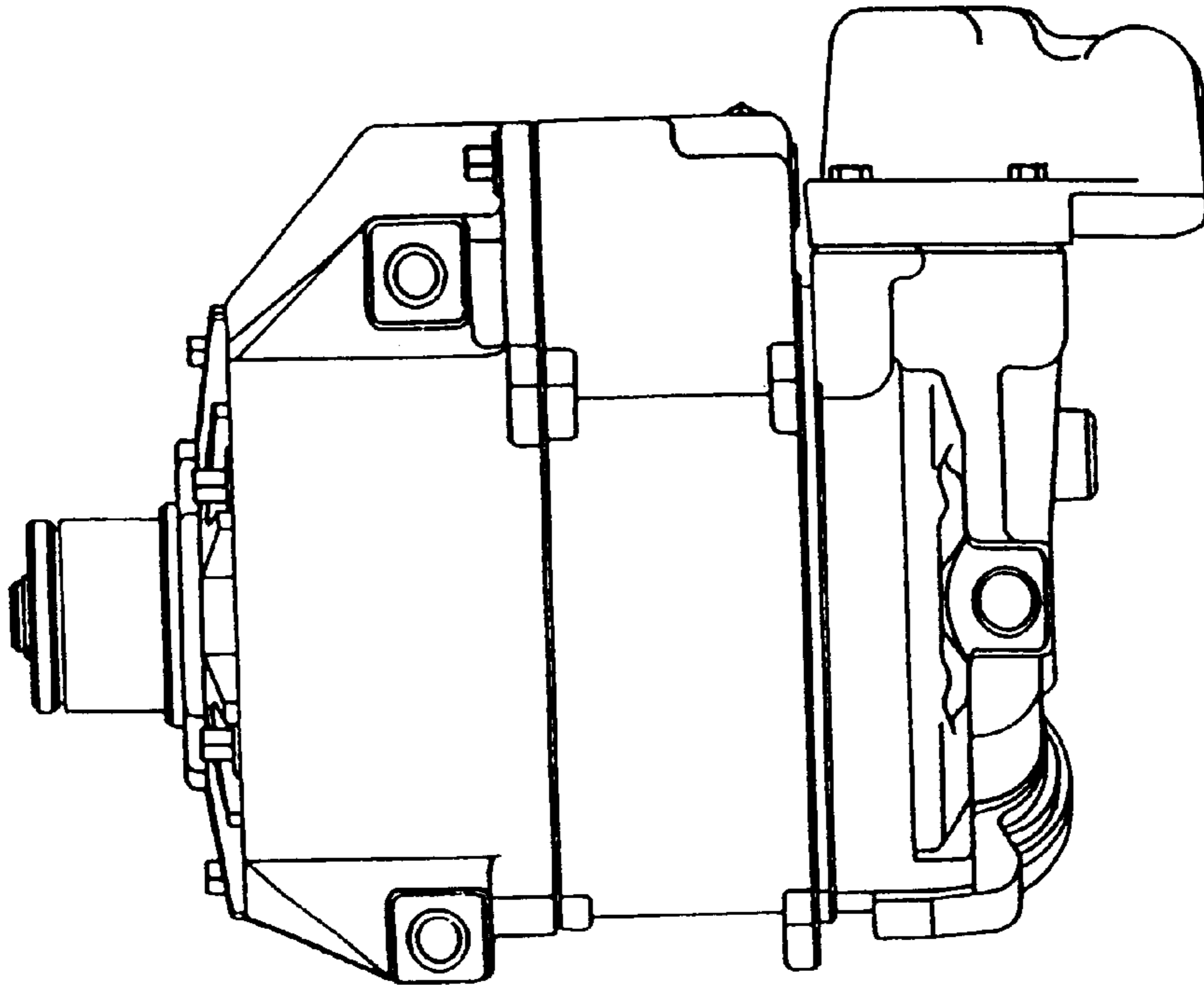


Fig. 6

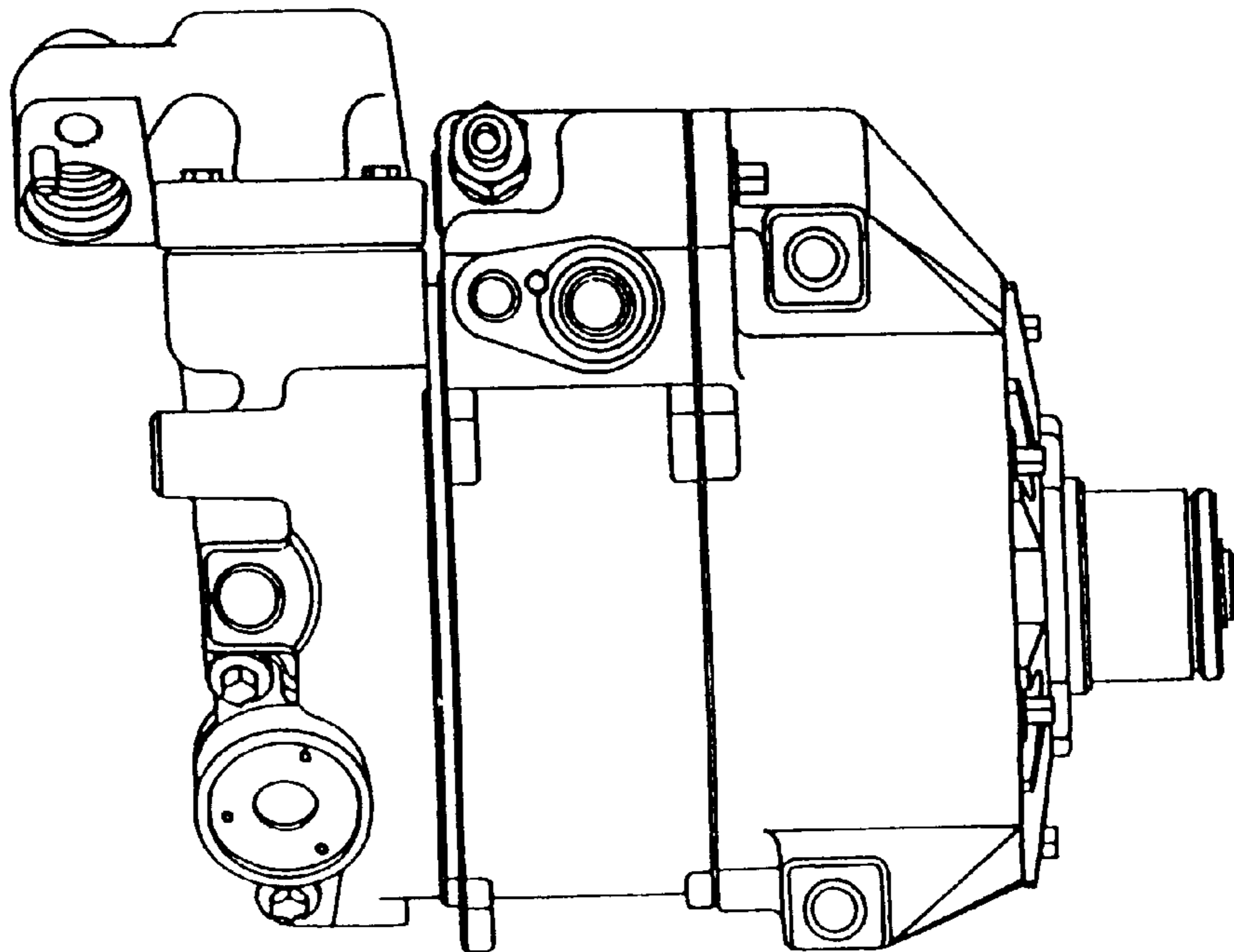


Fig. 7

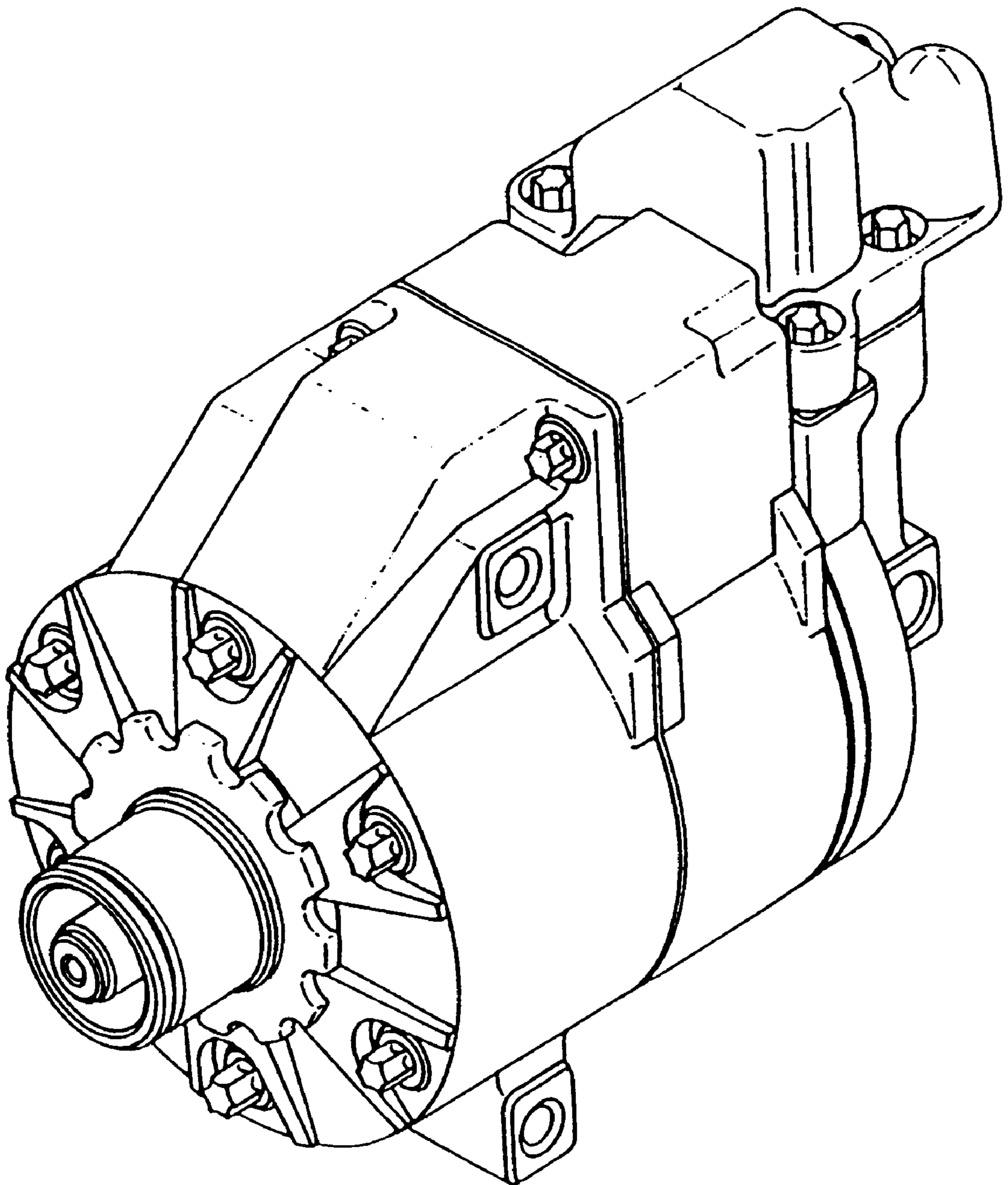


Fig. 8

