



US00D454887S

(12) **United States Design Patent**  
**Sekiya et al.**

(10) **Patent No.:** **US D454,887 S**

(45) **Date of Patent:** **\*\* Mar. 26, 2002**

(54) **STIRLING REFRIGERATING MACHINE**

5,987,886 A \* 11/1999 Sekiya et al. .... 60/523

6,161,389 A \* 12/2000 Sekiya et al. .... 62/6

6,279,325 B1 \* 8/2001 Sekiya et al. .... 62/6

(75) Inventors: **Hiroshi Sekiya; Takeo Komatsubara,**  
both of Osaka-fu (JP)

\* cited by examiner

(73) Assignee: **Sanyo Electric Co., Ltd.,** Osaka-fu (JP)

*Primary Examiner*—Ralf Seifert

(\*\*) Term: **14 Years**

(74) *Attorney, Agent, or Firm*—Weingarten, Schurgin,  
Gagnebin & Lebovici LLP

(21) Appl. No.: **29/140,148**

(57) **CLAIM**

(22) Filed: **Apr. 11, 2001**

The ornamental design for stirling refrigerating machine, as shown.

(30) **Foreign Application Priority Data**

Oct. 17, 2000 (JP) ..... 2000-029315

**DESCRIPTION**

(51) **LOC (7) Cl.** ..... **15-02**

FIG. 1 is a perspective view of stirling refrigerating machine at the upper right-side direction;

(52) **U.S. Cl.** ..... **D15/7**

FIG. 2 is a front view thereof;

(58) **Field of Search** ..... D15/1, 7-9; 62/6,  
62/250, 520, 523, 524, 526

FIG. 3 is a rear view thereof;

FIG. 4 is a top view thereof;

FIG. 5 is a bottom view thereof;

FIG. 6 is a right-side view thereof;

FIG. 7 is a left-side view thereof;

FIG. 8 is a top view showing the mobility of the exist and the entrance of the cooling medium; and,

FIG. 9 is a perspective view shown in a position of use.

It being understood that the broken lines are for illustrative purposes only.

(56) **References Cited**

**U.S. PATENT DOCUMENTS**

- D116,078 S \* 8/1939 Jacobs ..... D15/1
- D192,060 S \* 1/1962 Thomas ..... D15/7
- D262,113 S \* 12/1981 Durrum ..... D15/7
- D285,077 S \* 8/1986 Moody ..... D15/1
- D391,270 S \* 2/1998 Chowdhury ..... D15/7
- D394,068 S \* 5/1998 Pollrich et al. .... D15/9
- 5,927,079 A \* 7/1999 Sekiya et al. .... 62/6

**1 Claim, 5 Drawing Sheets**

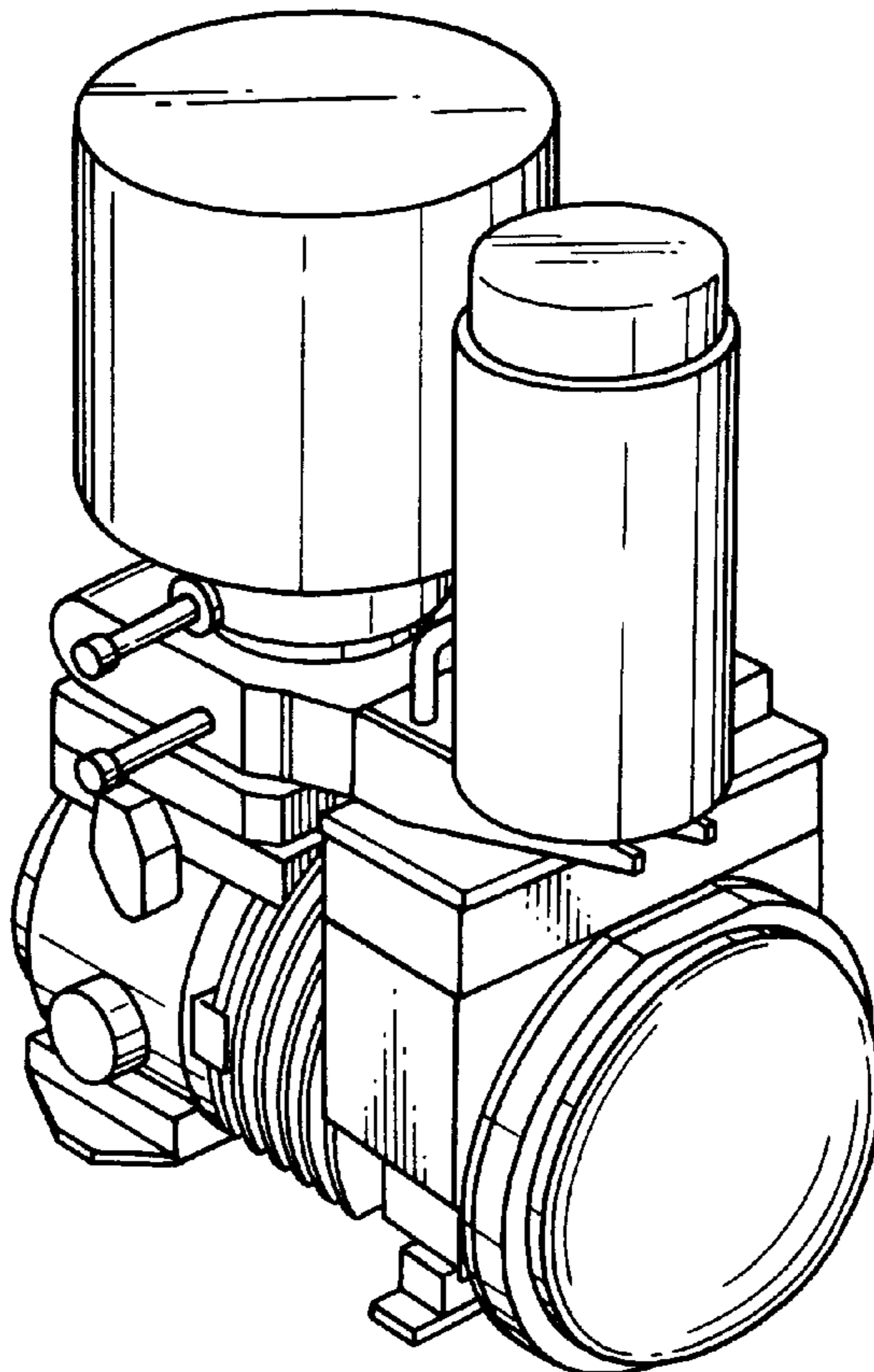


Fig. 1

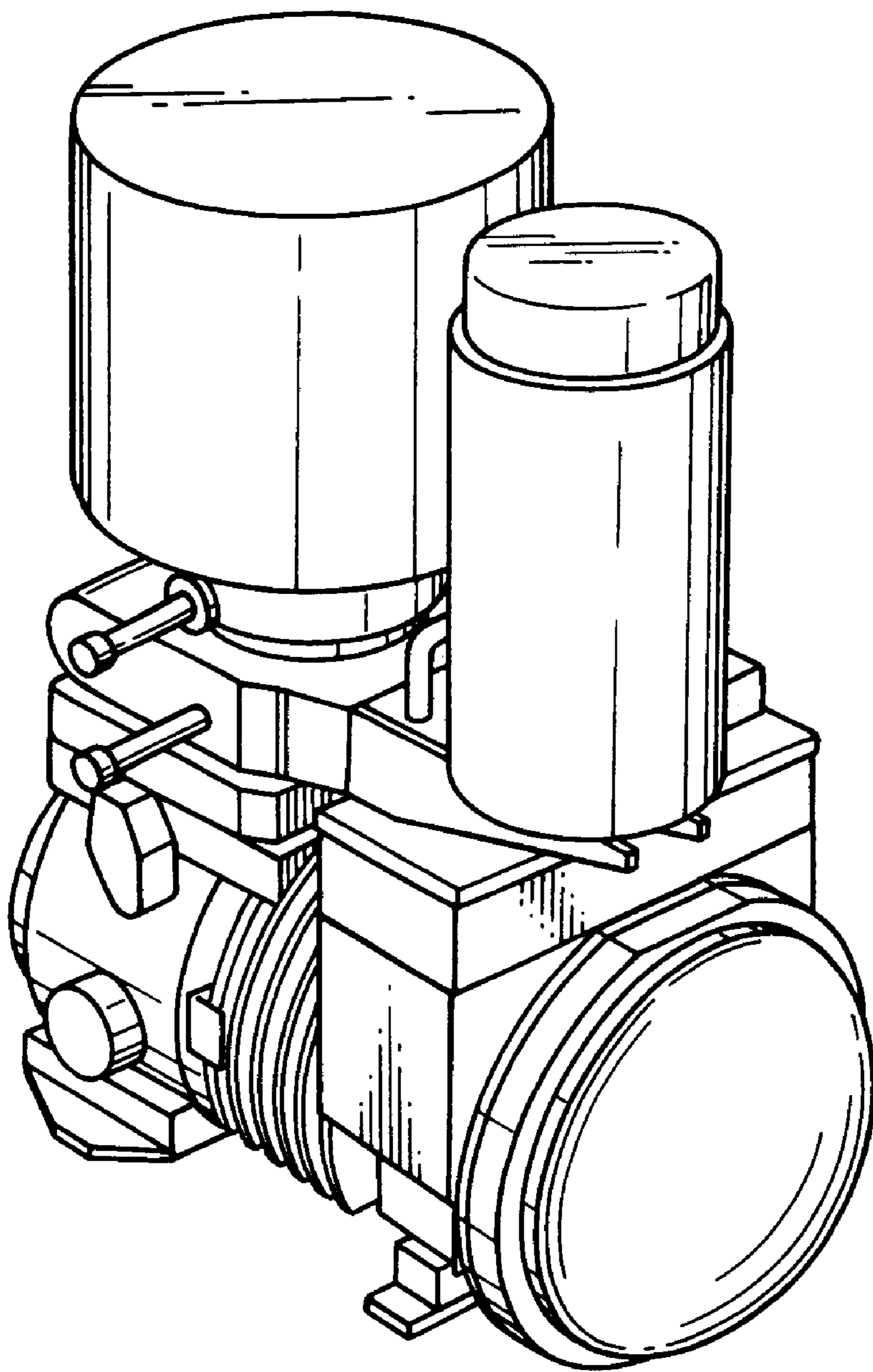


Fig. 2

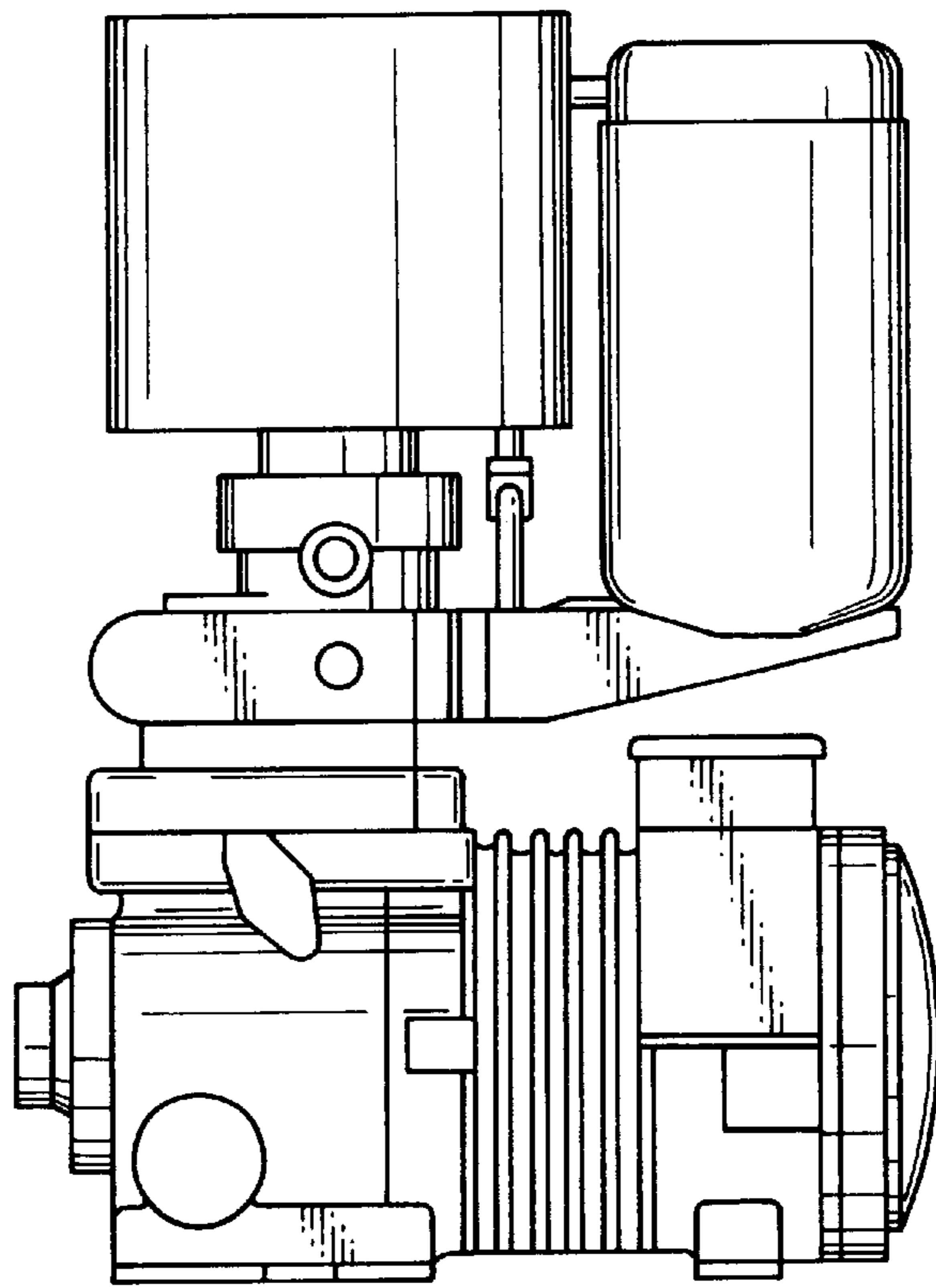


Fig. 3

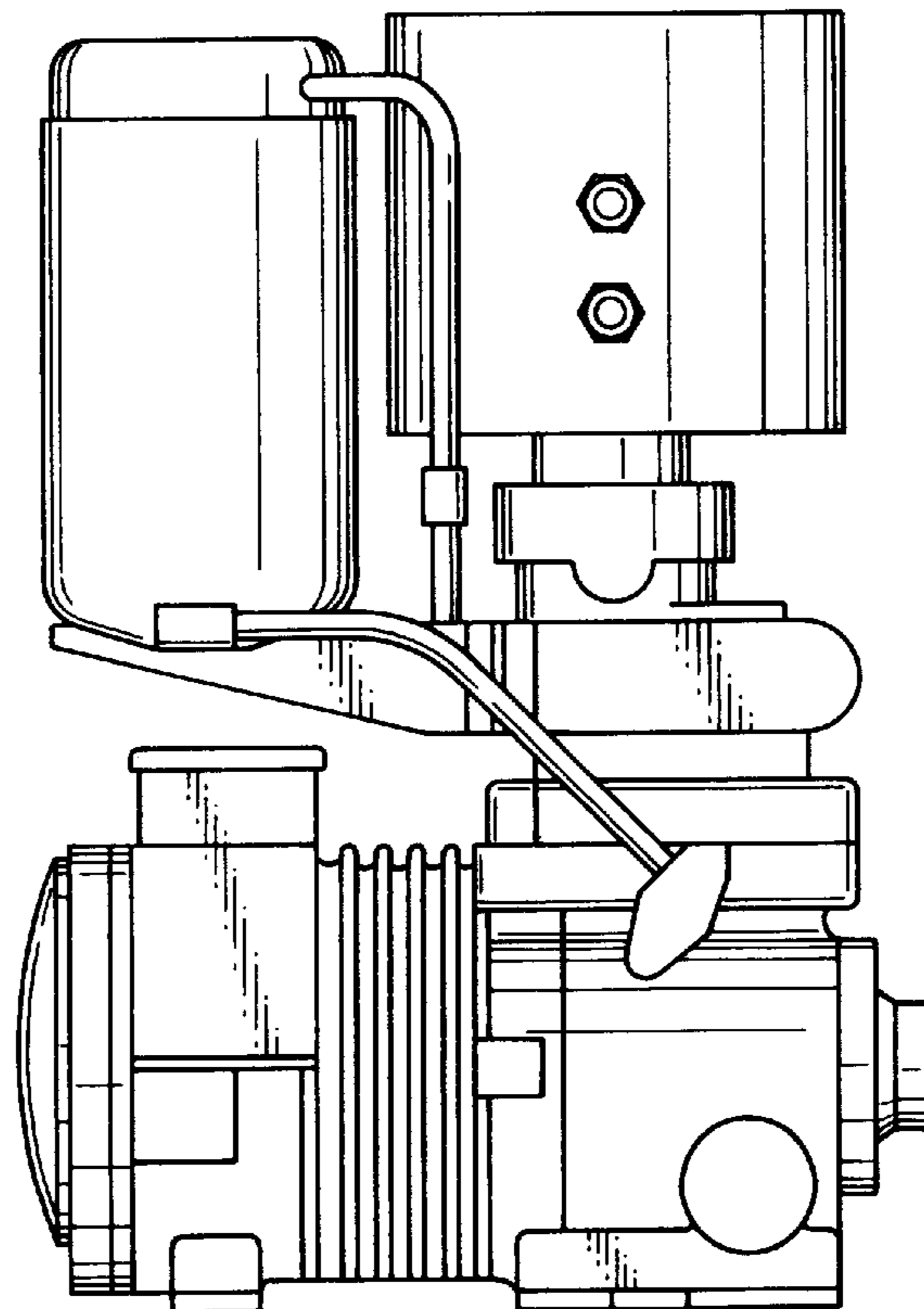


Fig. 4

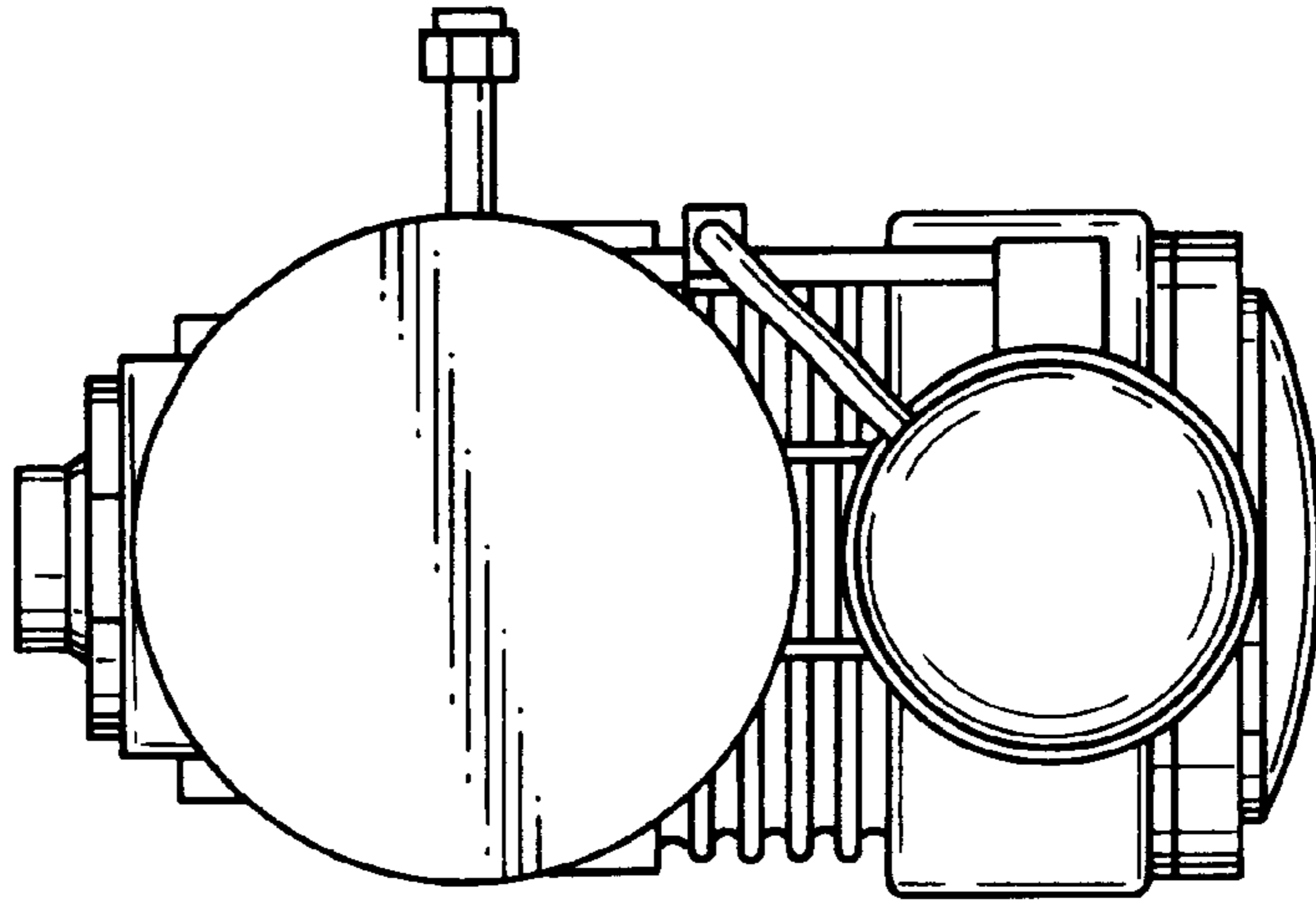


Fig. 5

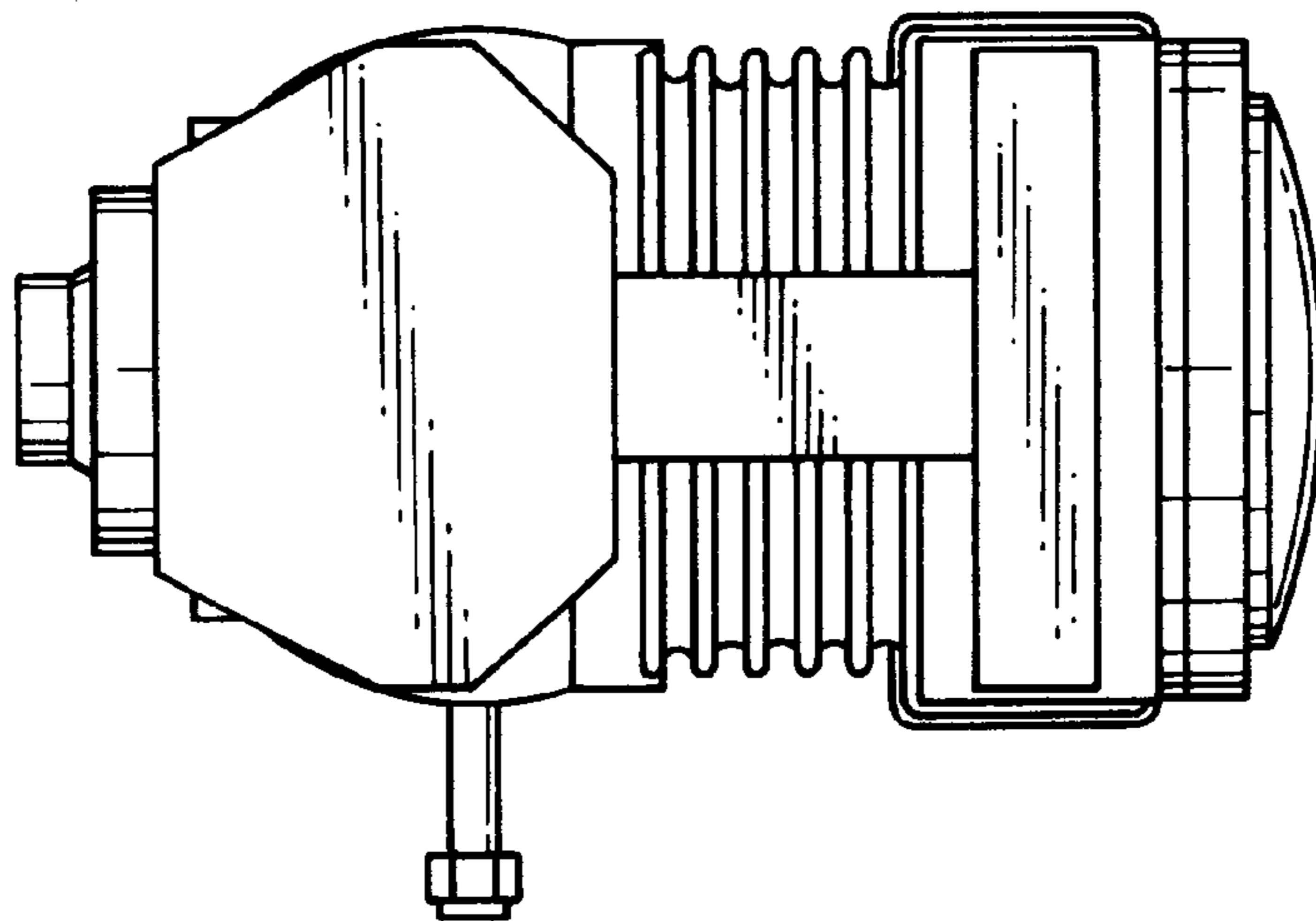


Fig. 6

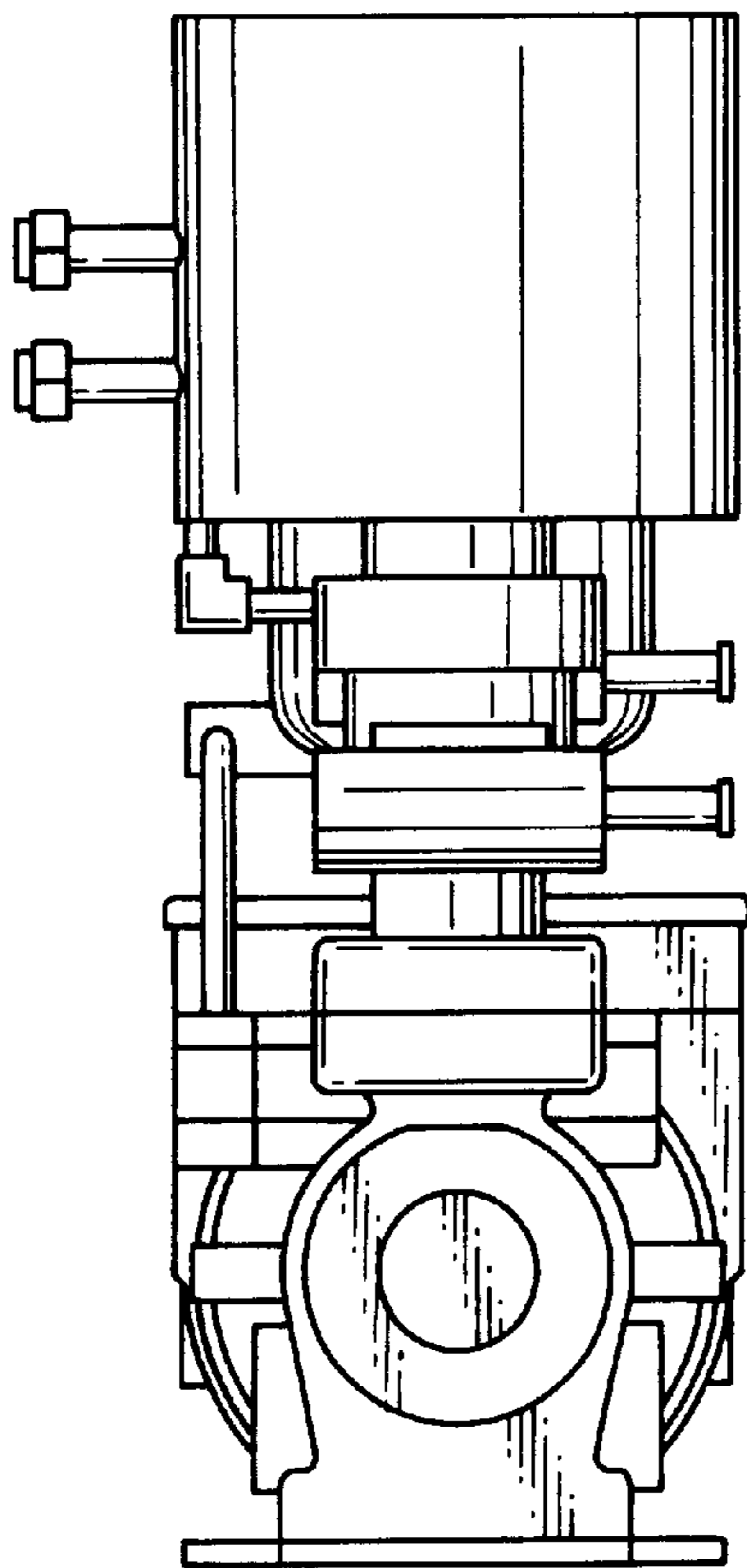


Fig. 7

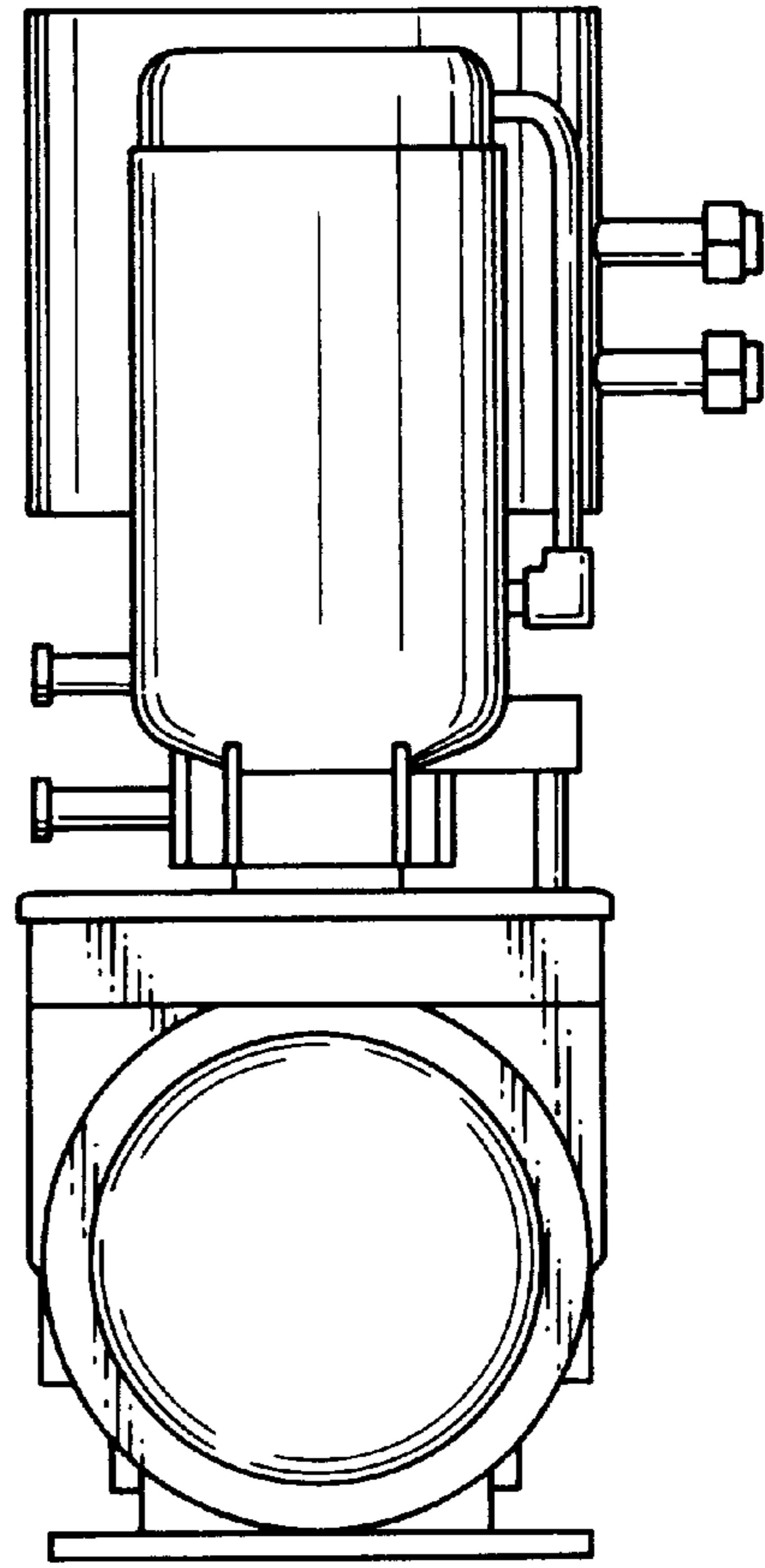


Fig. 8

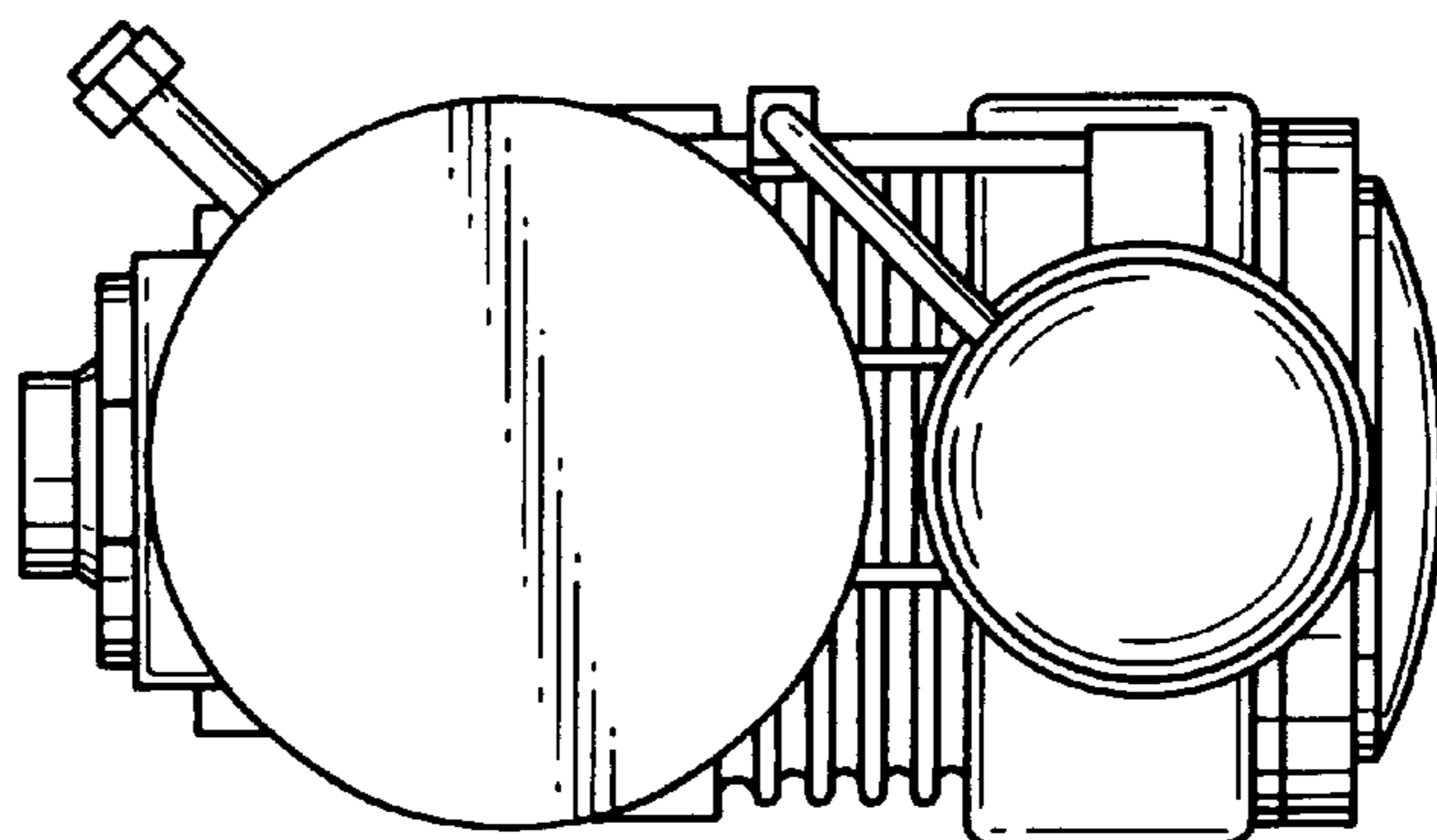


Fig. 9

