



US00D454885S

(12) **United States Design Patent**
Murayama et al.

(10) **Patent No.:** **US D454,885 S**
(45) **Date of Patent:** **** Mar. 26, 2002**

(54) **DIAPHRAGM PUMP**

D436,360 S * 1/2001 Murayama D15/7

(75) Inventors: **Yasuhiro Murayama; Toshihiro Takao**, both of Takatsuki (JP)

* cited by examiner

(73) Assignee: **Techno Takatsuki Co., Ltd.**, Takatsuki (JP)

Primary Examiner—Ralf Seifert
(74) *Attorney, Agent, or Firm*—Armstrong, Westerman, Hattori, McLelland & Naughton, LLP

(**) Term: **14 Years**

(57) **CLAIM**

(21) Appl. No.: **29/134,113**

The ornamental design for a diaphragm pump, as shown and described.

(22) Filed: **Dec. 15, 2000**

DESCRIPTION

(30) **Foreign Application Priority Data**

Jun. 20, 2000 (JP) 2000-016711

FIG. 1 is a perspective view of my new design of diaphragm pump;

(51) **LOC (7) Cl.** **15-02**

FIG. 2 is a front view thereof;

(52) **U.S. Cl.** **D15/7**

FIG. 3 is a rear view thereof;

(58) **Field of Search** D15/7-9.1; 417/410.1, 417/413.1, 423.3, 40, 88; 200/84 B

FIG. 4 is a right side view thereof;

FIG. 5 is a left side view thereof;

FIG. 6 is a plane view thereof;

FIG. 7 is a bottom view thereof; and,

FIG. 8 is a cross-sectional view taken along the line 8—8 of FIG. 6.

It being understood that the broken lines are for illustrative purposes only.

(56) **References Cited**

U.S. PATENT DOCUMENTS

D215,765 S * 10/1969 Levin D15/8

D426,553 S * 6/2000 Jack et al. D15/7

1 Claim, 8 Drawing Sheets

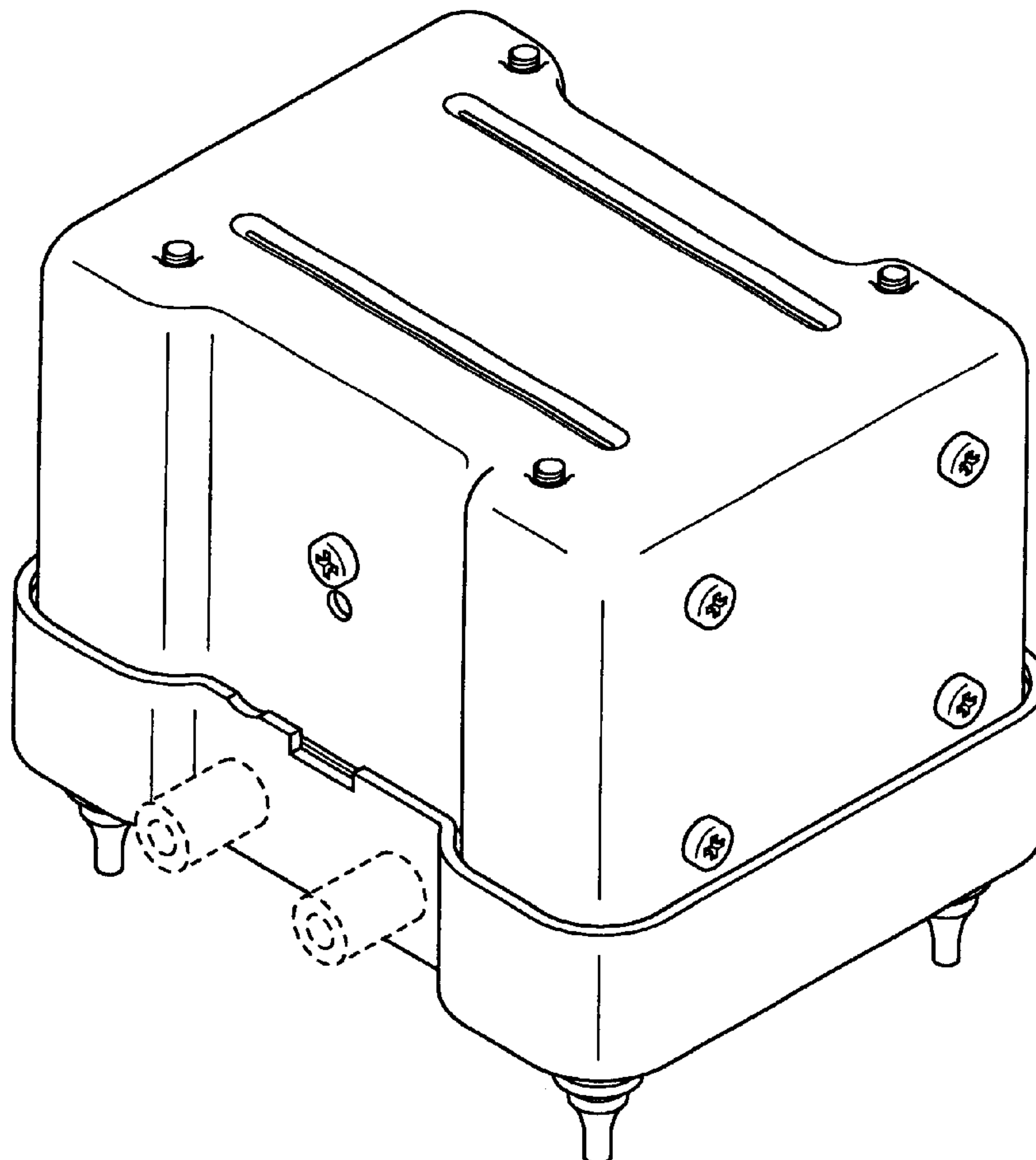


FIG. 1

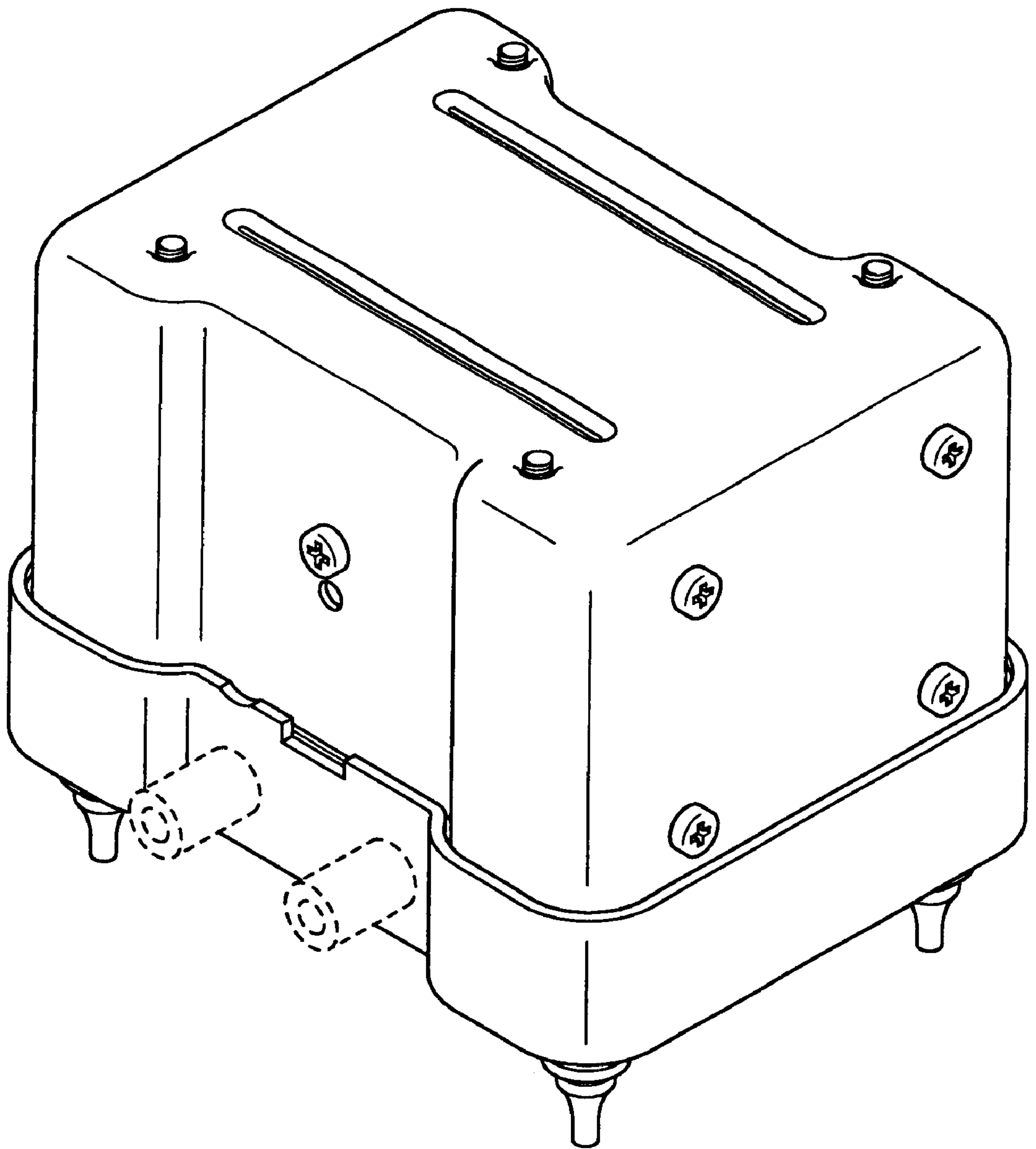


FIG. 2

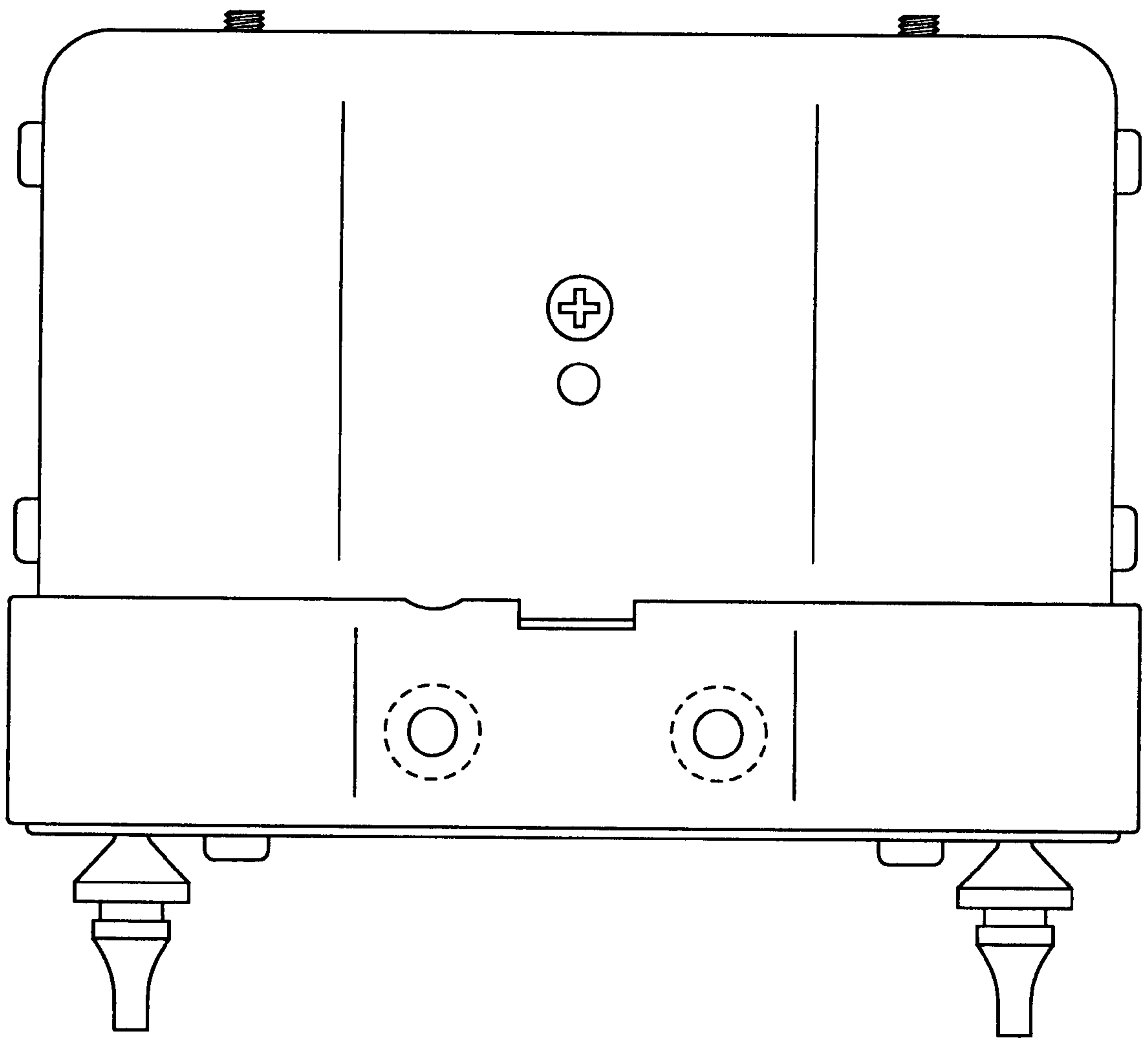


FIG. 3

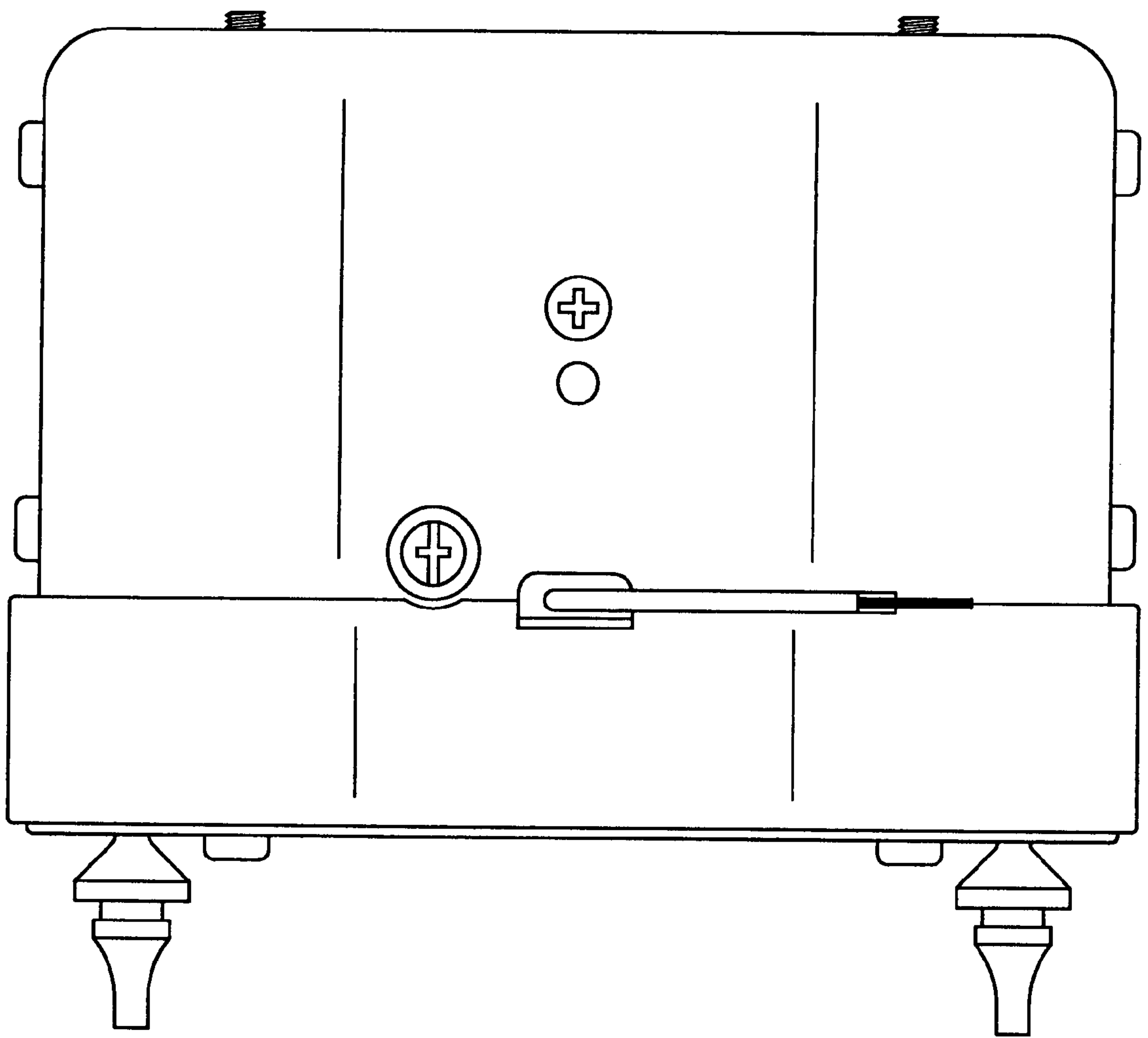


FIG. 4

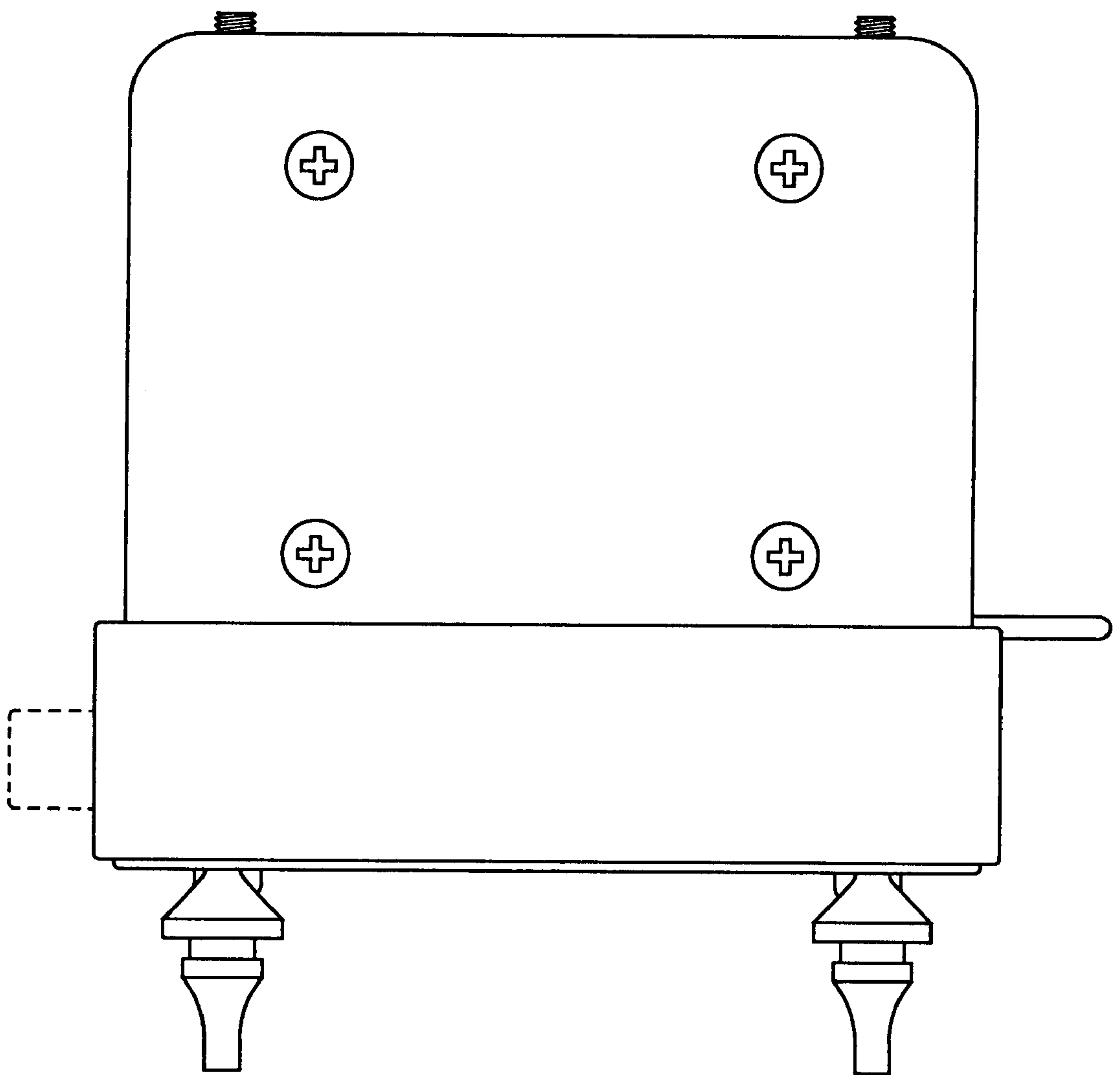


FIG. 5

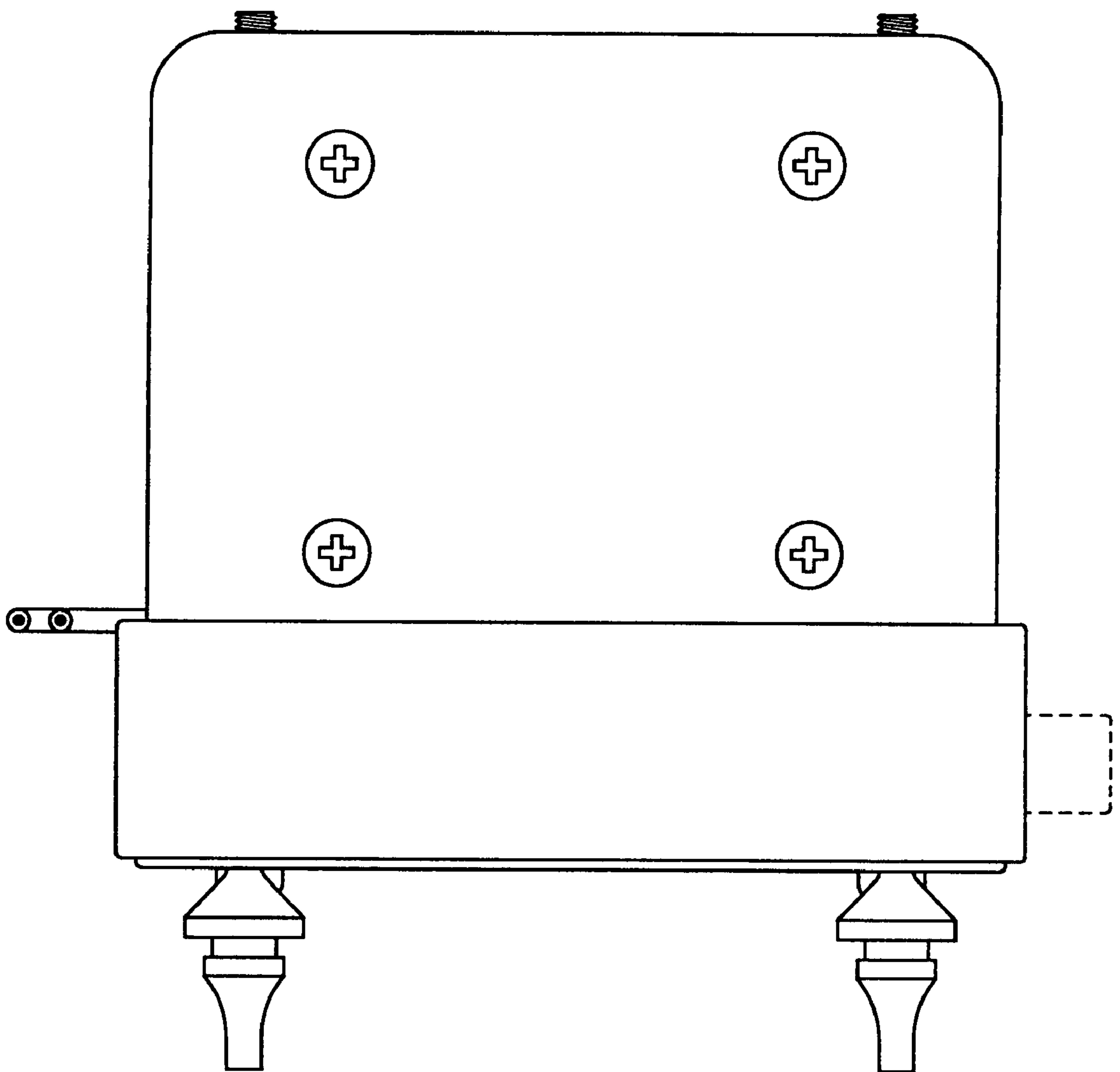


FIG. 6

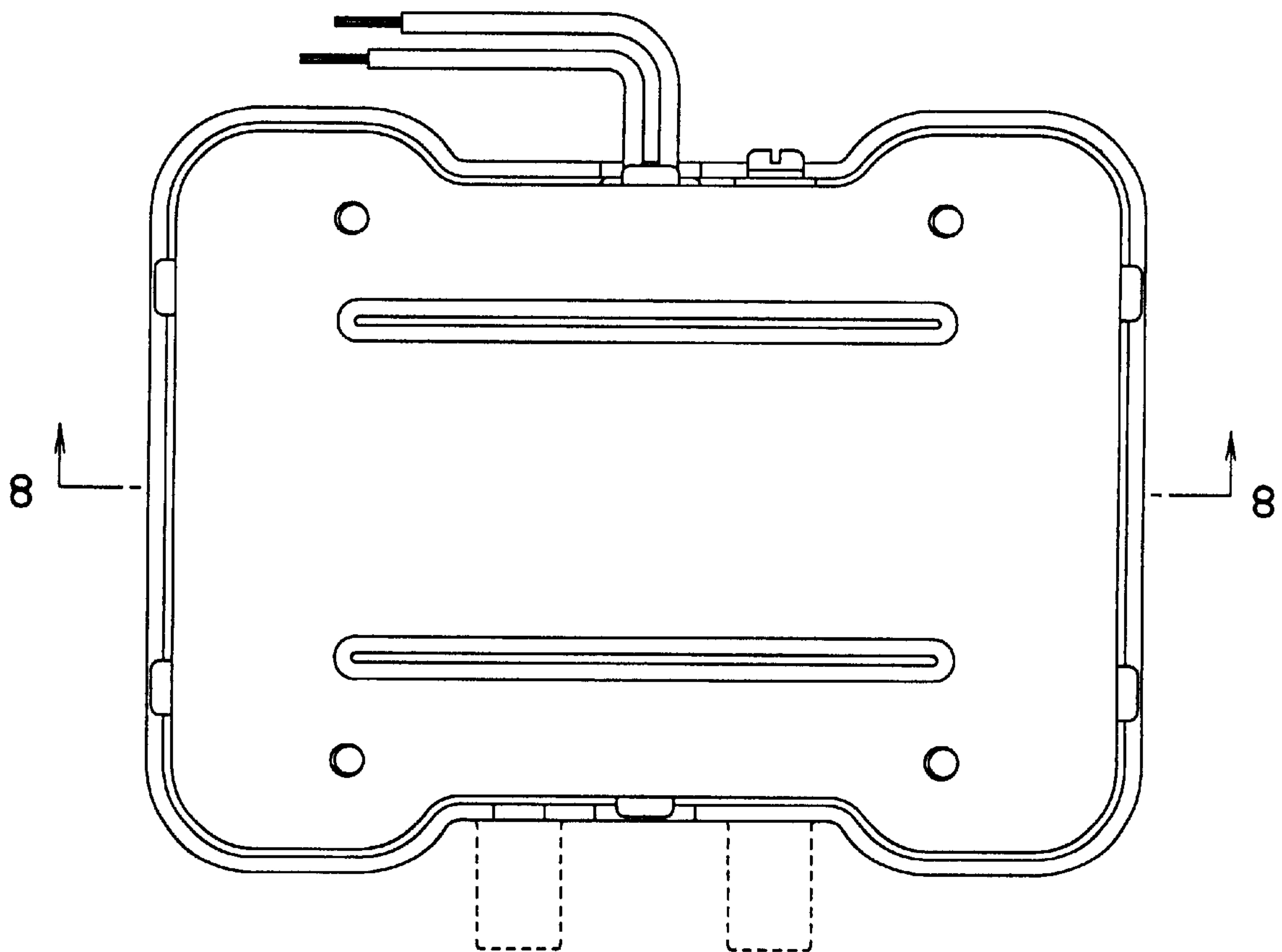


FIG. 7

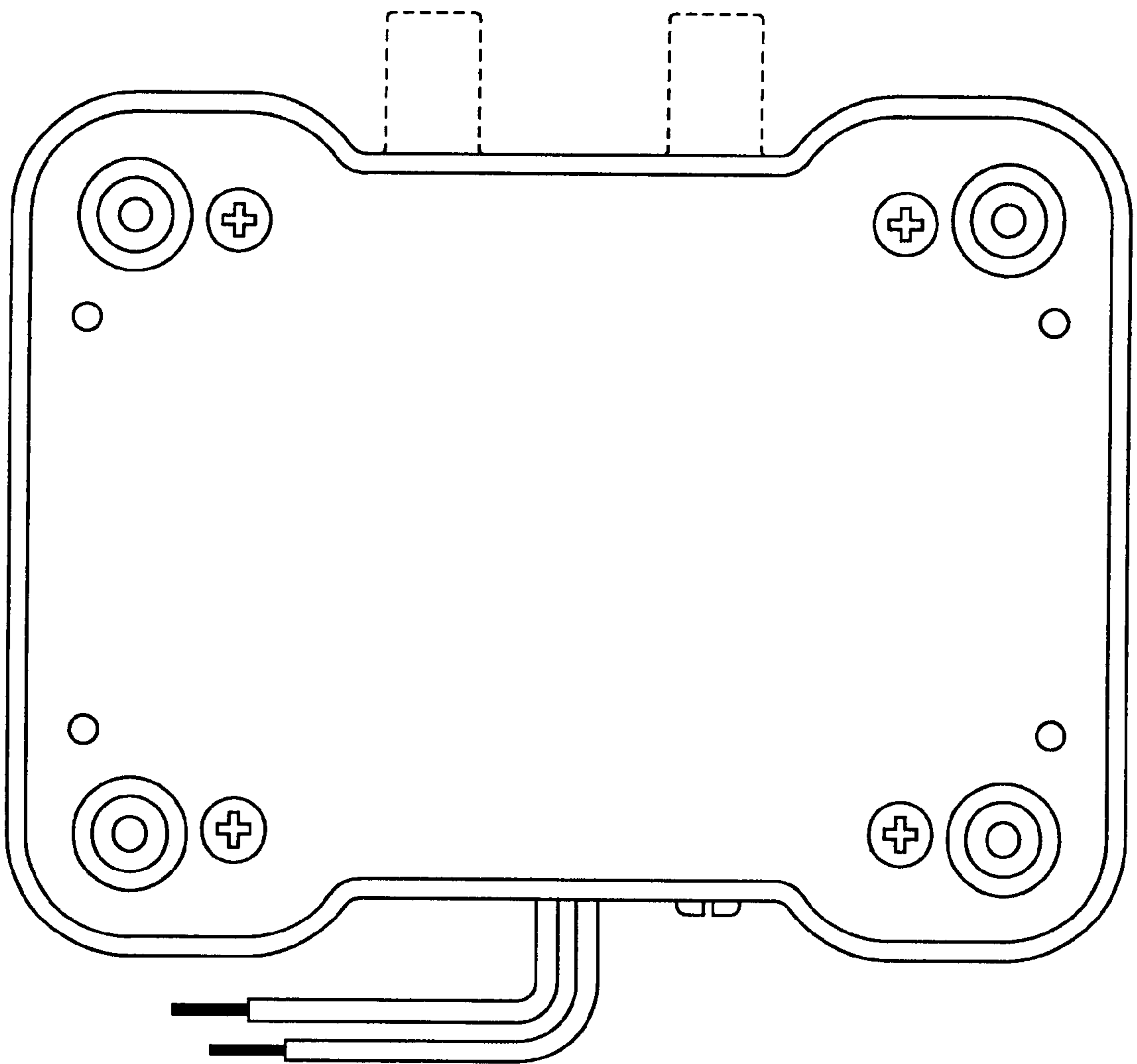


FIG. 8

