



US00D454884S

(12) **United States Design Patent**
Christiansen et al.

(10) **Patent No.:** **US D454,884 S**
(45) **Date of Patent:** **** Mar. 26, 2002**

(54) **PUMP ASSEMBLY**

(75) Inventors: **Ross P. Christiansen**, Kiel; **Jeffrey R. Staszak**; **Ryan W. Rindy**, both of Madison; **William C. Lindeman**, Marshall, all of WI (US)

(73) Assignee: **Thomas Industries Inc.**, Sheboygan, WI (US)

(**) Term: **14 Years**

(21) Appl. No.: **29/127,571**

(22) Filed: **Aug. 8, 2000**

(51) **LOC (7) Cl.** **15-02**

(52) **U.S. Cl.** **D15/7**

(58) **Field of Search** D15/7-9; 119/76; 92/58.1; 132/899.19, 565.18; 417/234, 449, 360, 362, 375, 376, 423.3, 909

(56) **References Cited**

U.S. PATENT DOCUMENTS

D295,181 S * 4/1988 Vitaloni D15/9
D328,465 S * 8/1992 Schwarz et al. D15/9

D358,398 S * 5/1995 Persson D15/7
D425,914 S * 5/2000 Tsai D15/7
D436,600 S * 1/2001 Larsson D15/7

* cited by examiner

Primary Examiner—Ralf Seifert

(74) *Attorney, Agent, or Firm*—Quarles & Brady LLP

(57) **CLAIM**

The ornamental design for a pump assembly, as shown and described.

DESCRIPTION

FIG. 1 is a rear, left side perspective view of a pump assembly showing my new design; FIG. 2 is a left side elevational thereof; FIG. 3 is a top plan elevational view thereof; FIG. 4 is a front elevational view thereof; FIG. 5 is a right side elevational view thereof; FIG. 6 is a rear elevational view thereof; and, FIG. 7 is a bottom plan view thereof.

The broken line representations of items in FIGS. 1-7, are for purposes of illustration only, and form no part of the claimed design.

1 Claim, 5 Drawing Sheets

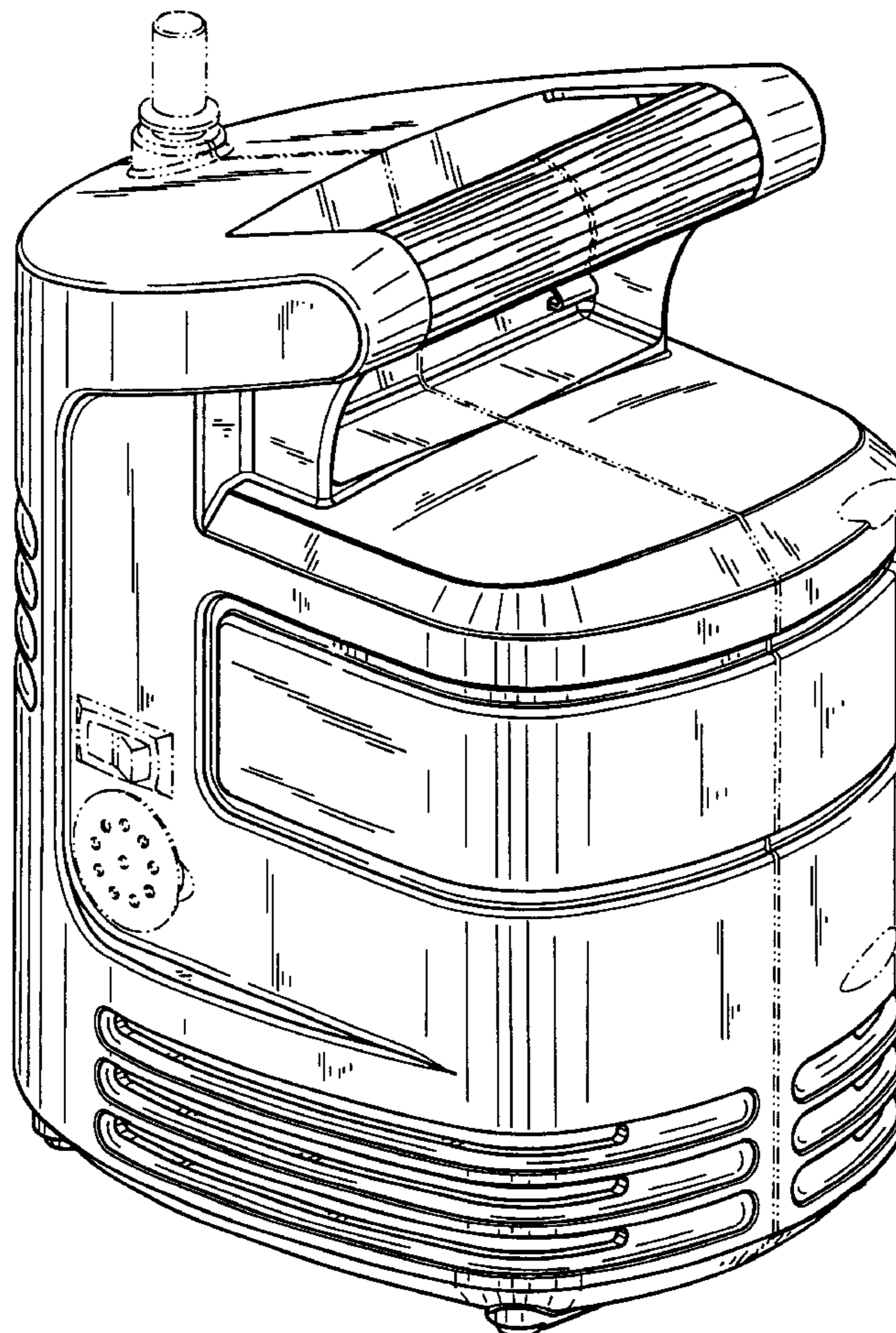


FIG. 1

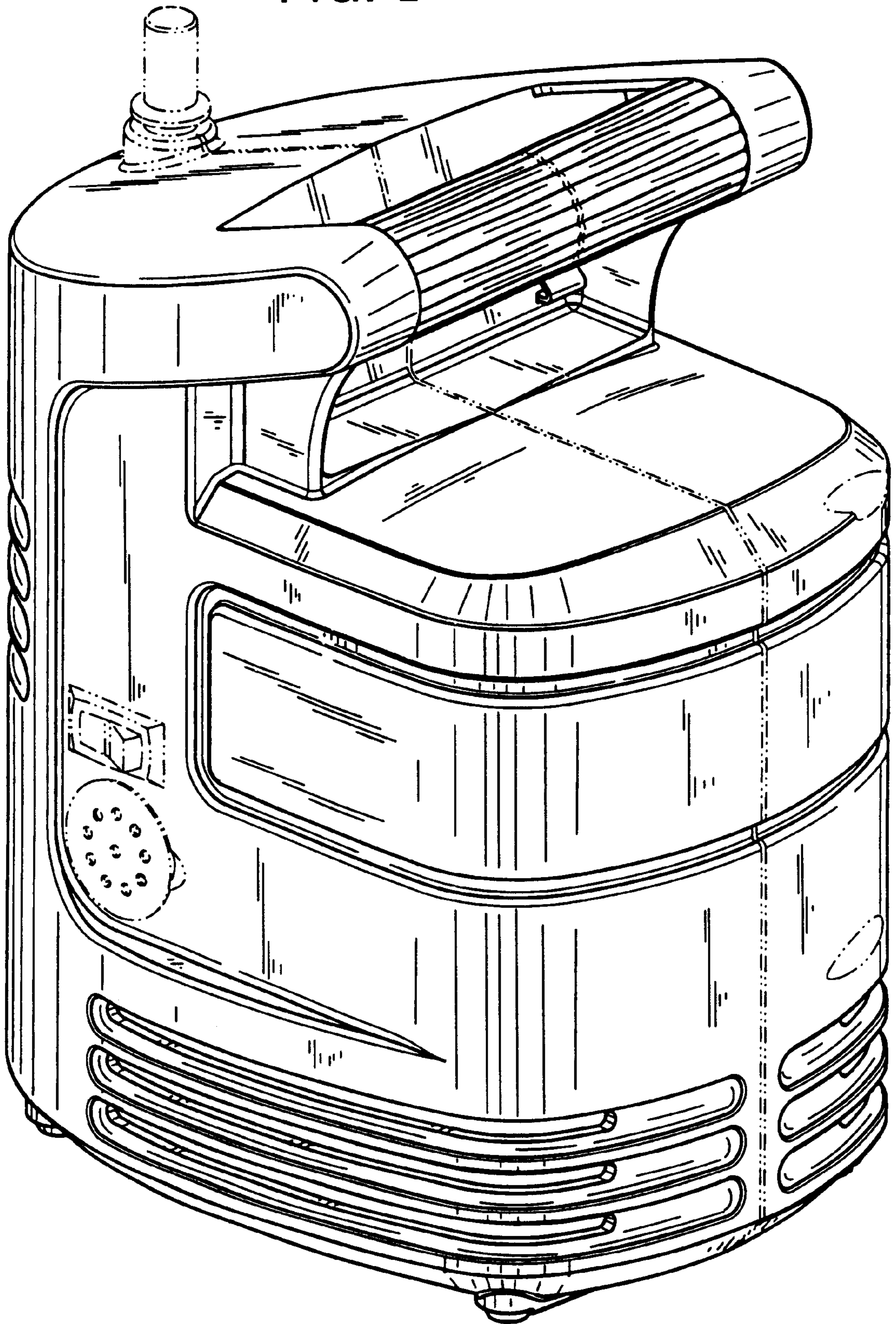


FIG. 3

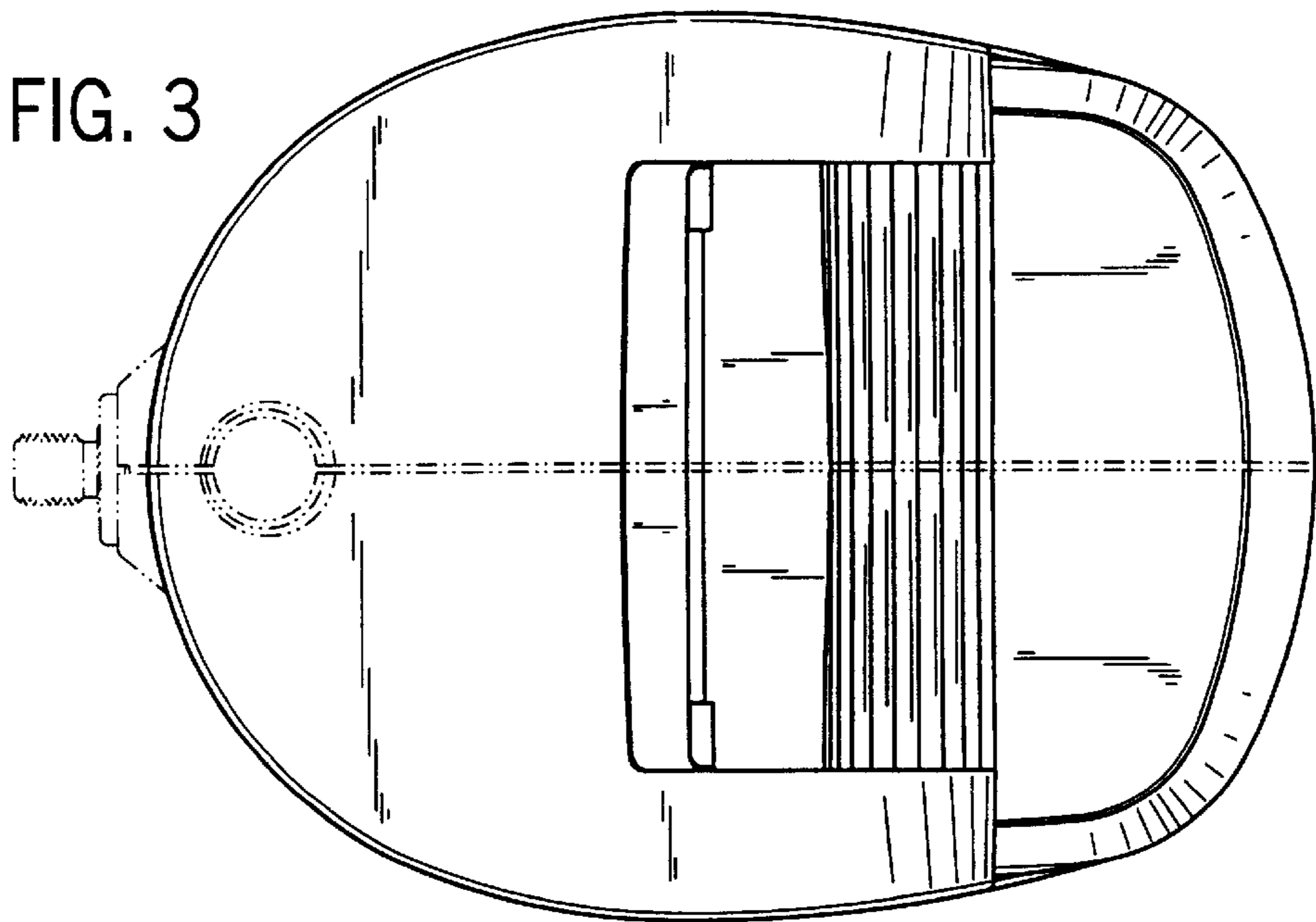


FIG. 2

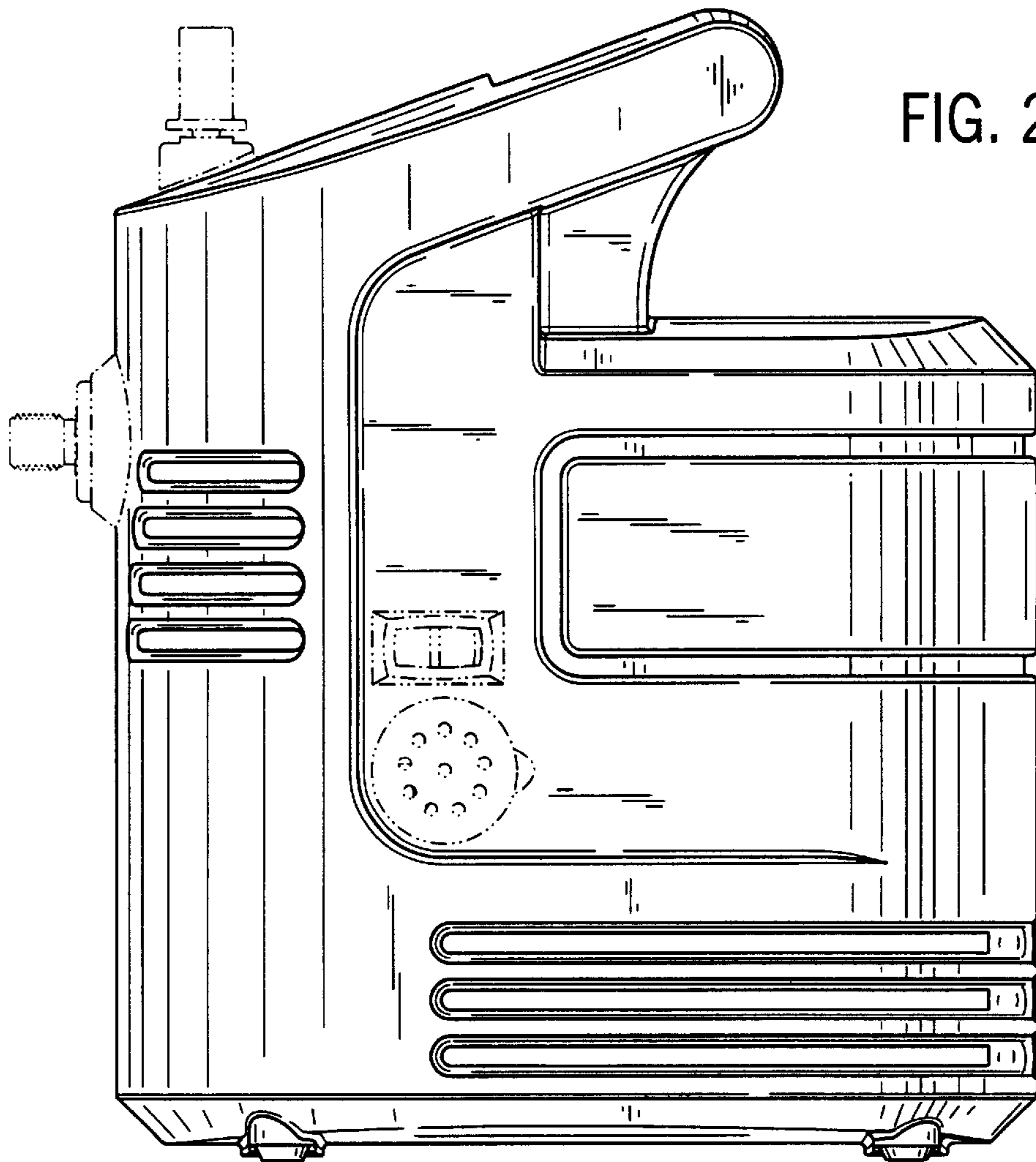


FIG. 7

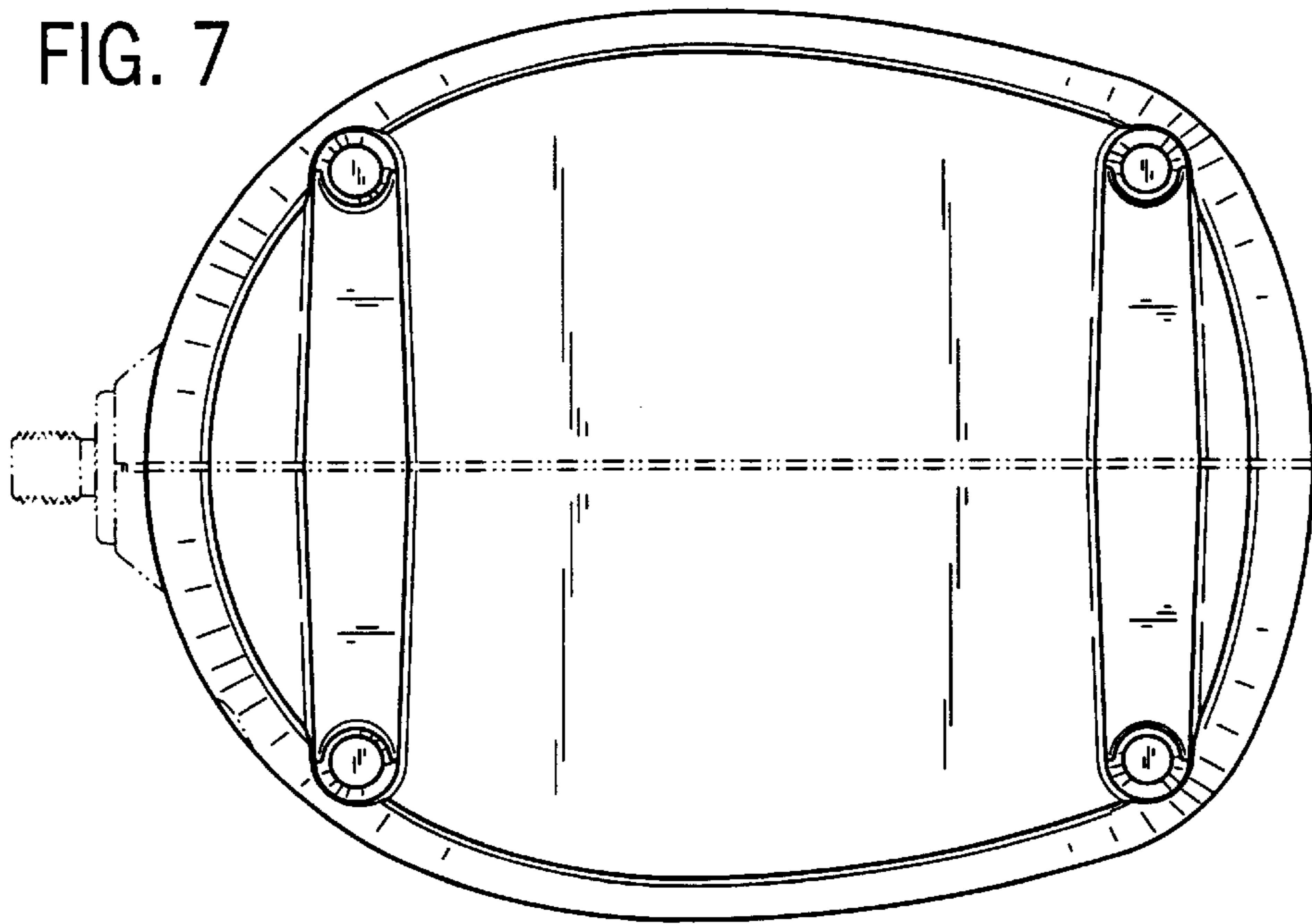


FIG. 4

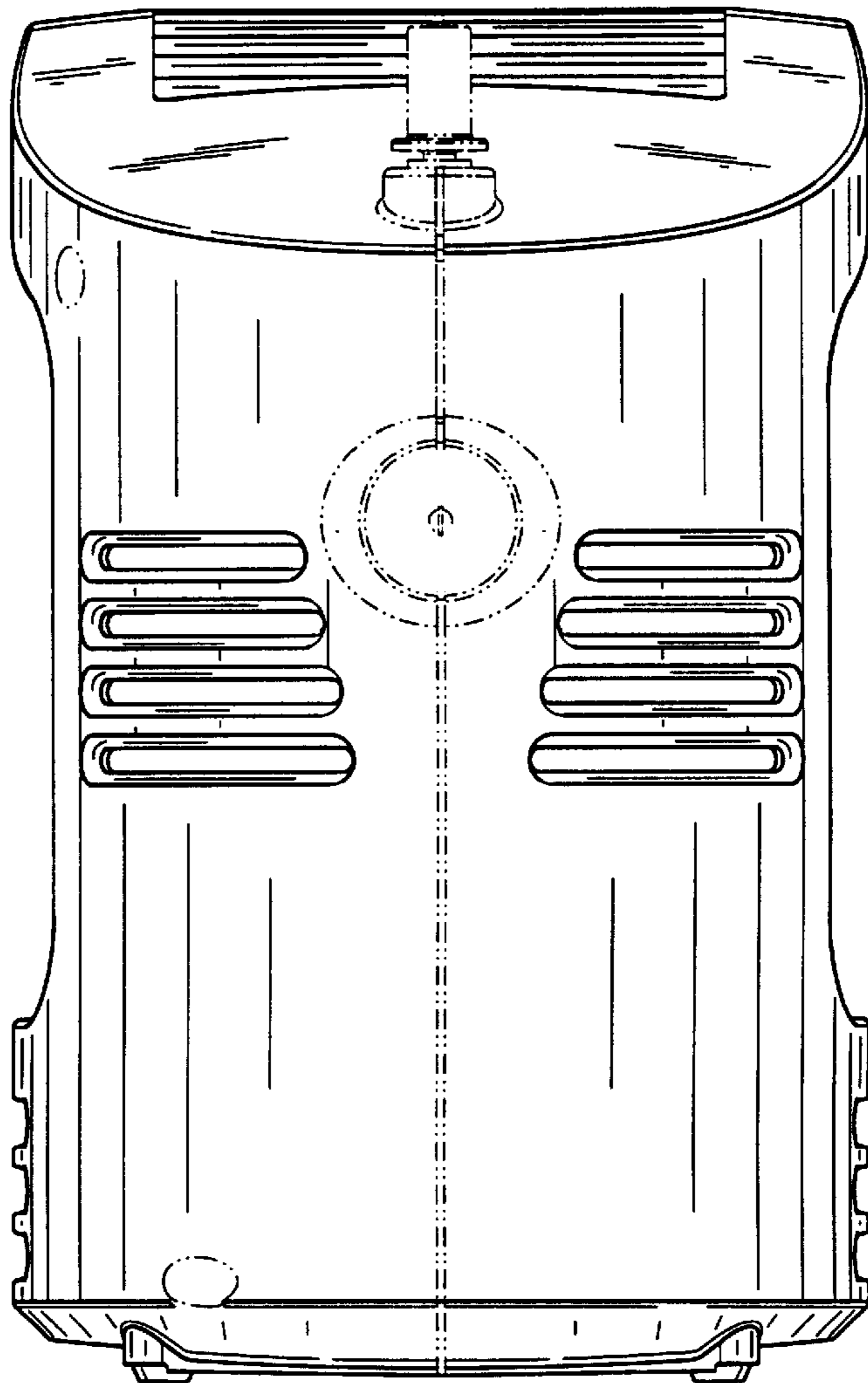


FIG. 5

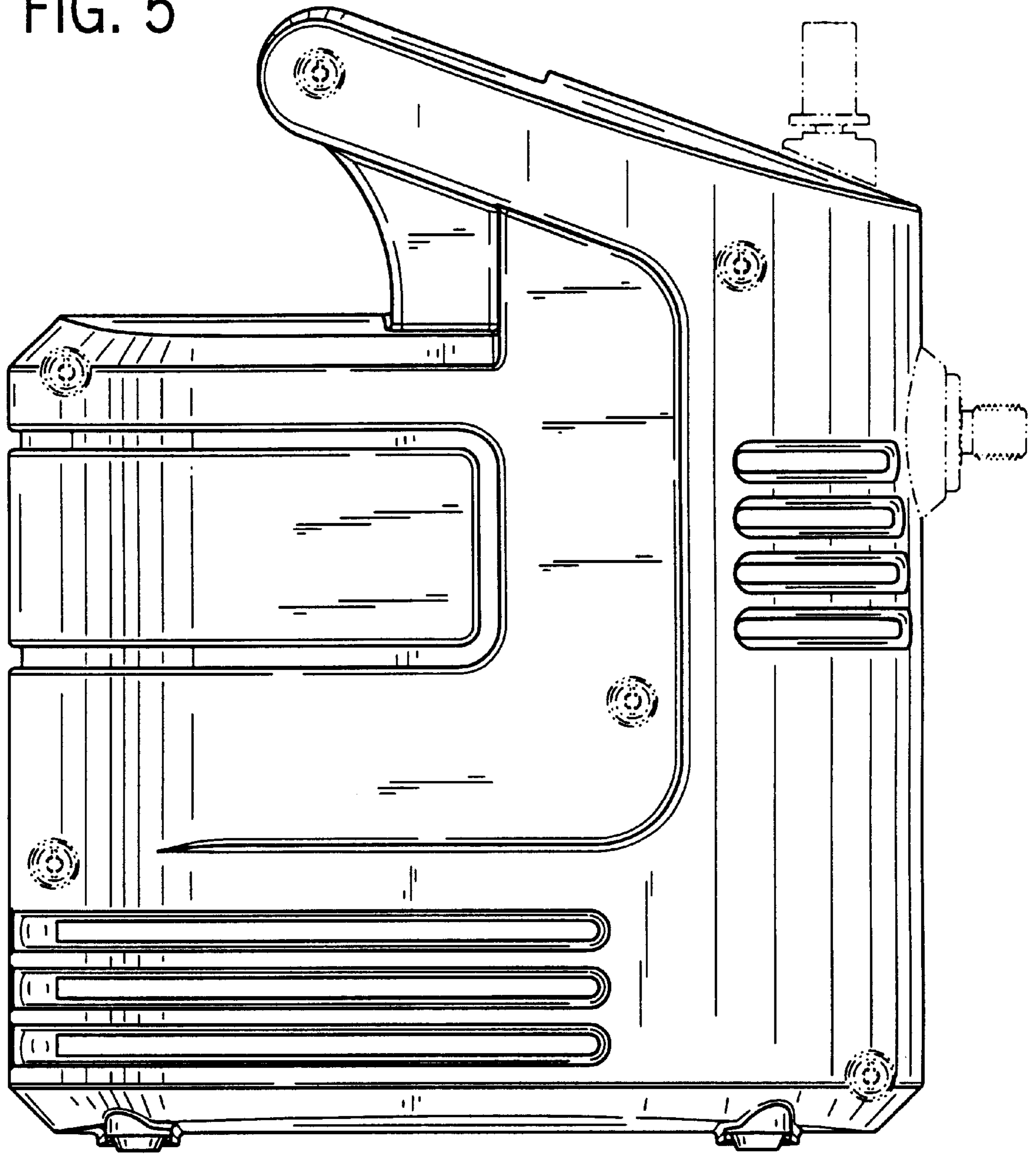


FIG. 6

