



US00D454882S

(12) **United States Design Patent**  
**Jung**

(10) **Patent No.:** **US D454,882 S**

(45) **Date of Patent:** **\*\* Mar. 26, 2002**

(54) **FRONT PANEL FOR DISPLAY**

D360,626 S \* 7/1995 MacMurtrie ..... D14/450  
D413,320 S \* 8/1999 Kelley et al. .... D14/450

(75) Inventor: **Jae Neung Jung**, Seoul (KR)

\* cited by examiner

(73) Assignee: **LG Electronics Inc.**, Seoul (KR)

*Primary Examiner*—Freda Nunn

(\*\*) Term: **14 Years**

(74) *Attorney, Agent, or Firm*—Birch, Stewart, Kolasch & Birch, LLP

(21) Appl. No.: **29/139,017**

(57) **CLAIM**

(22) Filed: **Mar. 23, 2001**

The ornamental design for front panel for display, as shown and described.

(51) **LOC (7) Cl.** ..... **14-02**

(52) **U.S. Cl.** ..... **D14/450**

(58) **Field of Search** ..... D14/371, 374,  
D14/450, 125-129; 345/104, 156, 168,  
173, 87; 38/180, 184, 325, 739; 248/917-924;  
341/12; 349/1, 2, 11, 62

**DESCRIPTION**

FIG. 1 is perspective view of the front panel for display;  
FIG. 2 is a front view thereof;  
FIG. 3 is a rear view thereof;  
FIG. 4 is a left side view thereof;  
FIG. 5 is a right side view thereof;  
FIG. 6 is a top plan view thereof; and,  
FIG. 7 is a bottom plan view thereof.

(56) **References Cited**

**U.S. PATENT DOCUMENTS**

D291,086 S \* 7/1987 Price ..... D14/450  
D338,884 S \* 8/1993 Toedter ..... D14/450

**1 Claim, 4 Drawing Sheets**

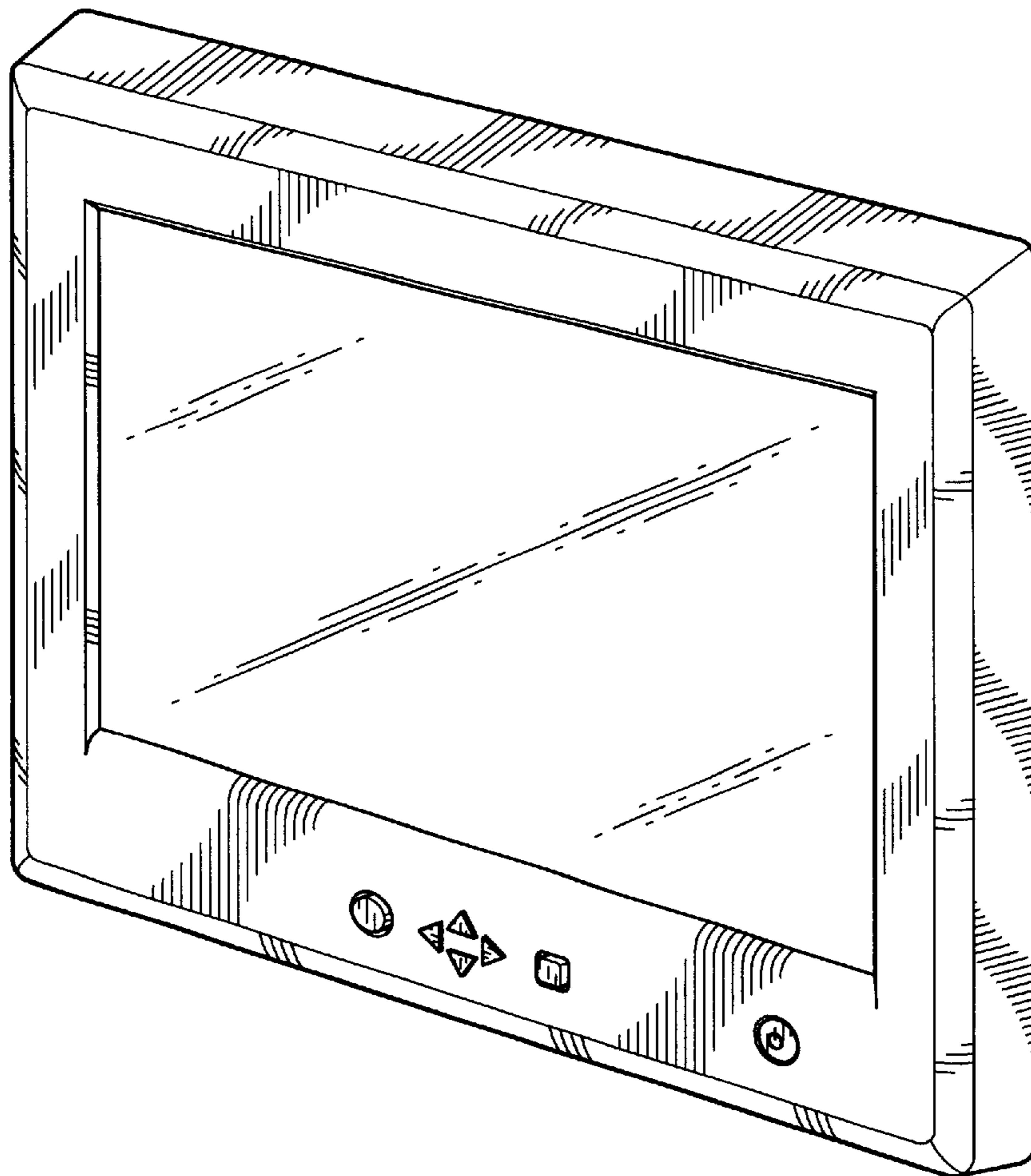


FIG. 1

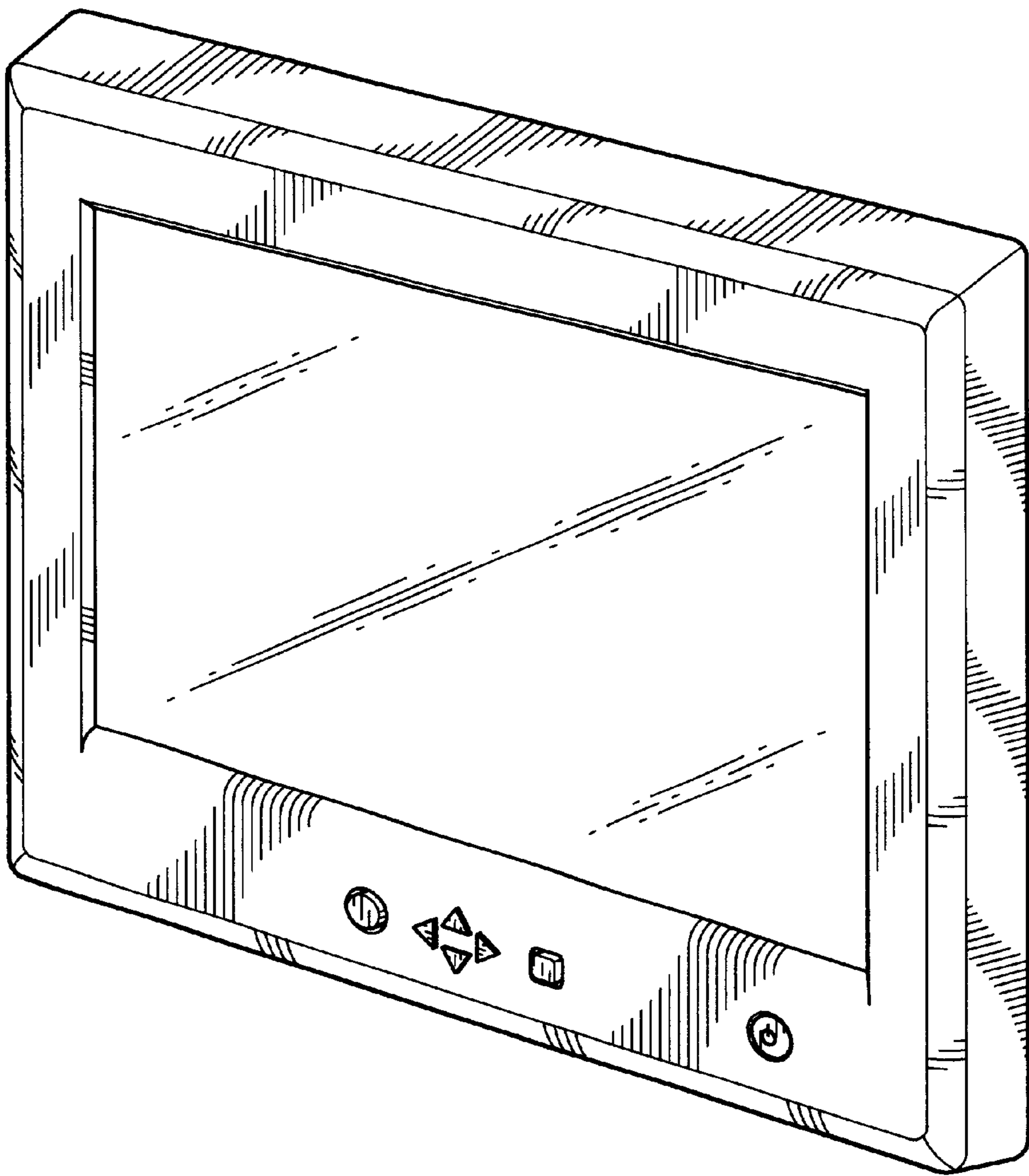


FIG. 2

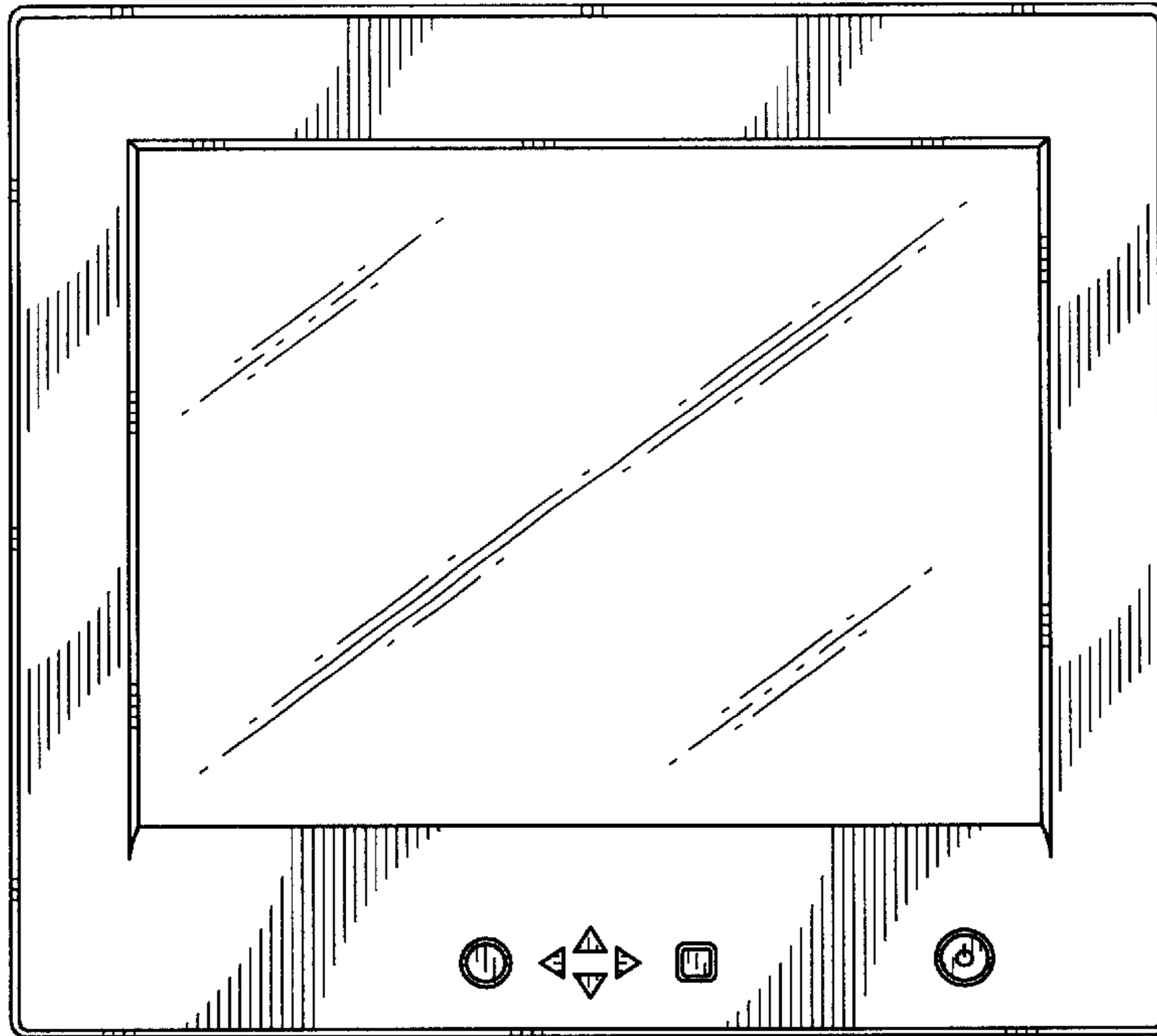


FIG. 3

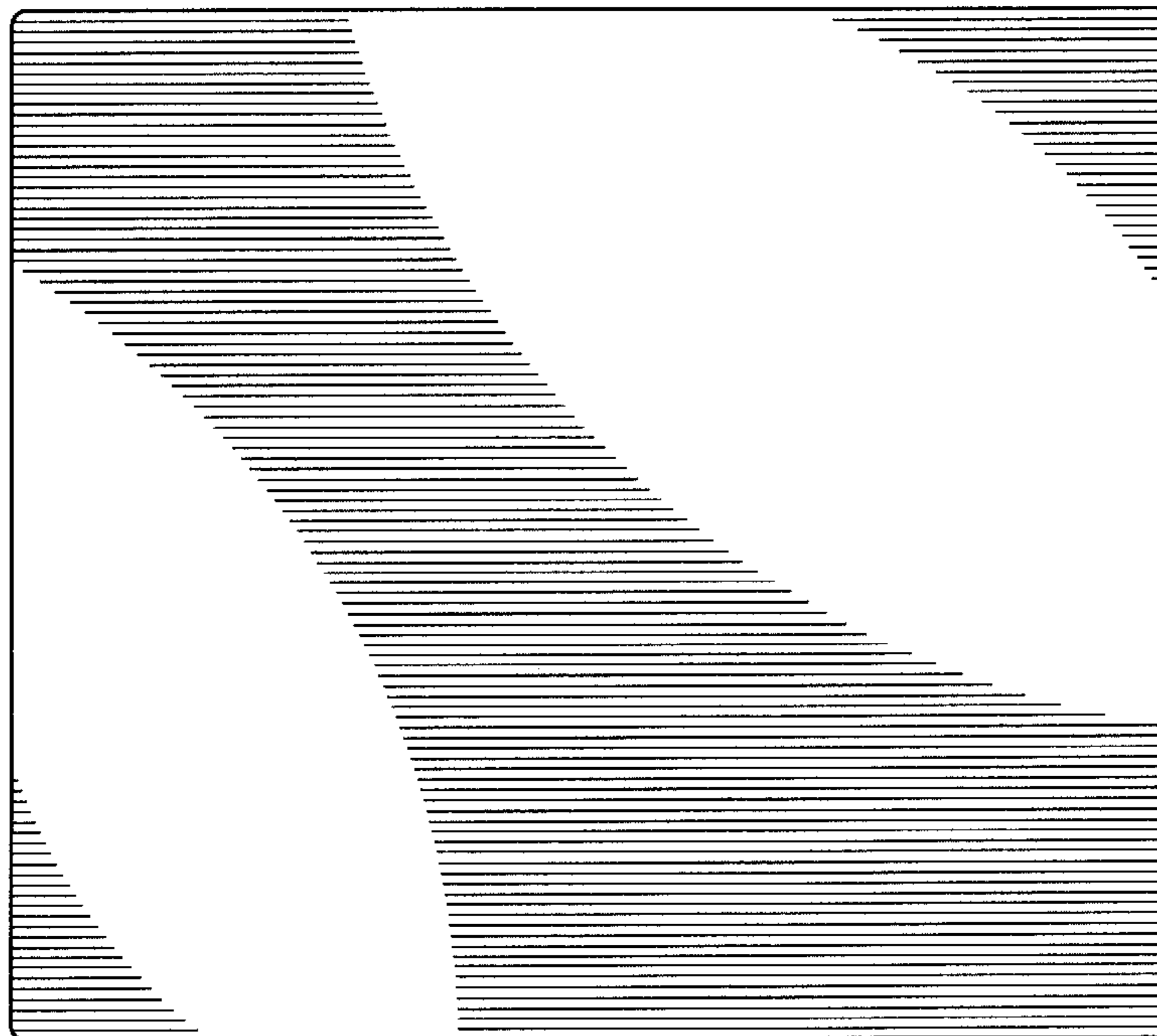


FIG. 4



FIG. 5

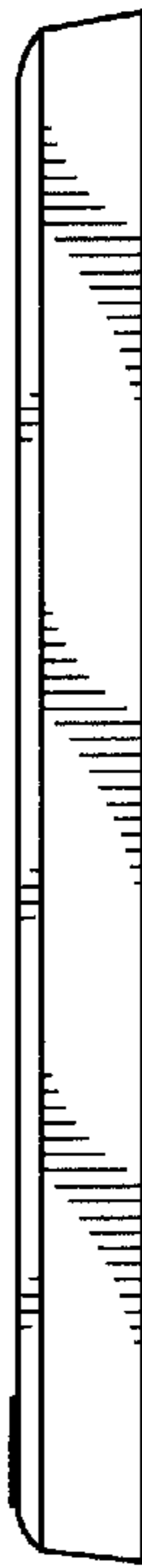


FIG. 6



FIG. 7

