

US00D454875S

(12) **United States Design Patent**  
**McDowell et al.**

(10) **Patent No.: US D454,875 S**

(45) **Date of Patent: \*\* Mar. 26, 2002**

(54) **SINGLE SMART CARD READER**

(75) Inventors: **Jennifer L. McDowell; Ronald W. McDowell**, both of Cordova, TN (US)

(73) Assignee: **Tyco Electronics Logistics AG**, Steinach (CH)

(\*\*) Term: **14 Years**

5,201,661 A	*	4/1993	Il	.....	439/79
5,231,274 A		7/1993	Reynier et al.		
5,269,707 A		12/1993	Reichardt et al.		
5,370,544 A		12/1994	Reichardt et al.		
5,470,260 A		11/1995	Schwan et al.		
5,474,468 A	*	12/1995	Chishima et al.	.....	439/495
5,520,551 A		5/1996	Broschard, III		
5,554,840 A		9/1996	Saroya		
5,586,890 A		12/1996	Braun		

(List continued on next page.)

(21) Appl. No.: **29/116,222**

(22) Filed: **Dec. 29, 1999**

(51) **LOC (7) Cl.** ..... **14-02**

(52) **U.S. Cl.** ..... **D14/385**

(58) **Field of Search** ..... D14/367, 385;  
D13/133; 235/440, 441, 449, 492; 361/790;  
439/55, 60, 64, 79, 180, 260, 326, 489,  
495, 377, 630

(56) **References Cited**

**U.S. PATENT DOCUMENTS**

3,246,279 A	*	4/1966	Storcel	.....	439/377
4,548,452 A		10/1985	Gillette		
4,675,516 A		6/1987	Guion		
4,695,117 A		9/1987	Kysiak		
4,752,234 A		6/1988	Reichardt et al.		
4,780,603 A		10/1988	Hamada		
4,806,103 A		2/1989	Kniese et al.		
4,818,239 A	*	4/1989	Erk	.....	439/55
4,820,186 A		4/1989	Fujii		
4,843,223 A		6/1989	Shino		
4,887,188 A		12/1989	Yoshida et al.		
4,900,272 A		2/1990	Lange et al.		
4,900,273 A		2/1990	Pernet		
4,904,852 A		2/1990	Mita et al.		
4,931,991 A		6/1990	Cvijanovich		
4,932,885 A		6/1990	Scholz		
4,990,758 A	*	2/1991	Shibano et al.	.....	235/449
5,013,255 A		5/1991	Juret et al.		
5,091,618 A		2/1992	Takahaski		
5,161,992 A		11/1992	Birch		
5,169,345 A		12/1992	Pernet		
5,176,523 A		1/1993	Lai		

**FOREIGN PATENT DOCUMENTS**

DE	196 30 958 A1	2/1998
EP	0 617 488 A1	9/1994
EP	0 849 842 A2	6/1998
EP	0 896 289 A2	2/1999
EP	0 924 927 A2	6/1999
FR	97 11439	3/1998
GB	2 329 532	3/1999
WO	WO 96/30866	10/1996
WO	WO 98/04994	2/1998
WO	WO 98/22902	5/1998
WO	WO 98/24045	6/1998
WO	WO 98/27507	6/1998
WO	WO 98/28821	7/1998
WO	WO 98/28823	7/1998
WO	WO 98/38592	7/1998
WO	WO 98/43199	10/1998
WO	WO 98/57290	12/1998

*Primary Examiner*—Freda Nunn

(74) *Attorney, Agent, or Firm*—Hoffmann & Baron, LLP

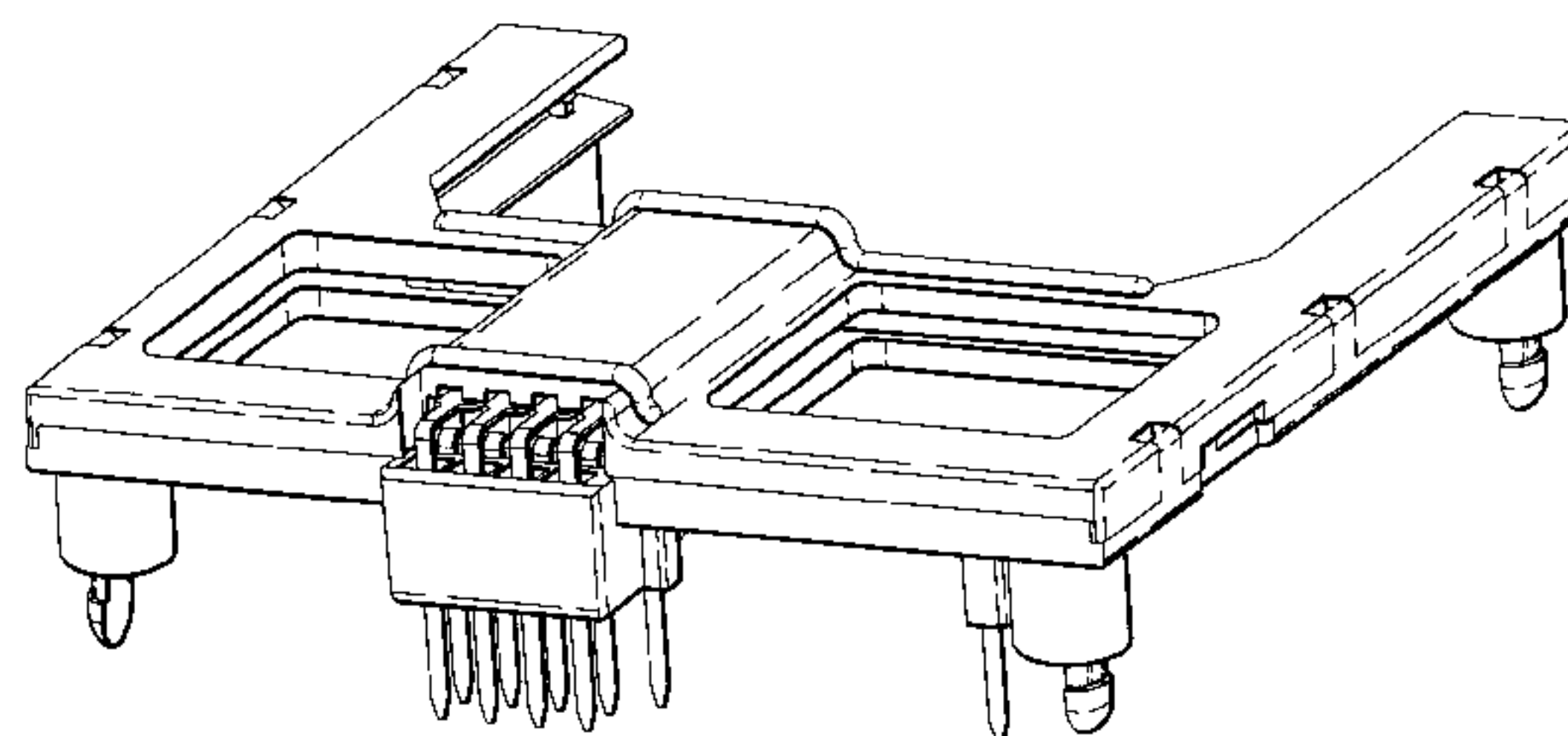
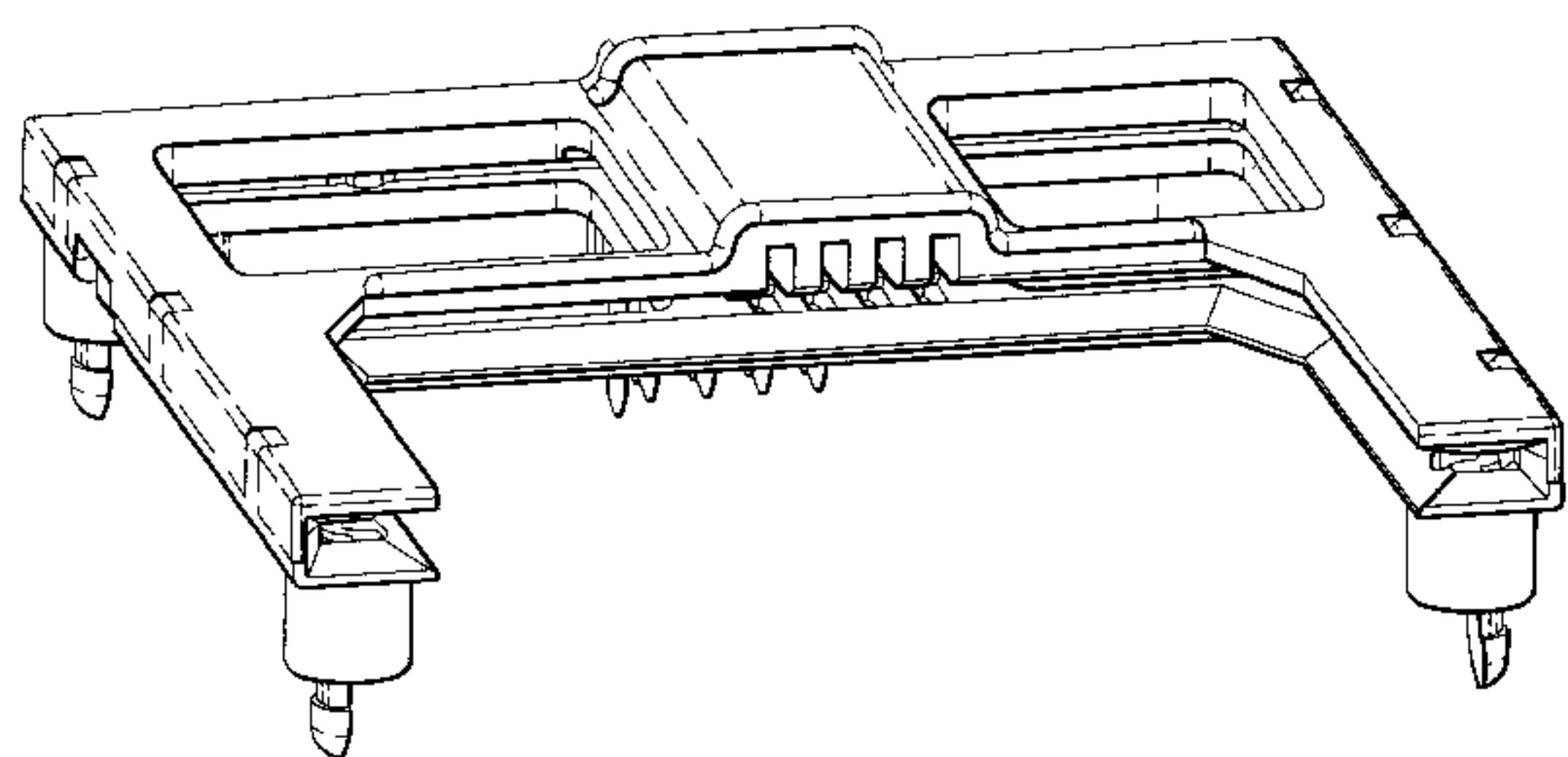
(57) **CLAIM**

The ornamental design for a single smart card reader, substantially as shown and described.

**DESCRIPTION**

FIG. 1 is a top and front perspective view of a single smart card reader showing our design;  
FIG. 2 is a bottom perspective view thereof; and,  
FIG. 3 is a rear perspective view thereof.

**1 Claim, 3 Drawing Sheets**



# US D454,875 S

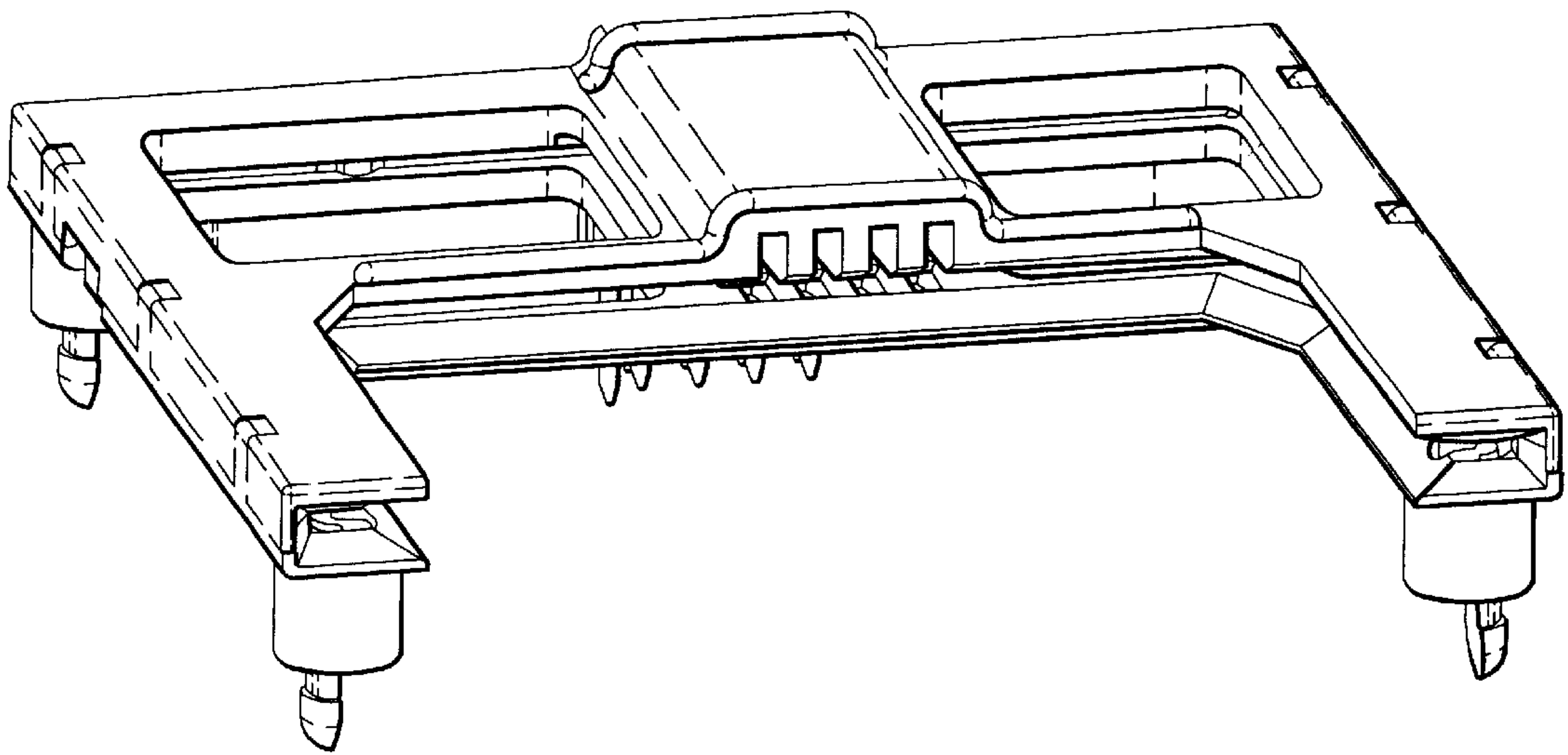
Page 2

---

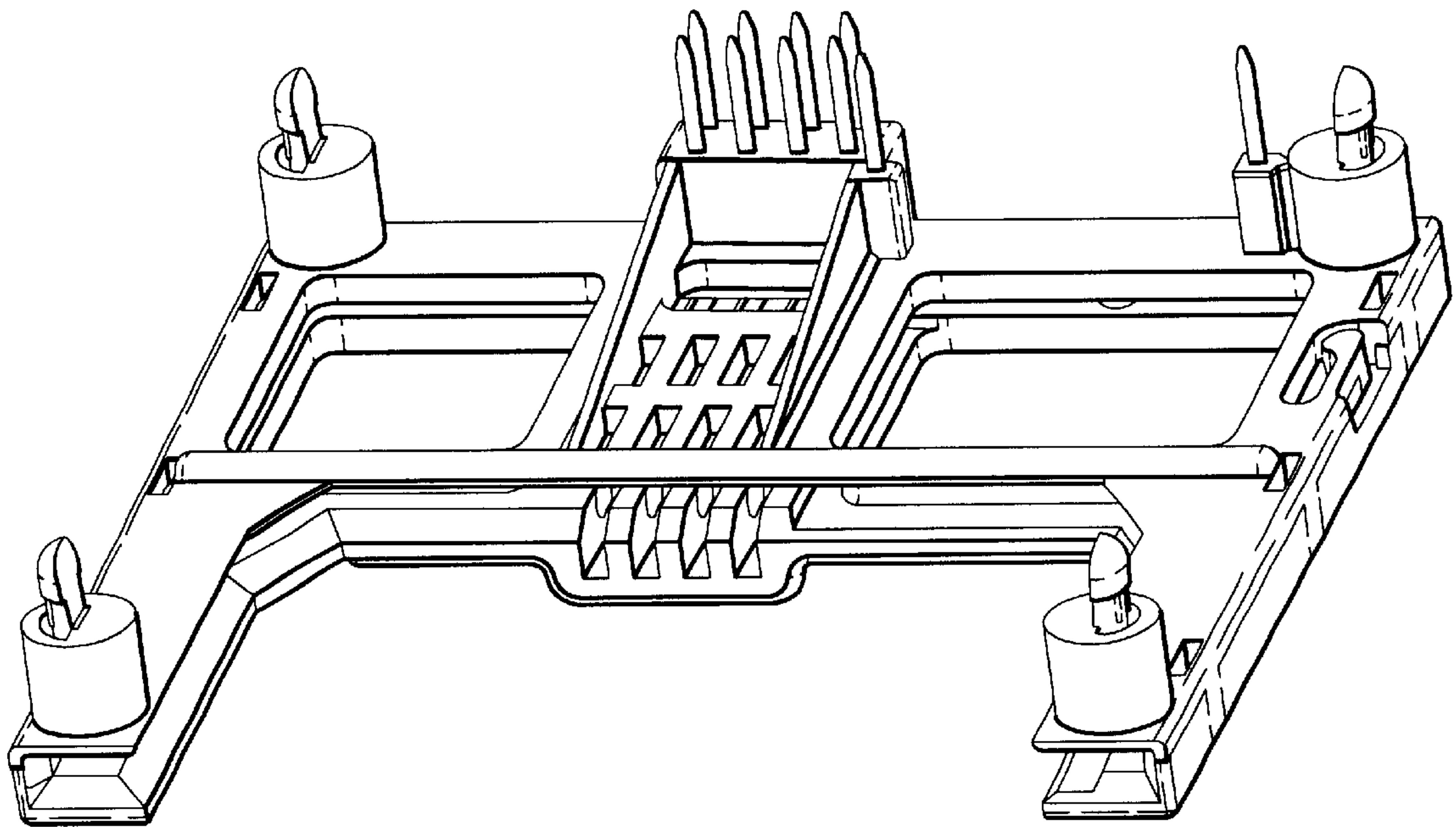
## U.S. PATENT DOCUMENTS

5,594,621 A	1/1997	van Rumpt	5,775,929 A	7/1998	Hashiguchi	
5,599,203 A	2/1997	Broschard, III	5,775,937 A	7/1998	Brischaud et al.	
5,603,629 A	2/1997	DeFrasne et al.	5,780,827 A *	7/1998	Zolkos et al. ....	235/441
5,627,416 A	5/1997	Kantner	5,830,008 A	11/1998	Broschard, III	
5,640,307 A	6/1997	Bleier et al.	5,839,913 A	11/1998	Fumikura	
5,641,295 A	6/1997	Koyama	5,848,920 A	12/1998	Klein et al.	
5,653,610 A	8/1997	Broschard, III	5,883,372 A *	3/1999	Kim .....	235/441
5,667,397 A	9/1997	Broschard, III et al.	5,892,216 A *	4/1999	Grant et al. ....	235/492
5,667,408 A	9/1997	Broschard, III et al.	5,901,049 A	5/1999	Schmidt et al.	
5,674,080 A	10/1997	Takemura	5,928,036 A	7/1999	Thrush	
5,677,830 A	10/1997	Nogas et al.	5,936,222 A	8/1999	Korsunsky et al.	
5,713,747 A	2/1998	Hsia et al.	5,984,183 A *	11/1999	Moriya .....	235/440
5,715,141 A	2/1998	Karlsson				

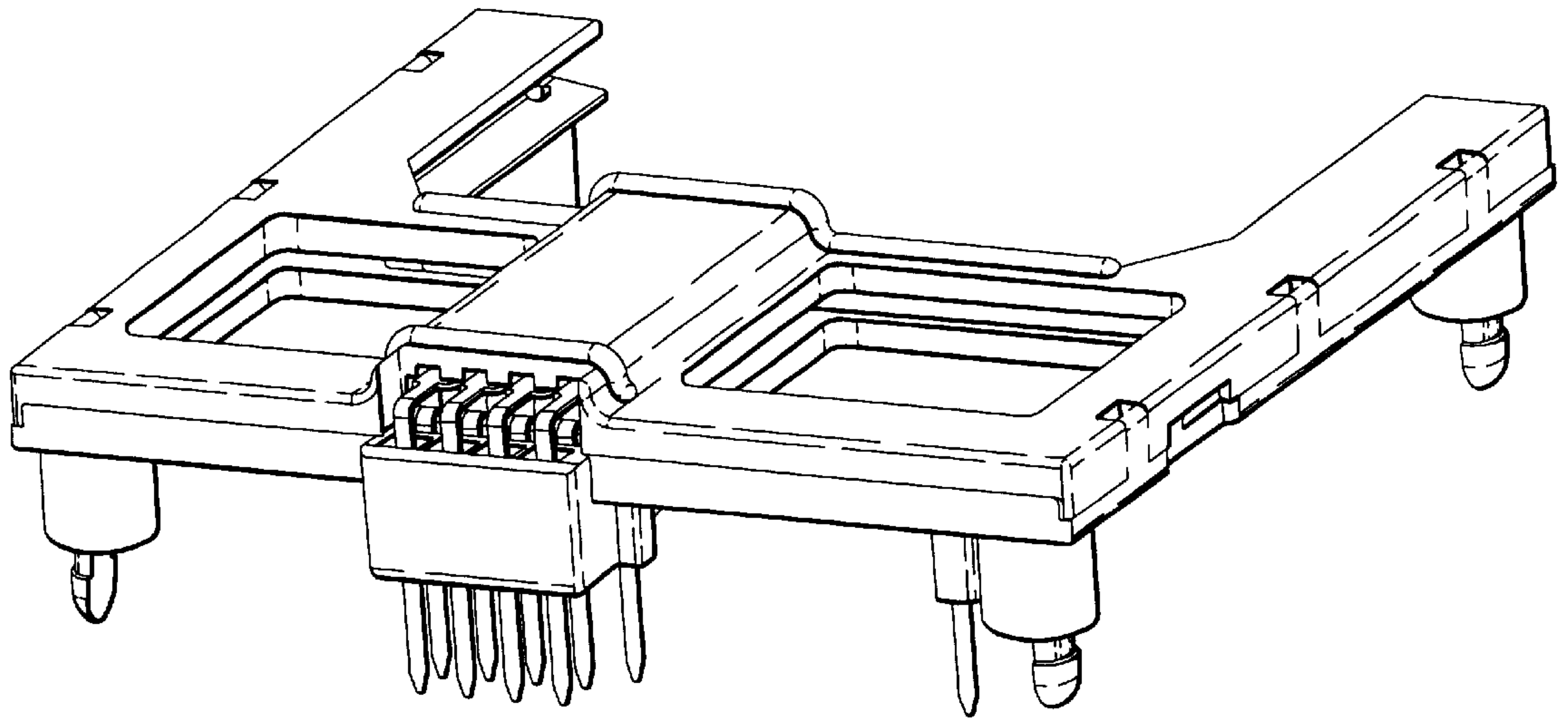
\* cited by examiner



**FIG 1**



**FIG 2**



**FIG 3**