



US00D454872S

(12) **United States Design Patent**
Tanaka

(10) **Patent No.:** **US D454,872 S**

(45) **Date of Patent:** **** Mar. 26, 2002**

(54) **OPERATION CONTROLLER FOR ELECTRONIC COMPUTERS**

D434,035 S * 11/2000 Jean et al. D14/349

FOREIGN PATENT DOCUMENTS

(75) **Inventor:** **Keita Tanaka, Tokyo (JP)**

TW 310183 7/1997

(73) **Assignee:** **Kabushiki Kaisha Toshiba, Kawasaki (JP)**

OTHER PUBLICATIONS

(**) **Term:** **14 Years**

Icom Kabushiki Kaisha, dated Feb. 2000.
Kabushiki Kaisha Owltec, dated Apr. 1999.
Gateway 2000 Product Guide, G6 Workstation, p. 14, dated Mar. 1996.

(21) **Appl. No.:** **29/137,881**

(22) **Filed:** **Mar. 2, 2001**

* cited by examiner

(30) **Foreign Application Priority Data**

Sep. 4, 2000 (JP) 2000-024637

Primary Examiner—Freda Nunn

(74) *Attorney, Agent, or Firm*—Banner & Witcoff, Ltd.

(51) **LOC (7) Cl.** **14-02**

(57) **CLAIM**

(52) **U.S. Cl.** **D14/349**

The ornamental design for an operation controller for electronic computers, as shown and described.

(58) **Field of Search** D14/349, 350,
D14/356, 363, 388, 368; D13/162, 184,
199; D6/432, 436, 445, 448; 312/223.1–223.3;
360/99.01–99.12; 361/690–696; 369/34,
36; 358/496

DESCRIPTION

(56) **References Cited**

U.S. PATENT DOCUMENTS

D349,890 S * 8/1994 Kabumoto D14/368
D381,327 S 7/1997 Su
D410,641 S 6/1999 Fu
D410,642 S 6/1999 Fu
D427,162 S * 6/2000 Nagase D14/388
D433,681 S * 11/2000 Jean et al. D14/349

FIG. 1 is a top, front and right side perspective view of an operation controller for electronic computers showing my new design,
FIG. 2 is a front elevational view thereof,
FIG. 3 is a top plan view thereof,
FIG. 4 is a bottom plan view thereof, and
FIG. 5 is a right side elevational view, a left side elevational view being a mirror image; and,
FIG. 6 is a rear elevational view thereof.

1 Claim, 3 Drawing Sheets

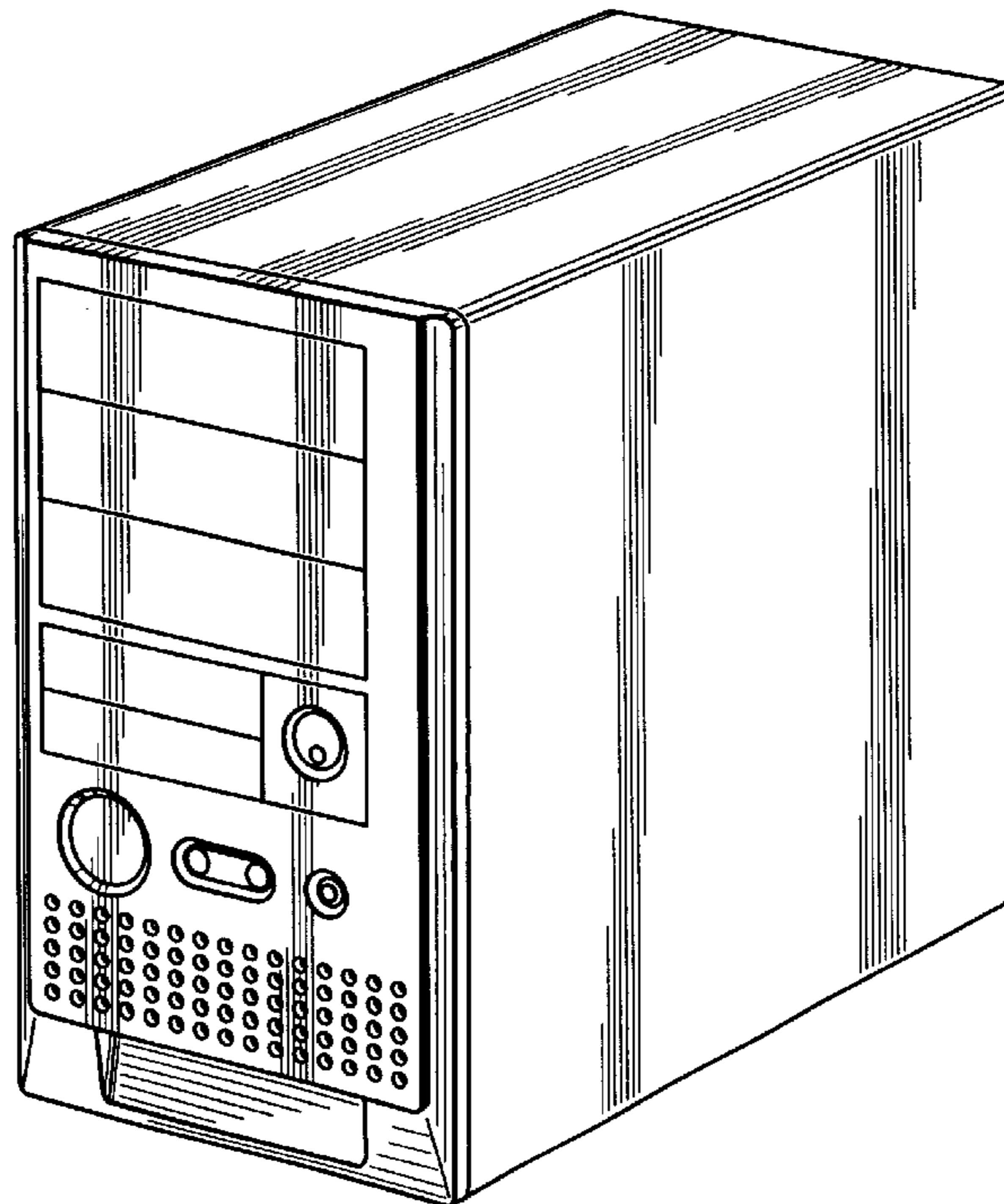


FIG. 1

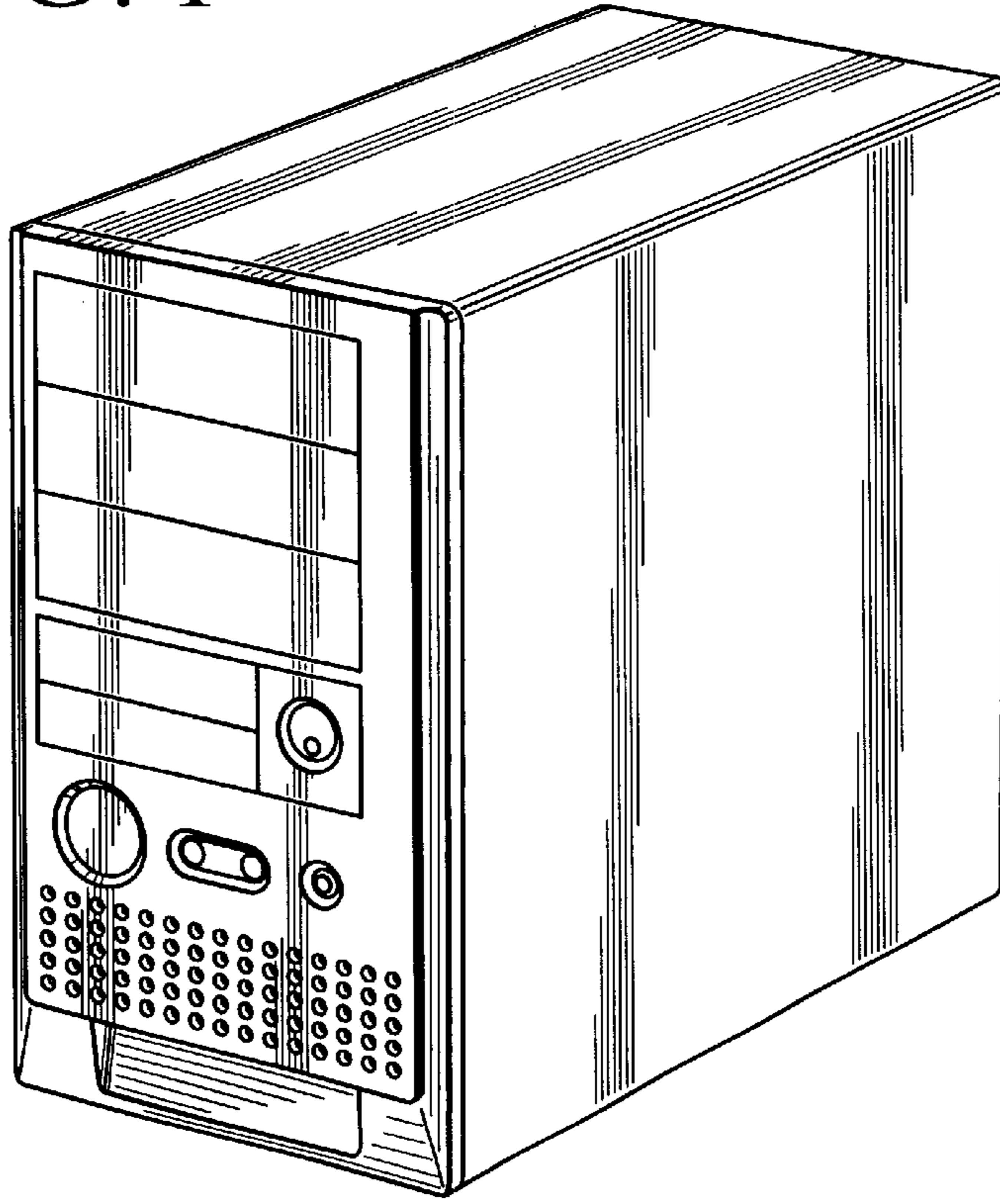


FIG. 2

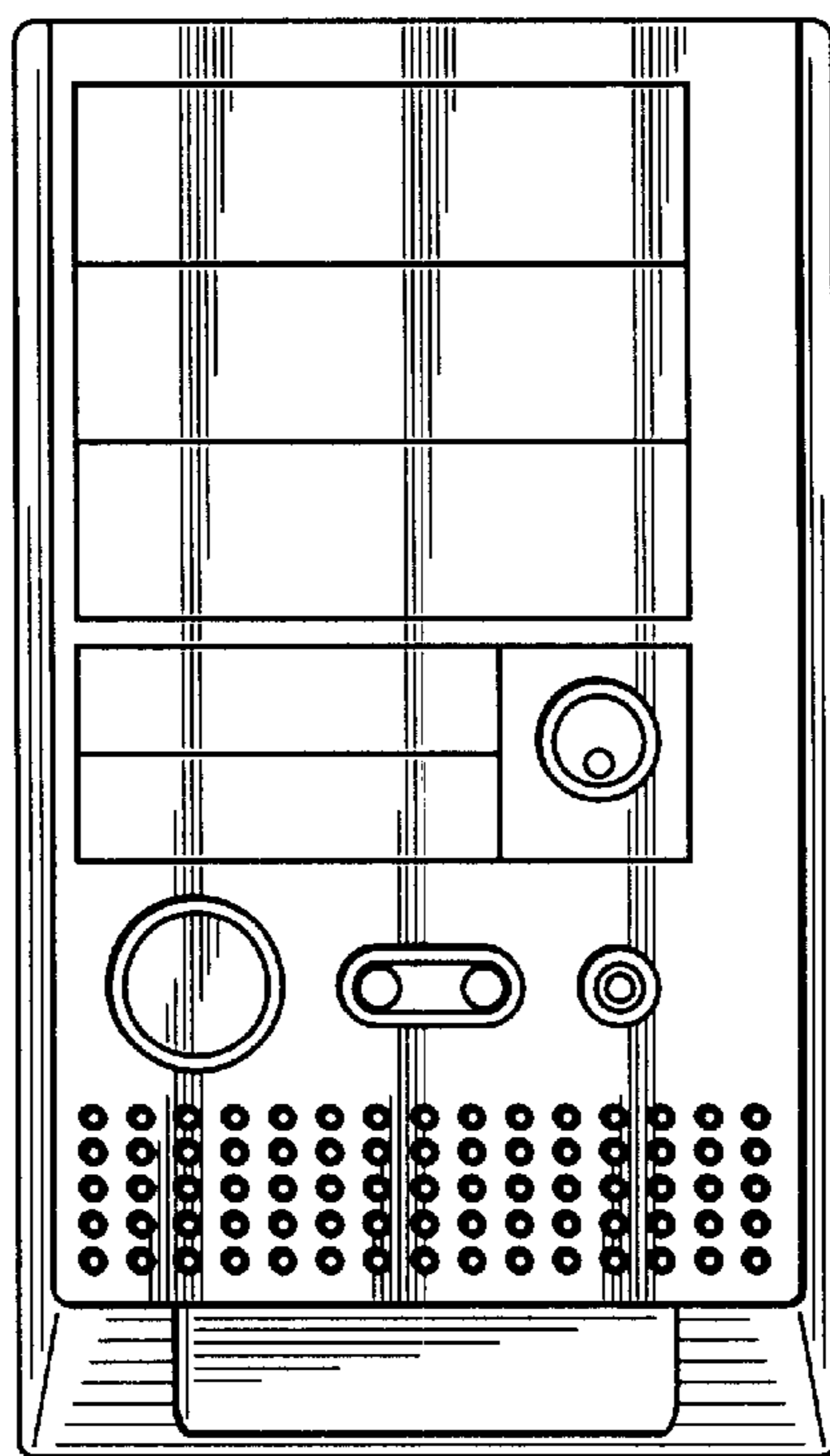


FIG. 3

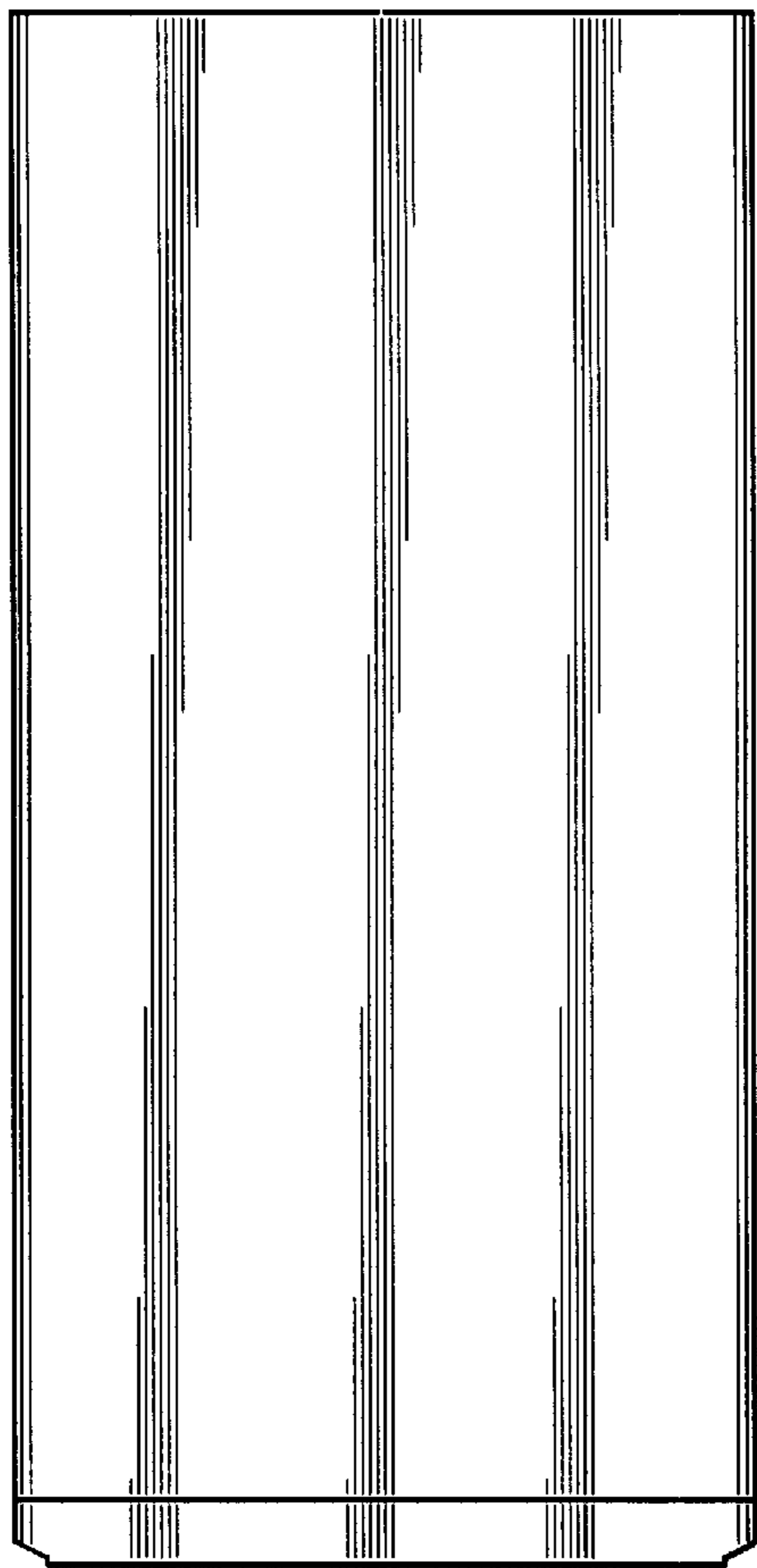


FIG. 4

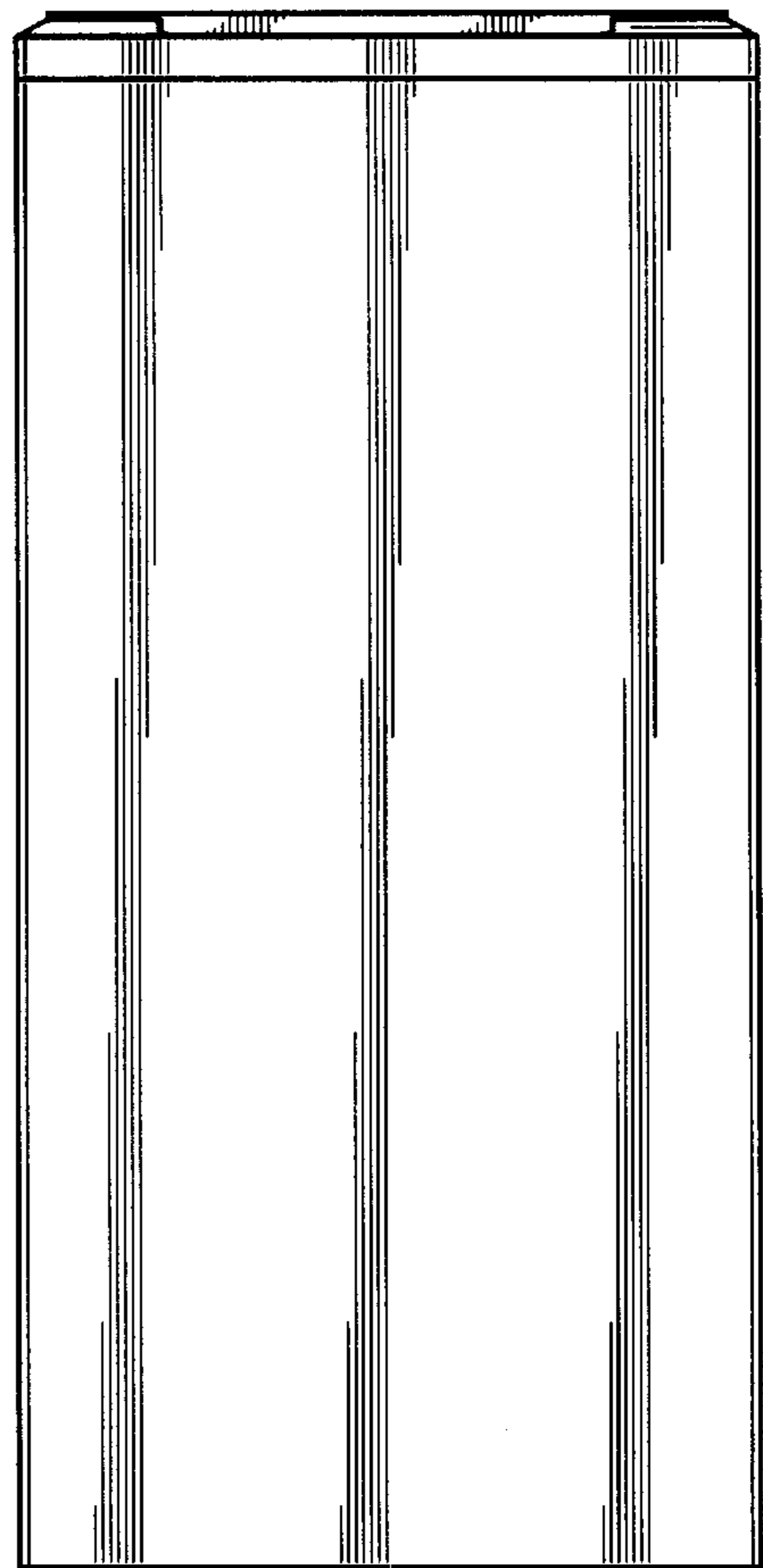


FIG. 5

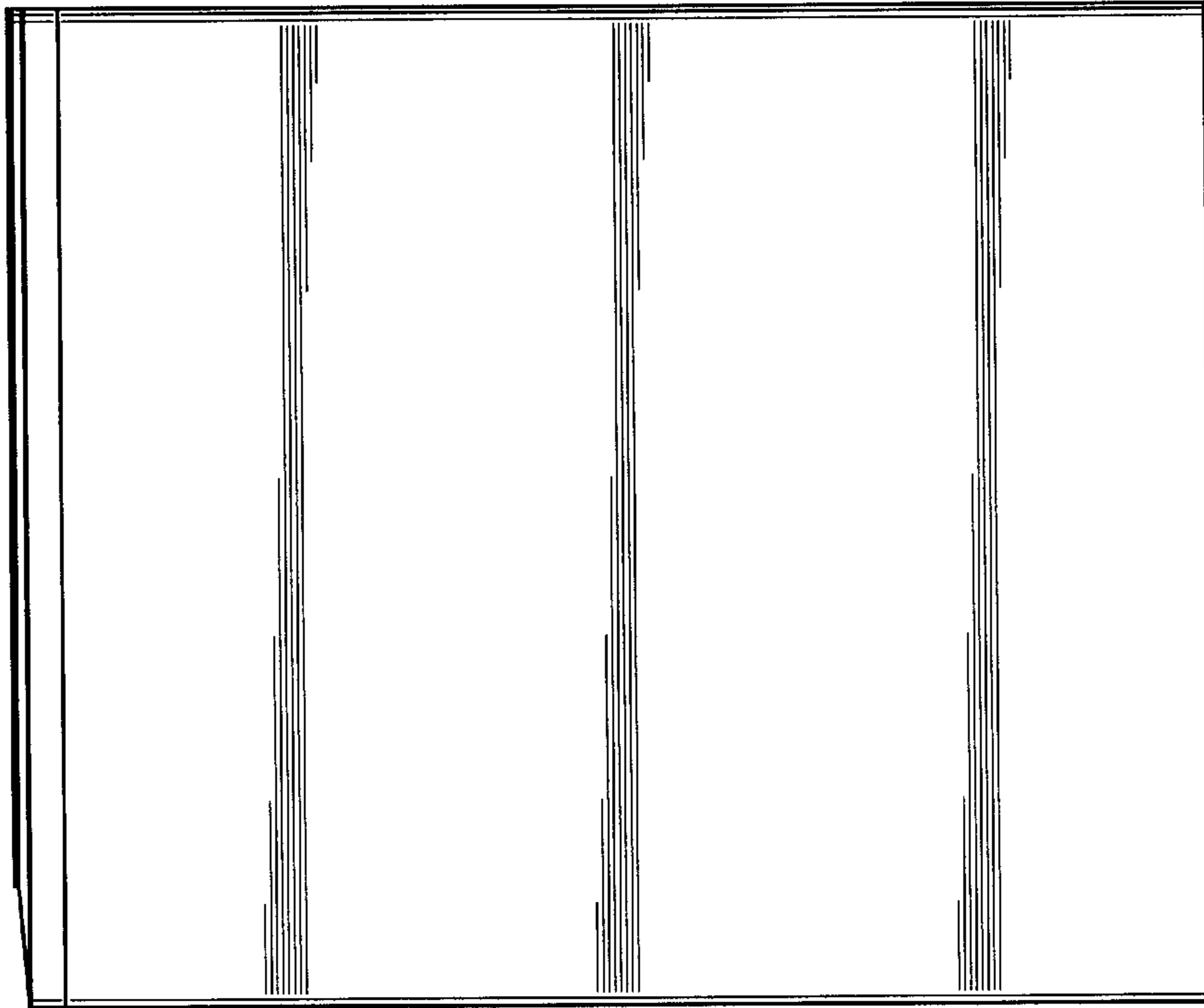


FIG. 6

