



US00D454871S

(12) **United States Design Patent**
Perez

(10) **Patent No.:** **US D454,871 S**
(45) **Date of Patent:** **** Mar. 26, 2002**

- (54) **WEBSITE DIRECTORY DEVICE**
- (76) Inventor: **Kimm M Perez**, 15613 Aiken Dr.,
Houston, TX (US) 77032
- (**) Term: **14 Years**
- (21) Appl. No.: **29/137,264**
- (22) Filed: **Feb. 16, 2001**
- (51) **LOC (7) Cl.** **14-02**
- (52) **U.S. Cl.** **D14/345**
- (58) **Field of Search** D14/341-345,
D14/315, 323, 322, 336; D18/1, 2, 7; 235/145 A,
145 R; 341/22, 23; 345/104, 156, 168,
169, 173; 361/680-686; 400/486, 489;
708/109, 105; 709/200, 218

- 5,572,643 A * 11/1996 Judson 709/218
- 5,717,938 A 2/1998 Garthwaite et al.
- 5,847,698 A 12/1998 Reavey et al.
- D408,050 S 4/1999 Takahata et al.
- 5,897,324 A 4/1999 Tan
- 5,898,600 A * 4/1999 Isahi 708/105
- 5,964,830 A * 10/1999 Durrett 709/200
- D417,201 S * 11/1999 Davis D14/343
- D430,871 S * 9/2000 Chu et al. D14/345
- D432,124 S * 10/2000 Pardike et al. D14/336

* cited by examiner

Primary Examiner—Freda Nunn

(57) **CLAIM**

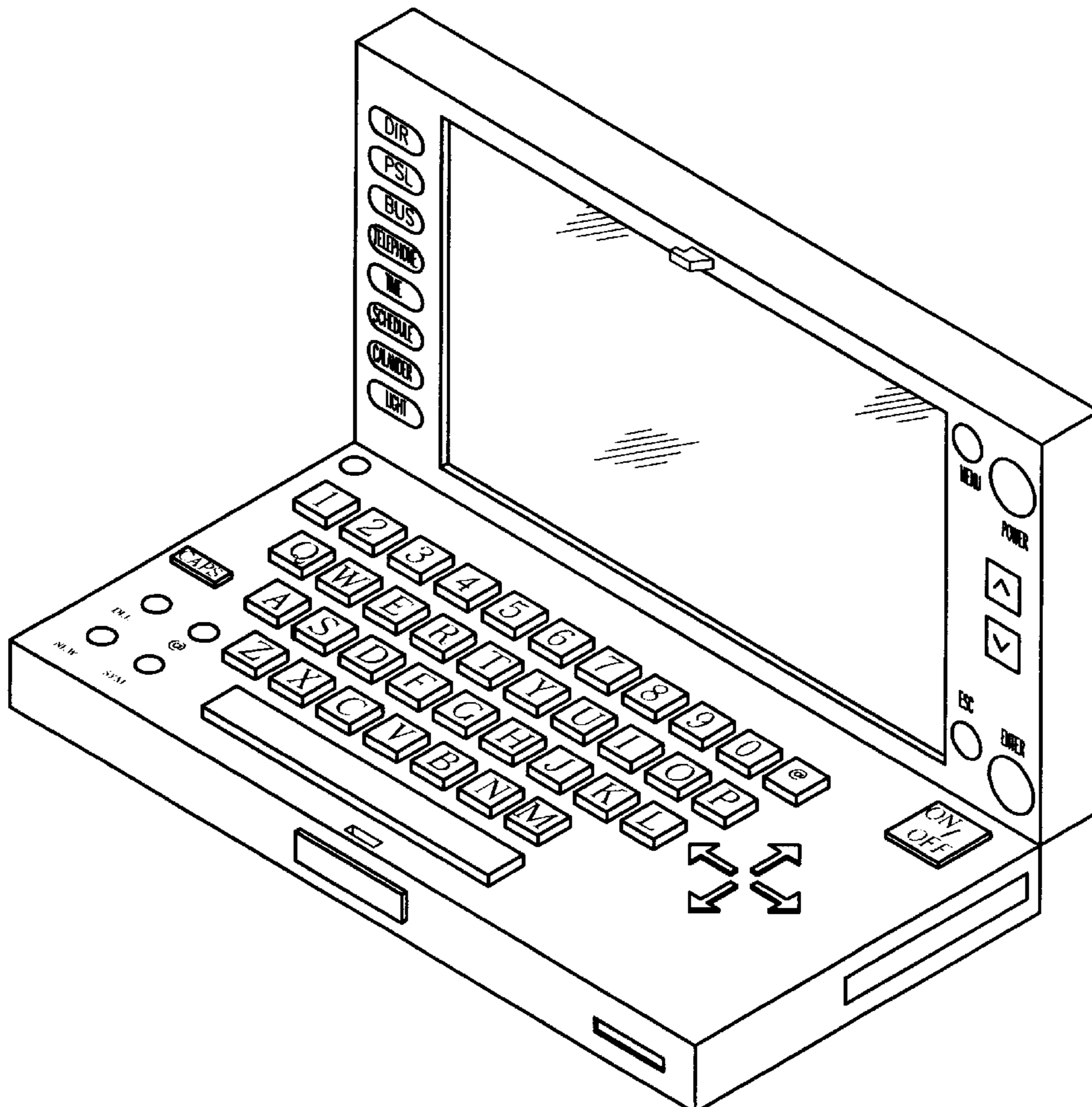
The ornamental design for a website directory device, as shown and deccribed.

DESCRIPTION

FIG. 1 is a top, front, right side perspective view of the website directory devcie of the present invention; and, FIG. 2 is a bottom, rear, left side perspective view of the website directory device of FIG. 1.

- (56) **References Cited**
- U.S. PATENT DOCUMENTS**
- 4,117,542 A * 9/1978 Klausner et al. 708/109
- 4,159,417 A 6/1979 Rubincam
- D348,437 S * 7/1994 Chan D14/345
- 5,339,091 A 8/1994 Yamazaki et al.
- D357,230 S * 4/1995 Wahl D14/345

1 Claim, 2 Drawing Sheets



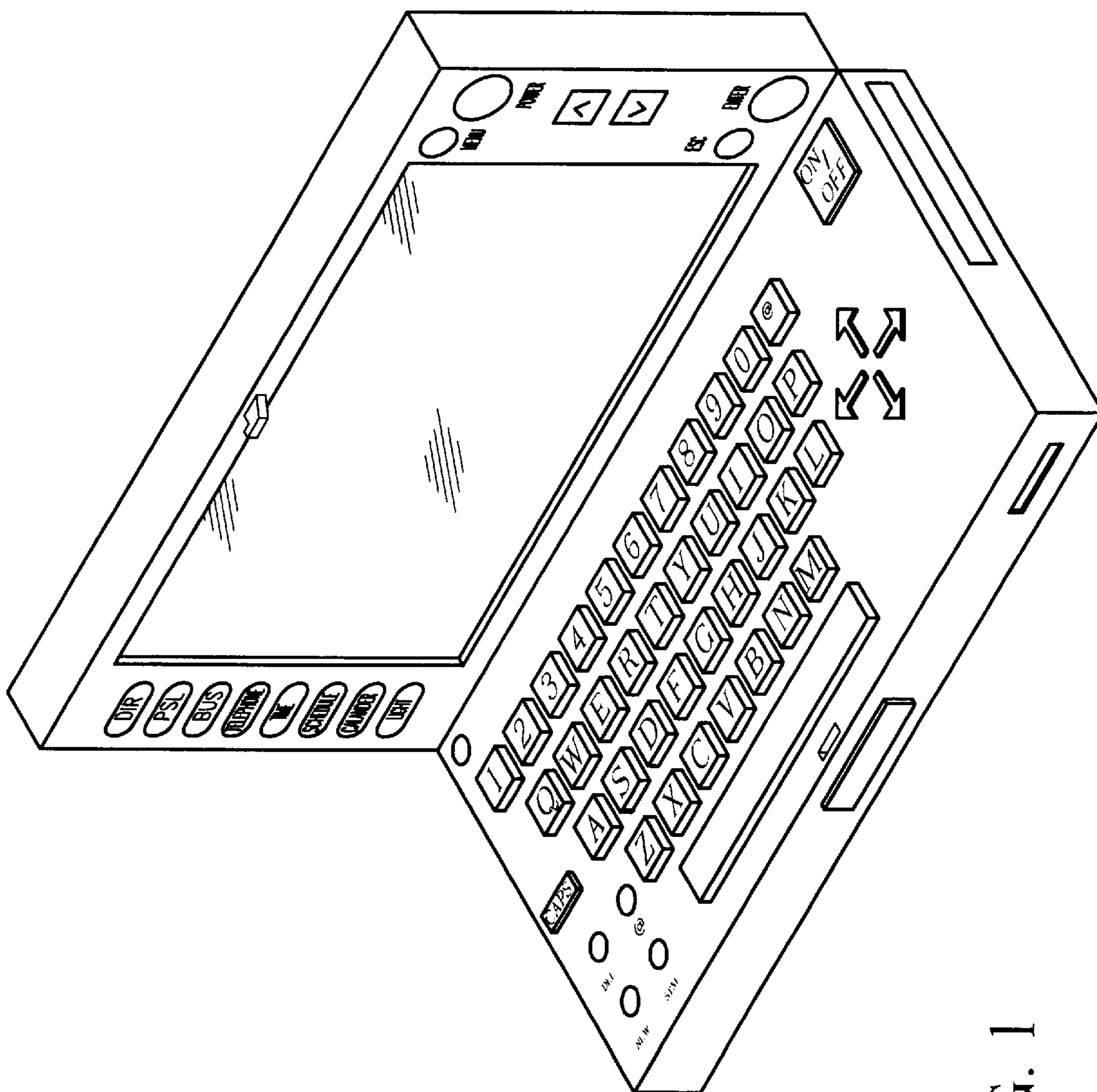


FIG. 1

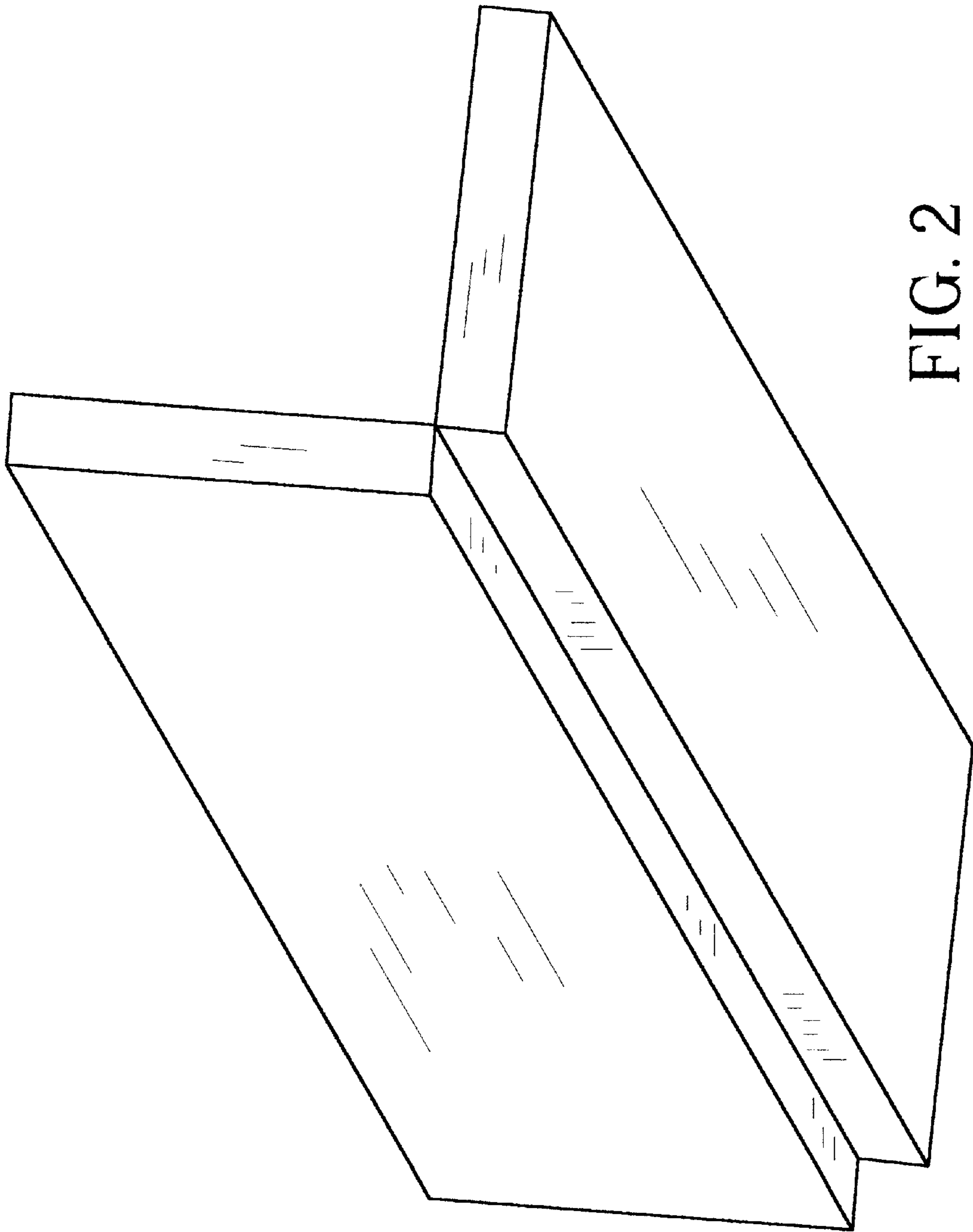


FIG. 2