



US00D454870S

(12) **United States Design Patent**
Lee et al.

(10) **Patent No.:** **US D454,870 S**
(45) **Date of Patent:** **** Mar. 26, 2002**

(54) **DESKTOP ELECTRONIC BOOK**

(75) Inventors: **Chuan-Jung Lee**, Kaohsiung;
Yuan-Huan Tsai; **Chih-Chuan Sun**,
both of Taipei; **Ming-Hsien Wang**,
Ma-Kung, all of (TW)

(73) Assignee: **Future Display Systems, Inc.**, Taipei
(TW)

(**) Term: **14 Years**

(21) Appl. No.: **29/136,243**

(22) Filed: **Jan. 26, 2001**

(51) **LOC (7) Cl.** **14-02**

(52) **U.S. Cl.** **D14/341**

(58) **Field of Search** D14/341, 345,
D14/125-129, 374, 336; D19/26, 59, 60;
345/104, 156, 168, 173; 178/18.03; 349/12

(56) **References Cited**

U.S. PATENT DOCUMENTS

- D372,019 S * 7/1996 Ive et al. D14/336
- D391,987 S * 3/1998 Jambhekar et al. D14/345
- D406,114 S * 2/1999 Ham et al. D14/341
- D410,443 S * 6/1999 Matsumoto D14/341
- D410,636 S * 6/1999 Arthur et al. D14/341
- D425,558 S * 5/2000 Tarpenning et al. D19/26

D430,117 S * 8/2000 Sachs et al. D14/345

* cited by examiner

Primary Examiner—Freda Nunn

(74) *Attorney, Agent, or Firm*—Jackson Walker L.L.P.

(57) **CLAIM**

The ornamental design for a desktop electronic book, as shown and described.

DESCRIPTION

FIG. 1 is a top perspective view of a desktop electronic book with its supporting post closed;

FIG. 2 is a right side view of the desktop electronic book as shown in FIG. 1;

FIG. 3 is a left side view of the desktop electronic book as shown in FIG. 1;

FIG. 4 is a front view of the desktop electronic book as shown in FIG. 1;

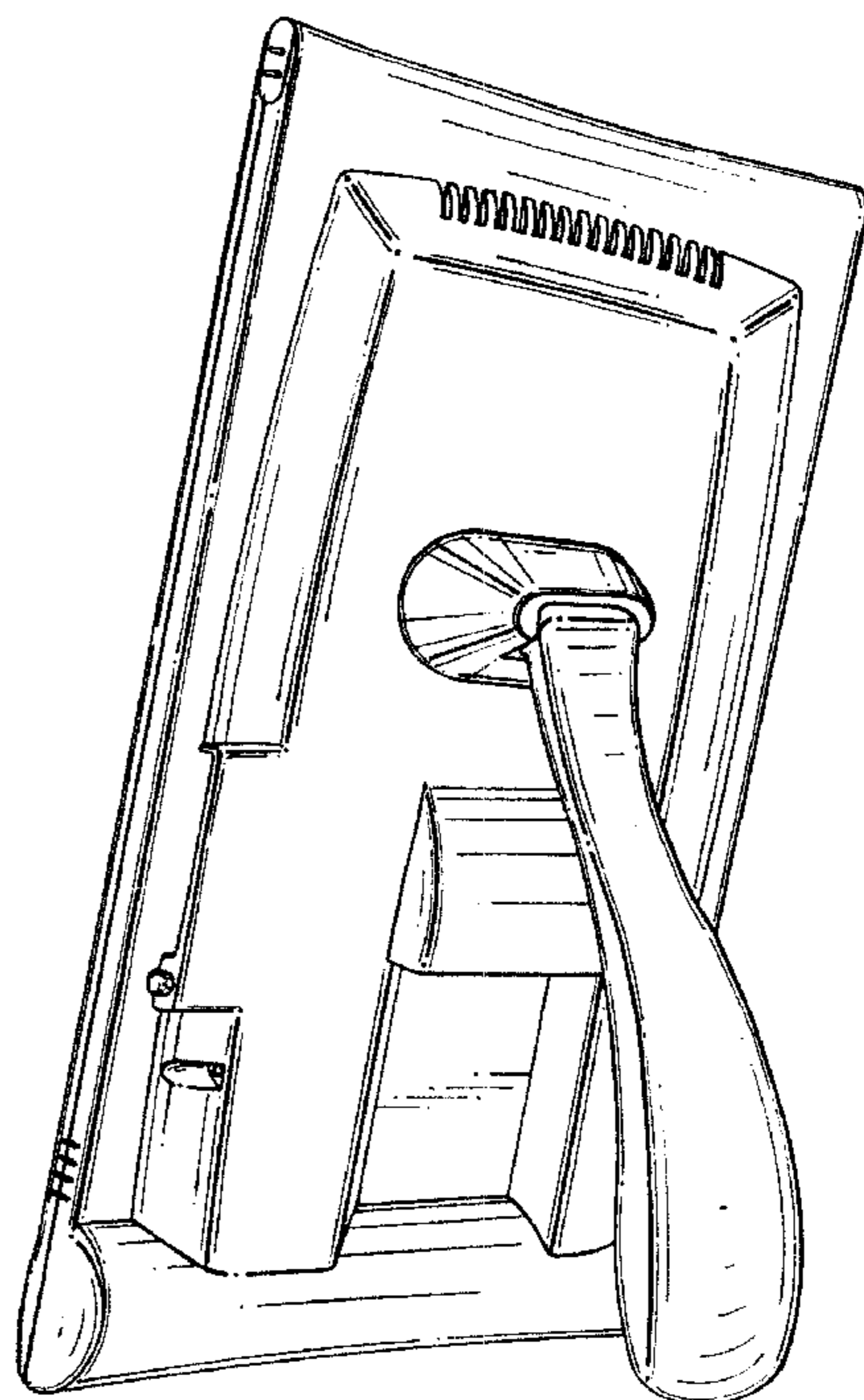
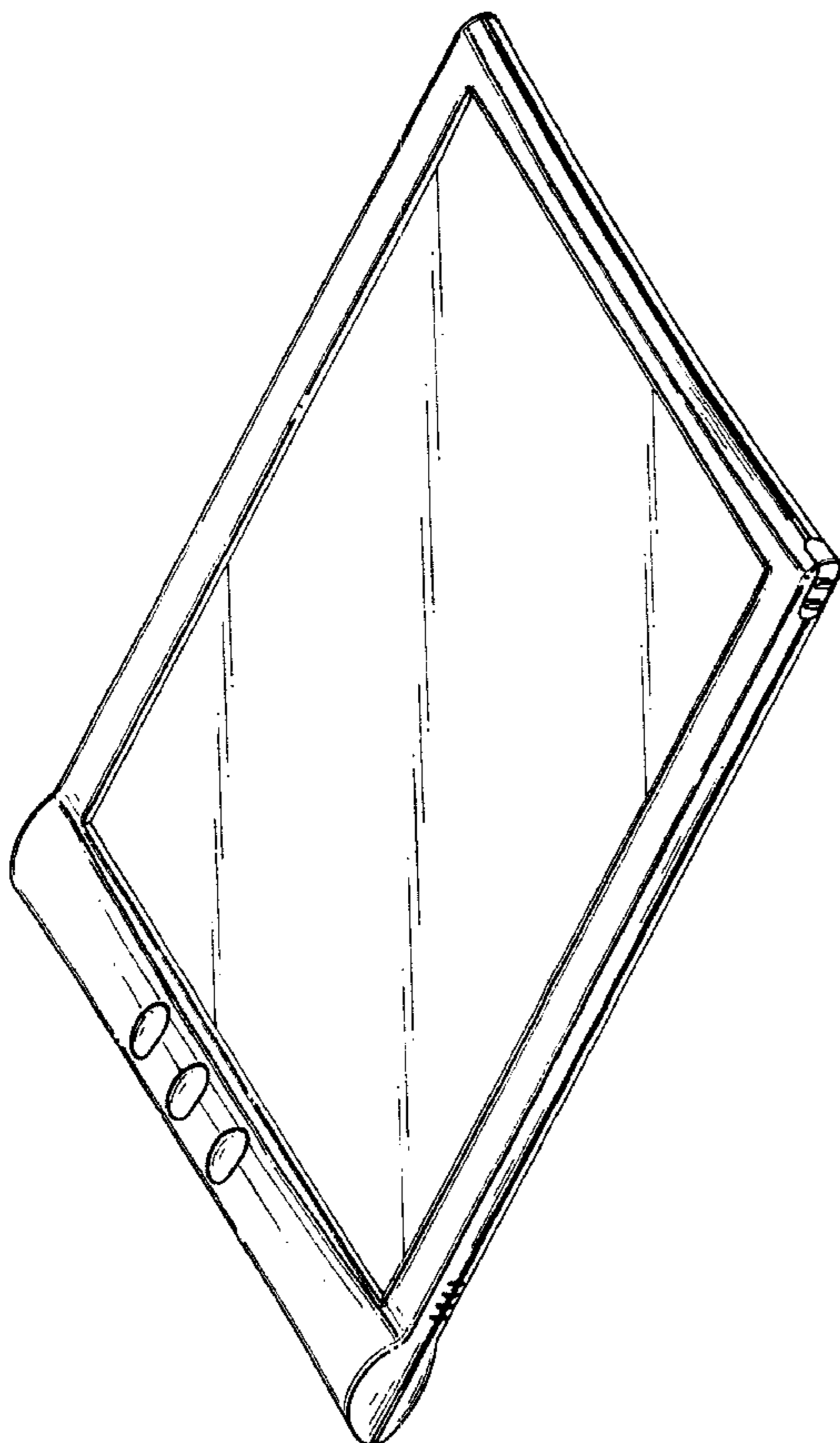
FIG. 5 is a rear view of the desktop electronic book as shown in FIG. 1;

FIG. 6 is a top plan view of the desktop electronic book as shown in FIG. 1;

FIG. 7 is a bottom plan view of the desktop electronic book as shown in FIG. 1; and,

FIG. 8 is a top perspective view of the desktop electronic book as shown in FIG. 1 with its supporting post open.

1 Claim, 6 Drawing Sheets



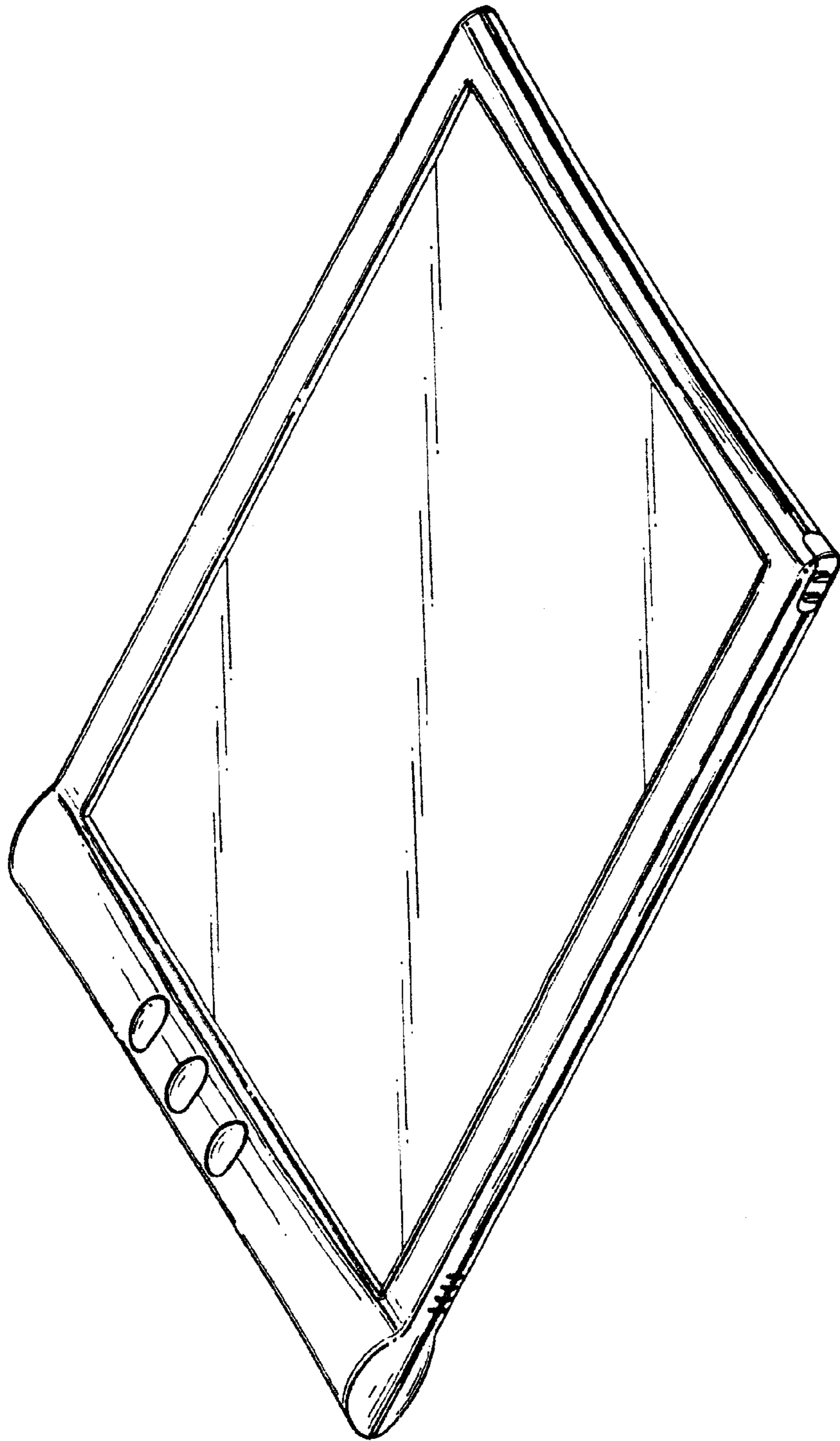


FIG. 1

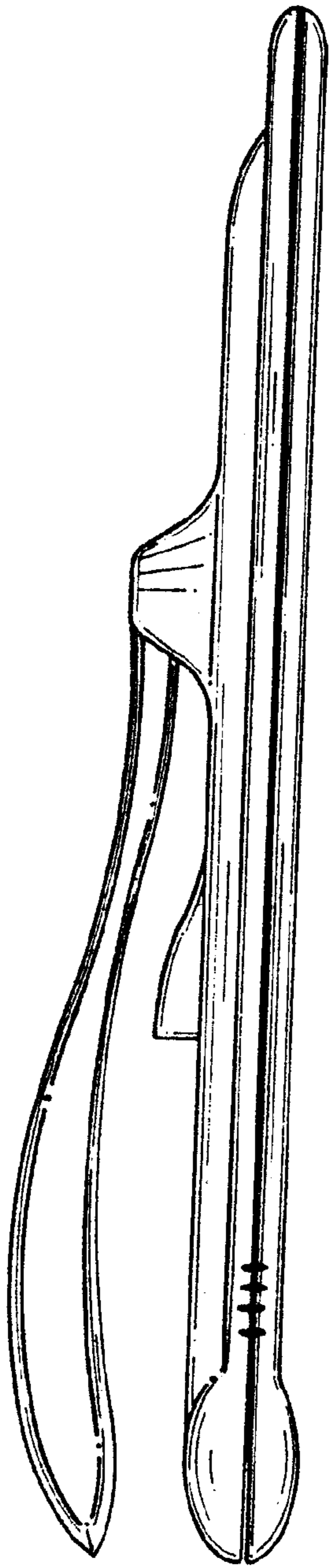


FIG. 2

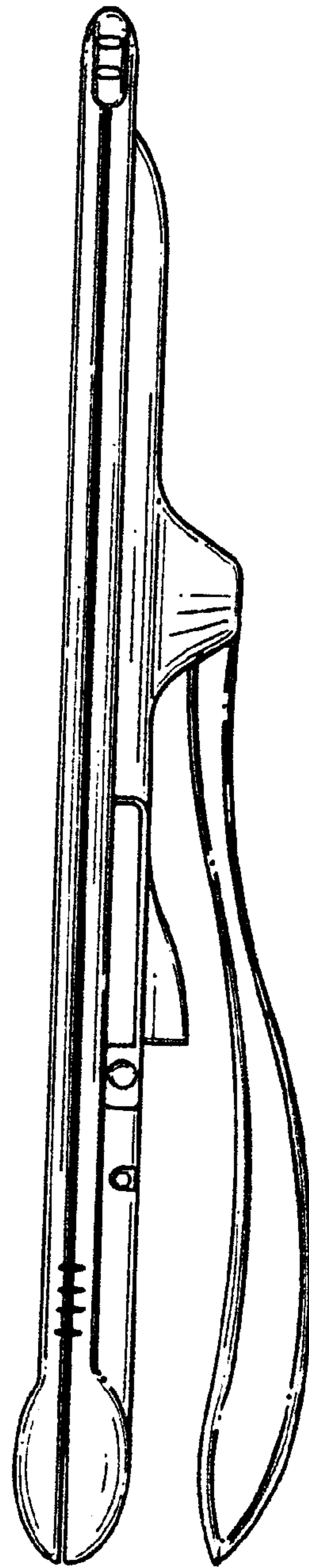


FIG. 3

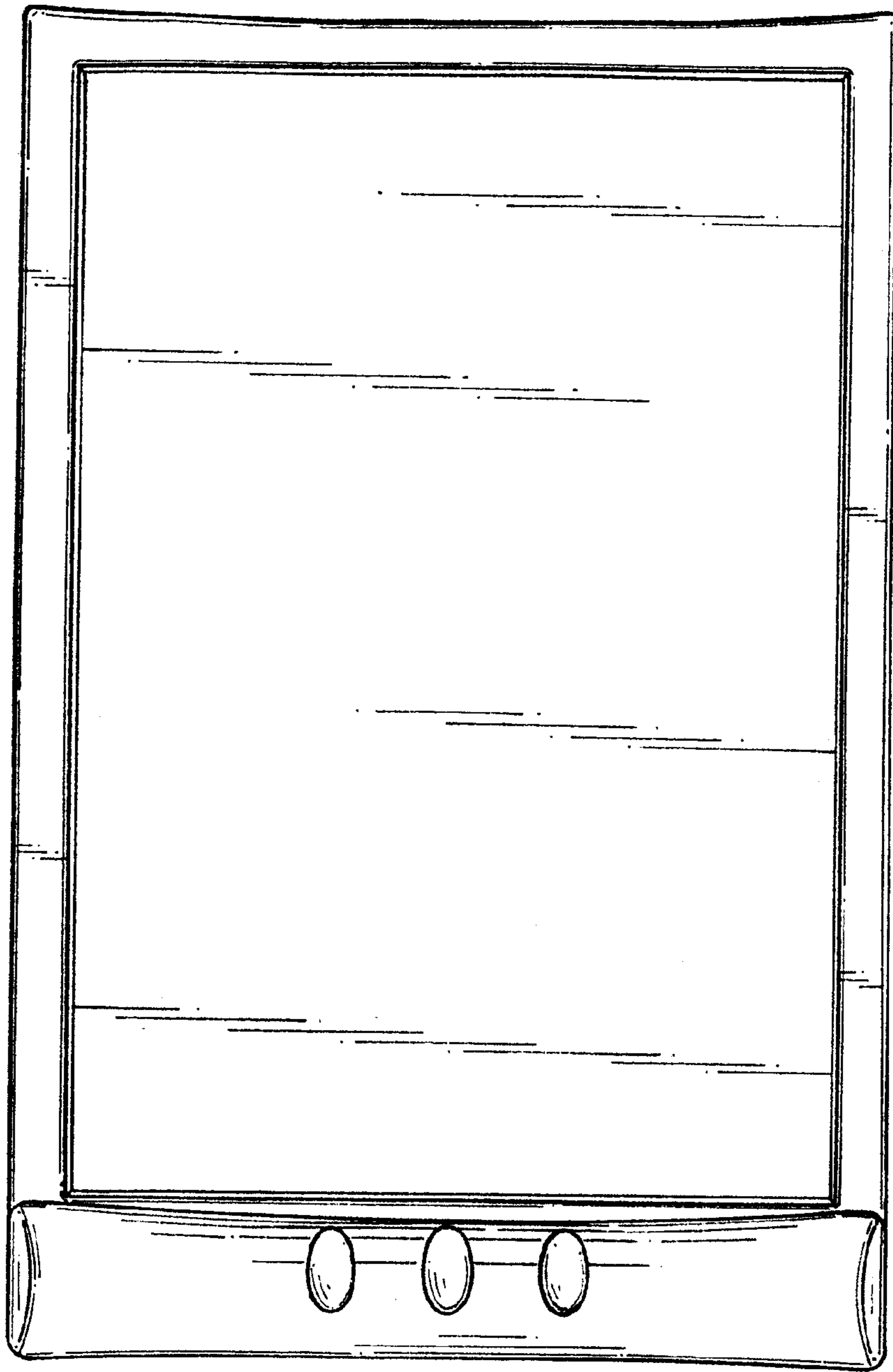


FIG. 4

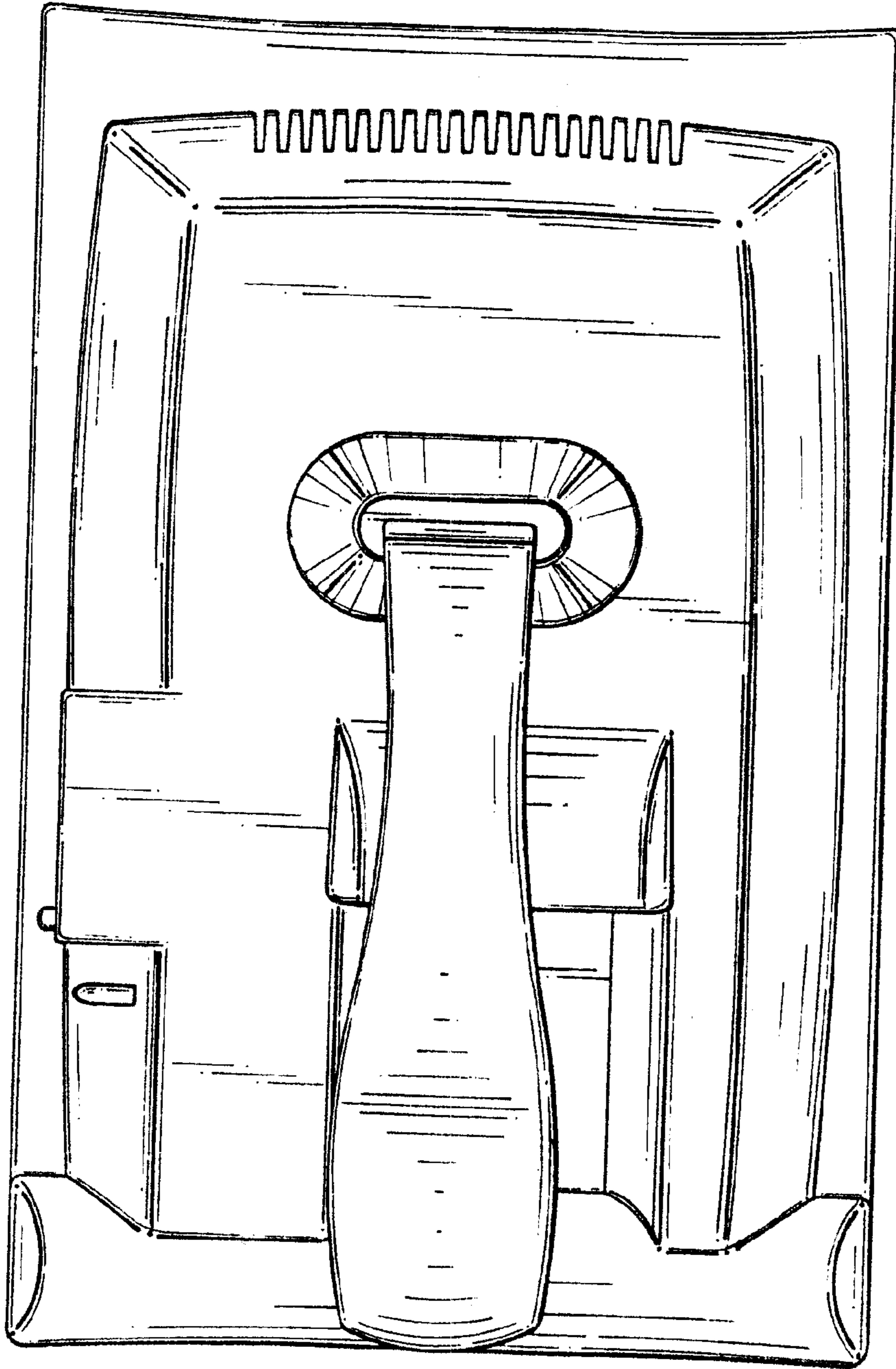


FIG. 5

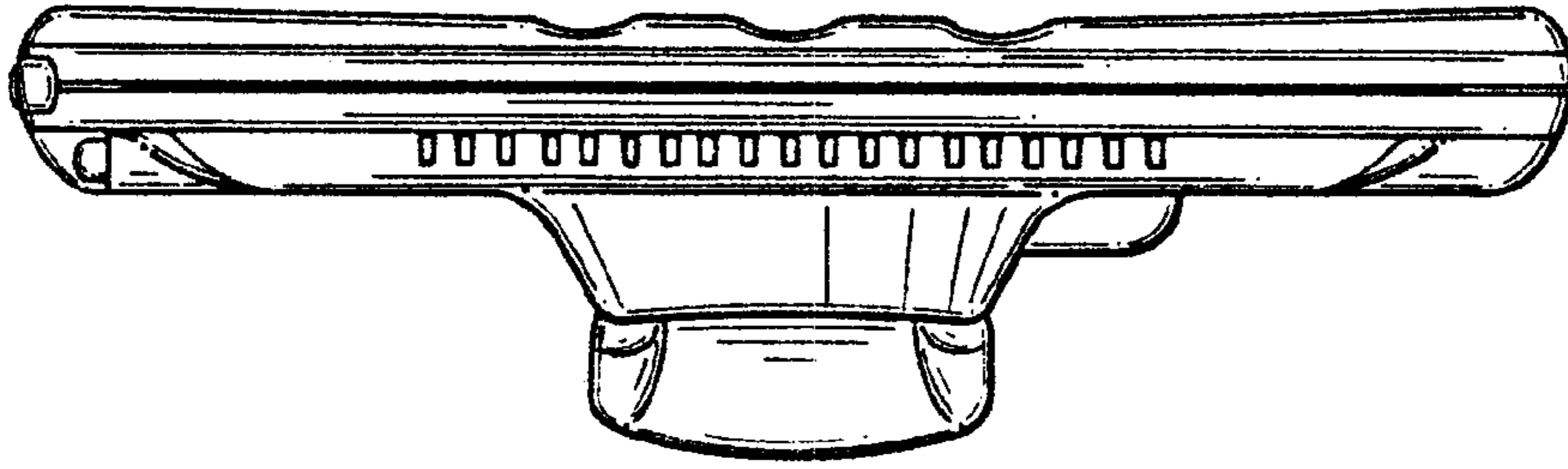


FIG. 6

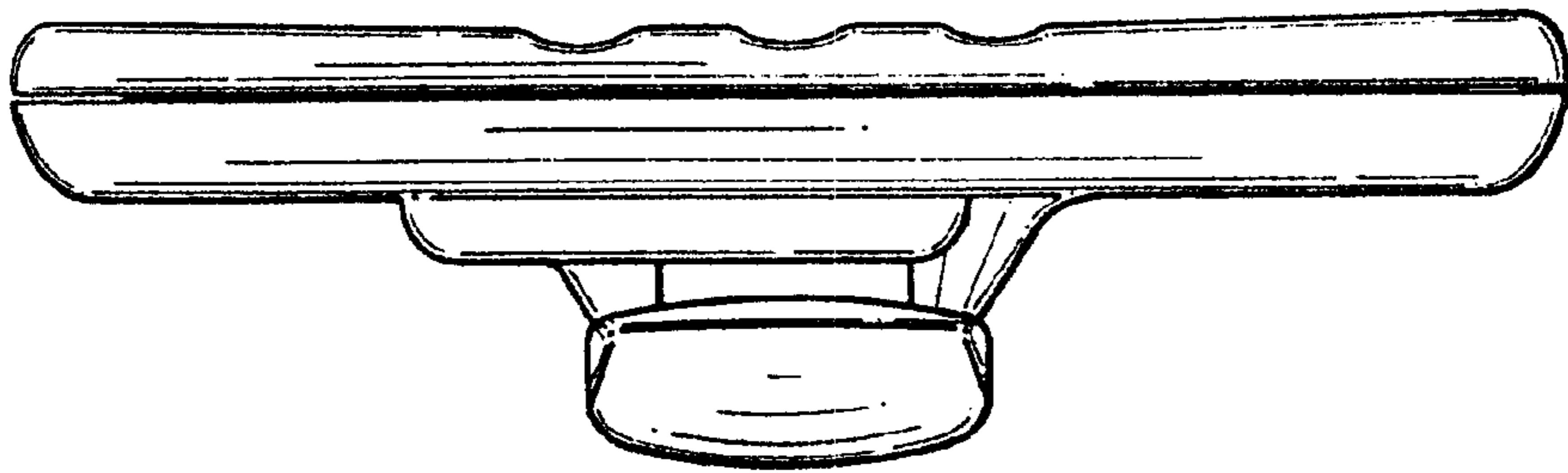


FIG. 7

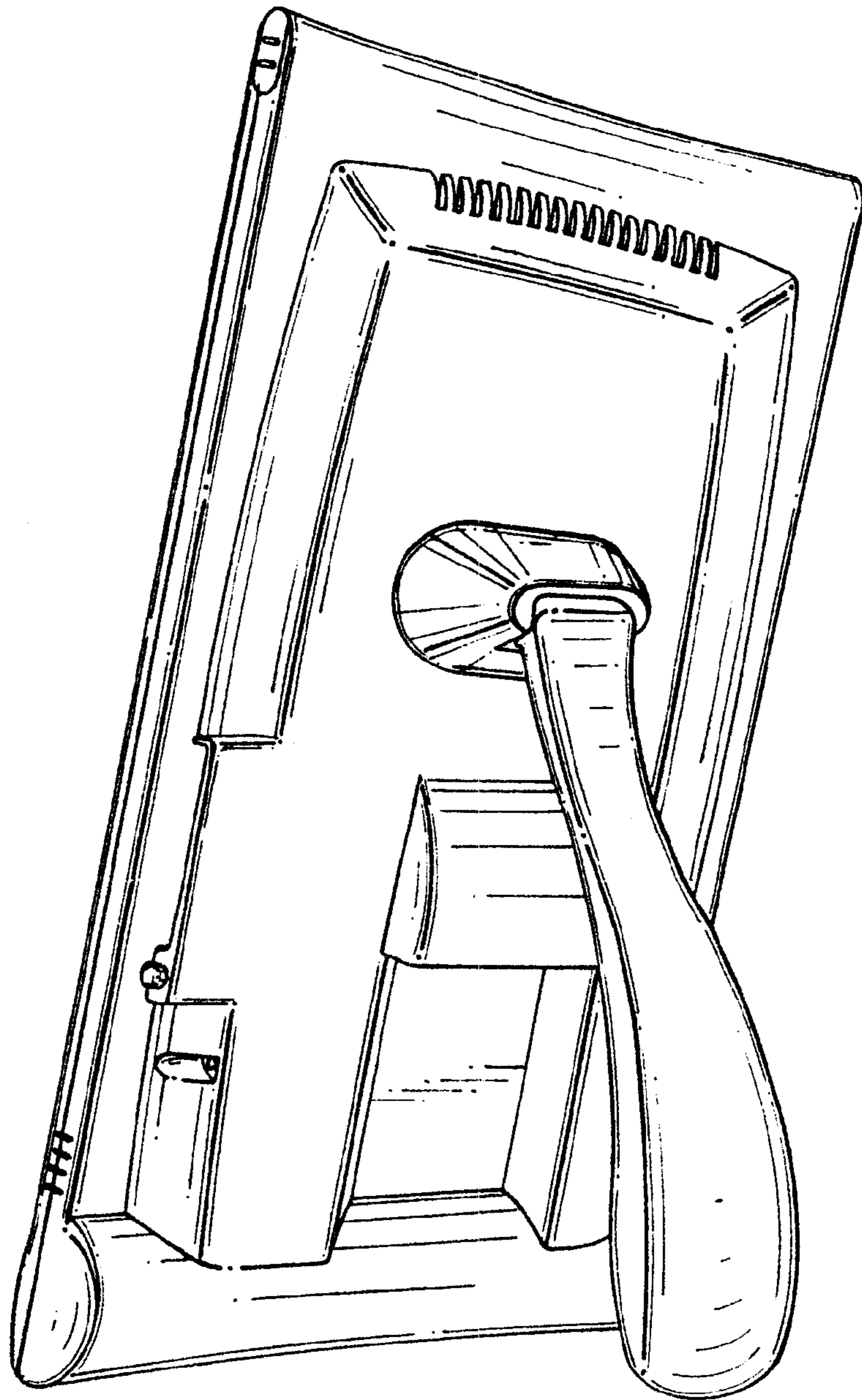


FIG. 8