



US00D454868S

(12) **United States Design Patent**  
**Vuolteenaho et al.**

(10) **Patent No.:** **US D454,868 S**

(45) **Date of Patent:** **\*\* Mar. 26, 2002**

(54) **BACK COVER FOR A HANDSET**

(75) Inventors: **Hanna Vuolteenaho; Anthony Dalby,**  
both of Copenhagen K (DK)

(73) Assignee: **Nokia Mobile Phones Limited, Espoo**  
(FI)

(\*\*) Term: **14 Years**

(21) Appl. No.: **29/134,756**

(22) Filed: **Dec. 29, 2000**

(30) **Foreign Application Priority Data**

Aug. 23, 2000 (FI) ..... M20000605

(51) **LOC (7) Cl.** ..... **14-03**

(52) **U.S. Cl.** ..... **D14/248**

(58) **Field of Search** ..... D14/137, 240,  
D14/138, 218, 147-148, 247-248, 144,  
249, 341-347; 379/433.434, 419, 420, 428,  
440; 455/550-575, 90; D13/103, 110, 119,  
168; D15/2, 7, 12

(56) **References Cited**

**U.S. PATENT DOCUMENTS**

D289,896 S	5/1987	Martensson et al. ....	D14/53
D299,719 S	2/1989	Martensson et al. ....	D14/138
D302,423 S	7/1989	Martensson et al. ....	D14/138
D319,052 S	8/1991	Major .....	D14/138
D320,984 S	10/1991	Tattari .....	D14/138
D321,183 S	10/1991	Powell et al. ....	D14/138
D325,576 S	4/1992	Pitkonen .....	D14/138
D325,577 S	4/1992	Karlin .....	D14/138
D328,733 S	8/1992	Seymour .....	D13/103
D331,566 S	12/1992	Seymour .....	D13/103
D334,187 S	* 3/1993	Matsuda .....	D14/138
D334,926 S	4/1993	Hunt et al. ....	D14/138
D339,338 S	9/1993	Tattari et al. ....	D14/138
D341,138 S	11/1993	Cummings .....	D14/138
D345,734 S	4/1994	Seymour et al. ....	D14/138
D346,580 S	5/1994	Tattari .....	D13/103
D346,581 S	5/1994	Tattari .....	D13/103
D348,667 S	7/1994	Oksman et al. ....	D14/148
D349,112 S	7/1994	Tattari .....	D14/138

D349,882 S	8/1994	Johnson .....	D13/103
D349,898 S	8/1994	Tattari et al. ....	D14/148
D350,110 S	8/1994	Johnson .....	D13/103
D353,807 S	12/1994	White .....	D14/138
D353,809 S	12/1994	Nuovo et al. ....	D14/138
D354,284 S	1/1995	White .....	D14/138
D356,561 S	3/1995	Berry .....	D14/138
D356,562 S	3/1995	Nuovo .....	D14/138
D356,563 S	3/1995	Berry .....	D14/138
D357,896 S	5/1995	Berry .....	D13/103
D358,127 S	5/1995	Berry .....	D13/103
D358,128 S	5/1995	Berry et al. ....	D13/103
D359,267 S	* 6/1995	Berry et al. ....	D13/103
D361,309 S	8/1995	White .....	D13/103
D361,328 S	8/1995	White .....	D14/138
D361,762 S	8/1995	Berry .....	D14/138

(List continued on next page.)

**OTHER PUBLICATIONS**

Telecom Products; Easy Way Technology Enterprise; July 2000; Asian Sources.

*Primary Examiner*—Jeffrey Asch

(74) *Attorney, Agent, or Firm*—Perman & Green, LLP

(57) **CLAIM**

The ornamental design for a “back cover for a handset”, as shown and described.

**DESCRIPTION**

FIG. 1 is a bottom plan view of a back cover for a handset showing our new design;

FIG. 2 is a left side view thereof;

FIG. 3 is a rear elevational view thereof;

FIG. 4 is a right side view thereof;

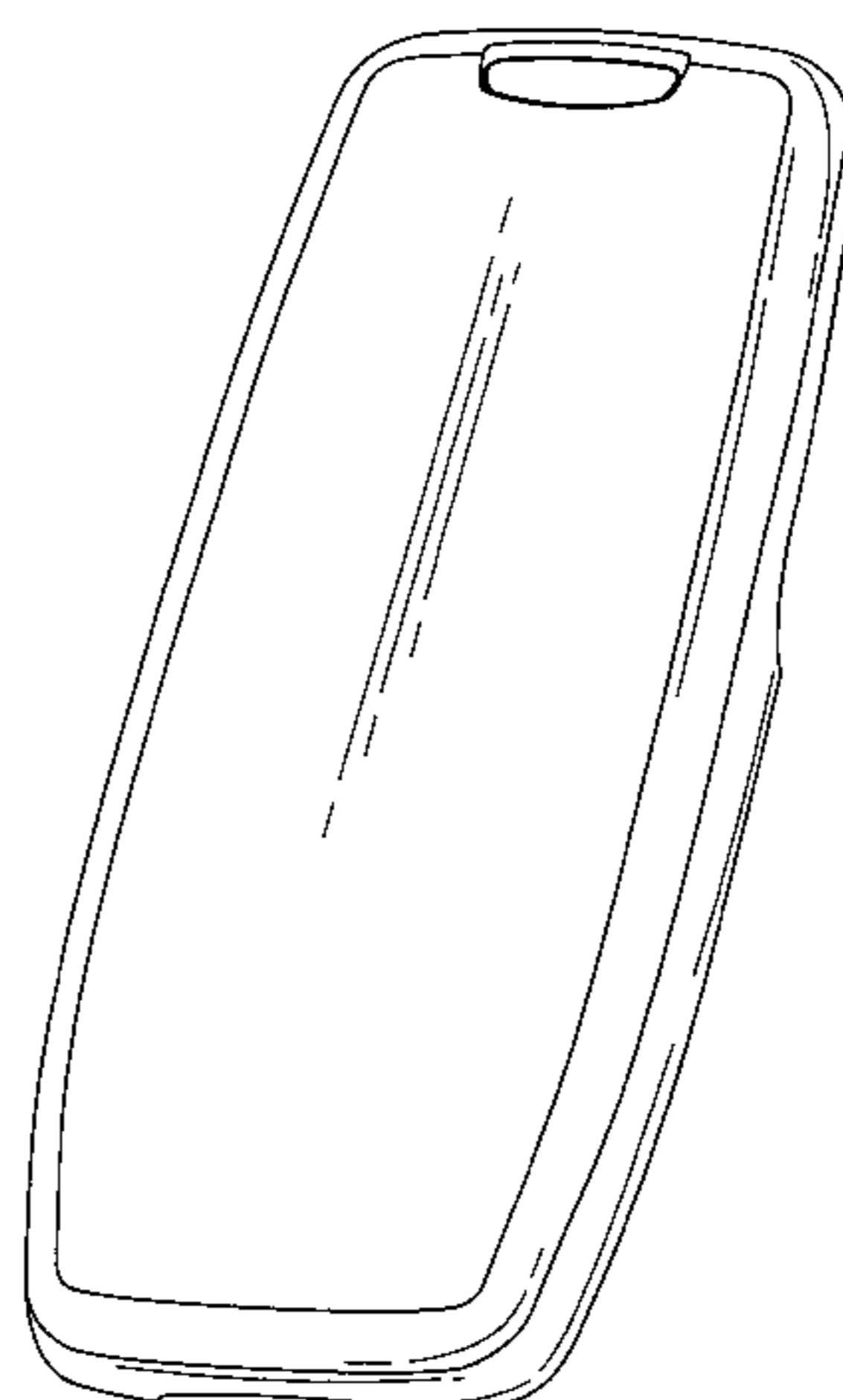
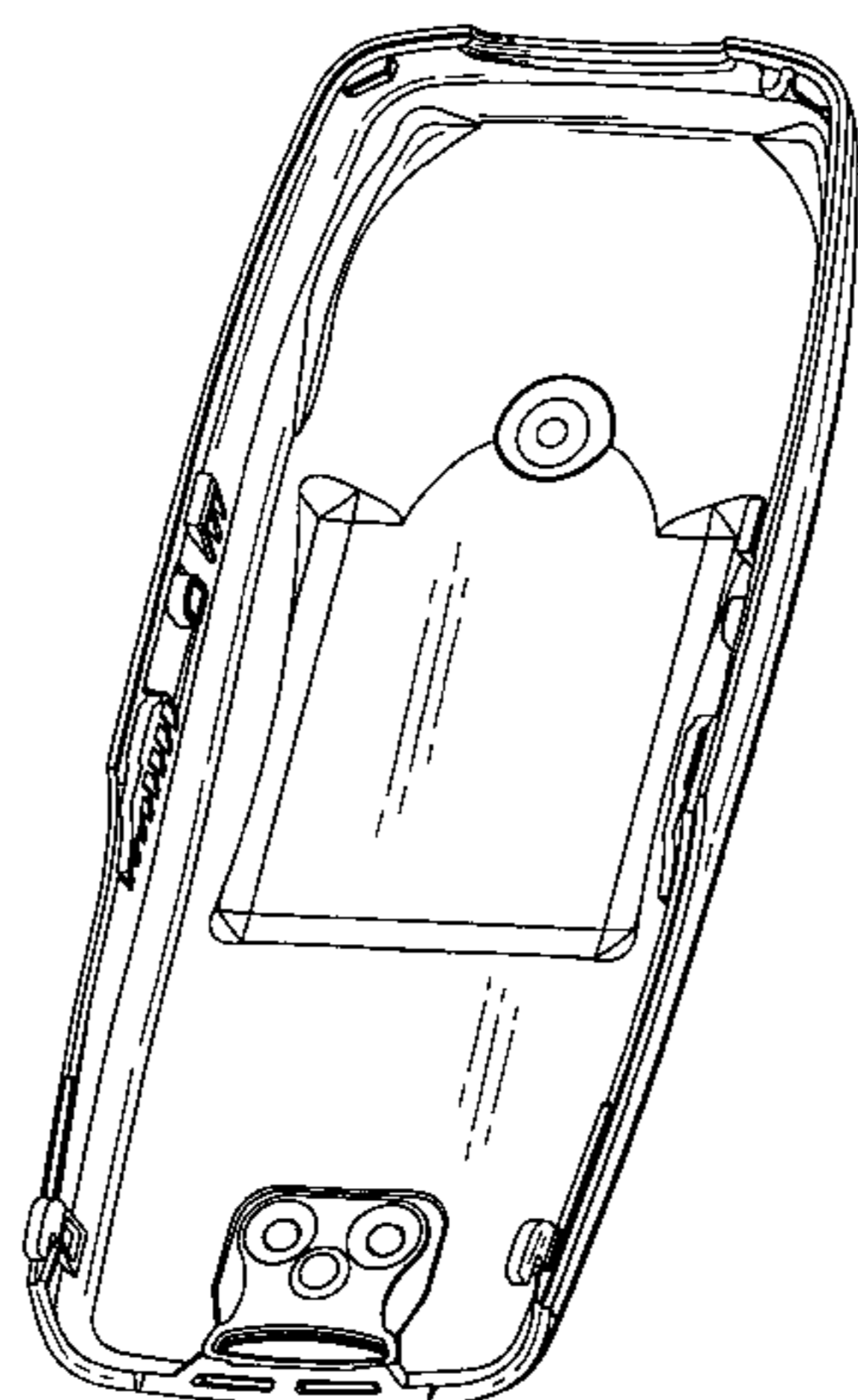
FIG. 5 is a top plan view thereof;

FIG. 6 is a rear, bottom, left side perspective rear view thereof;

FIG. 7 is a front, top, left side perspective front view thereof; and,

FIG. 8 is a front elevational view thereof.

**1 Claim, 6 Drawing Sheets**



# US D454,868 S

Page 2

## U.S. PATENT DOCUMENTS

D362,249 S	9/1995	Burstedt et al. ....	D14/138	D410,623 S	6/1999	Kolinen .....	D13/103
D364,620 S	11/1995	Prior et al. ....	D14/147	D410,892 S	6/1999	Prior .....	D13/103
5,546,457 A *	8/1996	Tomura et al. ....	379/368	D412,484 S	8/1999	Salmi .....	D13/103
D374,006 S	9/1996	Tattari .....	D14/138	D412,704 S	8/1999	Vuolteenaho et al. ....	D14/138
D374,007 S	9/1996	Tattari .....	D14/138	D413,325 S *	8/1999	Lee .....	D14/138
5,586,184 A *	12/1996	Piper .....	379/433	D413,857 S *	9/1999	Peterzell et al. ....	D13/103
D379,962 S	6/1997	Nuovo et al. ....	D13/103	D414,158 S	9/1999	Frye et al. ....	D13/103
D384,950 S	10/1997	Park .....	D14/138	D415,149 S	10/1999	Vuolteenaho et al. ....	D14/138
D385,554 S *	10/1997	Nuovo et al. ....	D14/138	D416,255 S	11/1999	Johansson et al. ....	D14/144
D385,876 S	11/1997	Park .....	D14/138	D417,428 S	12/1999	Kolinen et al. ....	D13/103
D388,763 S	1/1998	Nuovo et al. ....	D13/103	D418,504 S	1/2000	Frye et al. ....	D14/138
D388,784 S	1/1998	Phillips et al. ....	D14/138	D419,550 S	1/2000	Caroen et al. ....	D14/138
D389,116 S	1/1998	Nuovo et al. ....	D13/103	6,014,552 A *	1/2000	Aiken et al. ....	455/90
D389,117 S	1/1998	Nuovo et al. ....	D13/103	D419,992 S	2/2000	Kolinen .....	D14/138
D389,118 S	1/1998	Nuovo et al. ....	D13/103	D419,994 S	2/2000	Curtis et al. ....	D14/138
D389,119 S	1/1998	Nuovo et al. ....	D13/103	D421,004 S *	2/2000	Curtis .....	D14/138
D390,555 S *	2/1998	Finke-Anlauff .....	D14/138	D421,005 S	2/2000	Lucaci et al. ....	D14/138
D392,248 S	3/1998	Johansson .....	D13/103	D421,022 S	2/2000	Curtis .....	D14/248
D392,939 S	3/1998	Finke-Anlauff .....	D13/103	D421,023 S *	2/2000	Curtis .....	D14/248
D392,967 S	3/1998	Mason .....	D14/138	D421,985 S	3/2000	Collins .....	D14/138
D392,968 S	3/1998	Johansson .....	D14/144	D422,282 S *	3/2000	Curtis .....	D14/248
D395,277 S	6/1998	Finke-Anlauff .....	D13/103	D423,449 S	4/2000	Naskali .....	D13/103
D396,230 S	7/1998	Phillips et al. ....	D14/138	D424,013 S	5/2000	Curtis .....	D13/103
D396,714 S	8/1998	Nuovo et al. ....	D14/138	D425,057 S	5/2000	Finkbeiner .....	D14/137
D400,203 S	10/1998	Kolinen .....	D14/138	D425,073 S *	5/2000	Finkbeiner .....	D14/248
D402,653 S	12/1998	Nuovo et al. ....	D14/138	D425,905 S	5/2000	Finkbeiner .....	D14/248
D403,655 S	1/1999	Johansson .....	D13/103	D425,906 S *	5/2000	Finkbeiner .....	D14/248
D403,657 S	1/1999	Nuovo et al. ....	D13/103	D425,907 S	5/2000	Frye et al. ....	D14/248
D403,658 S *	1/1999	Nuovo et al. ....	D13/103	D426,830 S *	6/2000	Curtis .....	D14/248
D405,048 S	2/1999	Mason .....	D13/103	D427,171 S	6/2000	Frye et al. ....	D14/138
D405,445 S	2/1999	Phillips et al. ....	D14/138	D428,401 S	7/2000	Curtis .....	D14/138
D405,752 S	2/1999	Mason .....	D13/103	D429,241 S	8/2000	Collins .....	D14/248
D405,753 S *	2/1999	Nuovo et al. ....	D13/103	6,101,372 A *	8/2000	Kubo .....	455/90
D406,848 S *	3/1999	Salmi .....	D14/240	D431,226 S	9/2000	Frye et al. ....	D13/103
D407,088 S	3/1999	Mason .....	D14/138	D433,002 S	11/2000	Kolinen .....	D14/138
D407,368 S	3/1999	Mason .....	D13/119	D434,410 S *	11/2000	Frye et al. ....	D14/248
D407,399 S	3/1999	Frye et al. ....	D14/138	D434,744 S	12/2000	Lai .....	D14/138
D408,031 S	4/1999	Tattari et al. ....	D14/138	D436,938 S	1/2001	Won .....	D14/138
D408,813 S	4/1999	Prior .....	D14/138	D439,230 S	3/2001	Braxton et al. ....	D14/138
D409,562 S	5/1999	Johansson et al. ....	D13/103	6,201,712 B1 *	3/2001	Barnett .....	361/814
D410,000 S	5/1999	Nuovo .....	D14/138				

\* cited by examiner

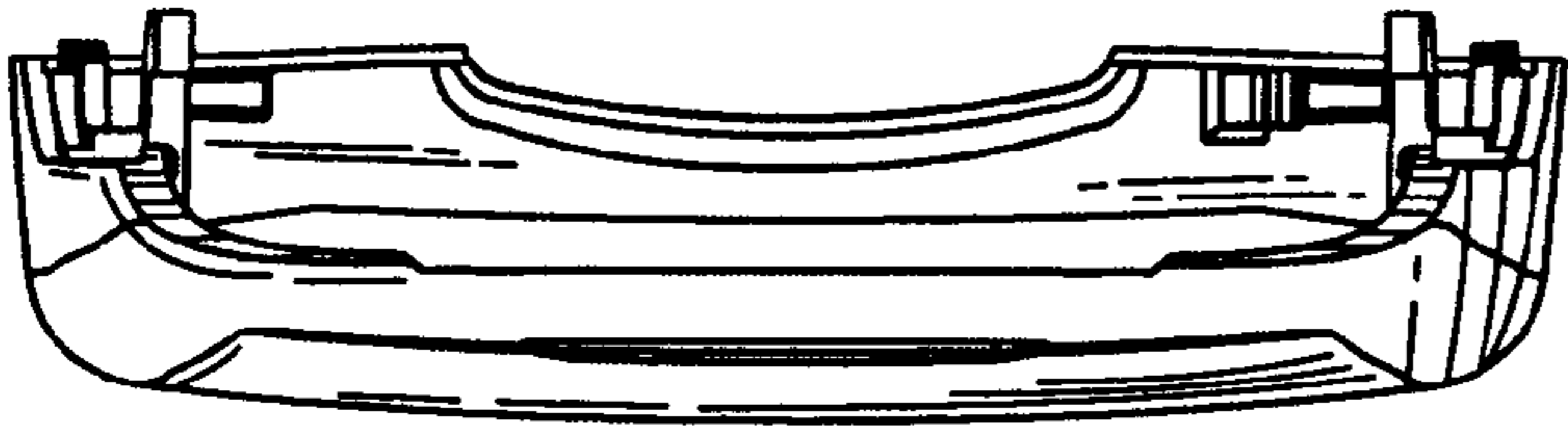


Fig. 1

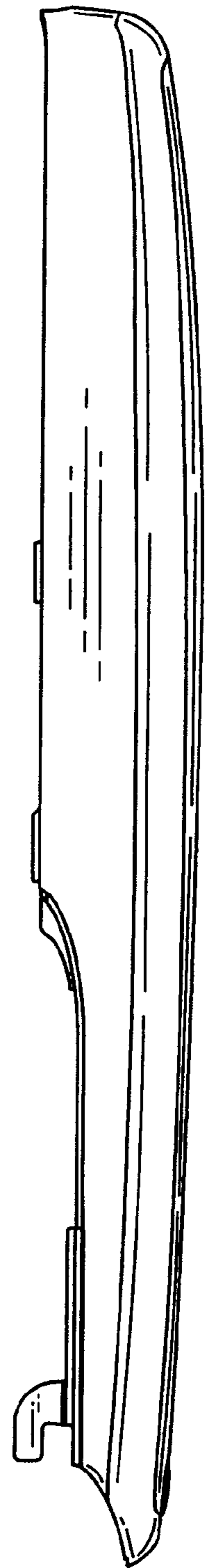


Fig. 2

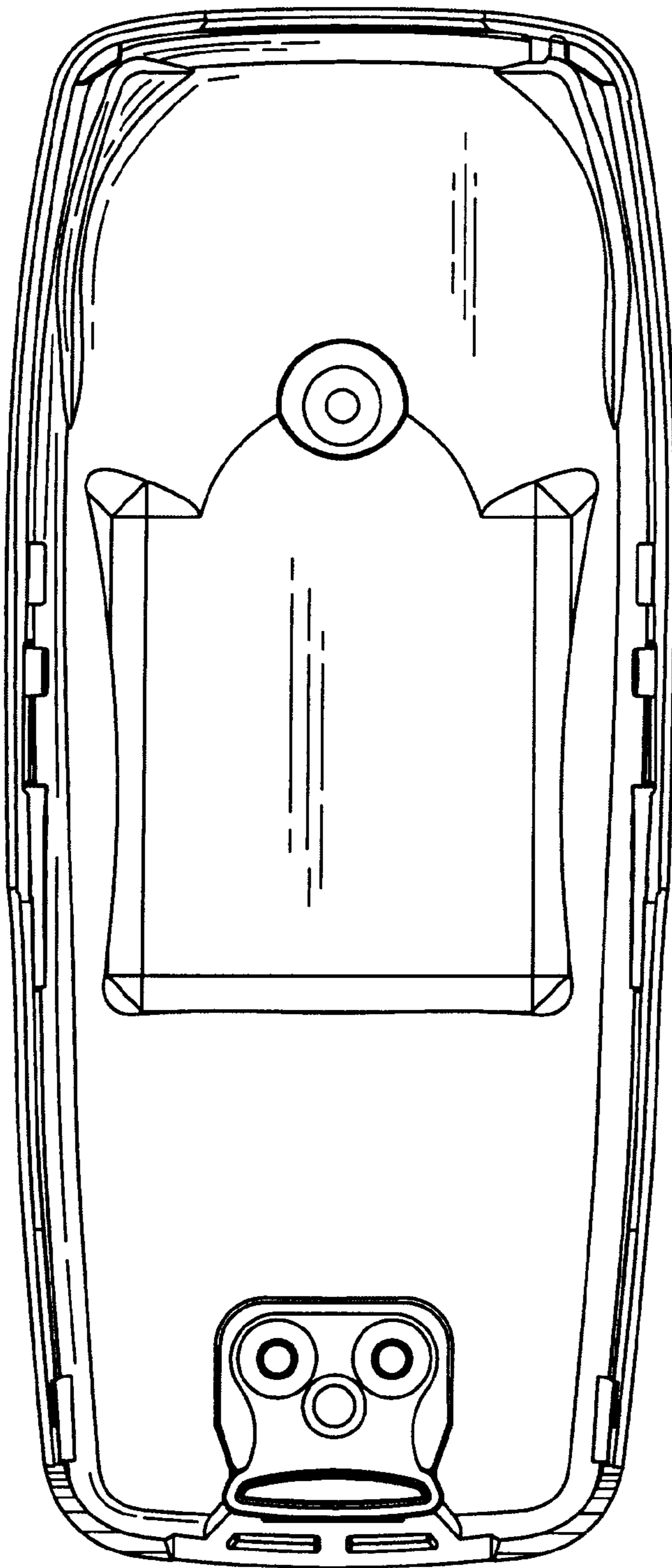


Fig. 3

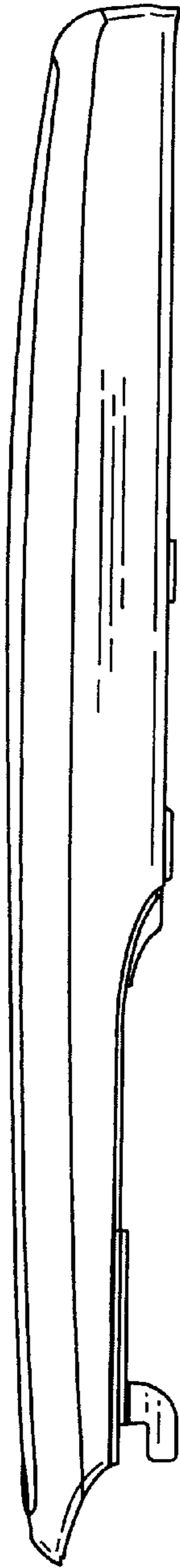


Fig. 4

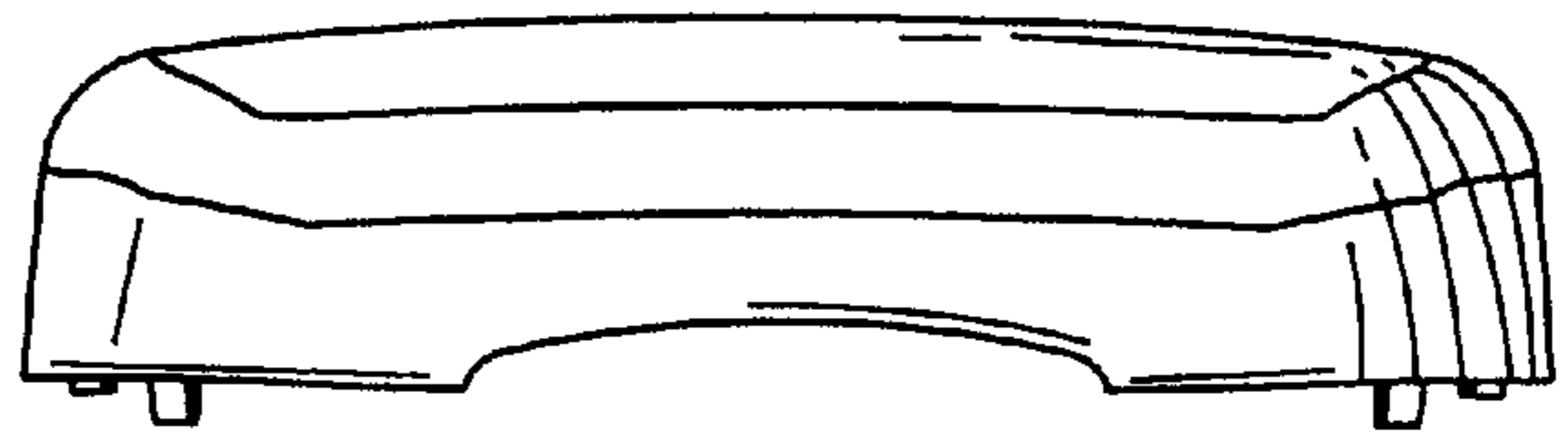


Fig. 5

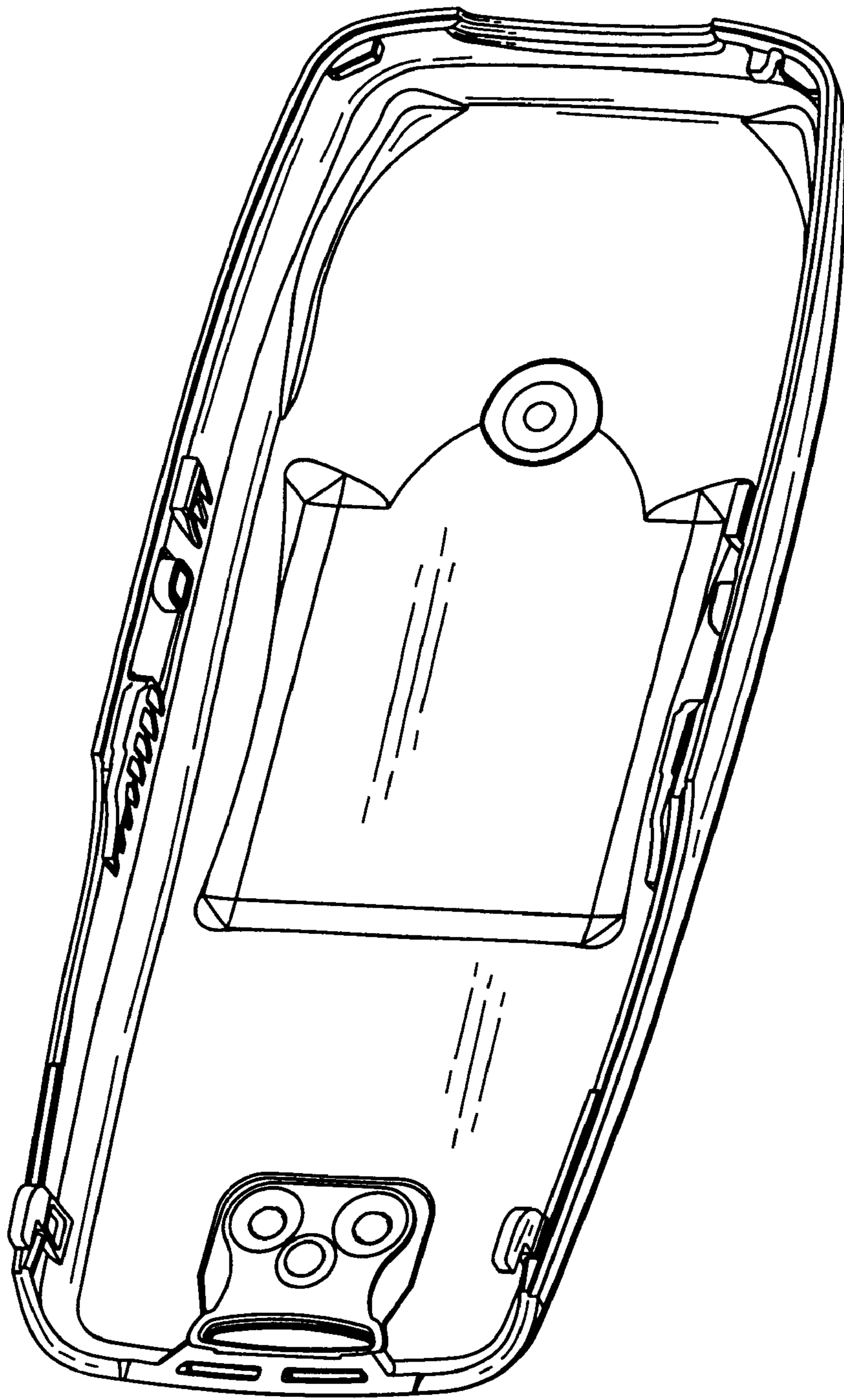


Fig. 6

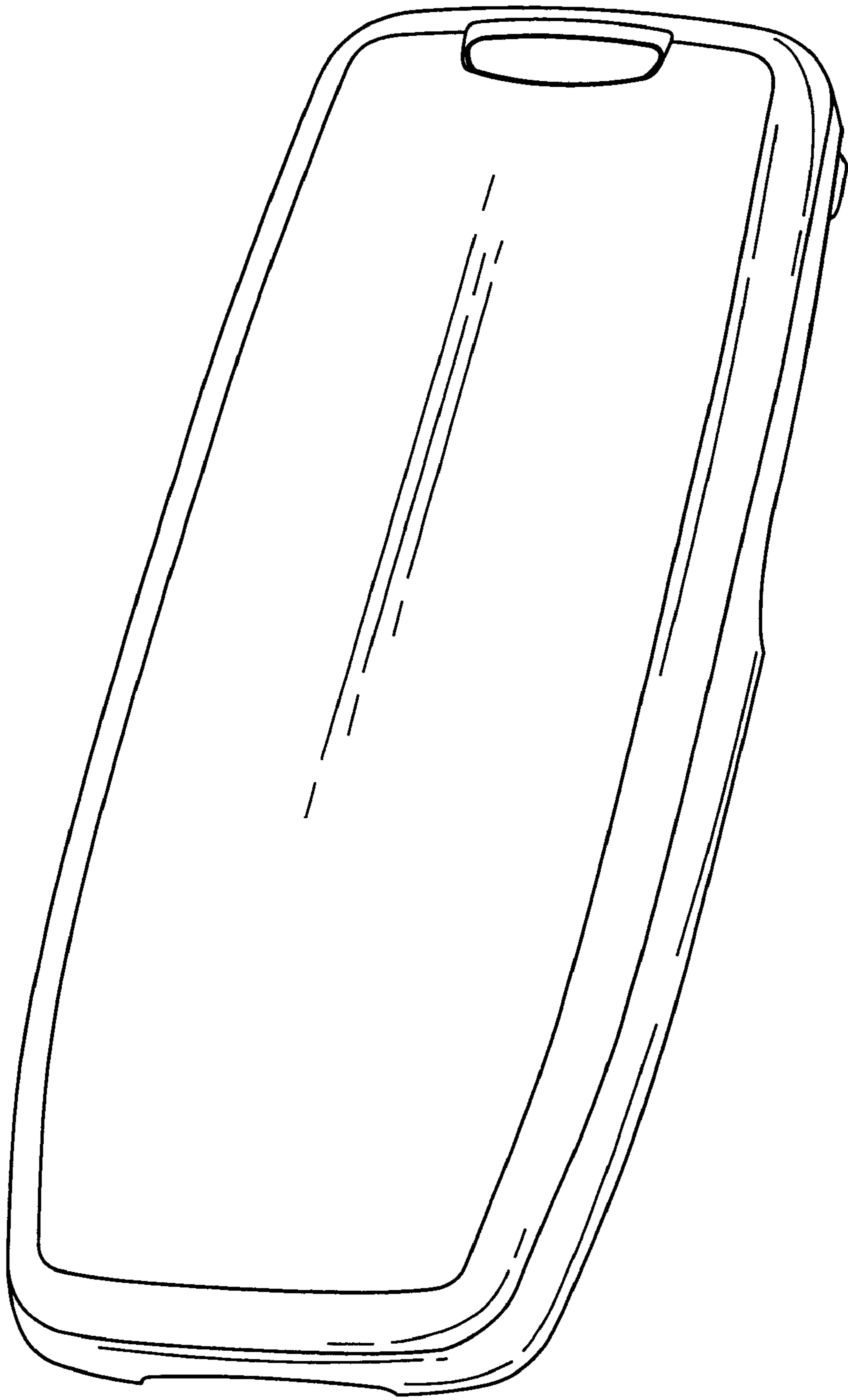


Fig. 7

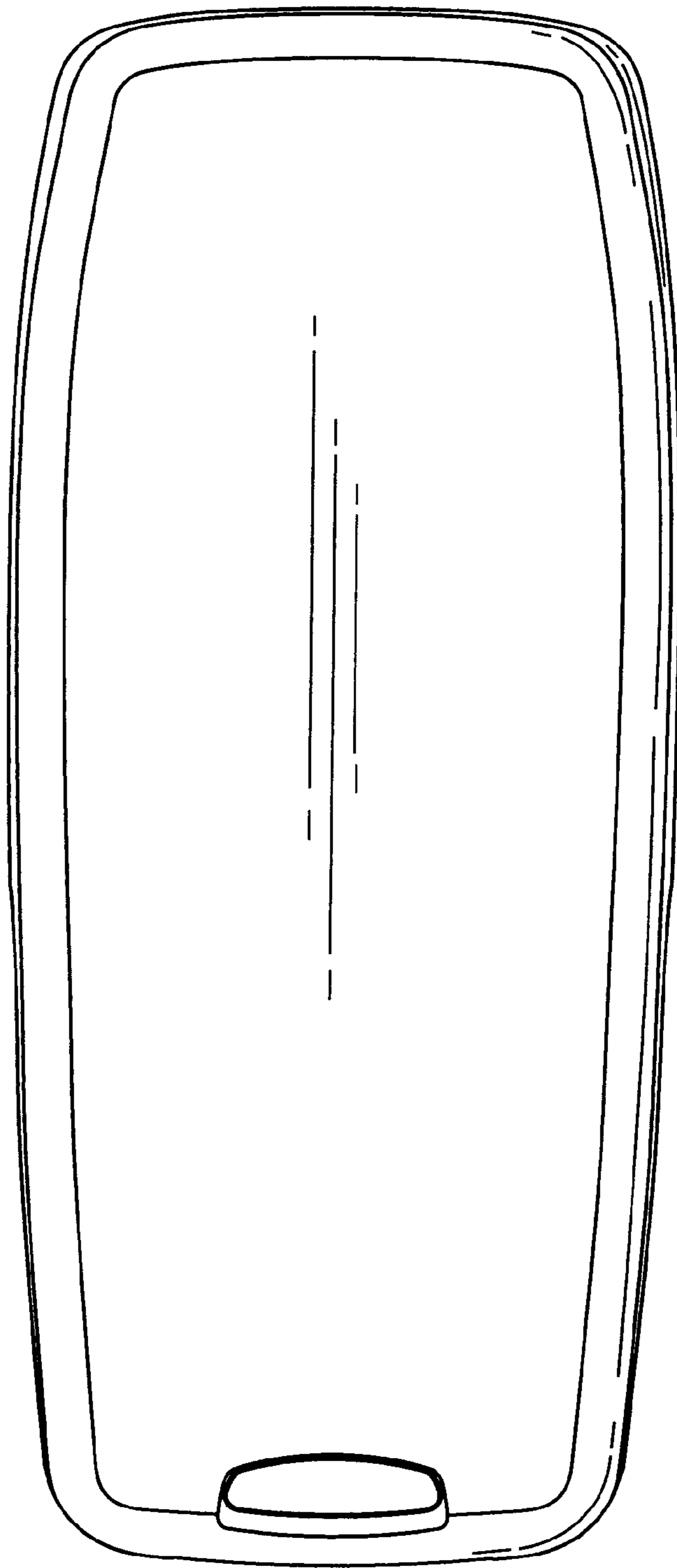


Fig. 8