



US00D454864S

(12) **United States Design Patent**
Kubik

(10) **Patent No.:** **US D454,864 S**

(45) **Date of Patent:** **** Mar. 26, 2002**

(54) **WIRELESS MODEM**

(75) **Inventor:** **Randy James Kubik, Calgary (CA)**

(73) **Assignee:** **Novatel Wireless, Inc., San Diego, CA (US)**

(**) **Term:** **14 Years**

(21) **Appl. No.:** **29/137,616**

(22) **Filed:** **Feb. 23, 2001**

(51) **LOC (7) Cl.** **14-03**

(52) **U.S. Cl.** **D14/242**

(58) **Field of Search** D14/125, 257,
D14/140, 142, 299, 433, 434, 356-358,
435-438, 308, 349, 353, 240, 242, 155,
159, 141, 352, 439; 379/419, 420, 428,
440, 406, 93.01, 93.28; 455/550-575, 90;
D13/184; 361/600, 622, 724-728; 375/220-225;
D3/218

(56) **References Cited**

U.S. PATENT DOCUMENTS

D312,534 S	*	12/1990	Nelson et al.	D3/228
D354,951 S	*	1/1995	Fenton et al.	D14/242
D359,034 S	*	6/1995	Kondo	D14/434
D363,289 S	*	10/1995	Kobayashi et al.	D14/242
D368,911 S	*	4/1996	Lam	D14/242
5,535,274 A	*	7/1996	Braitberg et al.	379/446
D373,121 S	*	8/1996	Deluliis et al.	D14/457
D374,675 S	*	10/1996	Sakai et al.	D14/242

D380,205 S	*	6/1997	Bares	D14/242
5,739,665 A	*	4/1998	Bares	320/115
D406,848 S	*	3/1999	Salmi	D14/240
D419,565 S	*	1/2000	Lohrding et al.	D14/230
D420,671 S	*	2/2000	Jacobsen et al.	D14/240
D421,424 S	*	3/2000	Lee et al.	D14/434
D423,473 S	*	4/2000	Iwamoto	D14/434
D424,035 S	*	5/2000	Steiner et al.	D14/439
D426,549 S	*	6/2000	Carlson	D14/433
6,073,034 A	*	6/2000	Jacobsen et al.	455/566
D427,587 S	*	7/2000	Jacobsen et al.	D14/240
D431,250 S	*	9/2000	Richter	D14/447
6,176,401 B1	*	1/2001	Lim	224/196
D443,247 S	*	6/2001	Chuan et al.	D13/107

* cited by examiner

Primary Examiner—Jeffrey Asch

(74) *Attorney, Agent, or Firm*—Lyon & Lyon LLP

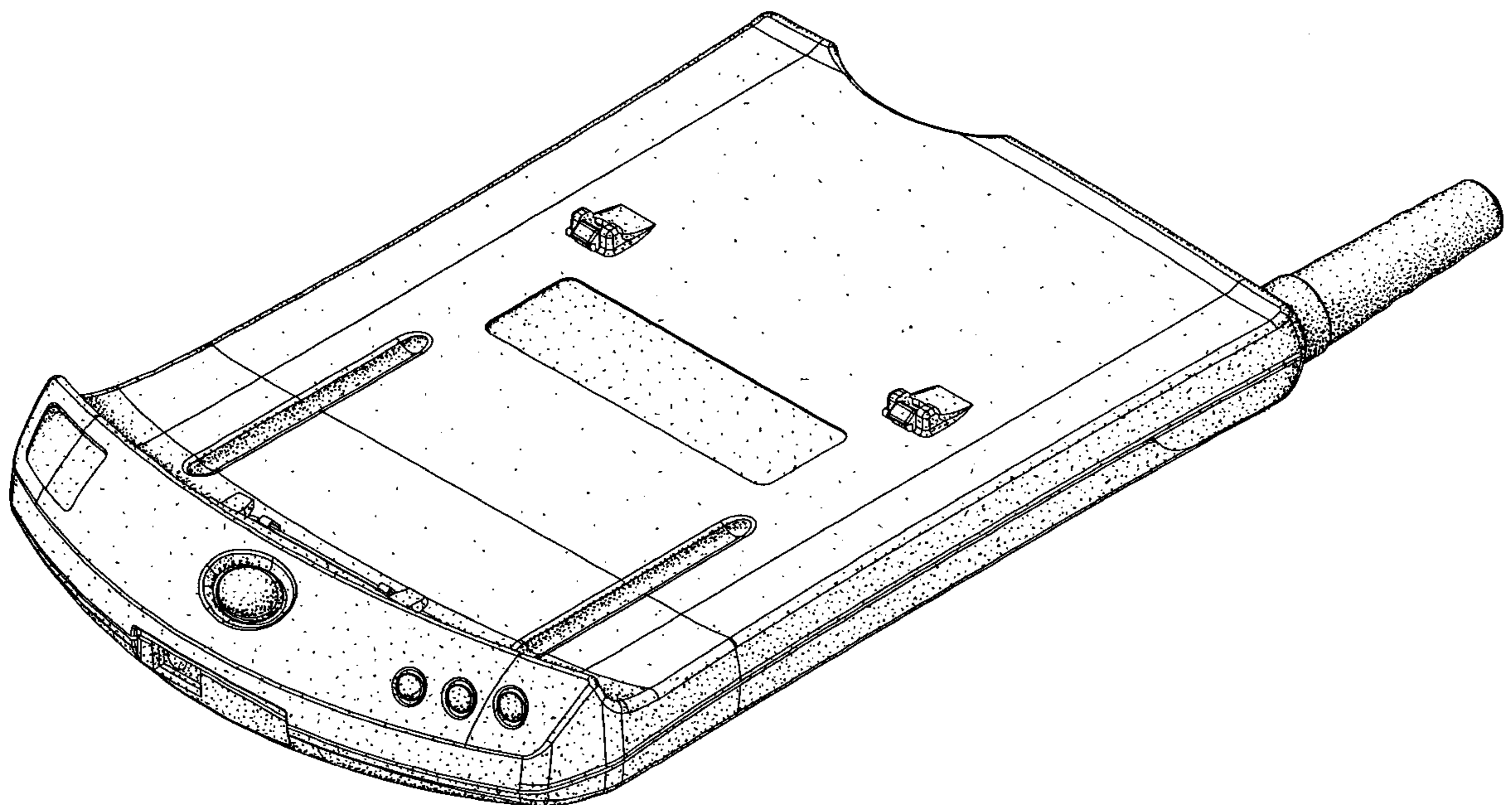
(57) **CLAIM**

The ornamental design for a wireless modem, substantially as shown and described.

DESCRIPTION

FIG. 1 is a perspective view of a wireless modem; FIG. 2 is a front plan view thereof; FIG. 3 is a back plan view thereof; FIG. 4 is a right side elevational view thereof; FIG. 5 is a left side elevational view thereof; and FIG. 6 is a rear elevational view thereof; and, FIG. 7 is a top elevational view thereof.

1 Claim, 3 Drawing Sheets



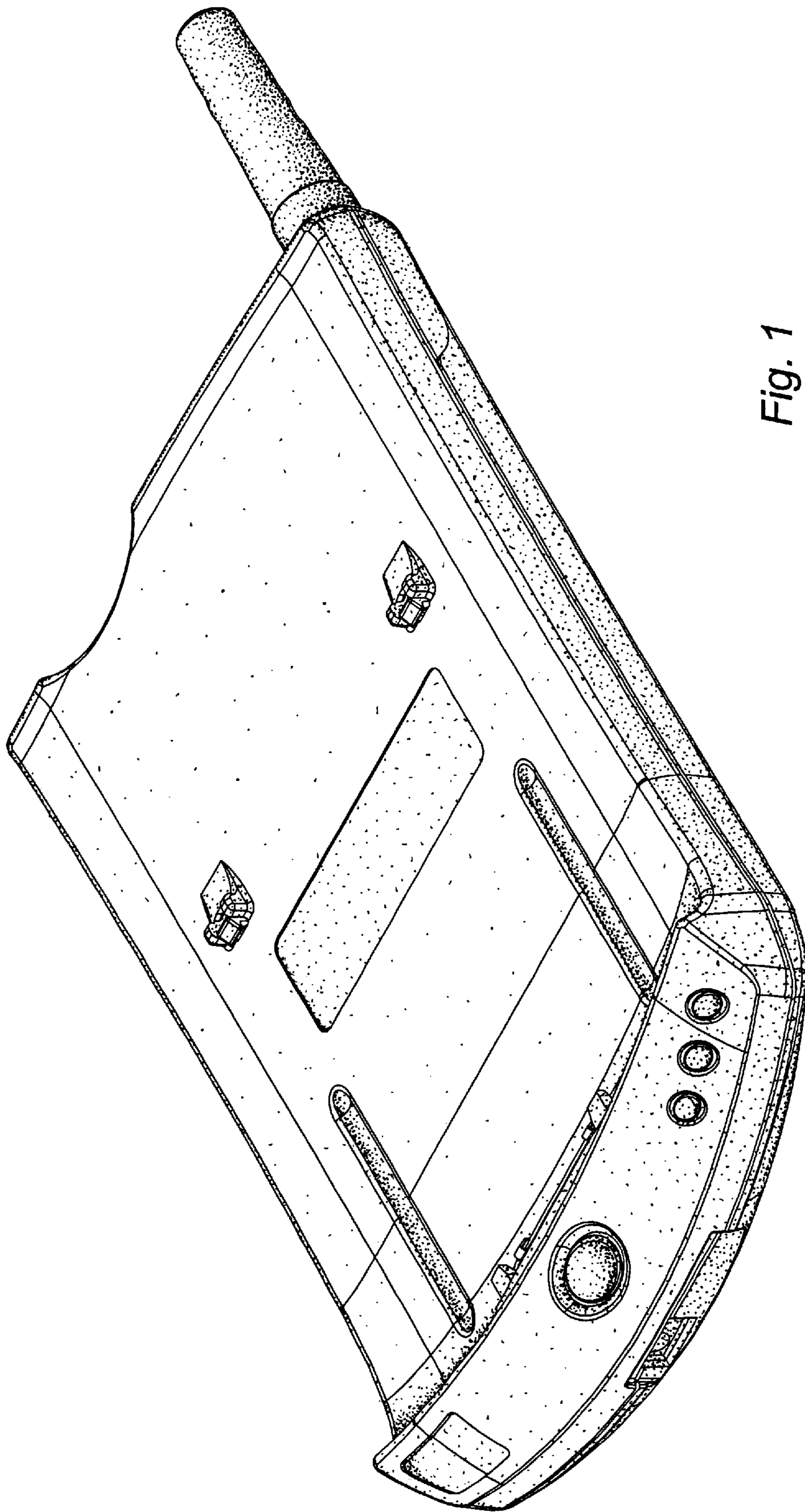


Fig. 1

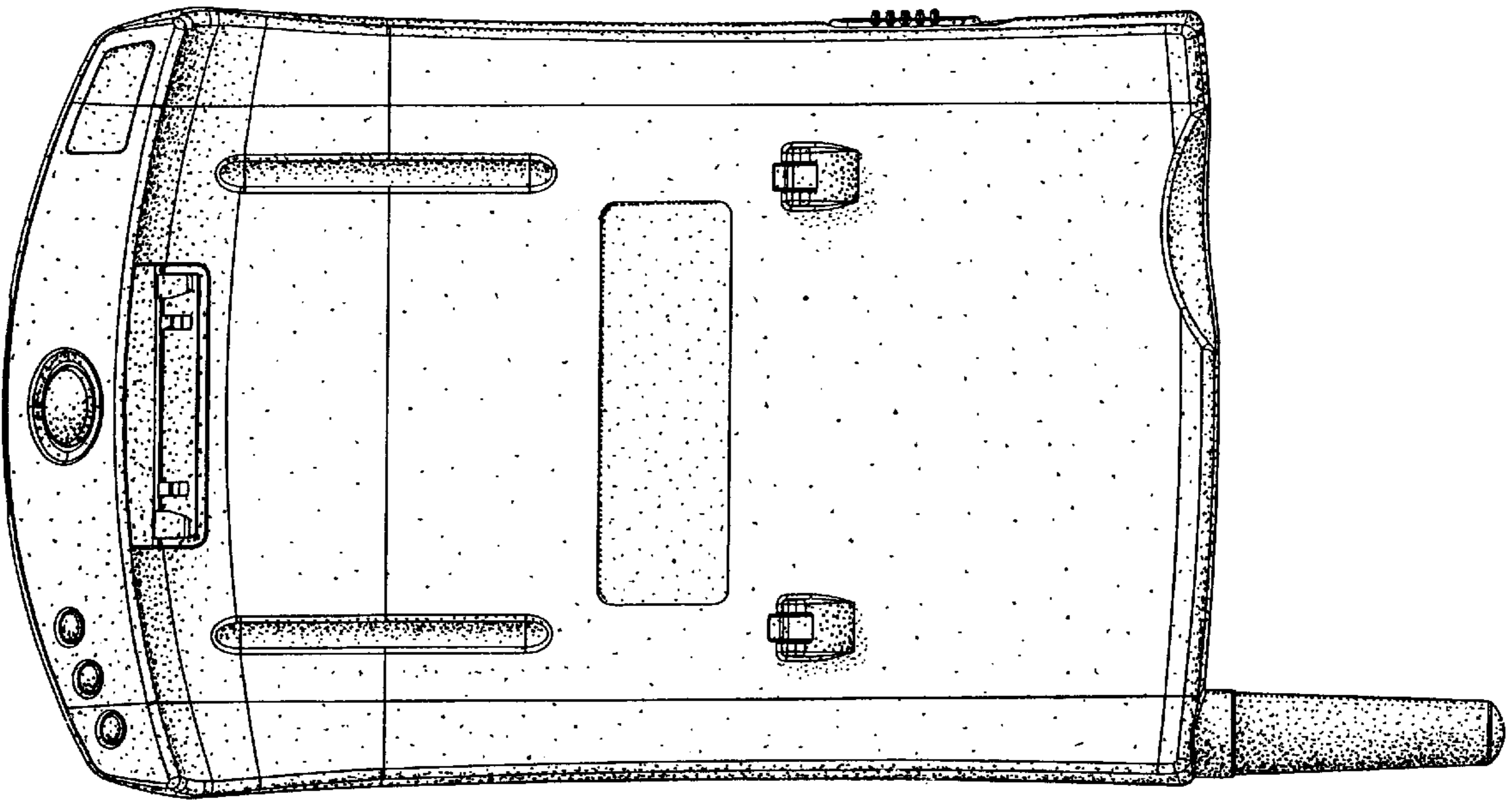


Fig. 2

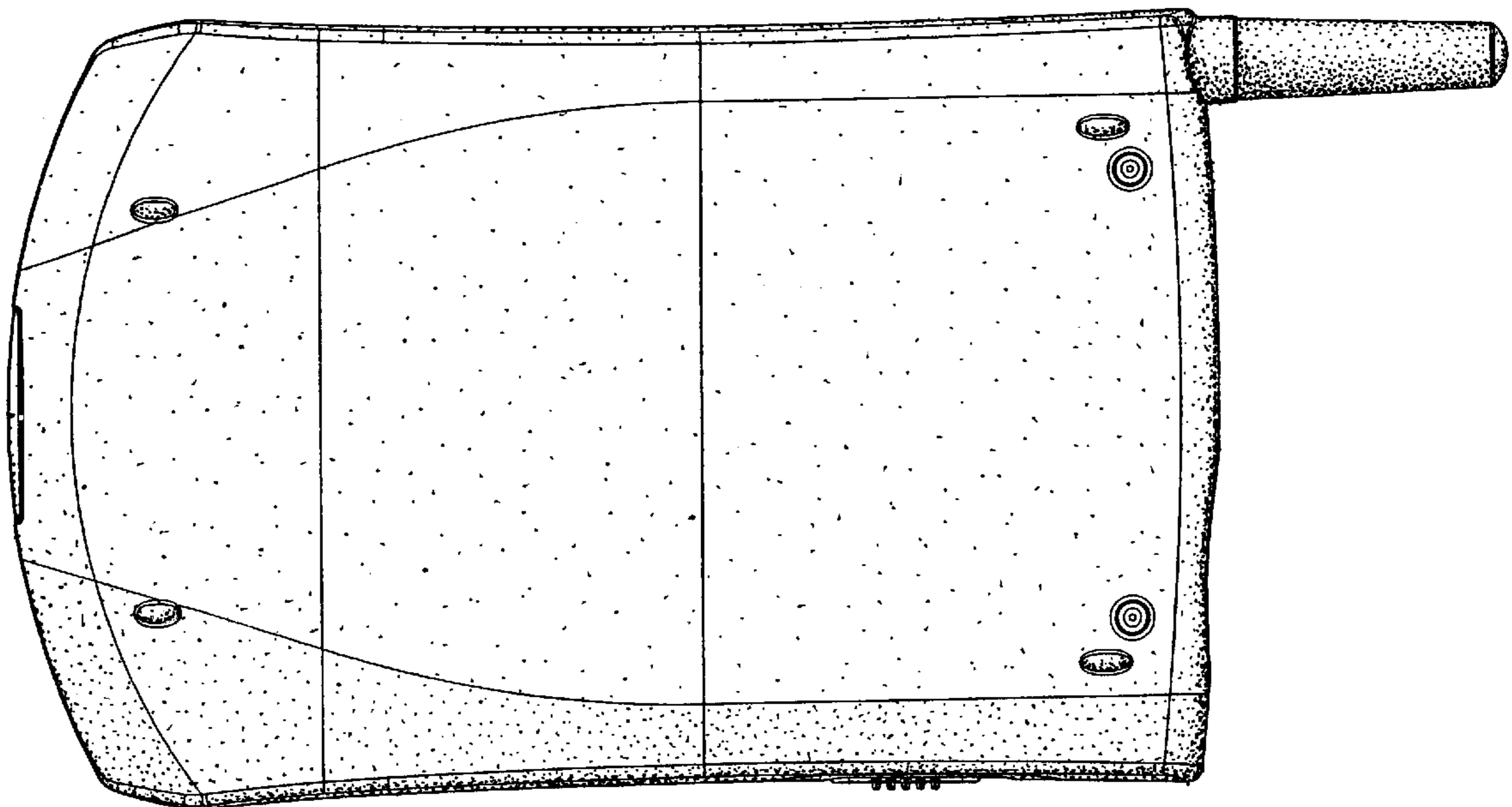


Fig. 3

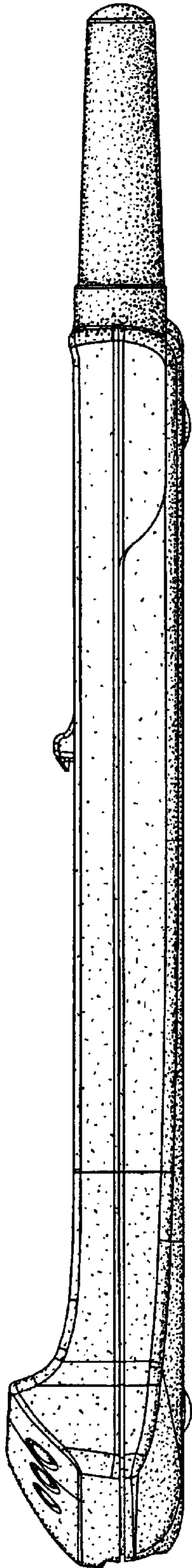


Fig. 4

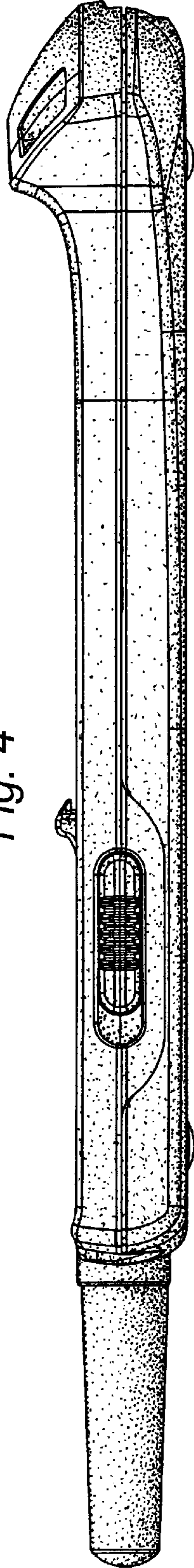


Fig. 5

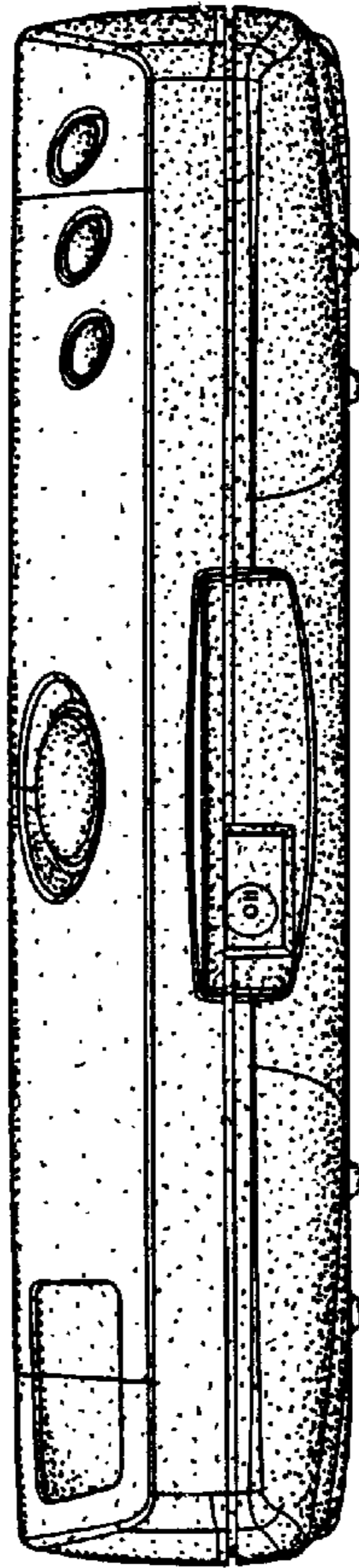


Fig. 6

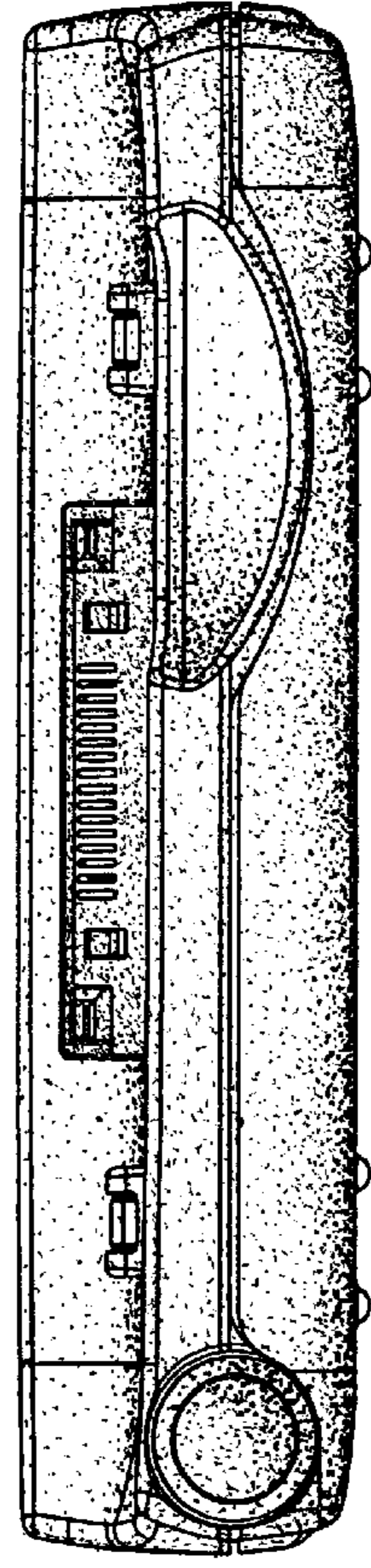


Fig. 7