



US00D454861S

(12) **United States Design Patent**
Jones et al.

(10) **Patent No.: US D454,861 S**

(45) **Date of Patent: ** *Mar. 26, 2002**

(54) **ANTENNA**

D379,991 S * 6/1997 Chu D14/230
5,933,116 A 8/1999 Suesada et al. 343/702
5,973,652 A 10/1999 Sanford et al. 343/781

(75) Inventors: **Jeffrey L. Jones**, Orem; **Ryan A. Kunz**, Roy; **David Andrus**, Provo; **Sy Prestwich**, West Jordan; **John Marshall**, Provo, all of UT (US)

* cited by examiner

(73) Assignee: **3Com Corporation**, Santa Clara, CA (US)

Primary Examiner—Louis S. Zarfaz
Assistant Examiner—Gregory Andoll
(74) *Attorney, Agent, or Firm*—Kirton & McConkie; Michael F. Krieger

(*) Notice: This patent is subject to a terminal disclaimer.

(57) **CLAIM**

(**) Term: **14 Years**

The ornamental design for an antenna, as shown and described.

(21) Appl. No.: **29/117,243**

DESCRIPTION

(22) Filed: **Jan. 20, 2000**

FIG. 1 is a right perspective view of the antenna;
FIG. 2 is a right side view of the antenna;
FIG. 3 is a left side view of the antenna;
FIG. 4 is a front elevational view of the antenna;
FIG. 5 is a rear elevational view of the antenna;
FIG. 6 is a top plan view of the antenna; and,
FIG. 7 is a bottom plan view of the antenna.
The broken lines in the Figures are for illustrative purposes only and form no part of the claimed design.

(51) **LOC (7) Cl.** **14-03**

(52) **U.S. Cl.** **D14/230**

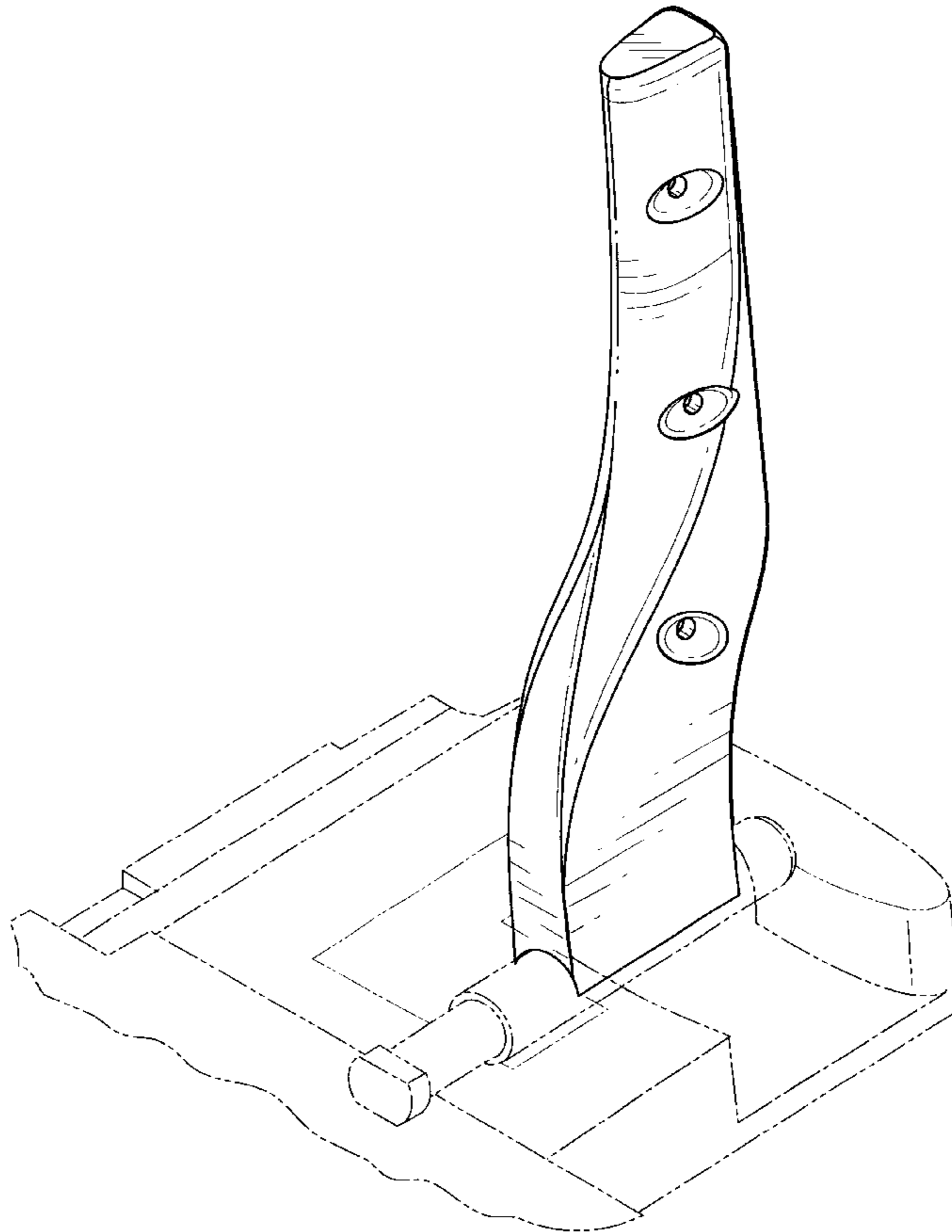
(58) **Field of Search** D14/230-238,
D14/299; 343/715, 900

(56) **References Cited**

U.S. PATENT DOCUMENTS

D320,394 S * 10/1991 Cooper D14/230
D431,558 S * 10/1991 Winstead et al. D14/230

1 Claim, 3 Drawing Sheets



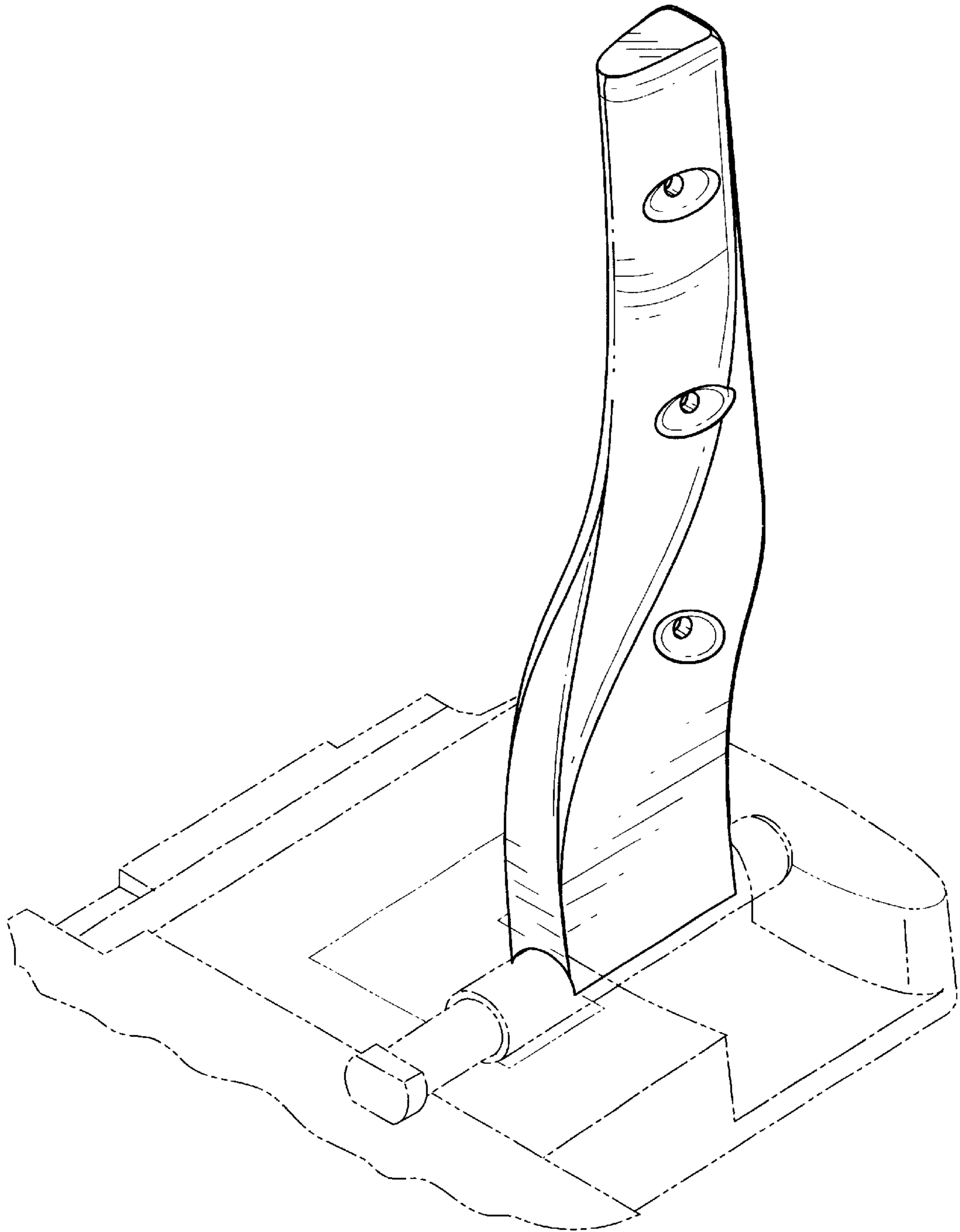


FIG. 1

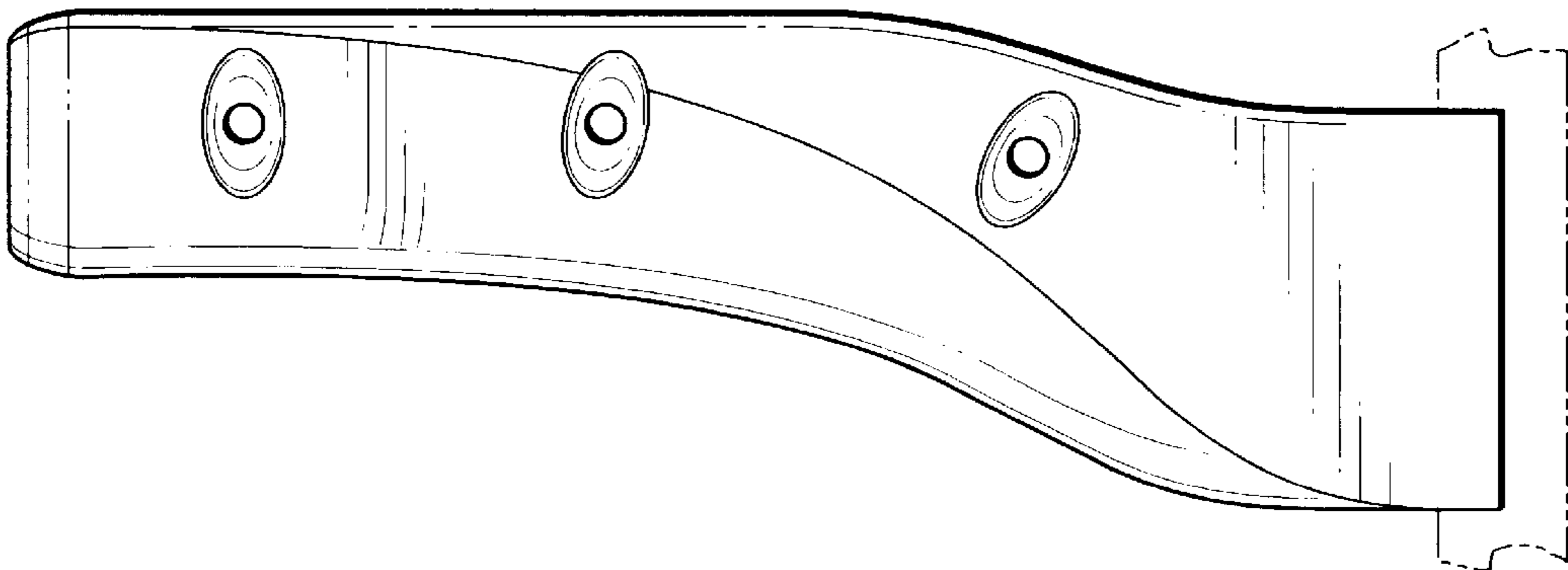


FIG. 2

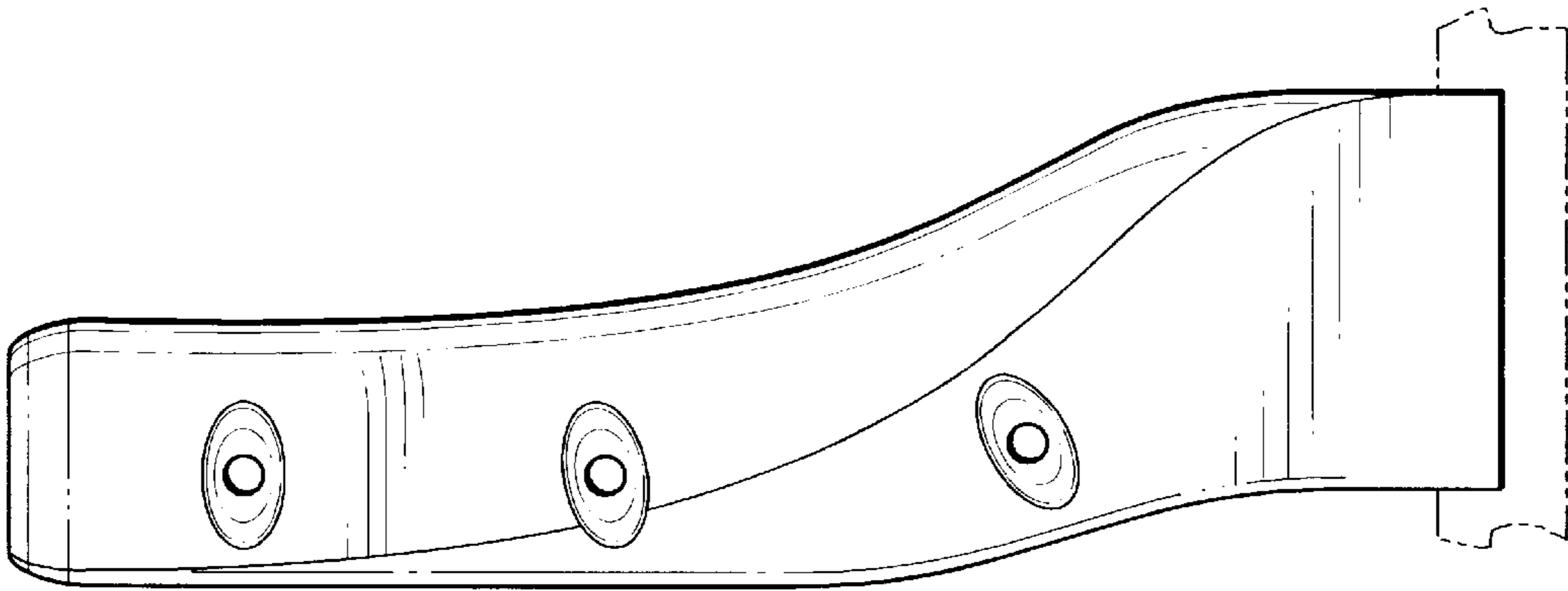


FIG. 3

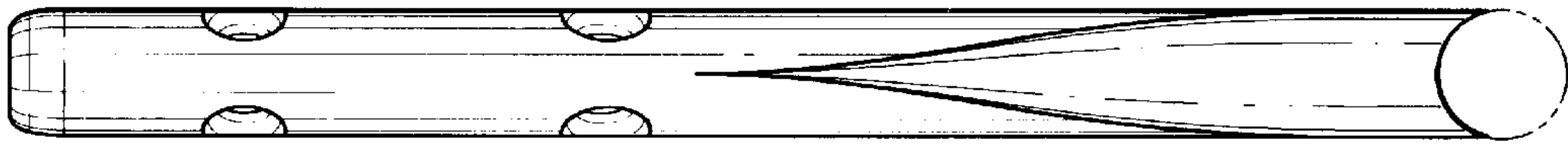


FIG. 4

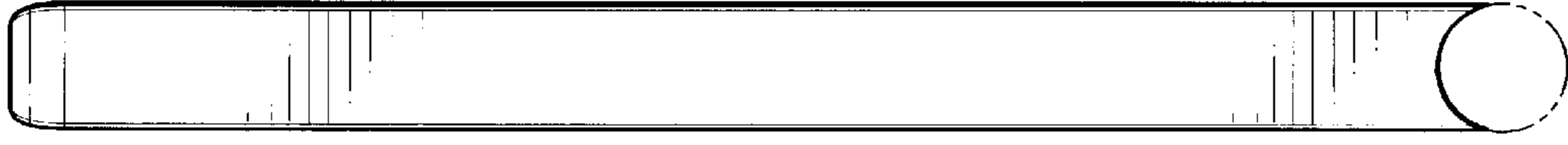


FIG. 5

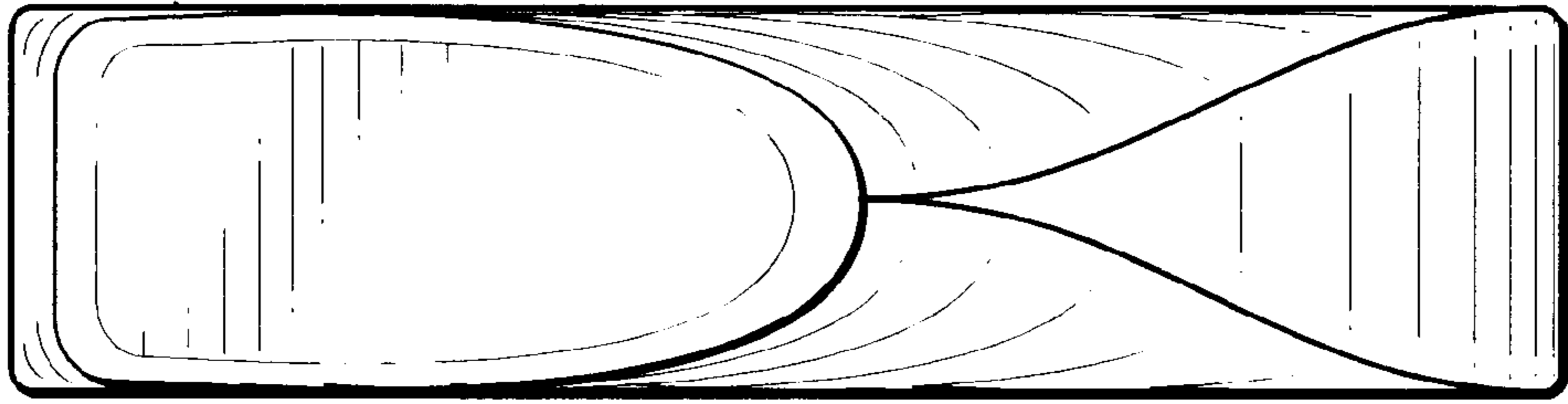


FIG. 6

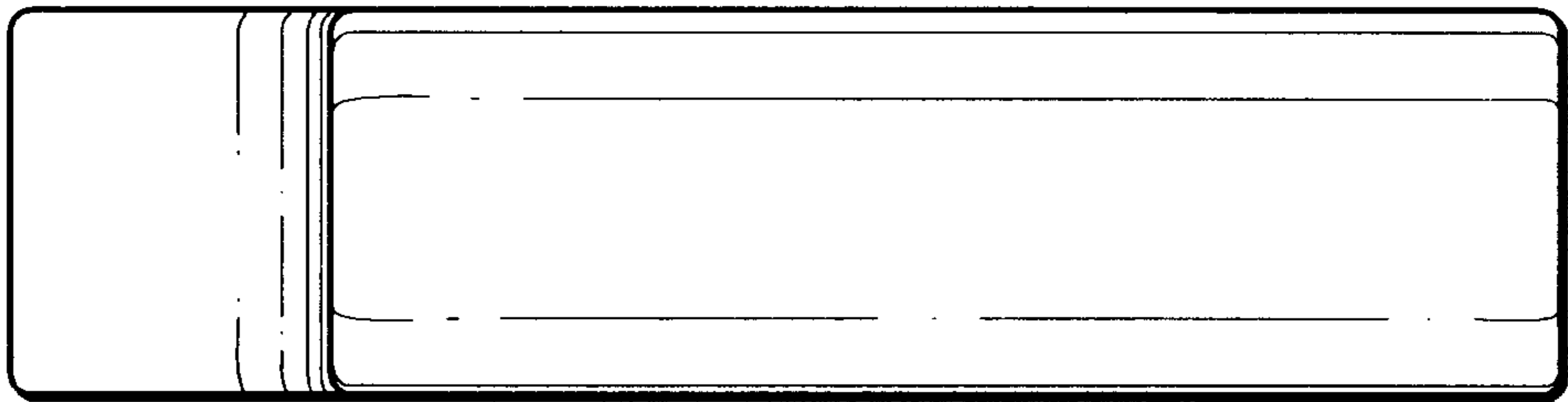


FIG. 7