



US00D454858S

(12) **United States Design Patent**
Chan

(10) **Patent No.:** **US D454,858 S**
(45) **Date of Patent:** **** Mar. 26, 2002**

(54) **TURNTABLE CABINET**

(75) Inventor: **Symon Chan**, Hong Kong (HK)

(73) Assignee: **Polyconcept USA, Inc.**, Stamford, CT (US)

(**) Term: **14 Years**

(21) Appl. No.: **29/147,153**

(22) Filed: **Aug. 24, 2001**

(51) **LOC (7) Cl.** **14-01**

(52) **U.S. Cl.** **D14/199**

(58) **Field of Search** D14/168-170,
D14/172-176, 183-184, 188-189, 194-204,
208, 210, 214, 217, 219, 257, 265; 455/347,
350-351

(56) **References Cited**

U.S. PATENT DOCUMENTS

D50,363 S	*	2/1917	Sheble	D14/200
D51,219 S		8/1917	Wolff		
D62,340 S		5/1923	Perrault et al.		
D64,780 S		5/1924	Warfield		
D67,451 S		6/1925	Gernsback		
D71,849 S		1/1927	Reichmann		
D73,769 S		11/1927	Ackerman		
D84,338 S		6/1931	Herlihy		
D95,395 S		4/1935	Ansley		
D99,148 S	*	3/1936	Vandenbraak	D14/194
D101,063 S		9/1936	Nash		
D101,064 S		9/1936	Nash		

D101,087 S		9/1936	Nash		
D111,598 S	*	10/1938	Fuller	D14/199
D150,252 S		7/1948	Platt		
D182,854 S		5/1958	Sallust		
D442,573 S		5/2001	Ito et al.		
D442,937 S		5/2001	Ito et al.		

OTHER PUBLICATIONS

Color Photos of Thomas Pacconi Classics, Inc.—Turntables—5 Pgs.

Bl. & Wh. Photos of Turntables—www.crosley-radio.com—5 Pgs.

* cited by examiner

Primary Examiner—Nanda Bondade

(74) *Attorney, Agent, or Firm*—Notaro & Michalos P.C.

(57) **CLAIM**

The ornamental design for a turntable cabinet, as shown and described.

DESCRIPTION

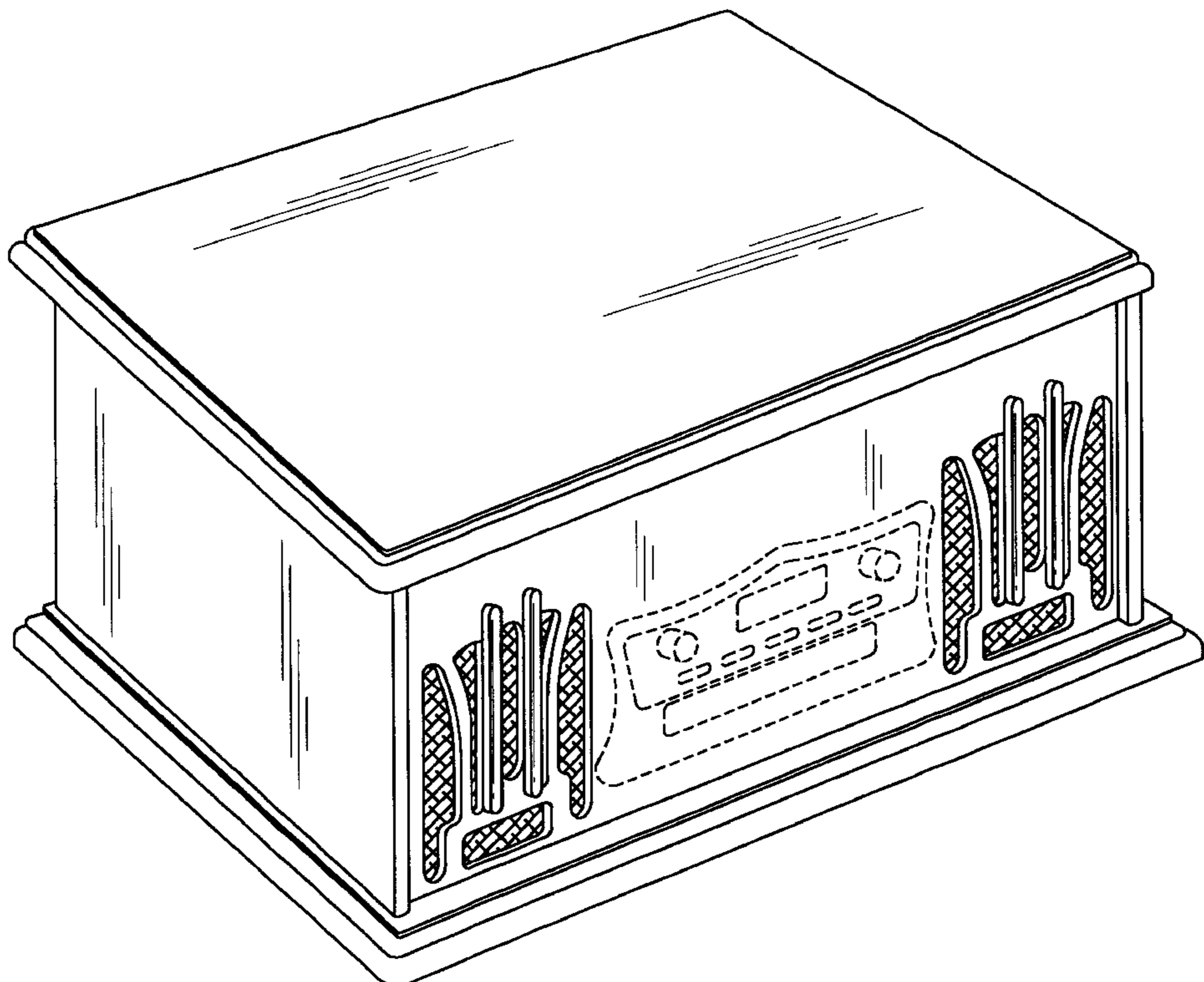
FIG. 1 is a front elevational view of a turntable cabinet showing my new design;

FIG. 2 is a left side elevational view thereof, the right side view being a mirror image;

FIG. 3 is a top, left and front perspective view thereof; and, FIG. 4 is a rear elevational view thereof.

The broken lines showing in FIGS. 1-4 are for illustrative purposes only and form no part of the claimed design.

1 Claim, 3 Drawing Sheets



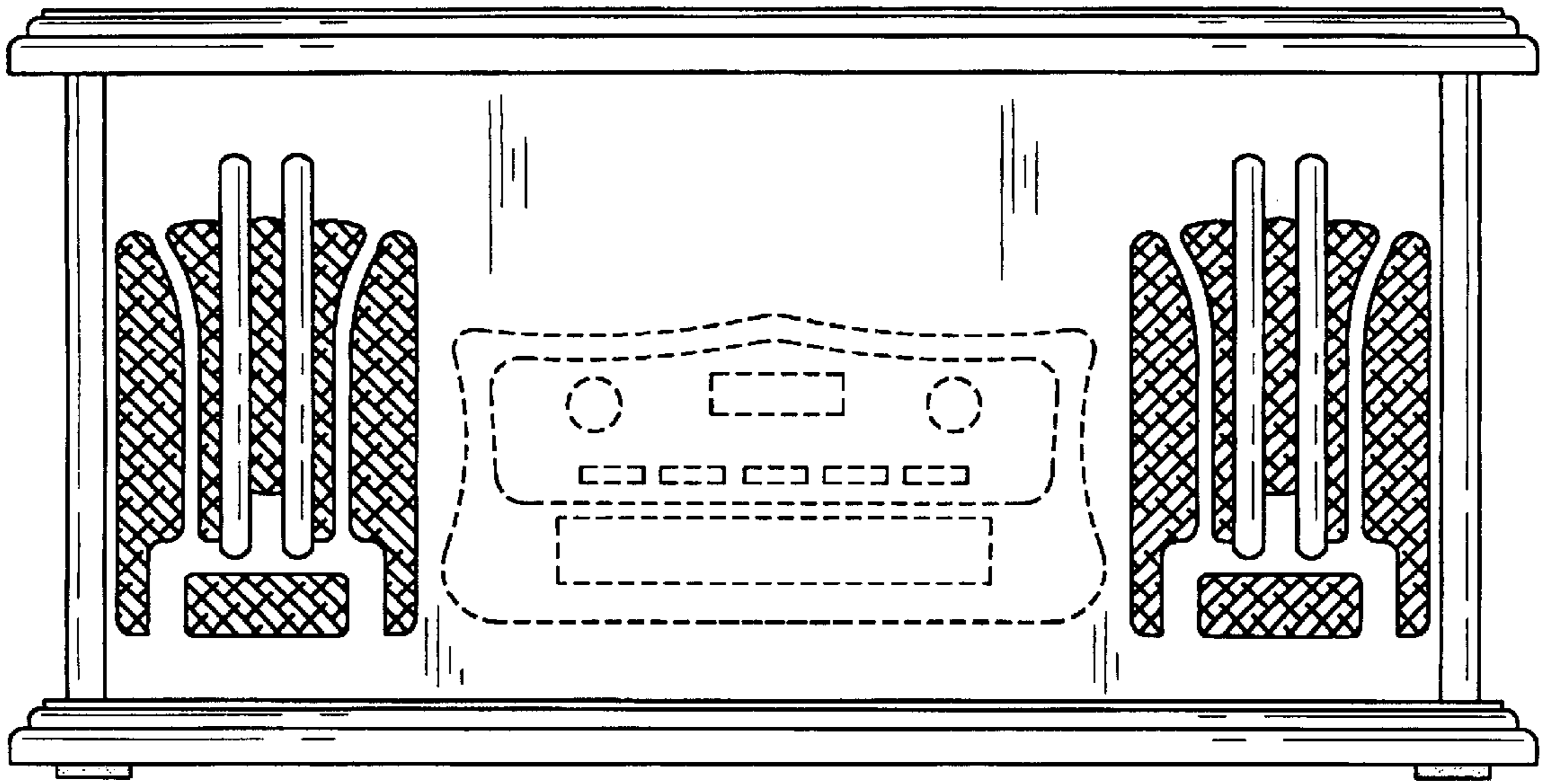


FIG. 1

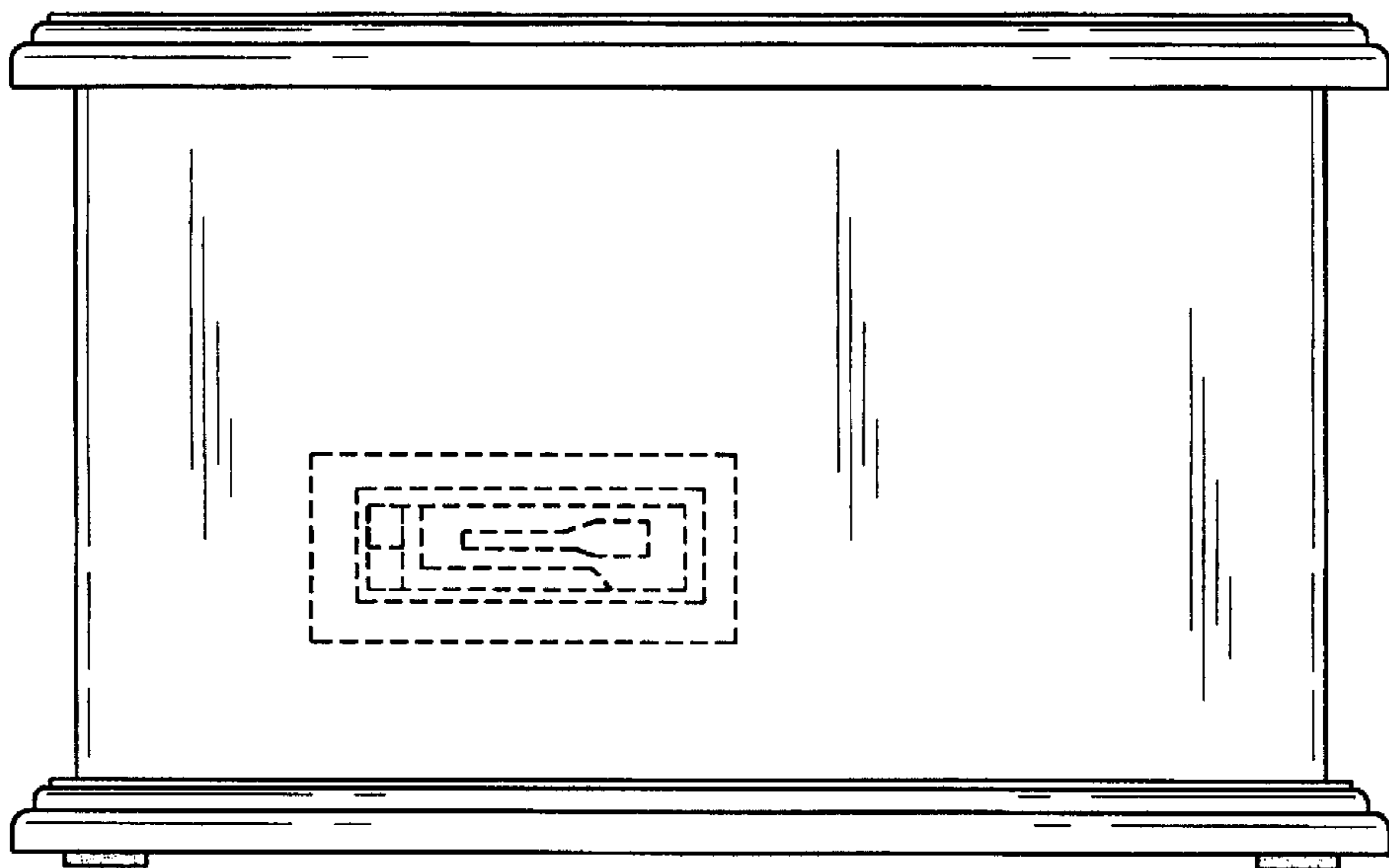


FIG. 2

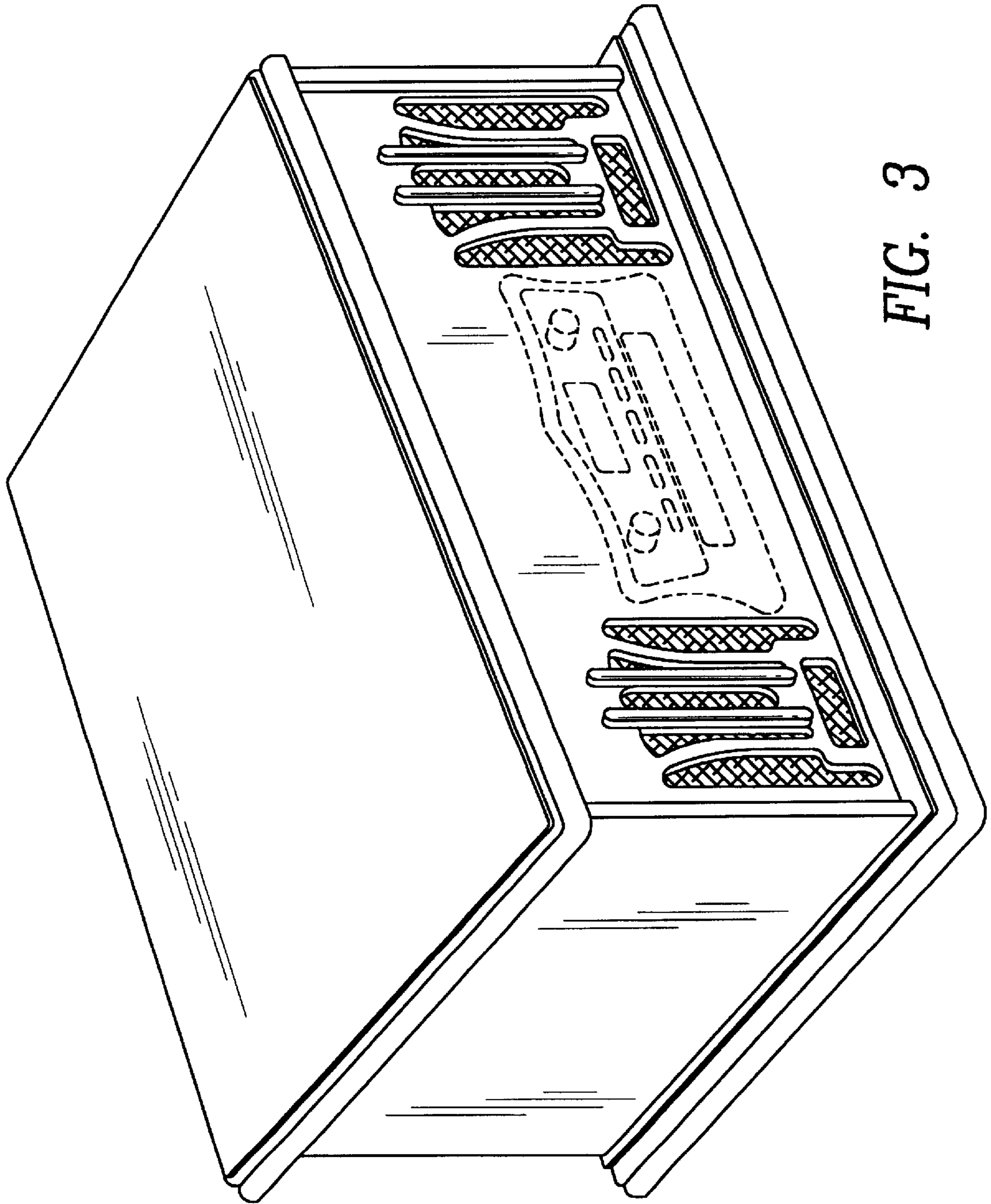


FIG. 3

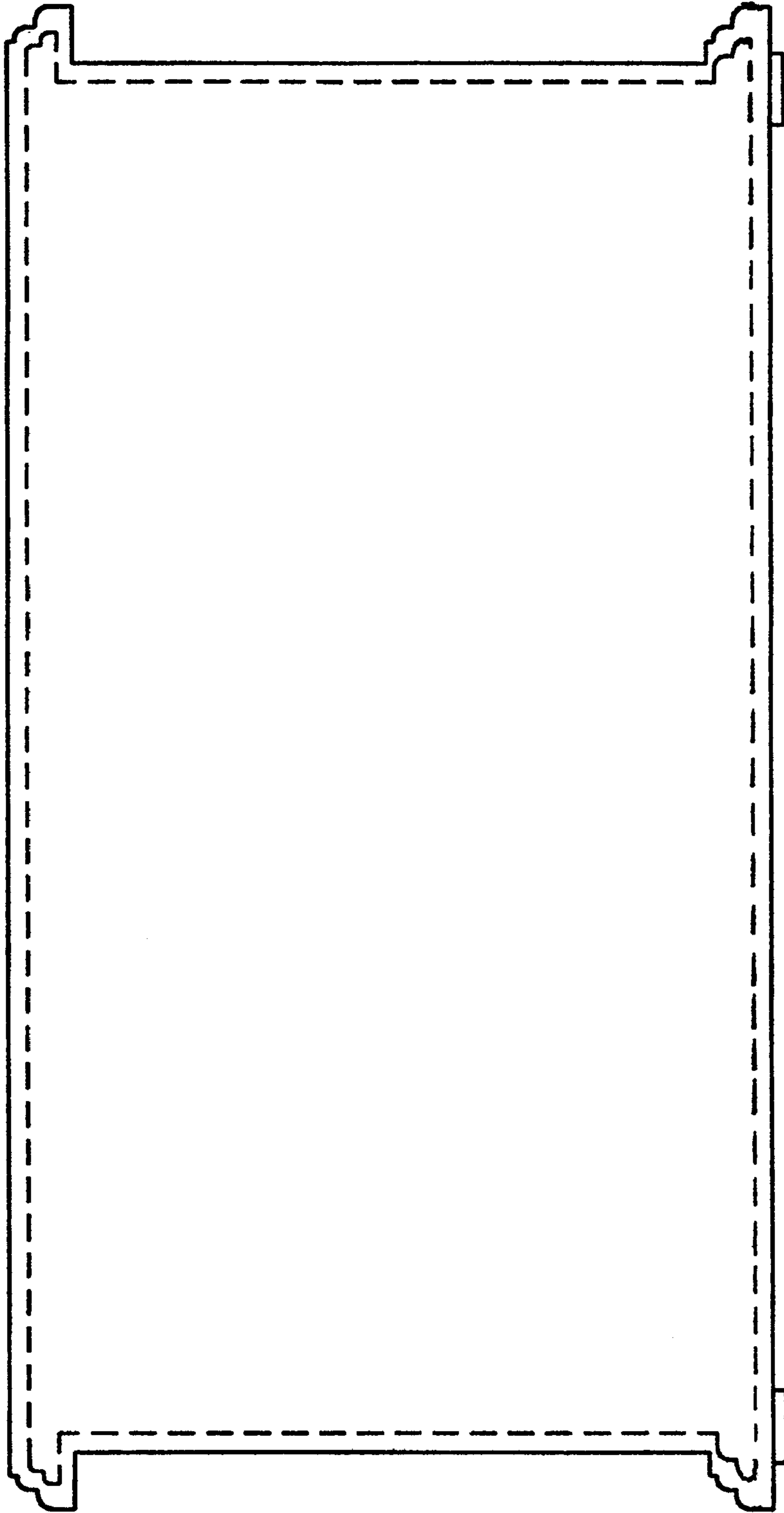


FIG. 4