



US00D454854S

(12) **United States Design Patent**  
**Yamashita et al.**

(10) **Patent No.:** **US D454,854 S**

(45) **Date of Patent:** **\*\* Mar. 26, 2002**

(54) **DATA RECORDER**

(75) Inventors: **Norio Yamashita; Makoto Tani**, both of Musashino (JP); **Frank J McNeal; Douglas R Philips**, both of Montebello, CA (US); **Ron Holder**, Irvine, CA (US)

(73) Assignee: **TEAC Corporation**, Tokyo (JP)

(\*\*) Term: **14 Years**

(21) Appl. No.: **29/134,915**

(22) Filed: **Jan. 2, 2001**

(51) **LOC (7) Cl.** ..... **14-02**

(52) **U.S. Cl.** ..... **D14/167; D14/356**

(58) **Field of Search** ..... D14/356-358,  
D14/361, 363, 156, 164, 367, 370, 167;  
D13/162, 184, 199; 312/223.1-223.3; 360/99.01-99.12;  
361/690-696

(56) **References Cited**

**U.S. PATENT DOCUMENTS**

D305,426 S \* 1/1990 Doi ..... D14/358

D315,905 S \* 4/1991 Ito et al. .... D14/156

D339,586 S \* 9/1993 Ito et al. .... D14/164

D431,032 S \* 9/2000 Sasago ..... D14/167

\* cited by examiner

*Primary Examiner*—Freda Nunn

(74) *Attorney, Agent, or Firm*—Ladas & Parry

(57) **CLAIM**

The ornamental design for a data recorder, as shown and described.

**DESCRIPTION**

FIG. 1 is a perspective view of a data recorder showing our new design;

FIG. 2 is a top view thereof;

FIG. 3 is a front view thereof;

FIG. 4 is a bottom view thereof;

FIG. 5 is a rear view thereof;

FIG. 6 is a left side view thereof; and,

FIG. 7 is a right side view thereof.

**1 Claim, 4 Drawing Sheets**

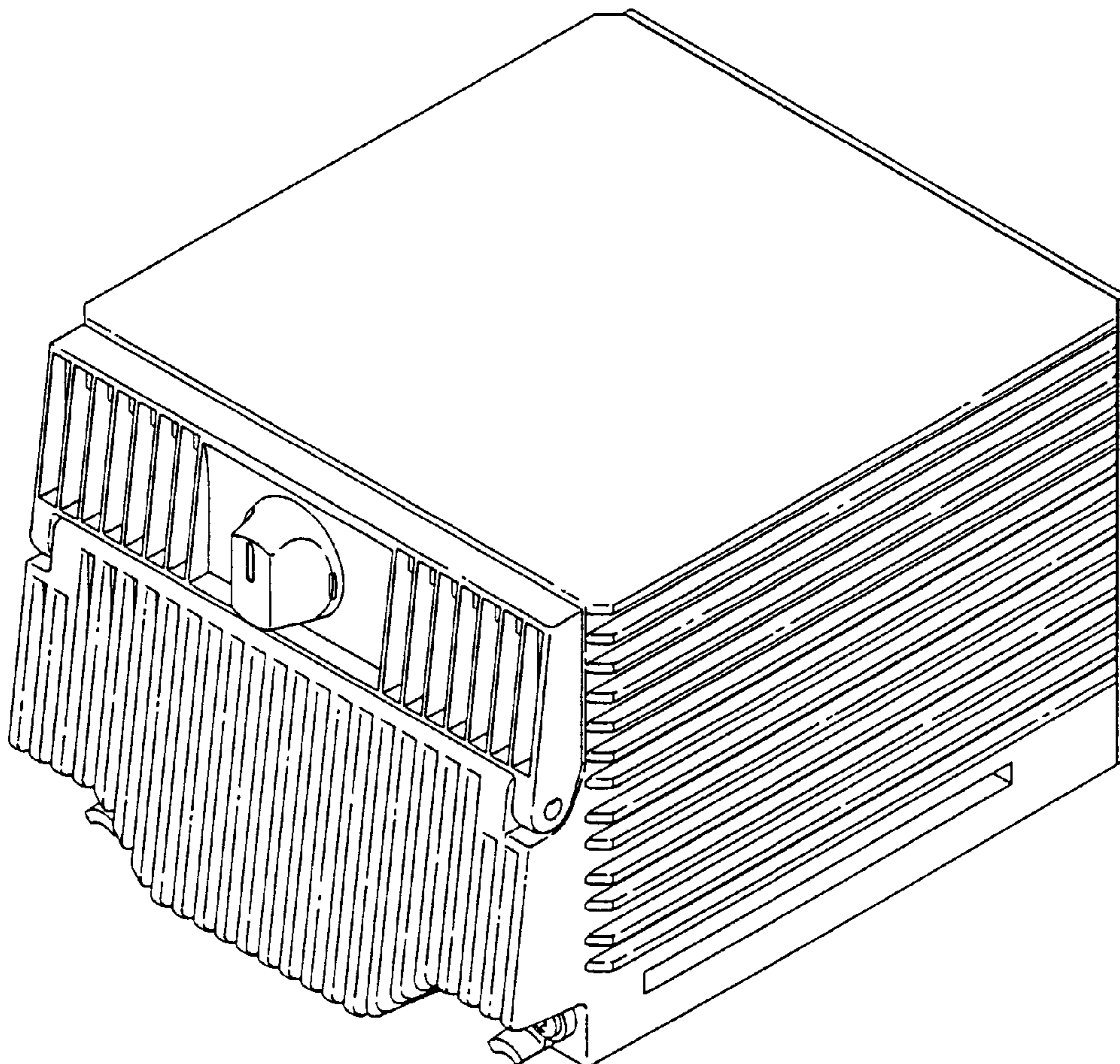


FIG. 1.

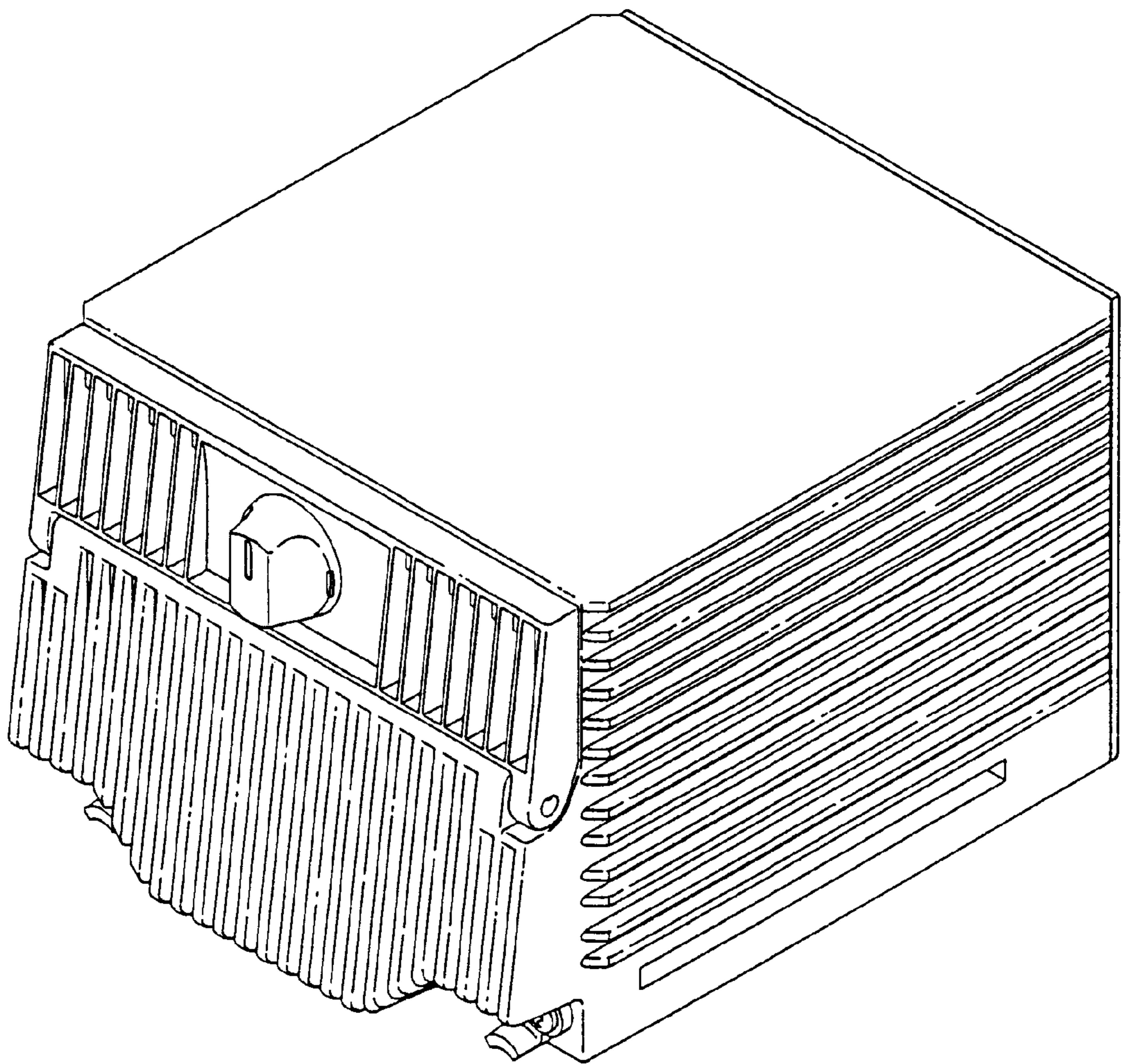


FIG. 2

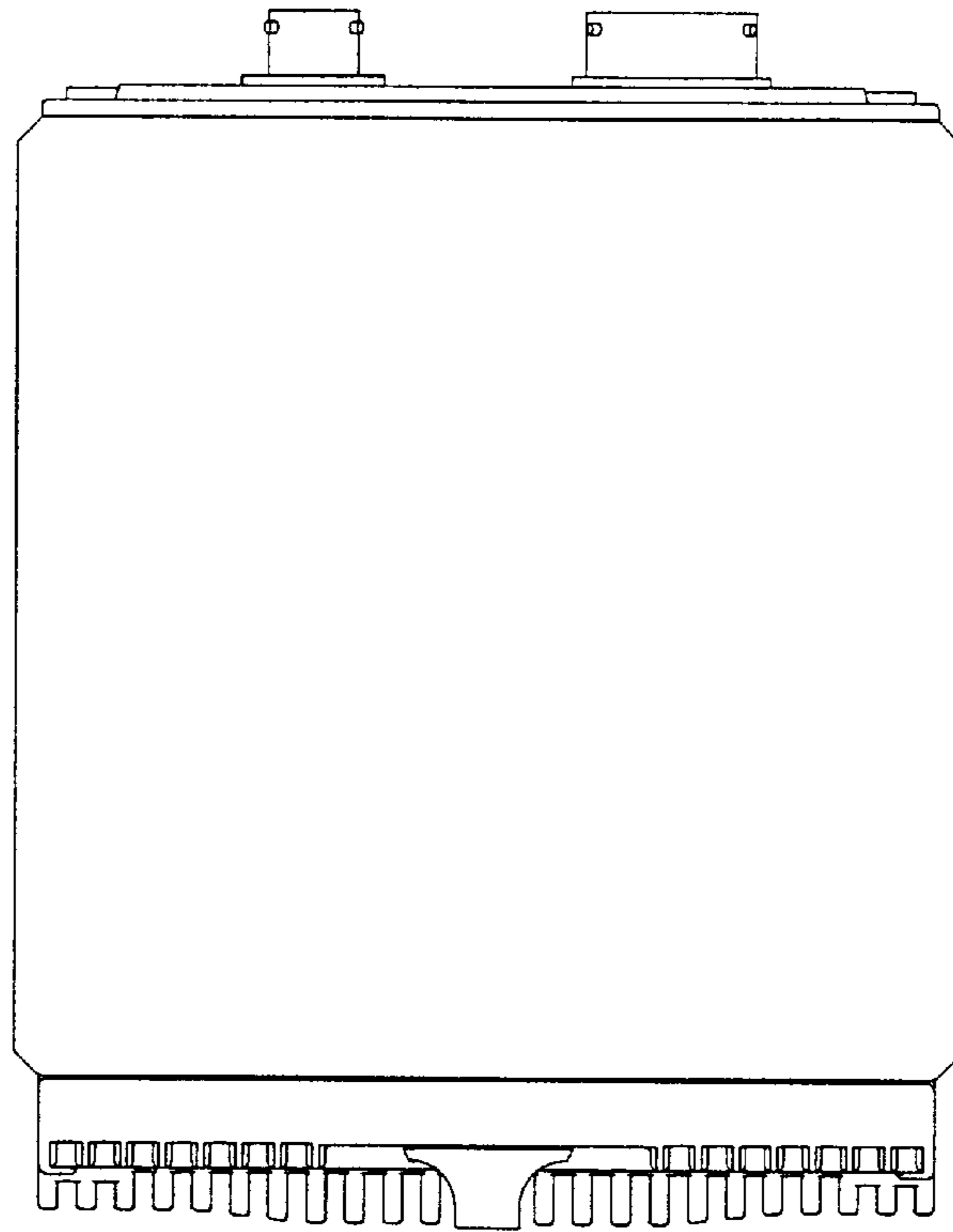


FIG. 3

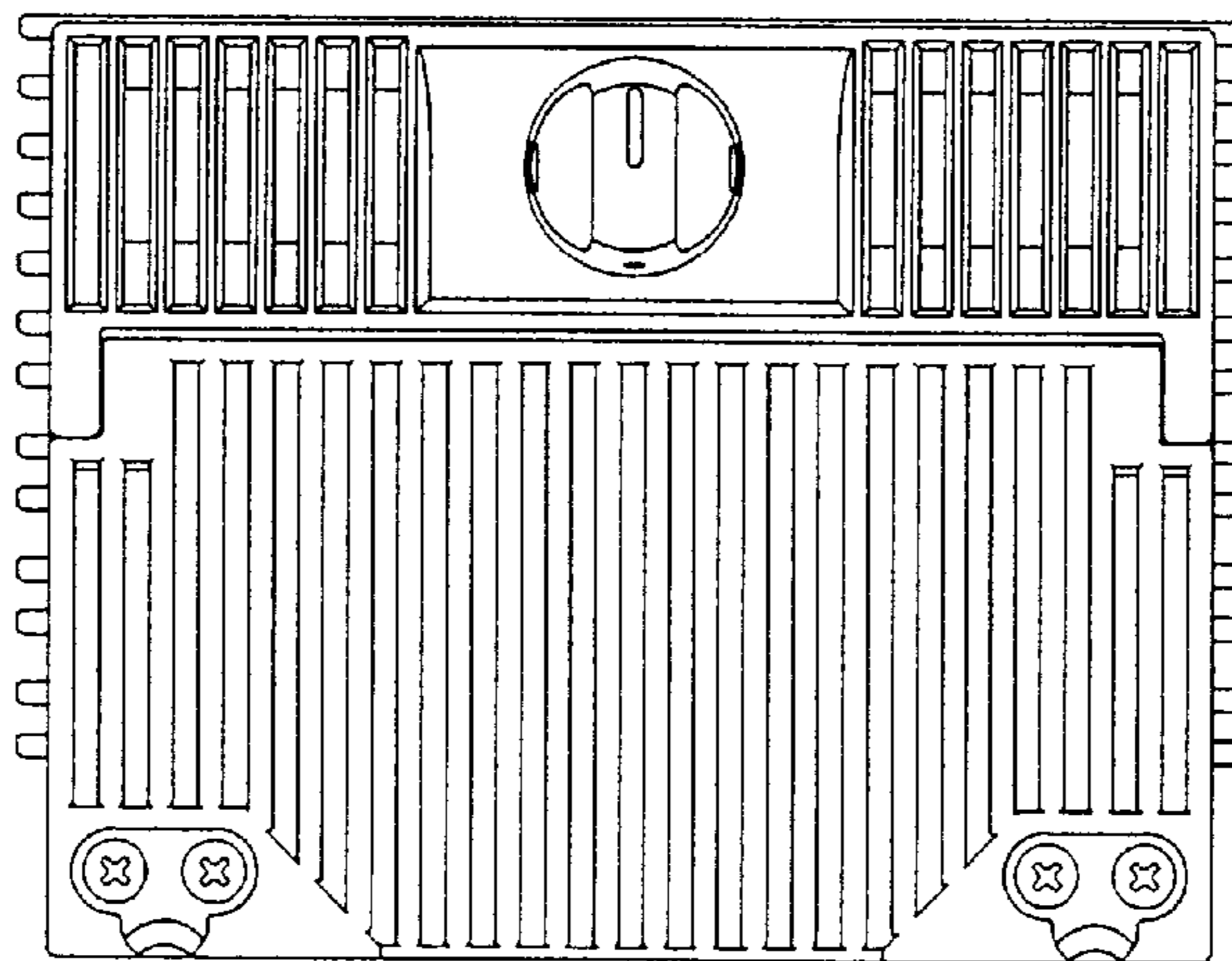


FIG. 4

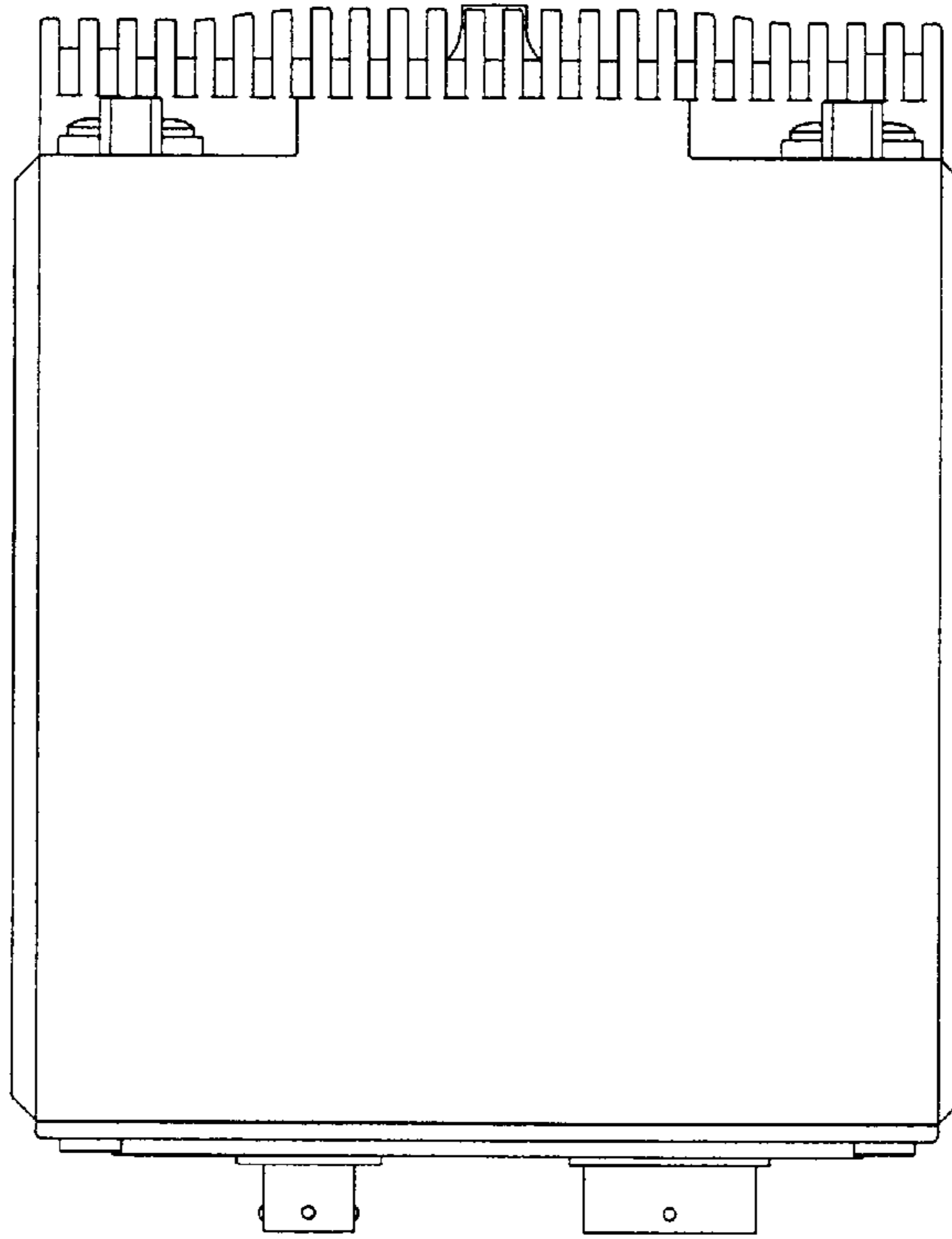


FIG. 5

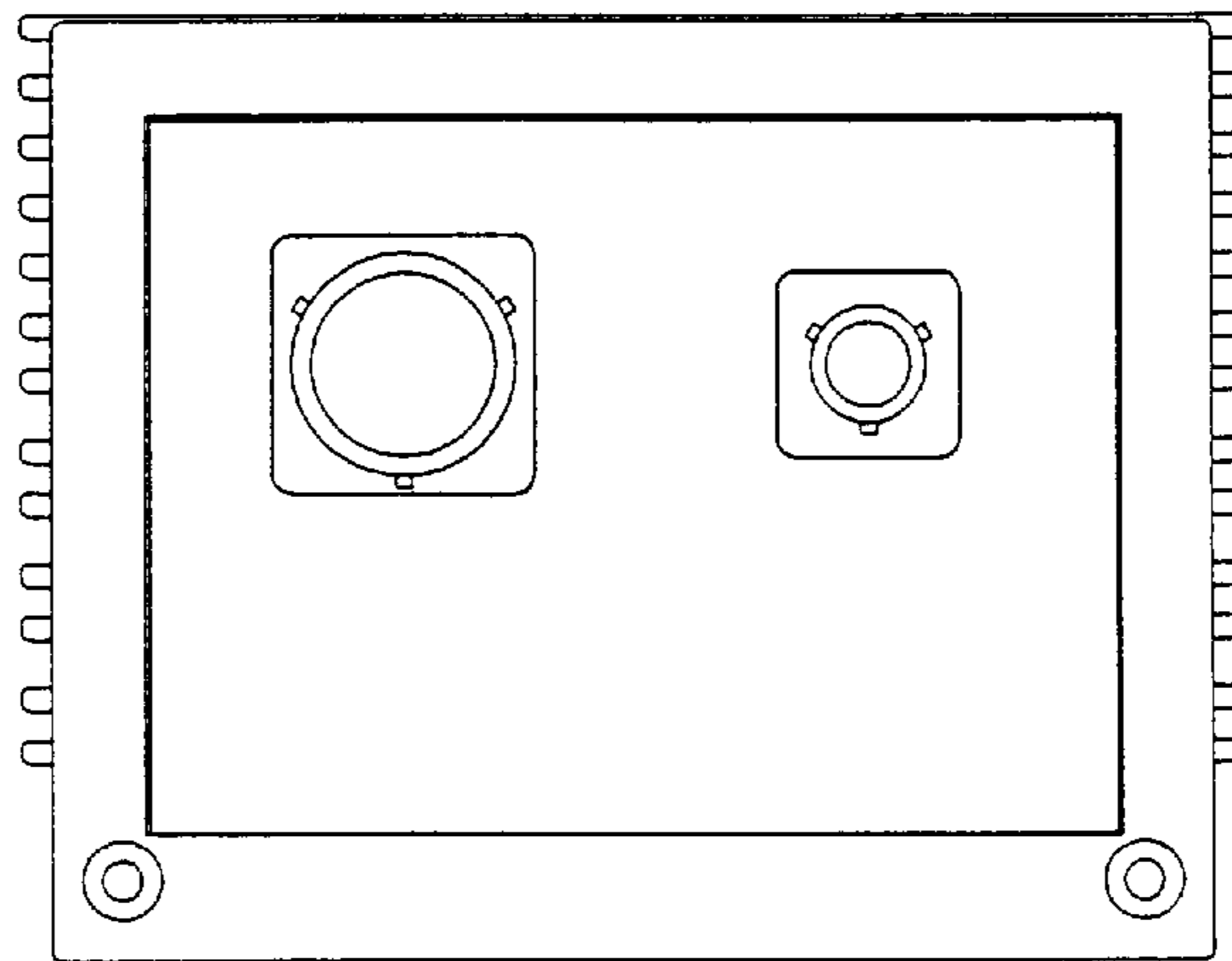


FIG. 6

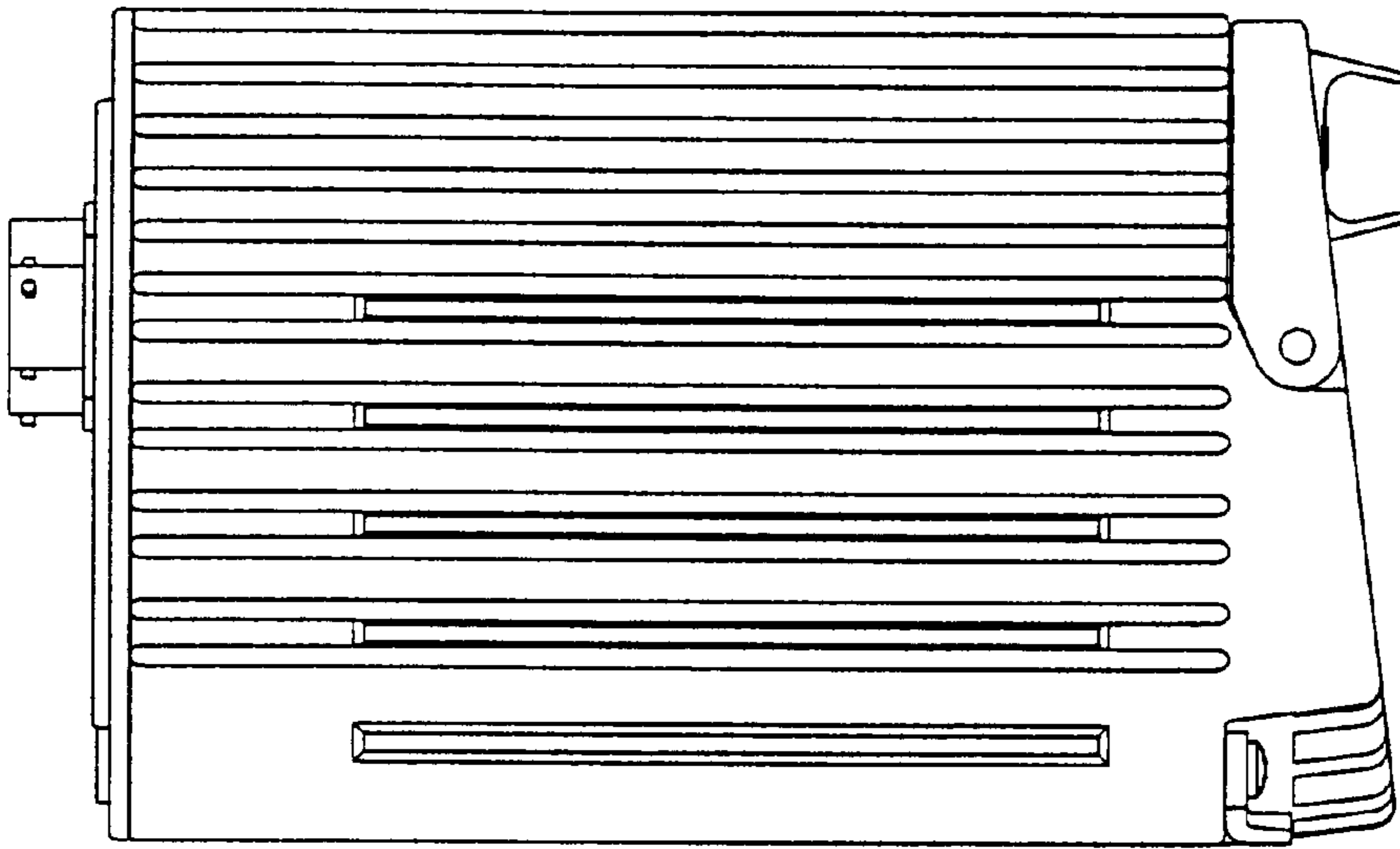


FIG. 7

