



US00D454848S

(12) **United States Design Patent**  
**Bumgardner**

(10) **Patent No.:** **US D454,848 S**

(45) **Date of Patent:** **\*\* Mar. 26, 2002**

(54) **WIRELESS PHONE WITH MICRODISPLAY**

(75) Inventor: **Rodney Bumgardner**, Los Gatos, CA (US)

(73) Assignee: **Kopin Corporation**, Taunton, MA (US)

(\*\*) Term: **14 Years**

(21) Appl. No.: **29/126,265**

(22) Filed: **Jul. 12, 2000**

(51) **LOC (7) Cl.** ..... **14-03**

(52) **U.S. Cl.** ..... **D14/138**

(58) **Field of Search** ..... D14/137, 138,  
D14/218, 147-148, 247-248, 144, 341-347;  
379/433.434, 419, 420, 428, 440; 455/550-575,  
90

(56) **References Cited**

**U.S. PATENT DOCUMENTS**

D297,735 S	*	9/1988	Soren et al.	.....	D14/147
5,335,276 A	*	8/1994	Thompson et al.	.....	380/21
D352,503 S	*	11/1994	Nagele	.....	D14/138
D366,463 S	*	1/1996	Ive et al.	.....	D14/100
D369,598 S	*	5/1996	Nagele et al.	.....	D14/138
5,555,157 A	*	9/1996	Moller et al.	.....	361/683
D385,875 S	*	11/1997	Harris et al.	.....	D14/138
5,689,824 A	*	11/1997	Nagai	.....	16/232
5,867,795 A	*	2/1999	Novis et al.	.....	455/566
D408,030 S	*	4/1999	Richards et al.	.....	D14/138
5,923,750 A	*	7/1999	Enting et al.	.....	379/428
5,923,751 A	*	7/1999	Ohtsuka et al.	.....	379/433

D425,056 S	*	5/2000	Edwards et al.	.....	D14/138
6,073,034 A	*	6/2000	Jacobsen et al.	.....	455/566
6,141,540 A	*	10/2000	Richards et al.	.....	455/90
D435,837 S	*	1/2001	Suzuki et al.	.....	D14/138
D439,572 S	*	3/2001	Kang	.....	D14/138

\* cited by examiner

*Primary Examiner*—Jeffrey Asch

(74) *Attorney, Agent, or Firm*—Hamilton, Brook, Smith & Reynolds P.C.

(57) **CLAIM**

The ornamental design of the wireless phone with microdisplay, as shown and described.

**DESCRIPTION**

FIG. 1 is a top right perspective view of a wireless phone with microdisplay showing the new design with a top portion flipped open;

FIG. 2 is a top view of wireless phone with microdisplay with the top portion flipped open;

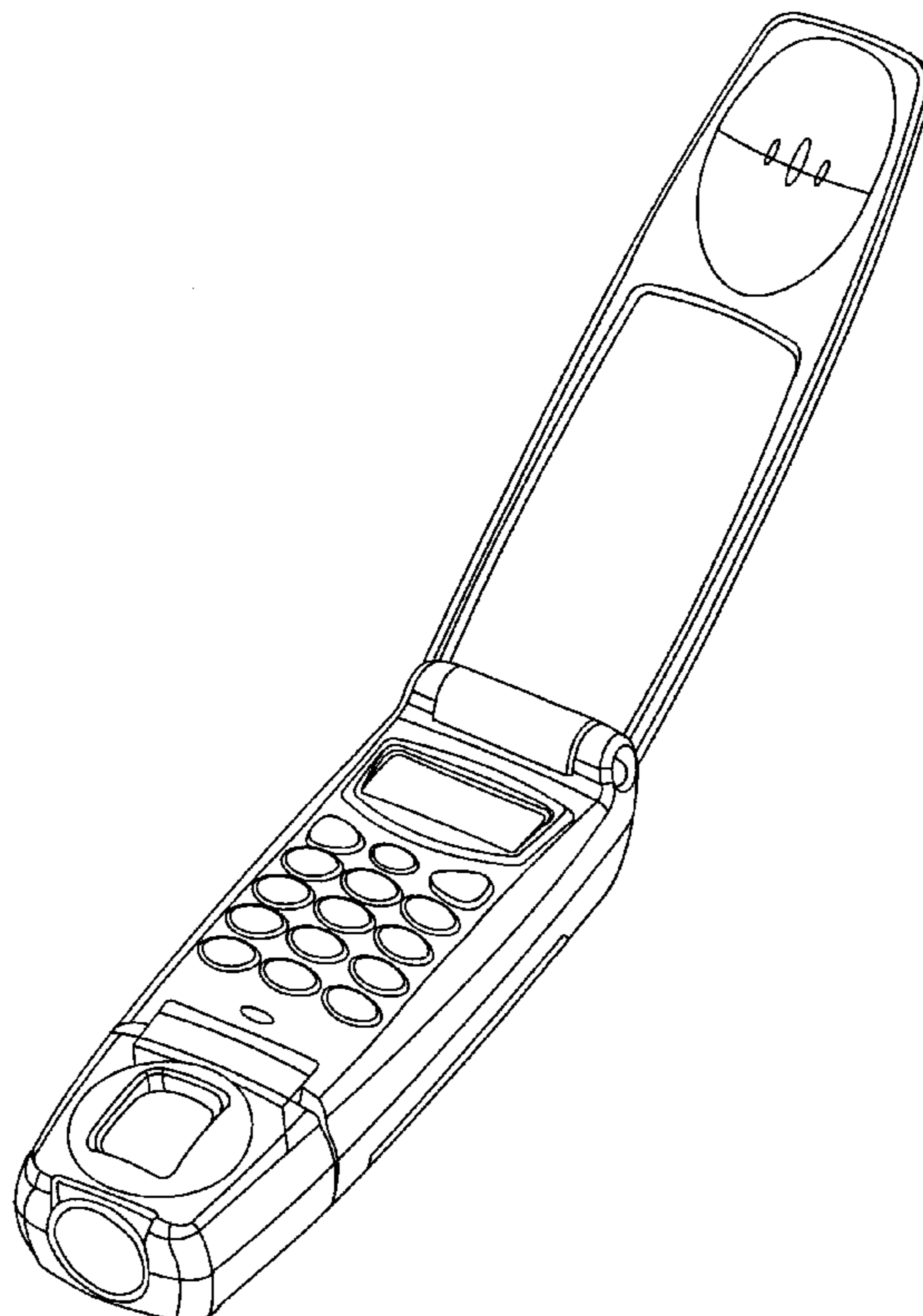
FIG. 3 is a right view of the wireless phone with microdisplay with the top portion flipped open;

FIG. 4 is a bottom view of the wireless phone with microdisplay with the top portion flipped open;

FIG. 5 is a bottom left perspective view of the wireless phone with microdisplay with the top portion flipped closed; and,

FIG. 6 is a top right front perspective view of a wireless phone with microdisplay with the top portion flipped open and a microdisplay unit rotated upward.

**1 Claim, 4 Drawing Sheets**



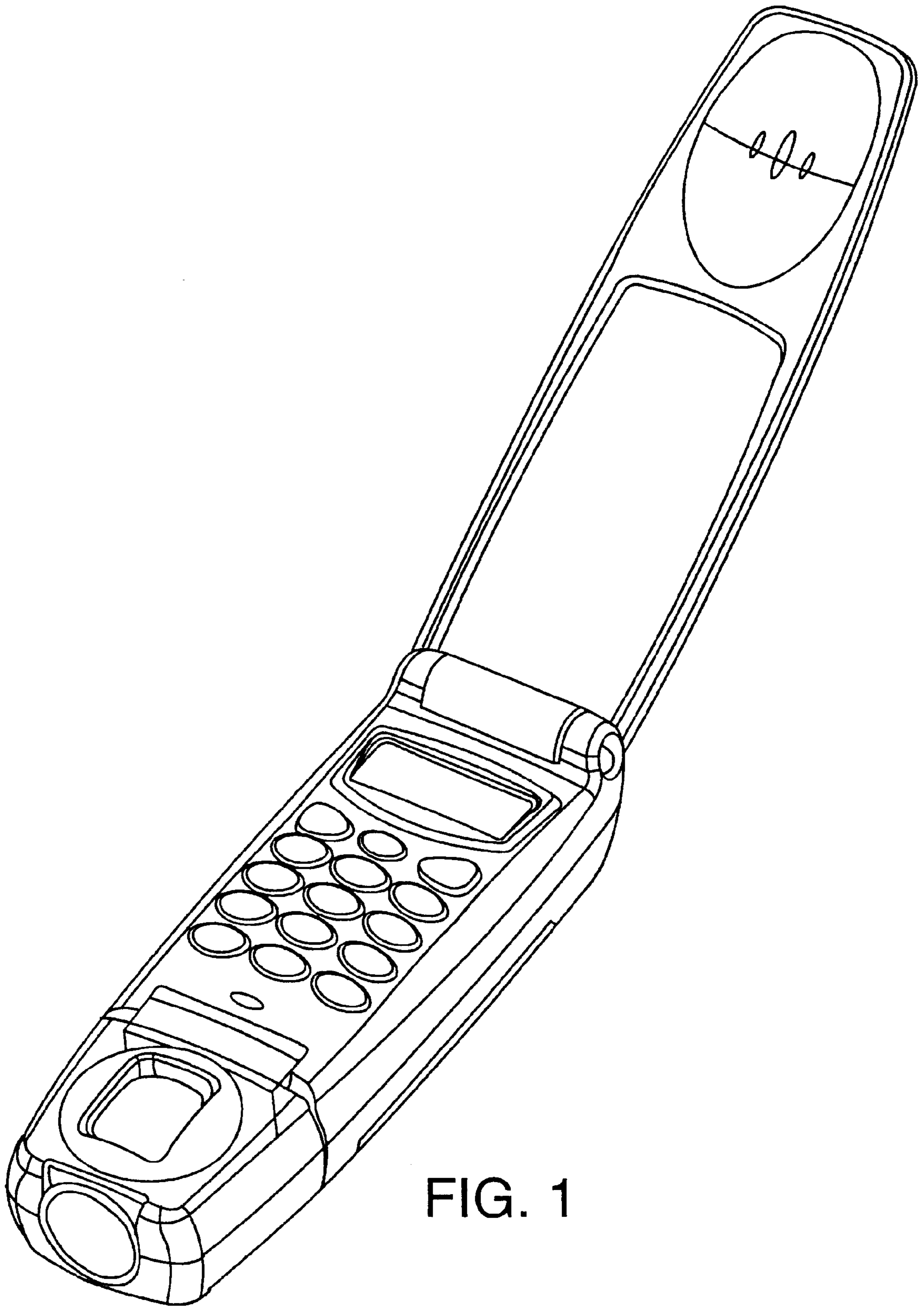


FIG. 1

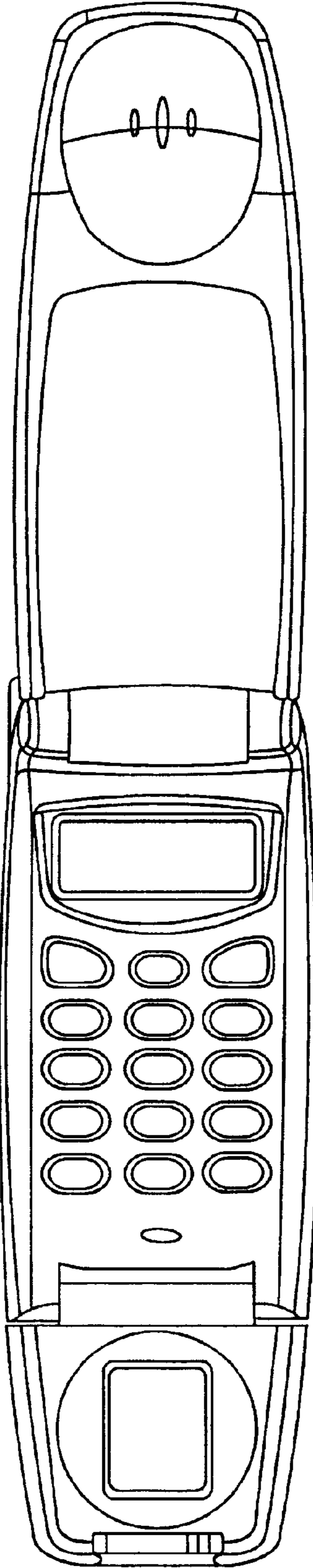


FIG. 2

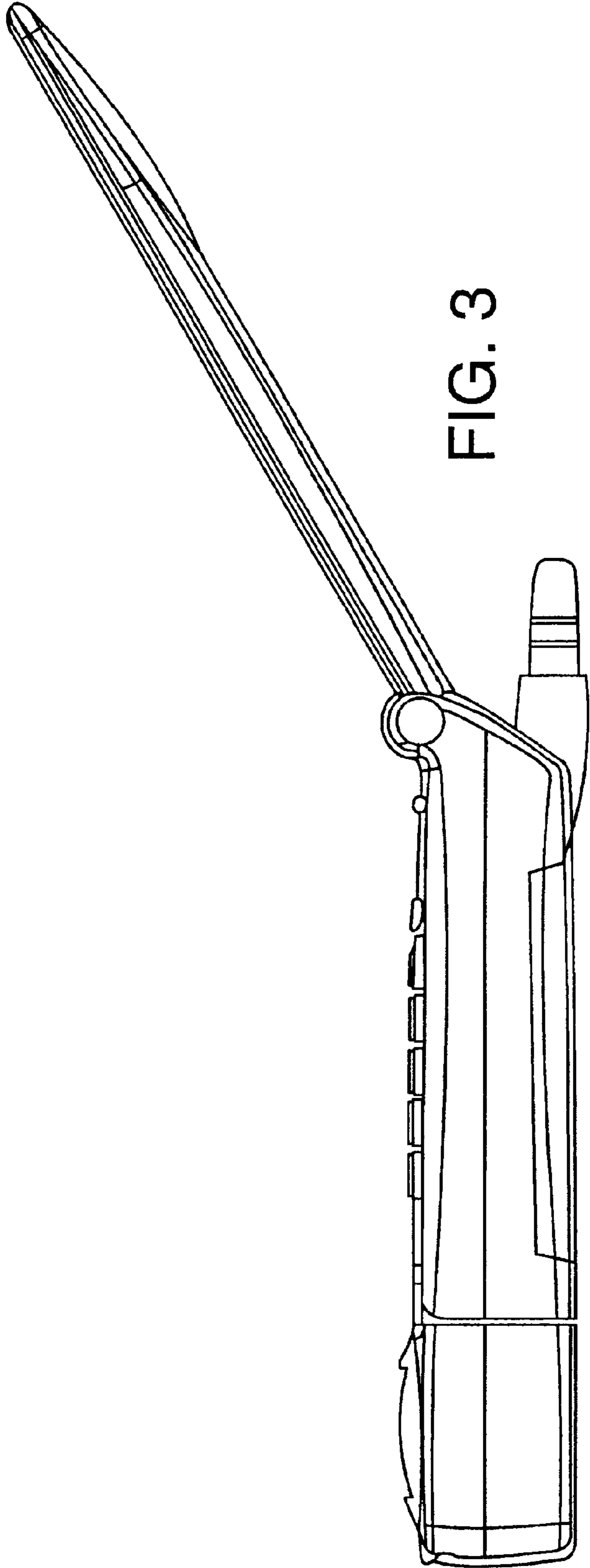


FIG. 3

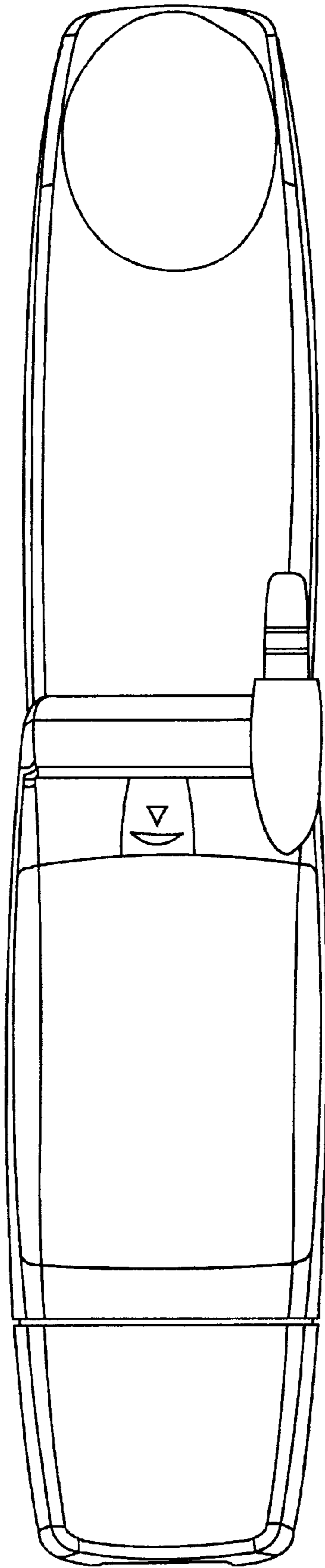


FIG. 4



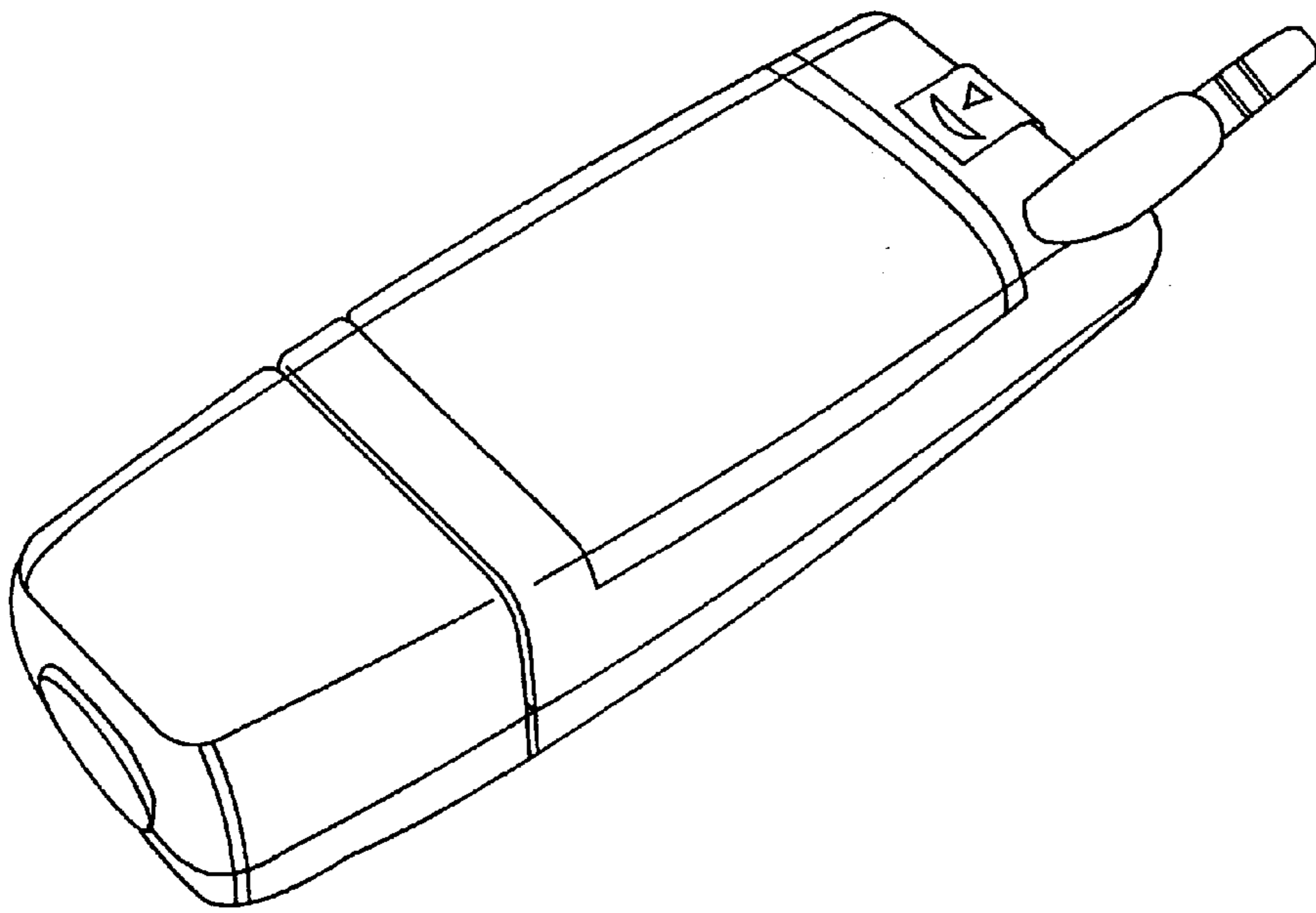


FIG. 5

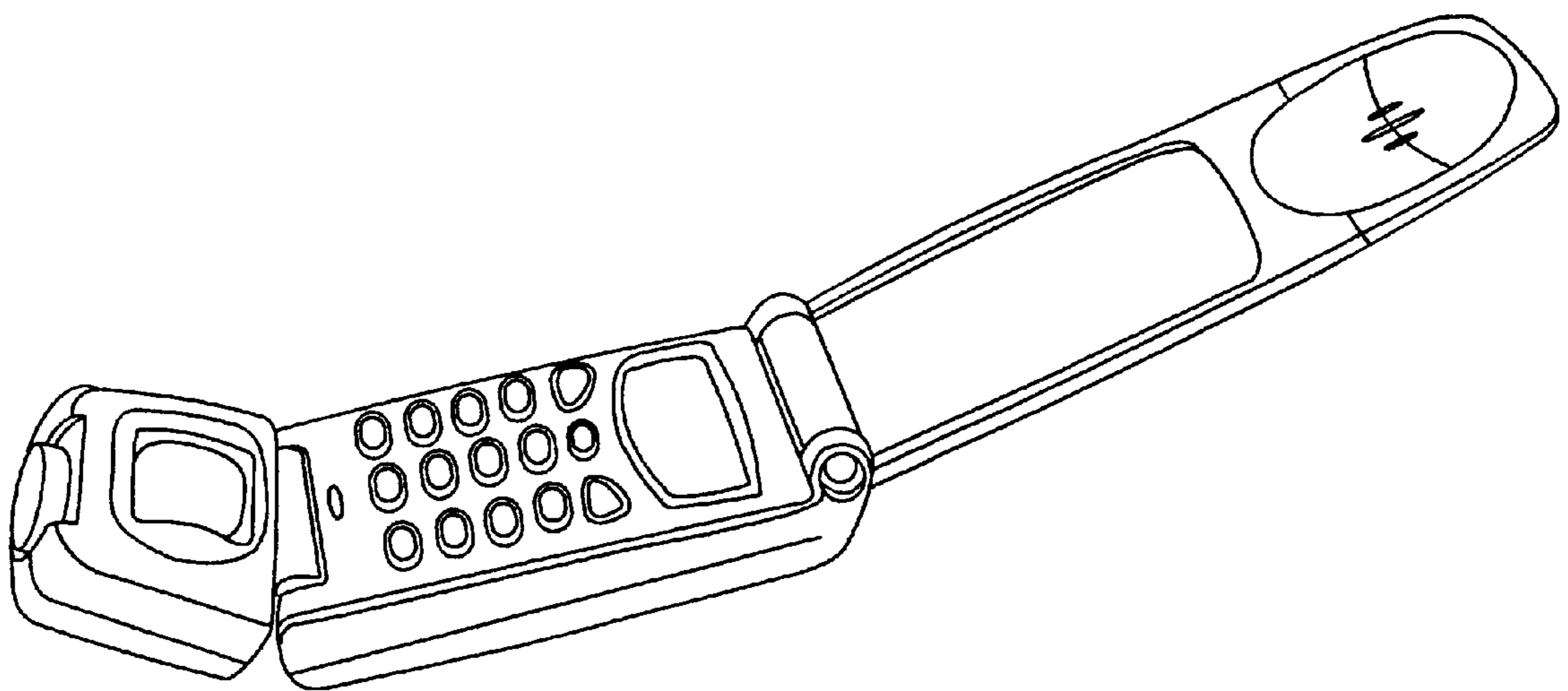


FIG. 6