



US00D454847S

(12) **United States Design Patent**  
**Busse**

(10) **Patent No.:** **US D454,847 S**

(45) **Date of Patent:** **\*\* Mar. 26, 2002**

(54) **PORTABLE RECORDING AND PLAYBACK DEVICE**

D412,328 S \* 7/1999 Sasago ..... D14/132  
D445,408 S \* 7/2001 Hwang ..... D14/132

(75) Inventor: **Rido Busse**, Elchingen/Unterelchingen (DE)

\* cited by examiner

(73) Assignee: **Dialog 4 System Engineering GmbH**, Ludwigsburg (DE)

*Primary Examiner*—Raphael Barkai

(74) *Attorney, Agent, or Firm*—Quarles & Brady LLP

(\*\*) Term: **14 Years**

(57) **CLAIM**

The ornamental design for a portable recording and playback device, as shown and described.

(21) Appl. No.: **29/134,158**

(22) Filed: **Dec. 14, 2000**

**DESCRIPTION**

(30) **Foreign Application Priority Data**

Jun. 17, 2000 (DE) ..... 400 05 995

FIG. 1 is a side perspective view of a portable recording and playback device showing my new design and having an open cover;

(51) **LOC (7) Cl.** ..... **14-03**

FIG. 2 is a side perspective view of the above-mentioned device showing the cover in a closed position;

(52) **U.S. Cl.** ..... **D14/132**

(58) **Field of Search** ..... D14/125-134, D14/239, 371, 315-327; D21/329-332; 312/7.2; 369/75.1, 75.2, 77.1; 348/836, 838; 361/683; 386/125, 126; 273/148 B, 433-438, DIG. 28

FIG. 3 is a top plan view of FIG. 1.

FIG. 4 is a side elevation view of FIG. 1;

FIG. 5 is front elevation view of FIG. 1;

FIG. 6 is a back plan view of FIG. 1;

FIG. 7 is the other side elevation view of FIG. 1; and,

FIG. 8 is a bottom plan view of the device.

(56) **References Cited**

**U.S. PATENT DOCUMENTS**

5,495,586 A \* 2/1996 Adachi ..... 369/75.1

**1 Claim, 4 Drawing Sheets**

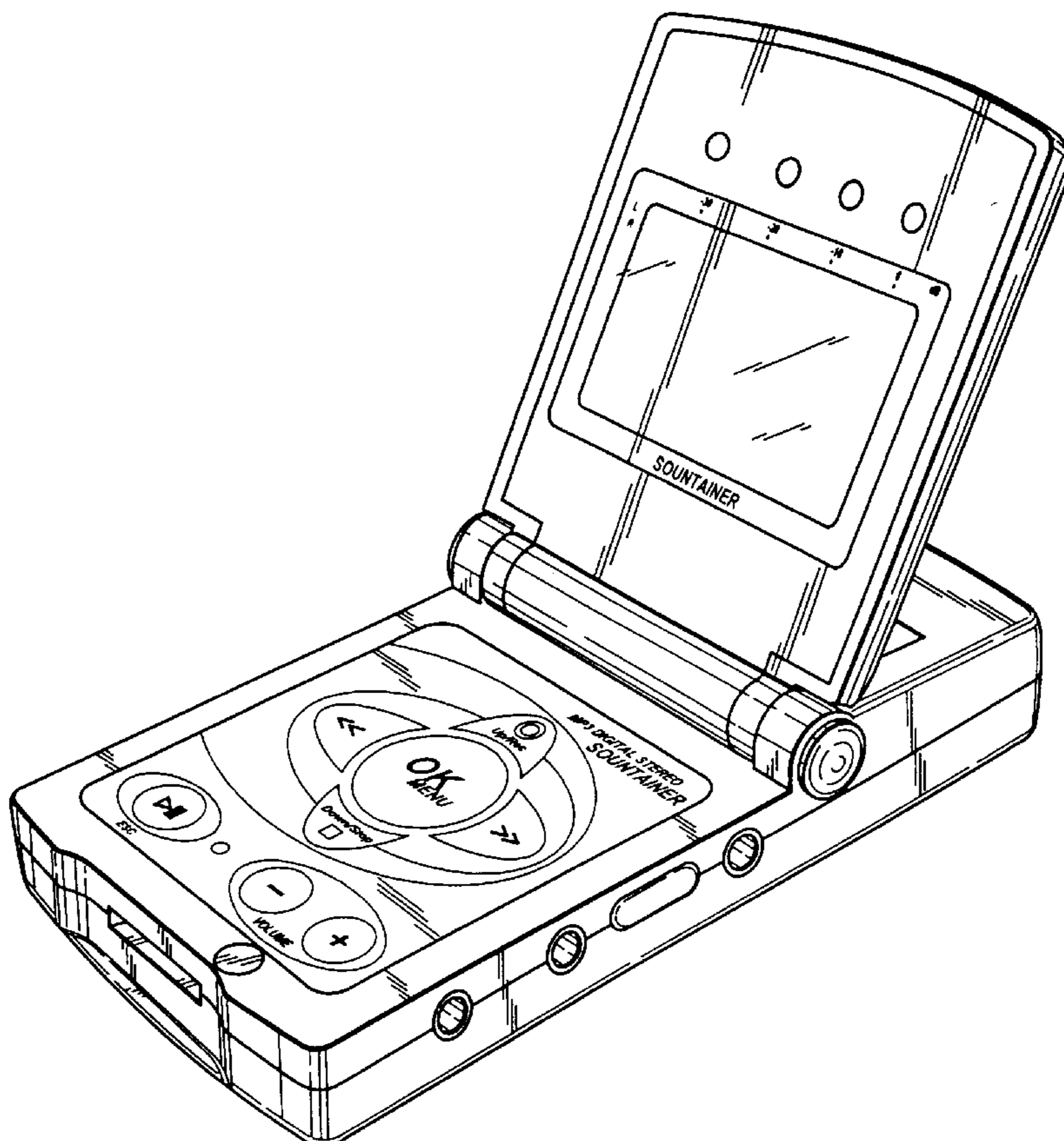


FIG. 1

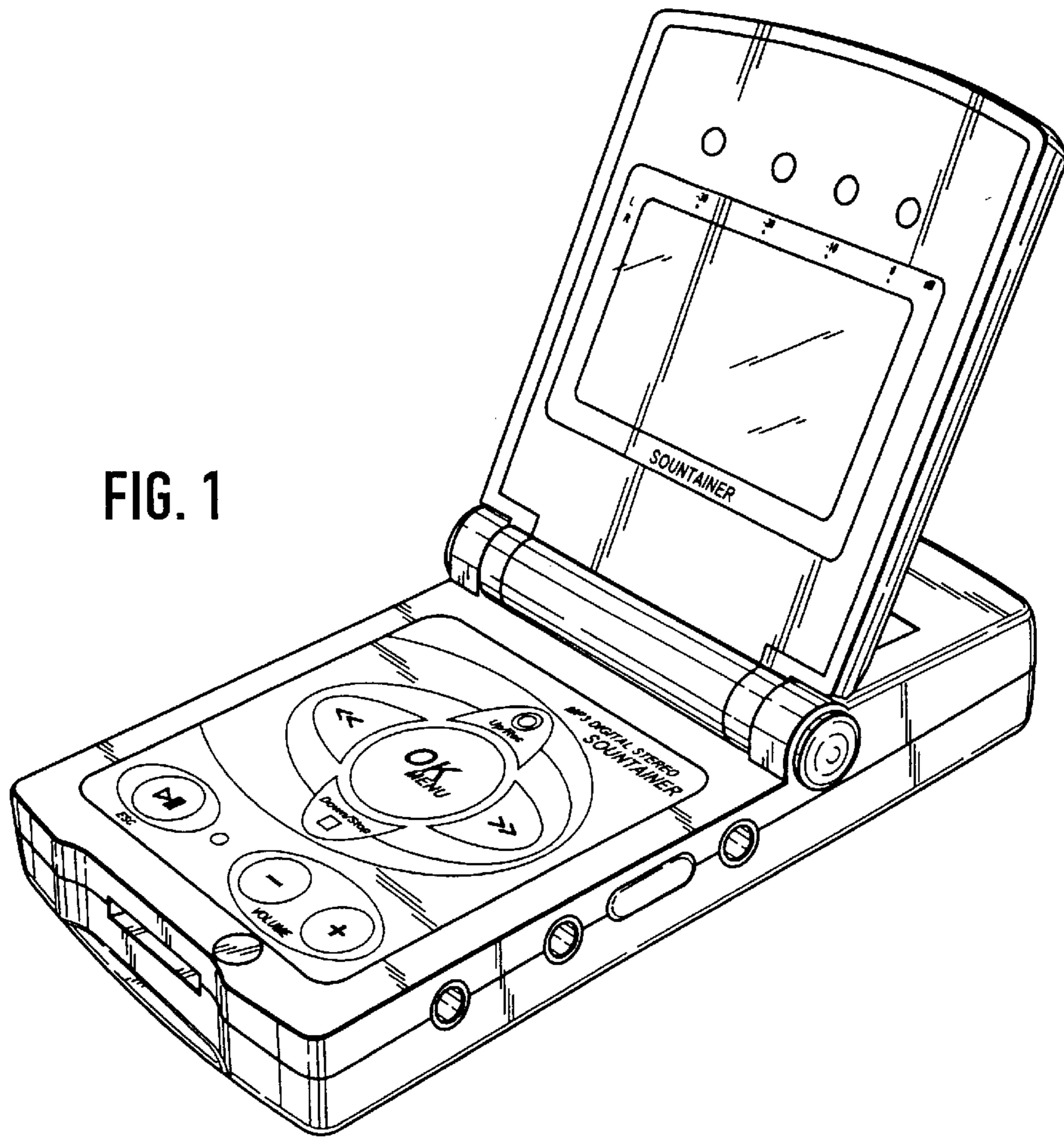


FIG. 2

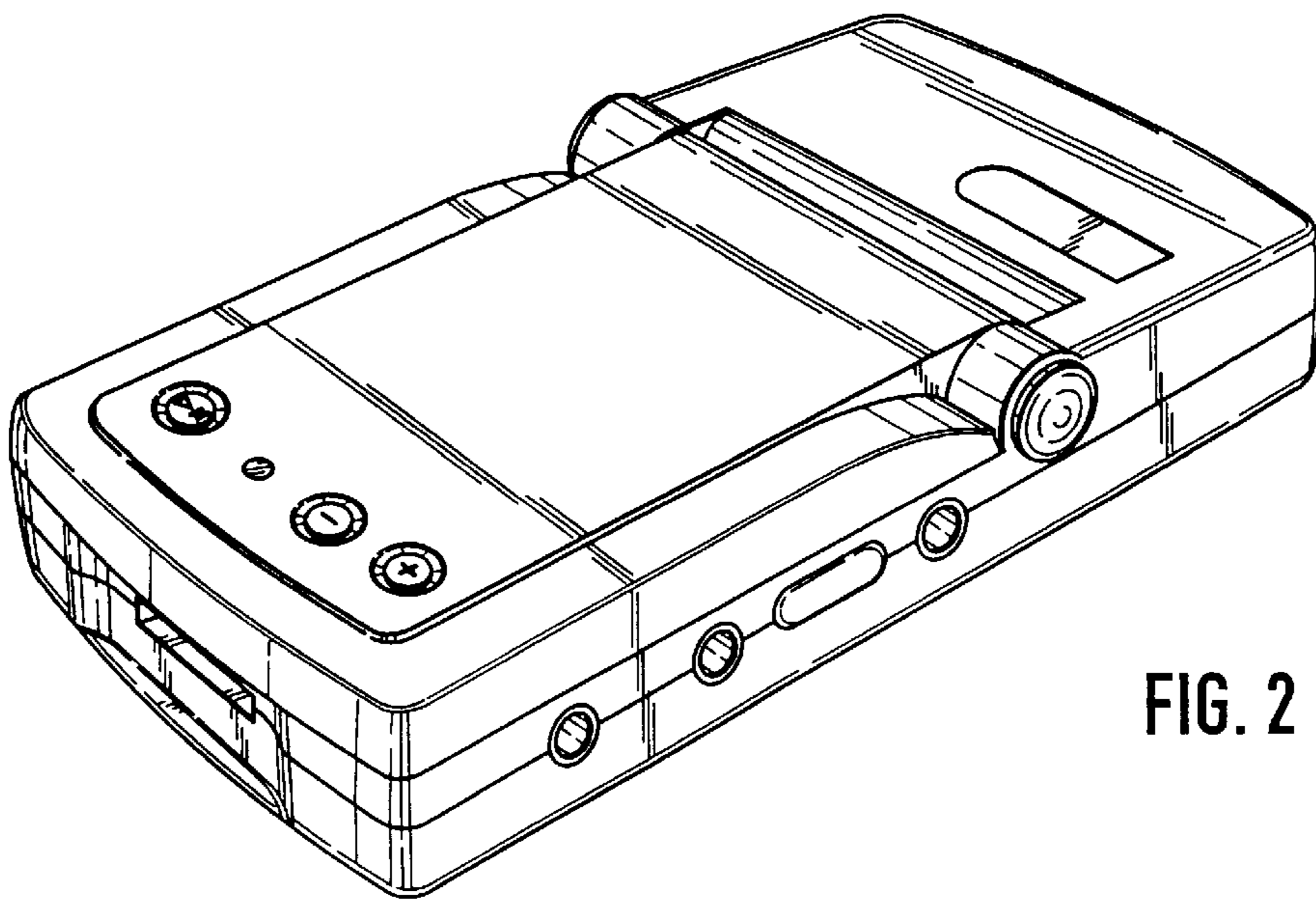


FIG. 4

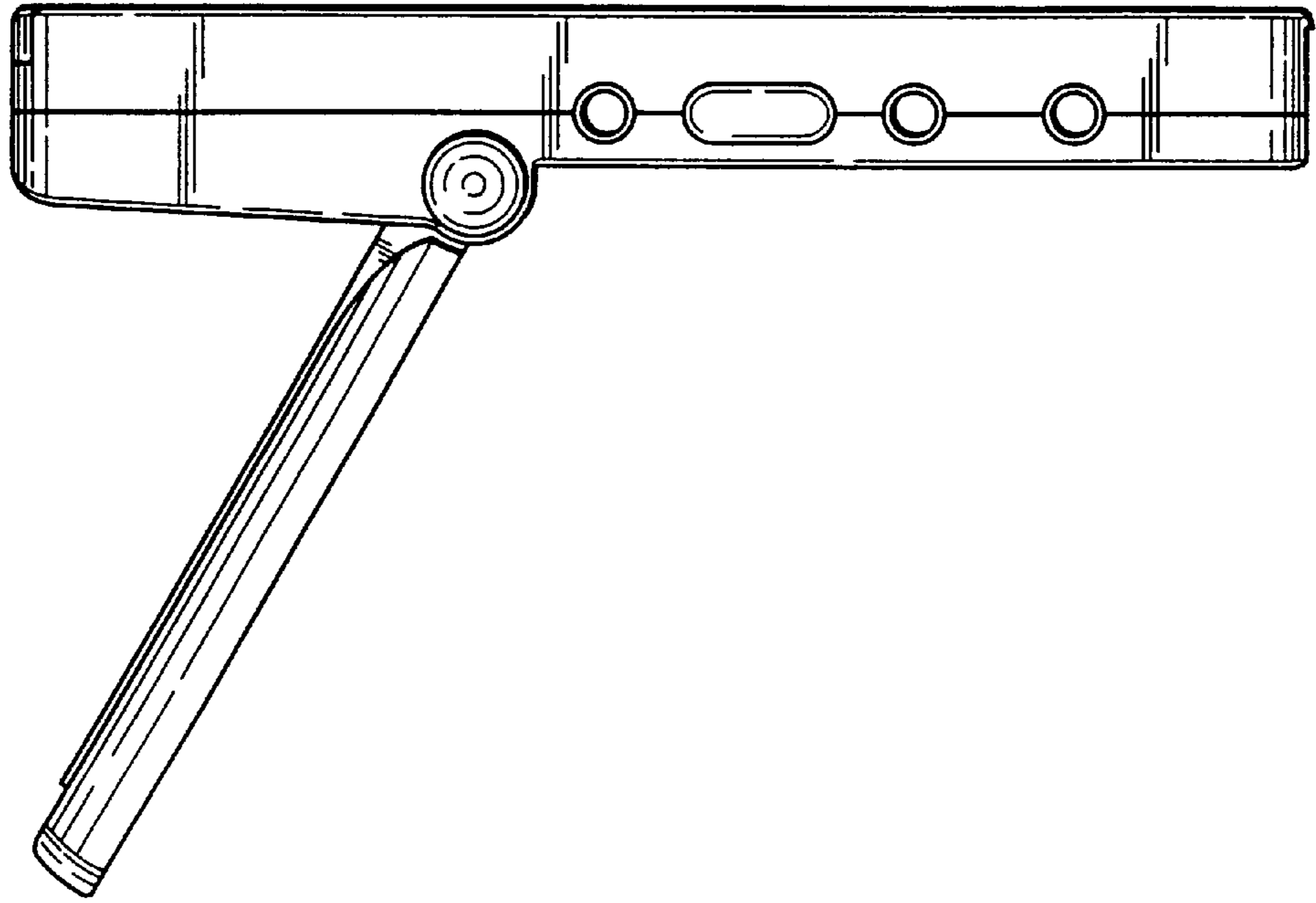


FIG. 3

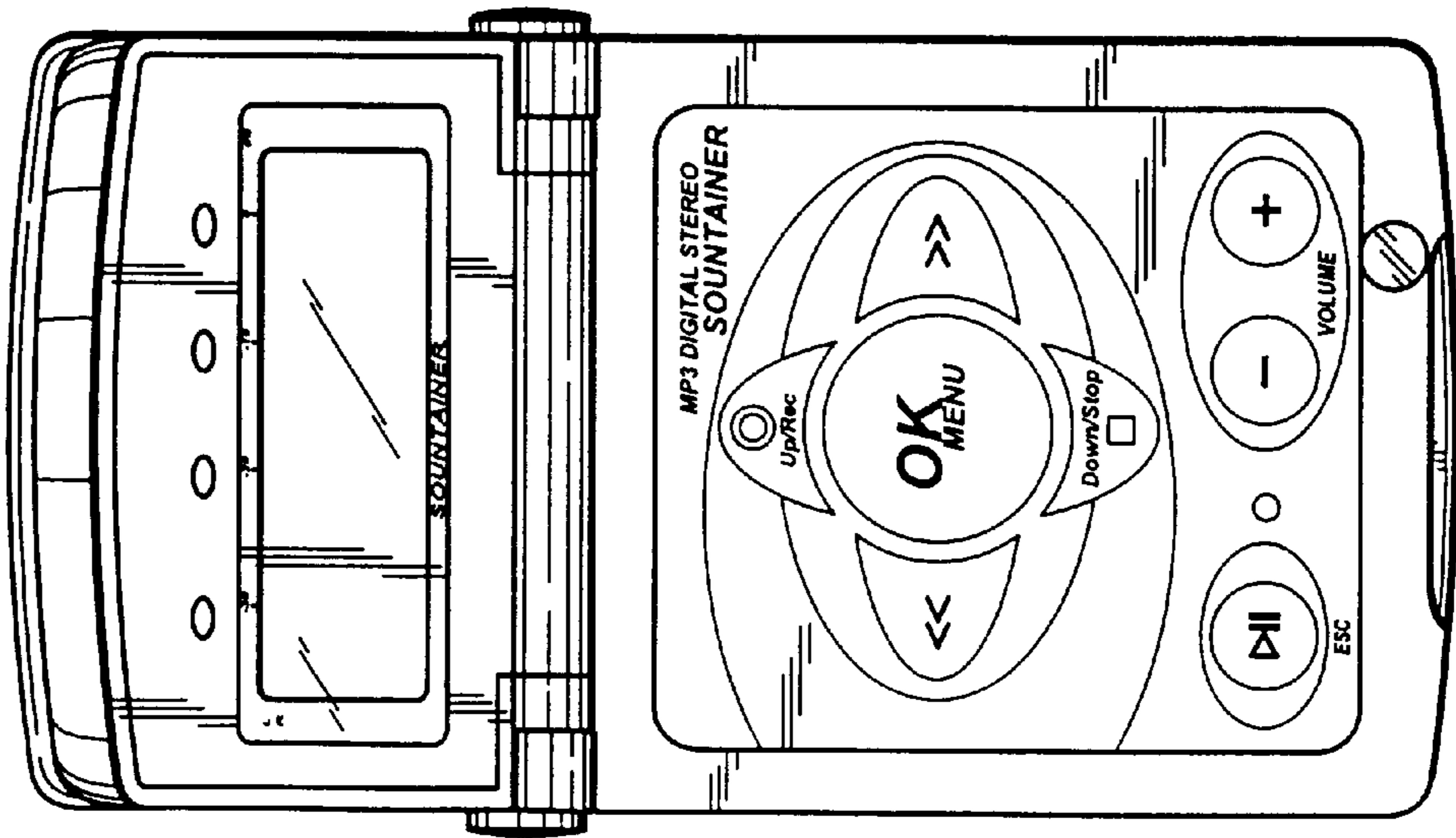


FIG. 6

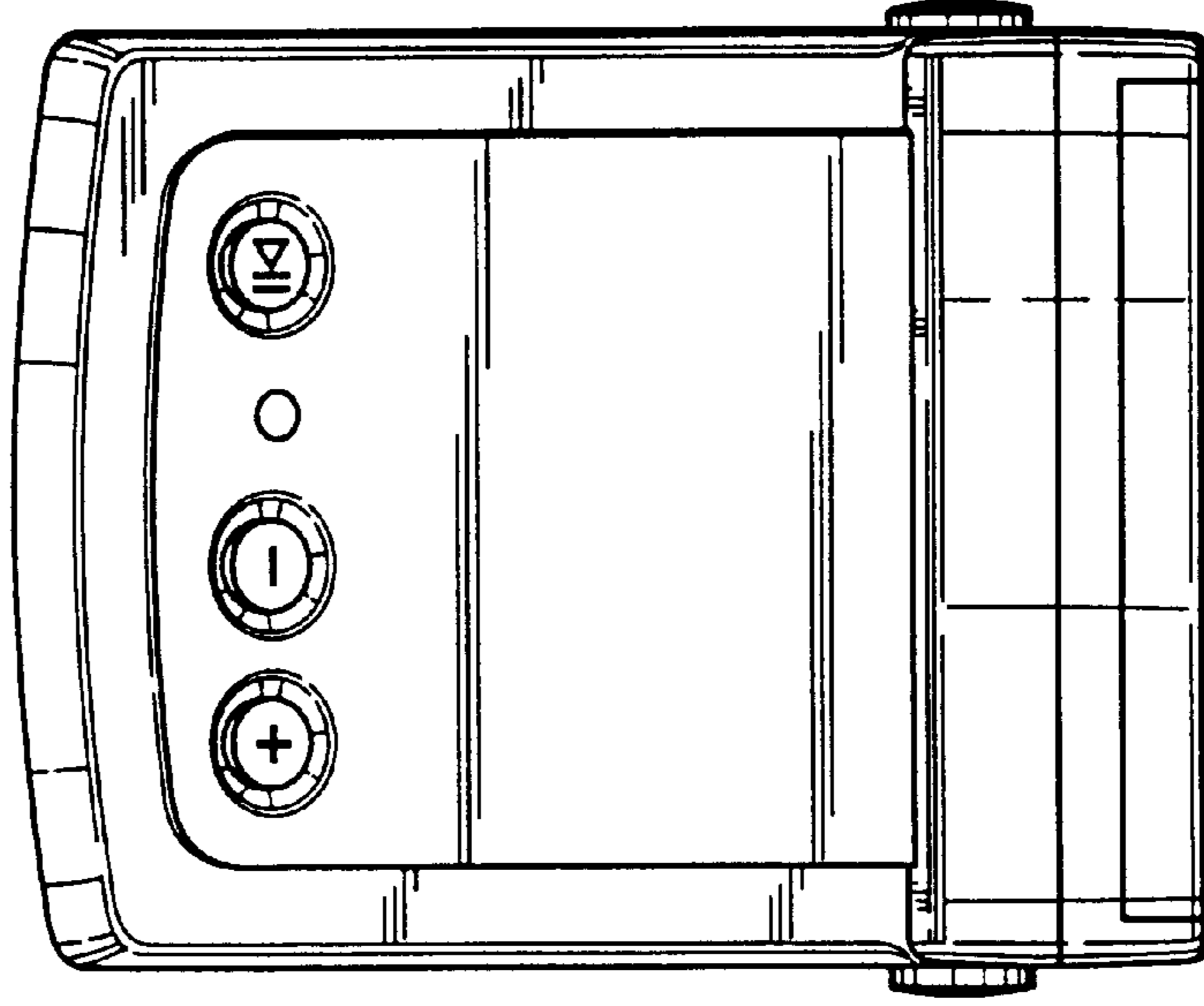
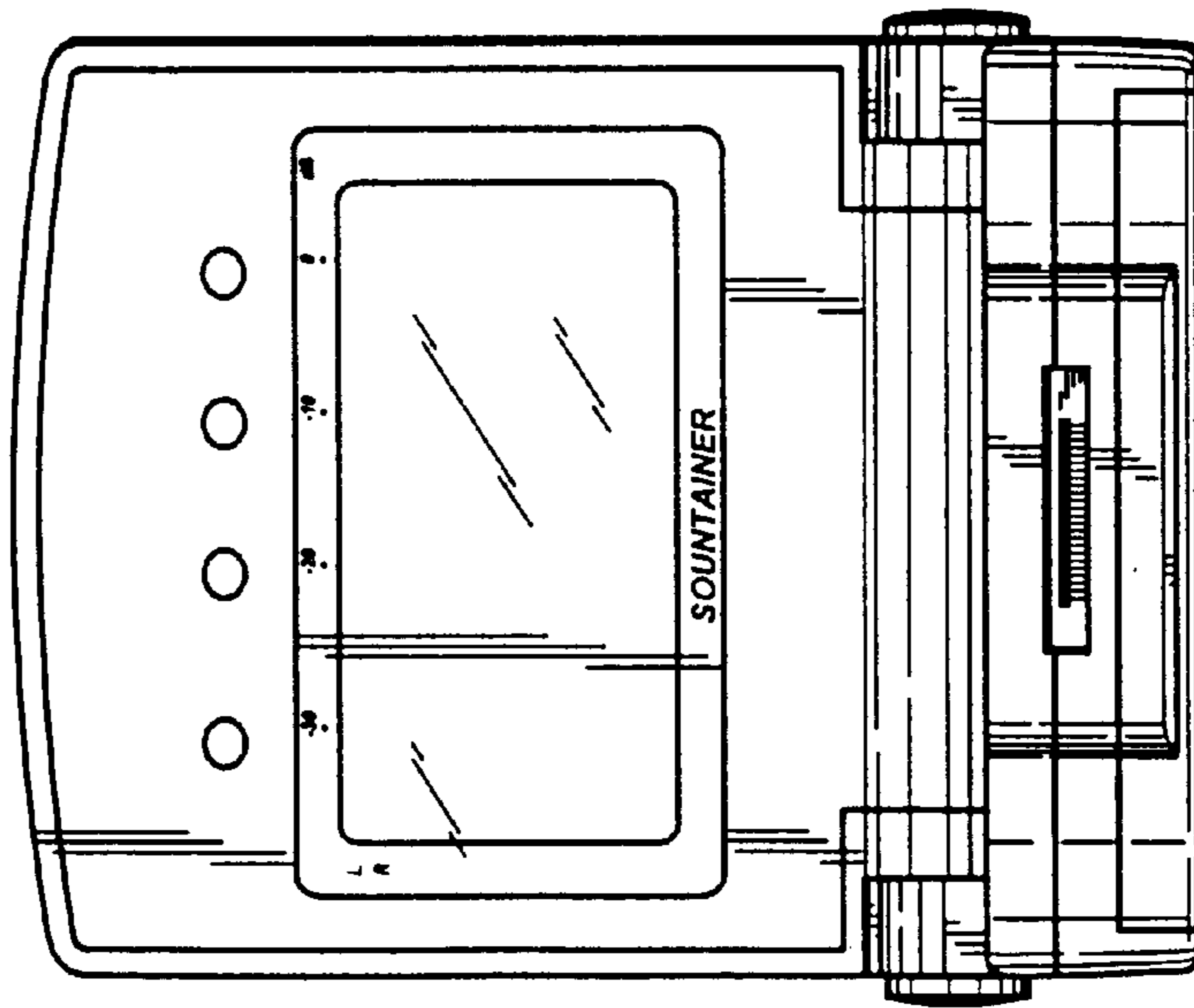


FIG. 5



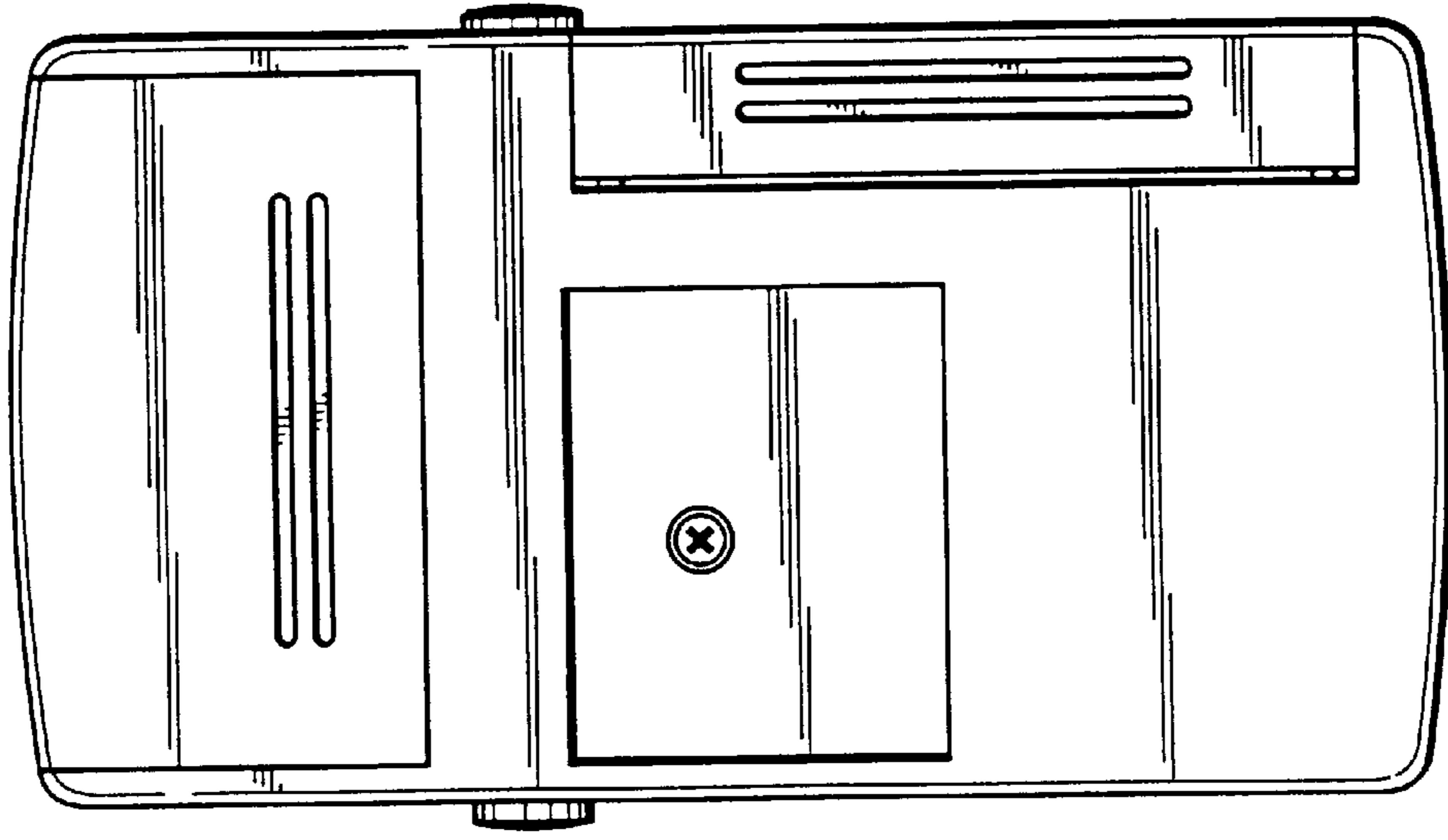


FIG. 8

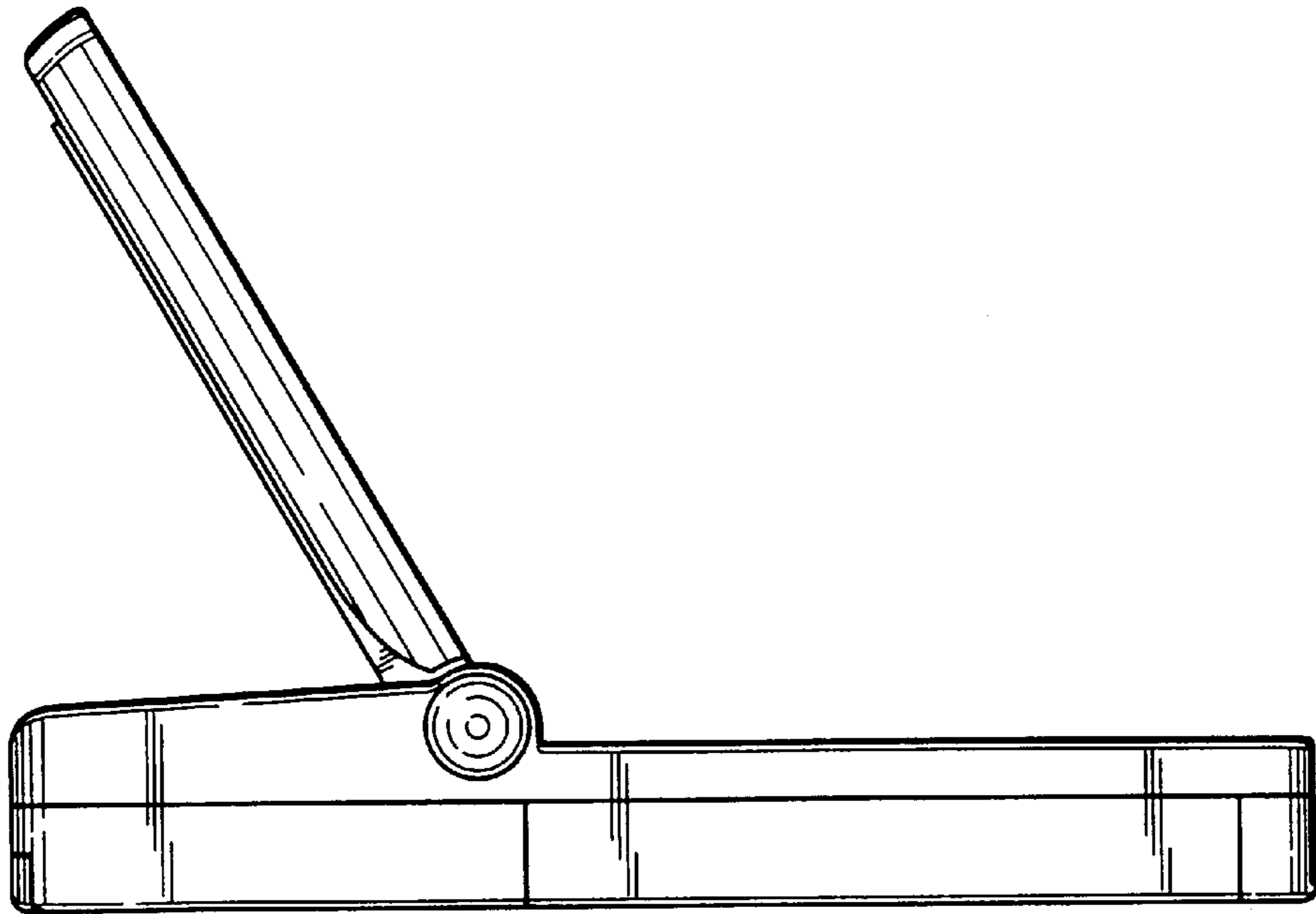


FIG. 7