



US00D454845S

(12) **United States Design Patent**
Niitsu

(10) **Patent No.:** **US D454,845 S**
(45) **Date of Patent:** **** Mar. 26, 2002**

(54) **MONITOR TELEVISION RECEIVER**

(75) Inventor: **Takuya Niitsu**, Tokyo (JP)
(73) Assignee: **Sony Corporation**, Tokyo (JP)
(**) Term: **14 Years**

(21) Appl. No.: **29/145,415**
(22) Filed: **Jul. 24, 2001**

(51) **LOC (7) Cl.** **14-03**
(52) **U.S. Cl.** **D14/126**
(58) **Field of Search** D14/125-136,
D14/239, 371, 374-376; 312/7.2; 348/836,
838, 180, 184, 325, 739; 341/12; 248/917-924;
345/104, 133, 156, 168, 87, 173

(56) **References Cited**

U.S. PATENT DOCUMENTS

D350,346 S	*	9/1994	Takemasa et al.	D14/126
D417,659 S	*	12/1999	Takemasa	D14/126
D431,537 S	*	10/2000	Saeki et al.	D14/126
D432,101 S	*	10/2000	Oba	D14/126
D439,224 S	*	3/2001	Kita	D14/126
D441,732 S		5/2001	Ota		

OTHER PUBLICATIONS

Panasonic Catalog, p. 1, Sep. 10, 1997.*
Catalog "96", p. 174, Sony Corporation (Nov. 2000).
Catalog "Sony Trinitron", 3 pgs, Sony Corporation (Nov. 2000).
Home page "LC-20V3", 1 pg., Sharp Corporation.

* cited by examiner

Primary Examiner—Raphael Barkai

(74) *Attorney, Agent, or Firm*—Rader, Fishman & Grauer, PLLC

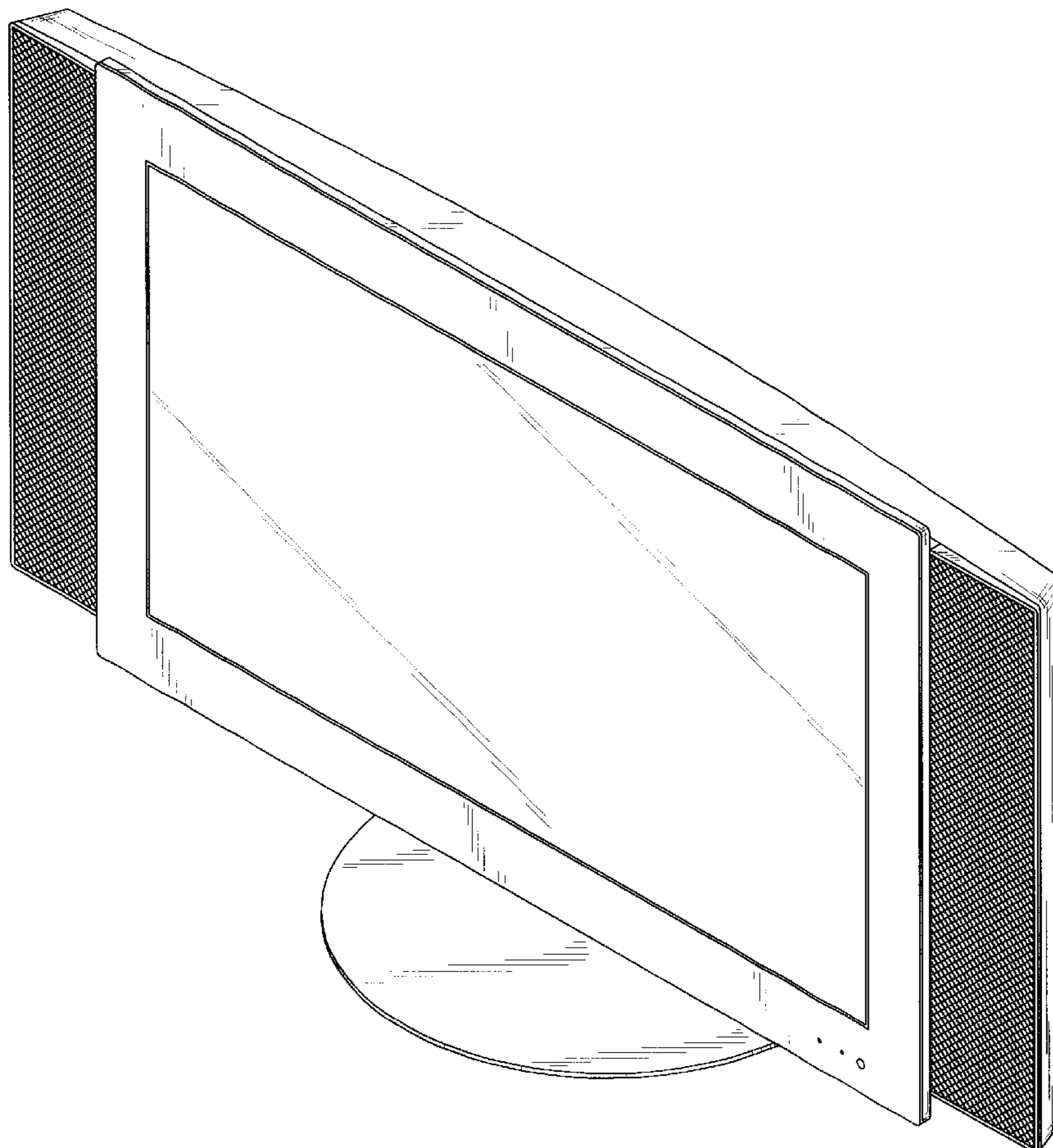
(57) **CLAIM**

The ornamental design for a monitor television receiver, as shown and described.

DESCRIPTION

FIG. 1 is a perspective view of a monitor television receiver showing my new design;
FIG. 2 is a front elevational view thereof;
FIG. 3 is a rear elevational view thereof;
FIG. 4 is a left side elevational view thereof;
FIG. 5 is a right side elevational view thereof;
FIG. 6 is a top plan view thereof; and,
FIG. 7 is a bottom plan view thereof.

1 Claim, 5 Drawing Sheets



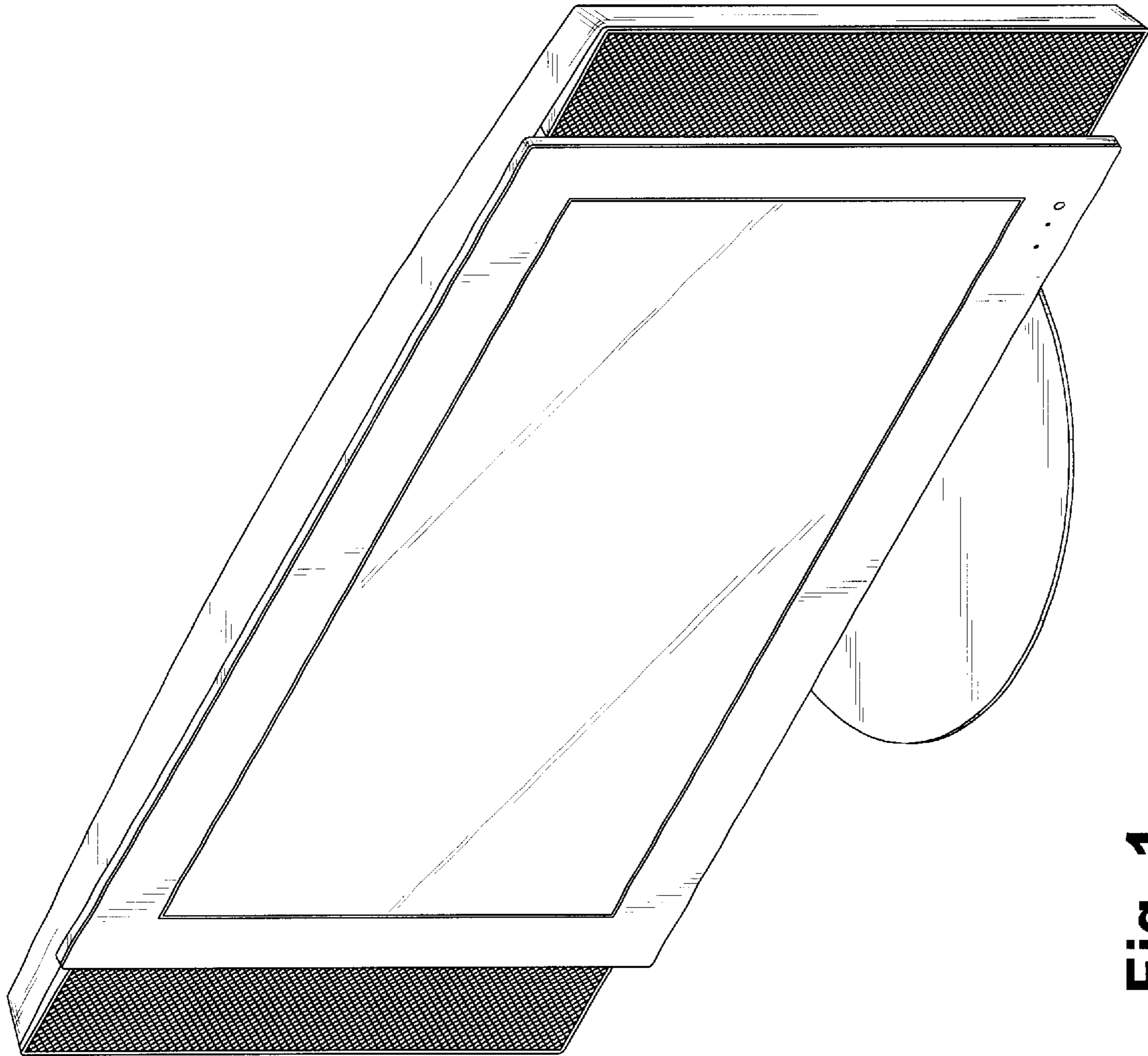


Fig. 1

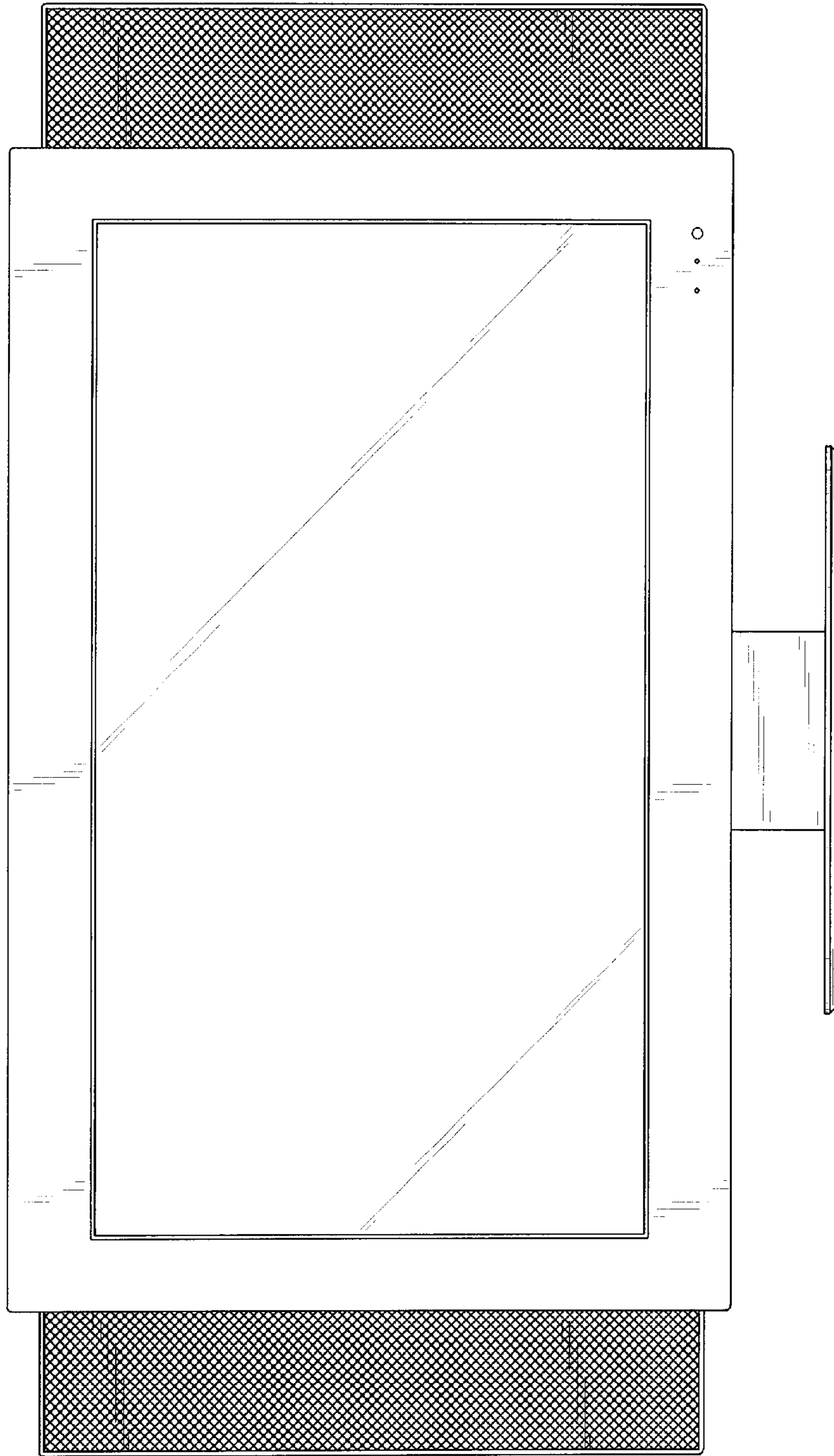


Fig. 2

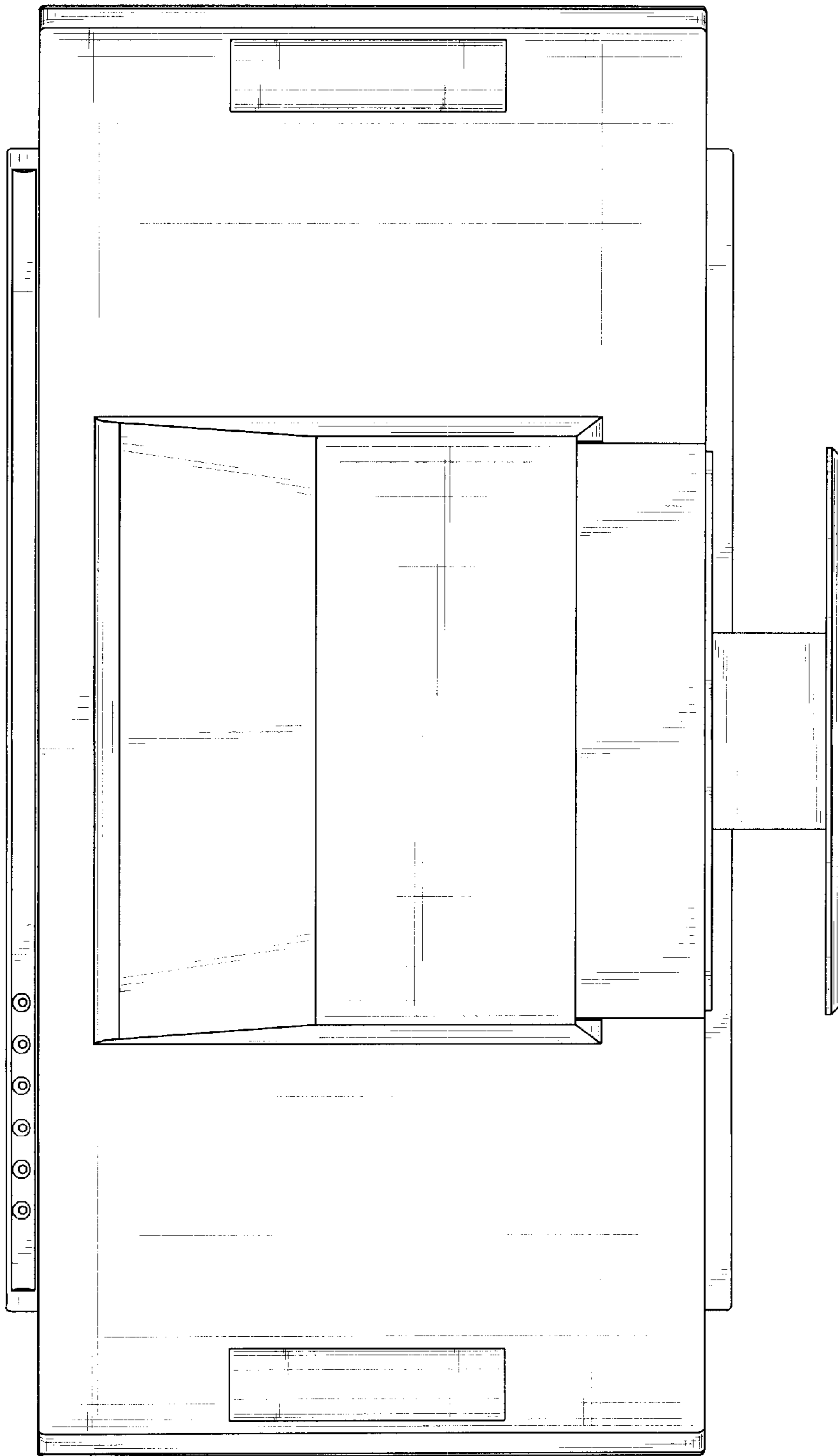


Fig. 3

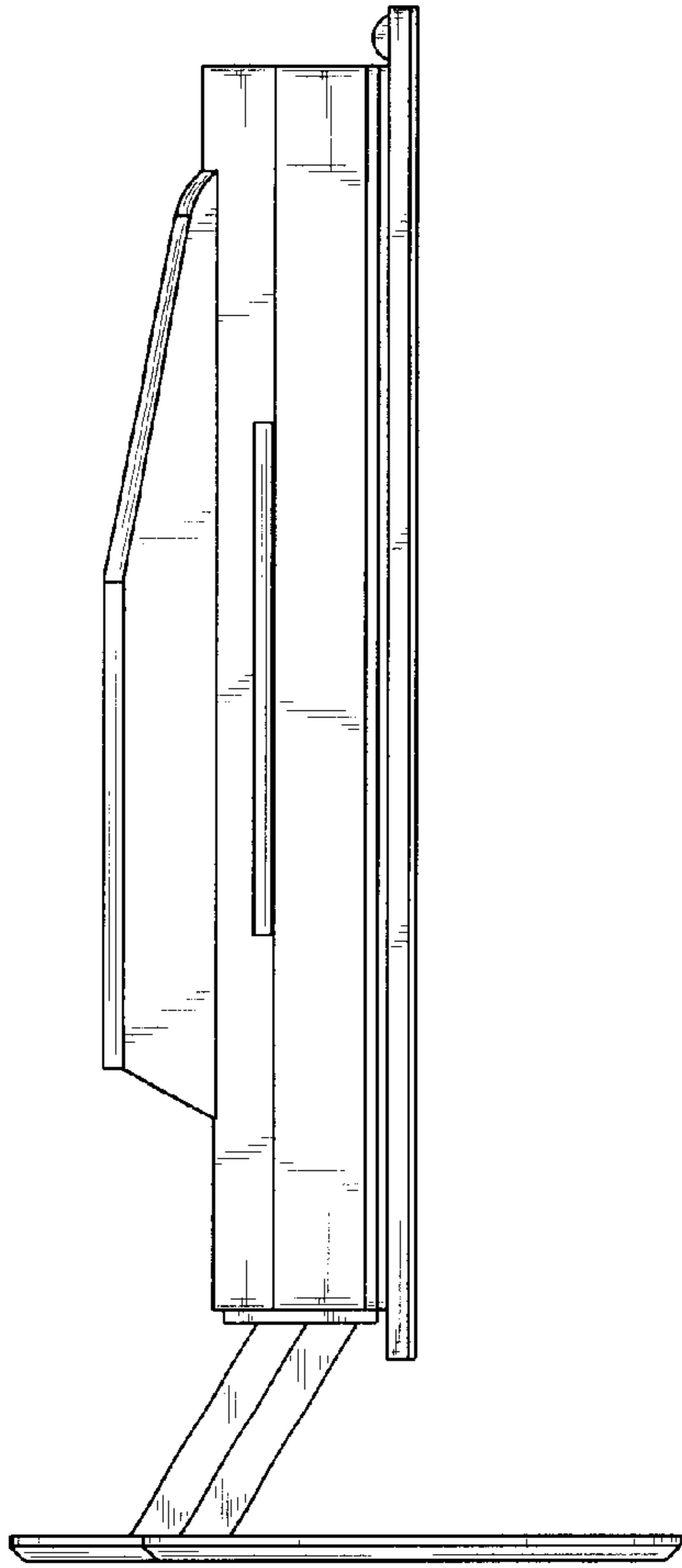


Fig. 4

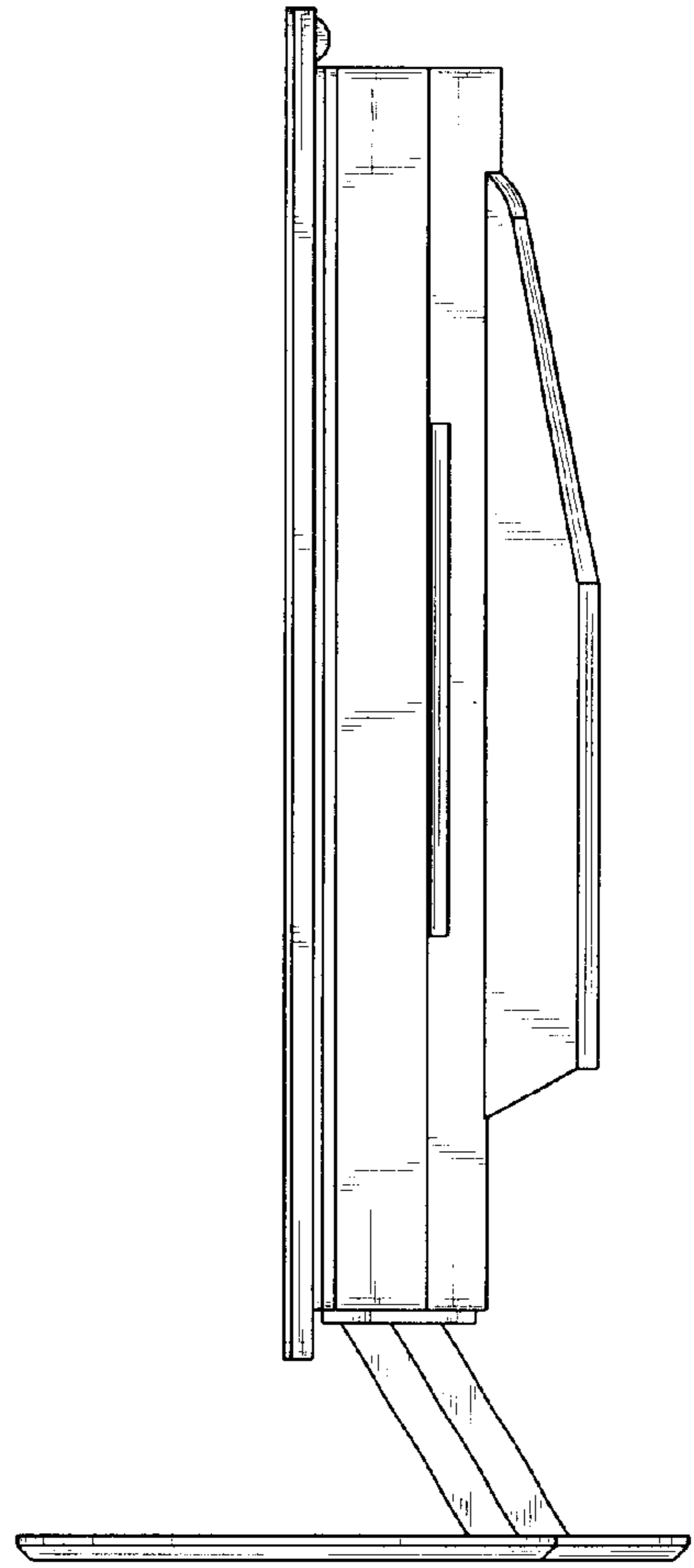


Fig. 5

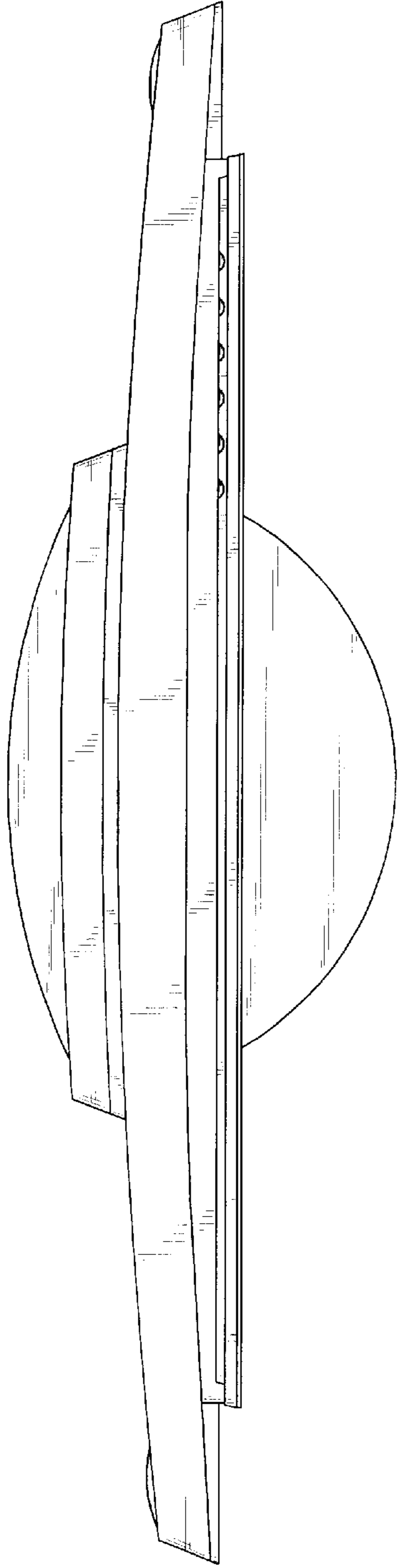


Fig. 6

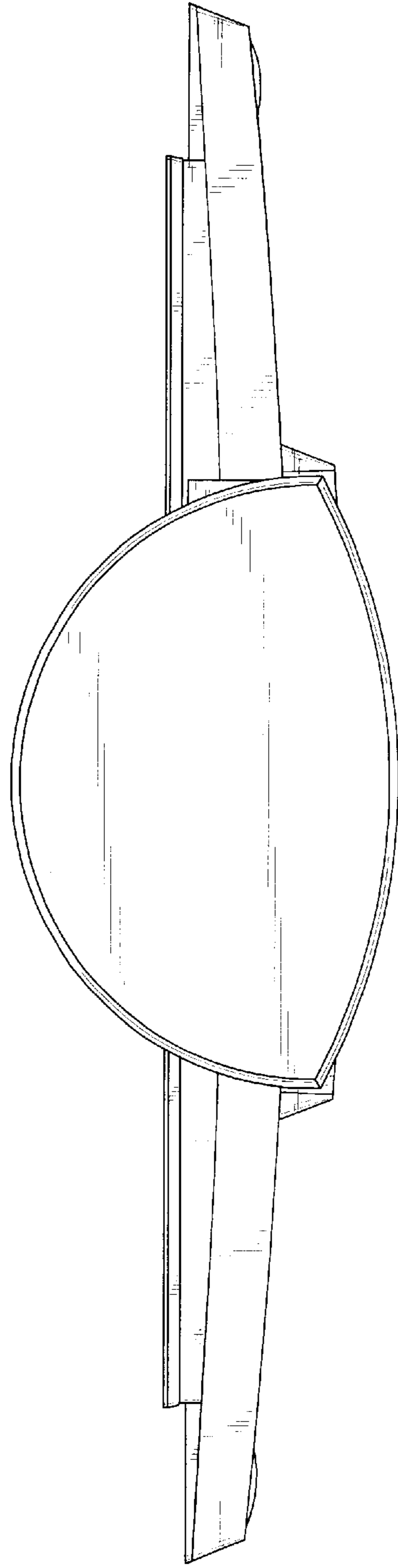


Fig. 7