



US00D454843S

(12) **United States Design Patent**  
**Matsuoka**

(10) **Patent No.:** **US D454,843 S**

(45) **Date of Patent:** **\*\* Mar. 26, 2002**

(54) **MONITOR TELEVISION RECEIVER**

D419,975 S \* 2/2000 Lee ..... D14/126

(75) Inventor: **Shoichiro Matsuoka**, Tokyo (JP)

**OTHER PUBLICATIONS**

(73) Assignee: **Sony Corporation**, Tokyo (JP)

Catalog "Vaio MX", p. 22, Sony Corporation, (Jan. 2001).

(\*\*) Term: **14 Years**

\* cited by examiner

(21) Appl. No.: **29/144,458**

*Primary Examiner*—Raphael Barkai

(22) Filed: **Jul. 5, 2001**

(74) *Attorney, Agent, or Firm*—Rader, Fishman & Grauer, PLLC

(51) **LOC (7) Cl.** ..... **14-03**

(52) **U.S. Cl.** ..... **D14/126**

(58) **Field of Search** ..... D14/125-136,  
D14/239, 371, 374-382; 312/7.2; 348/836,  
838, 180, 184, 325, 739; 248/917-924;  
341/12; 345/104, 133, 156, 168, 87, 173

(57) **CLAIM**

The ornamental design for a monitor television receiver, as shown and described.

(56) **References Cited**

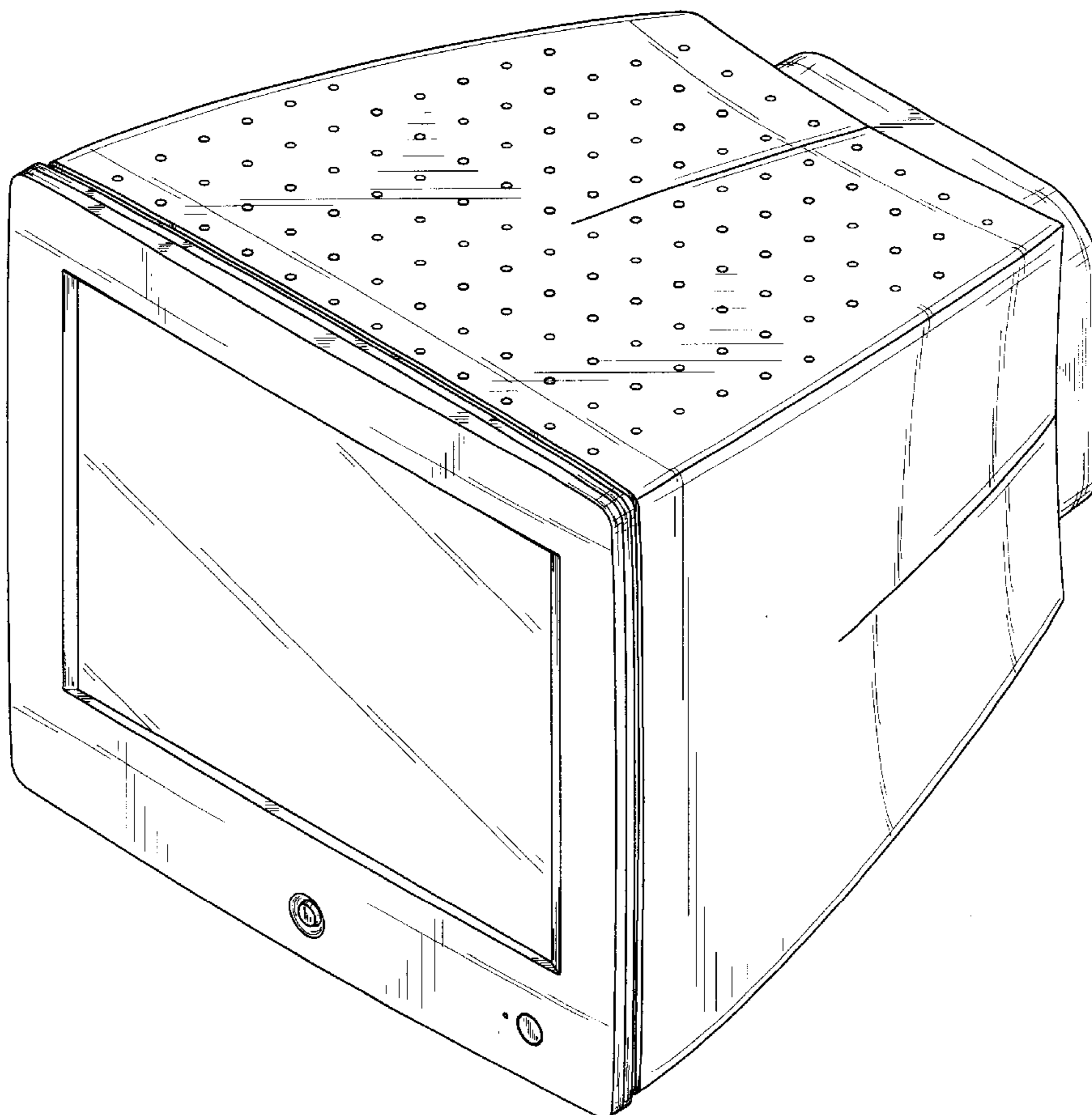
**U.S. PATENT DOCUMENTS**

D324,382 S	*	3/1992	Menei	.....	D14/126
D390,545 S	*	2/1998	Chang	.....	D14/126
D411,990 S	*	7/1999	Usui	.....	D14/126
D413,314 S		8/1999	Morimiya		
D415,130 S	*	10/1999	Chuo et al.	.....	D14/126

**DESCRIPTION**

FIG. 1 is a perspective view of a monitor television receiver showing my new design;  
FIG. 2 is a front elevational view thereof;  
FIG. 3 is a rear elevational view thereof;  
FIG. 4 is a left side elevational view thereof;  
FIG. 5 is a right side elevational view thereof;  
FIG. 6 is a top plan view thereof; and,  
FIG. 7 is a bottom plan view thereof.

**1 Claim, 4 Drawing Sheets**



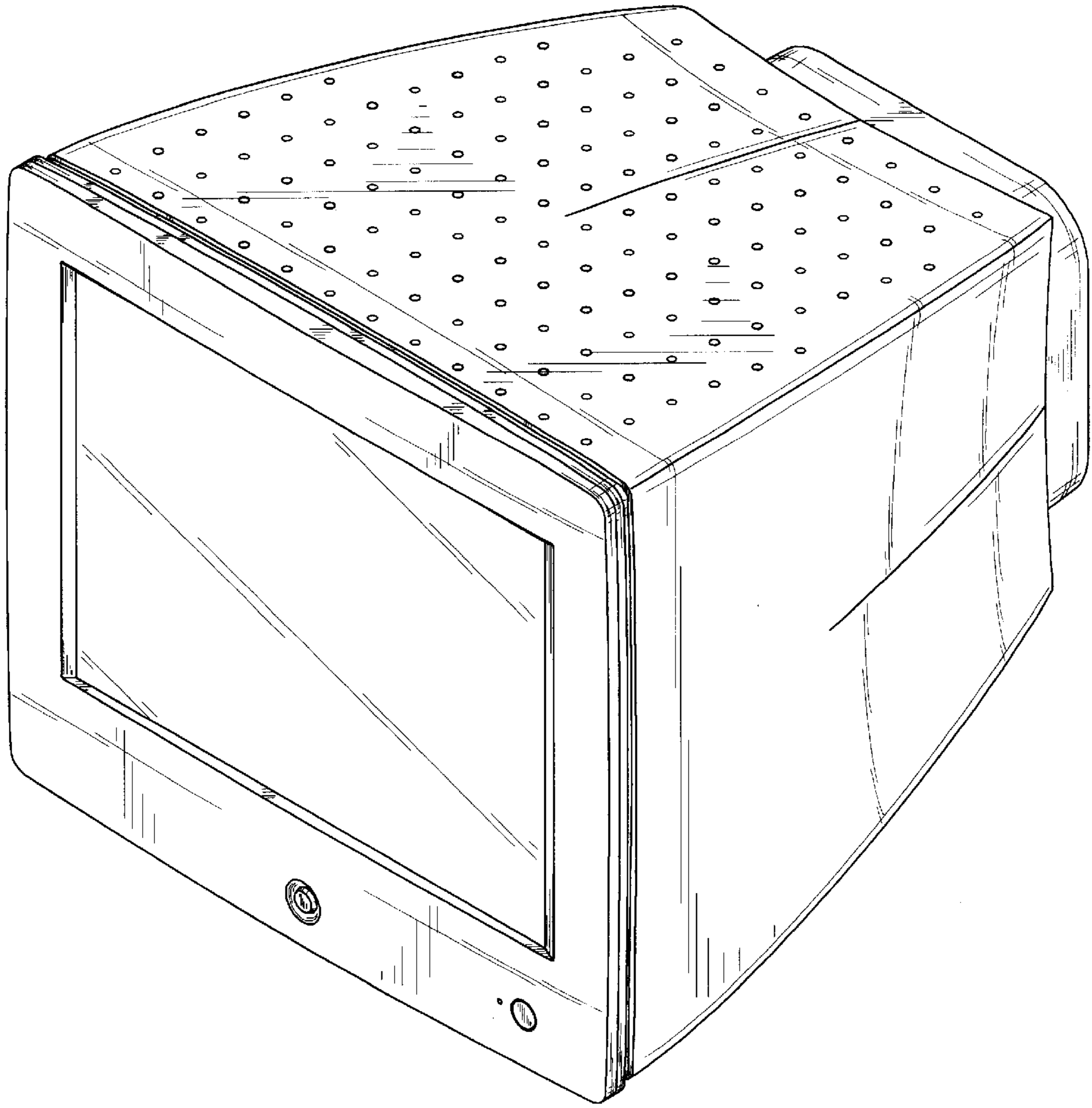
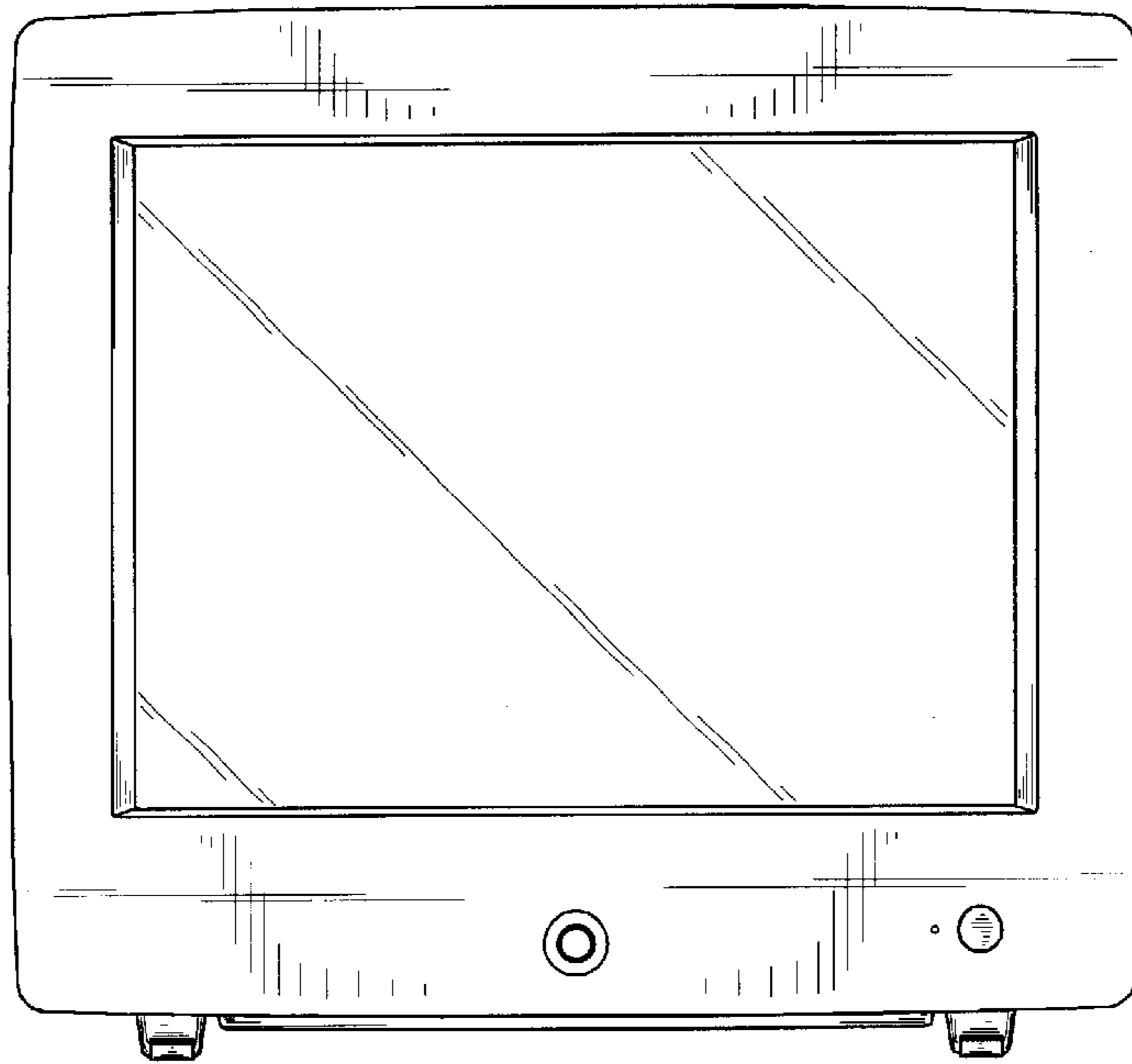
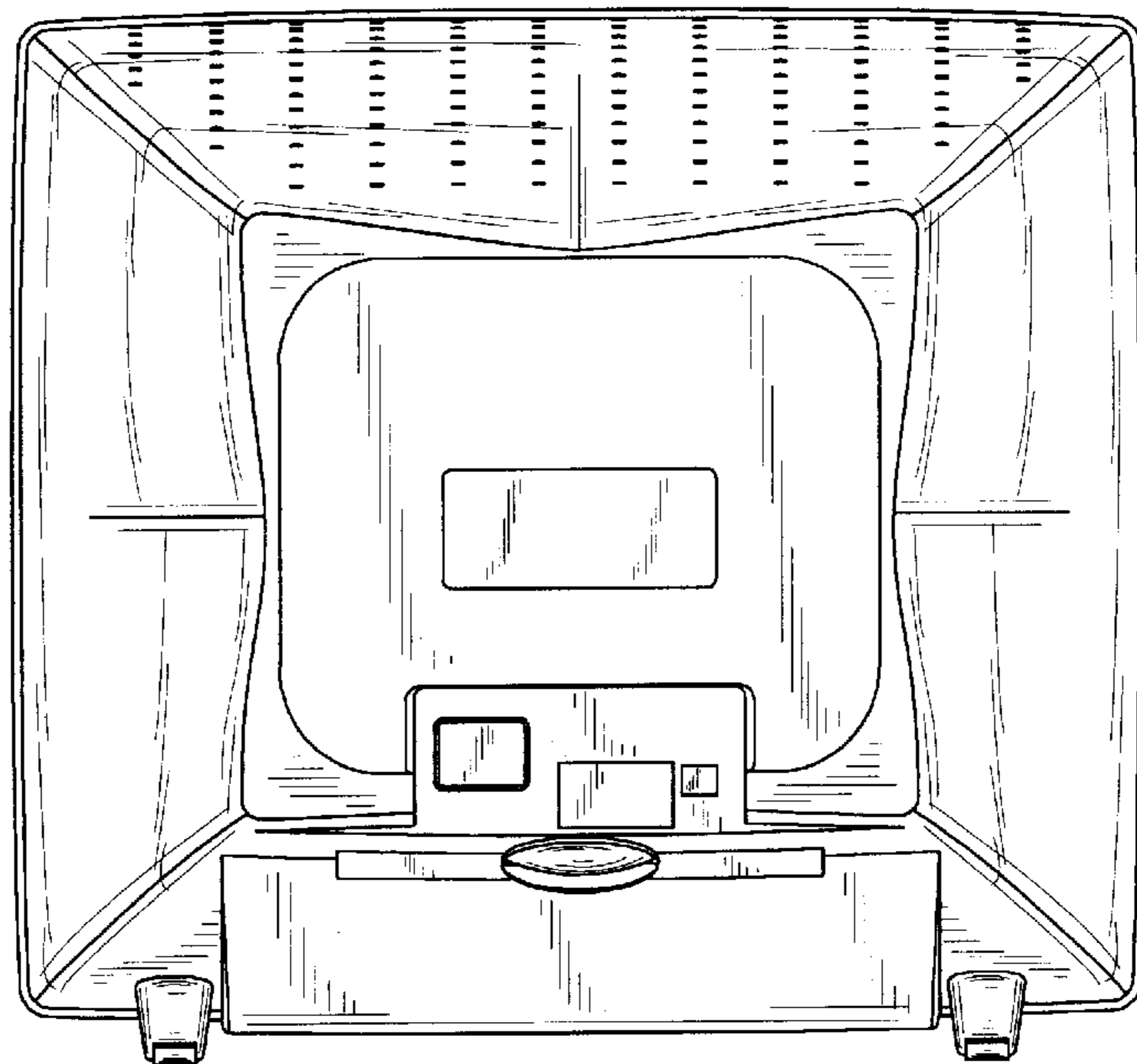


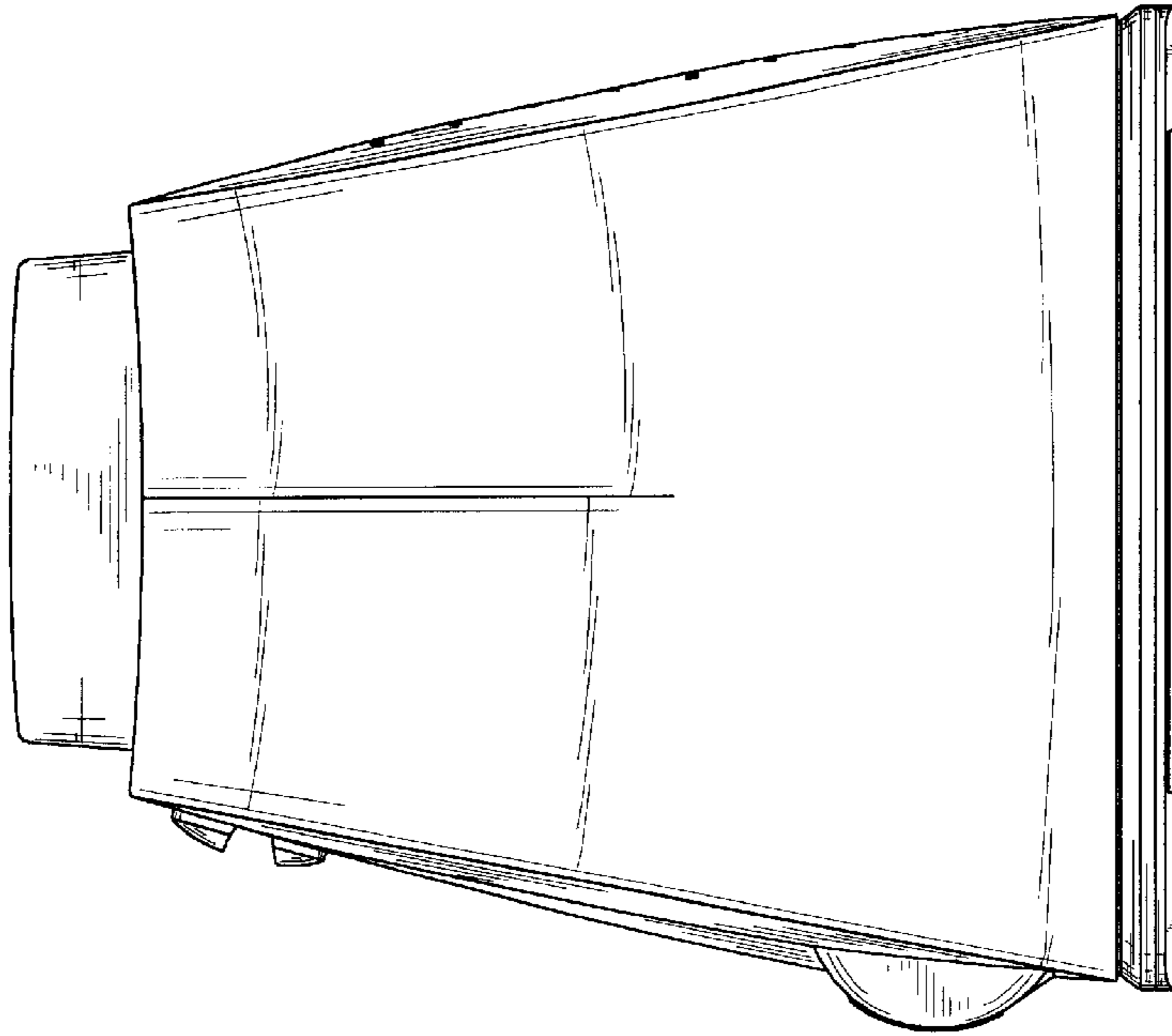
Fig. 1



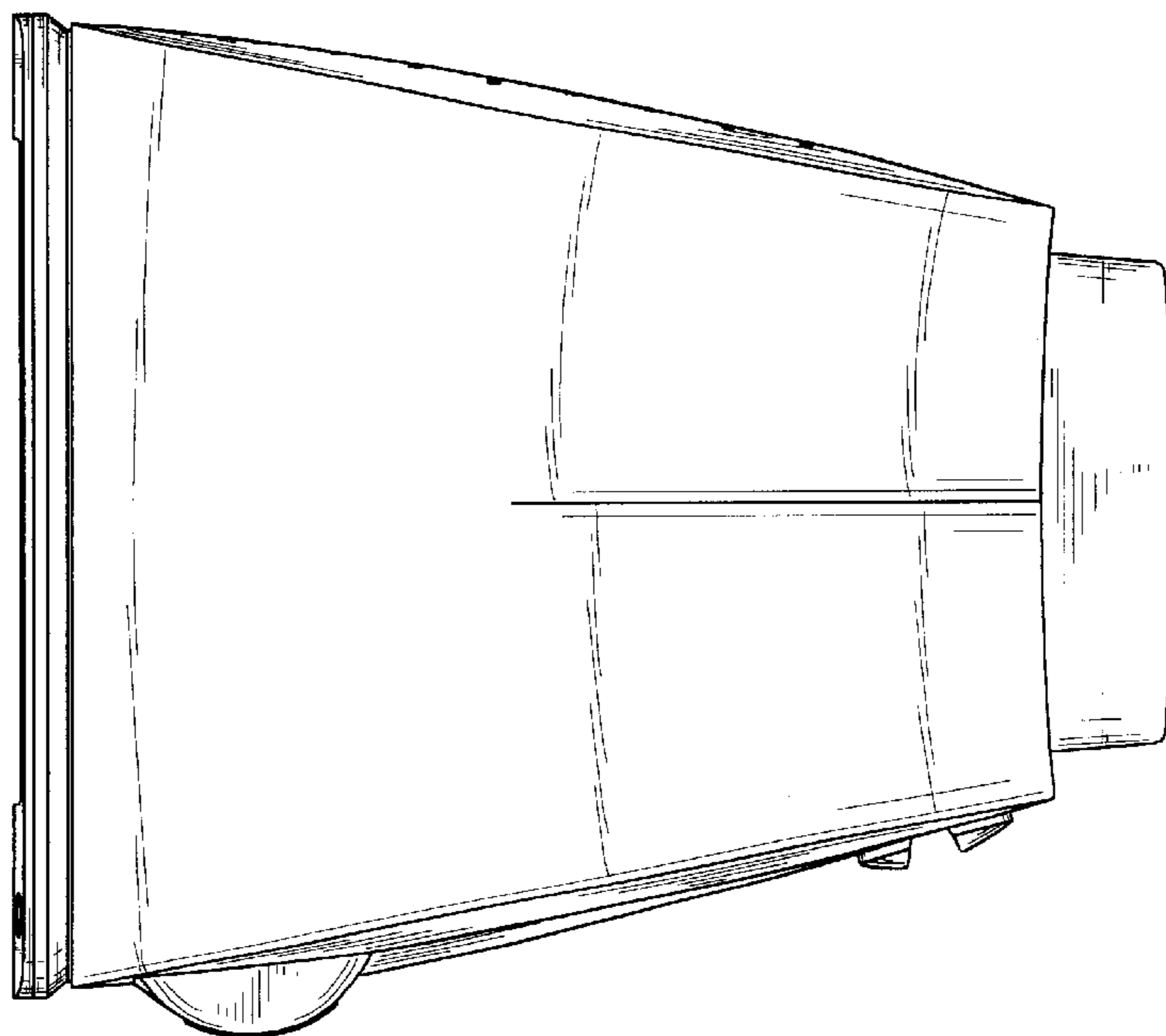
**Fig. 2**



**Fig. 3**

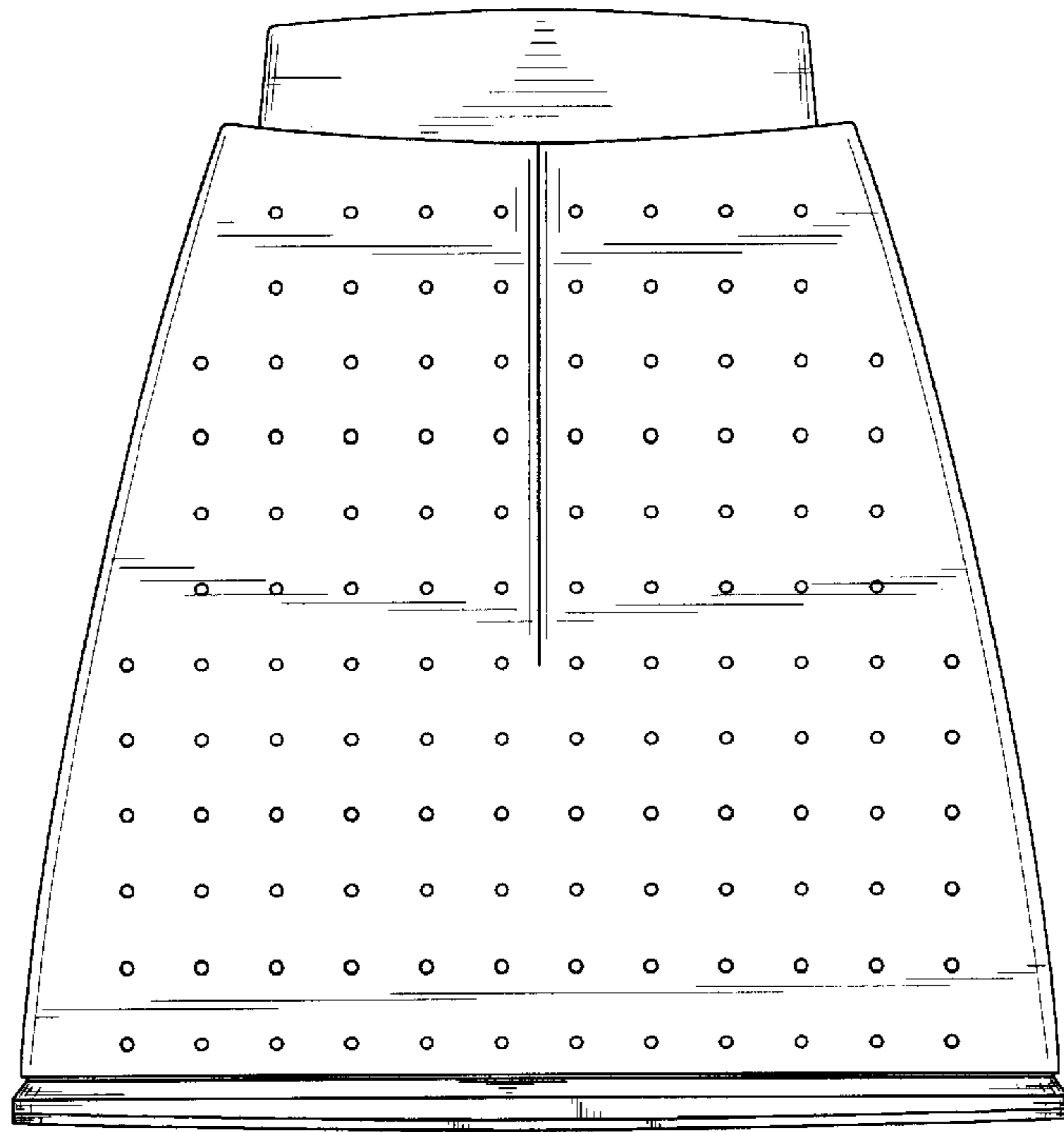


**Fig. 4**



**Fig. 5**

**Fig. 6**



**Fig. 7**

