



US00D454842S

(12) **United States Design Patent**
Ohashi et al.

(10) **Patent No.:** **US D454,842 S**

(45) **Date of Patent:** **** Mar. 26, 2002**

(54) **FUSE**

(75) **Inventors:** **Norihiro Ohashi; Hiroki Kondo;**
Takayoshi Endo, all of Shizuoka (JP)

(73) **Assignee:** **Yazaki Corporation (JP)**

(**) **Term:** **14 Years**

(21) **Appl. No.:** **29/134,430**

(22) **Filed:** **Dec. 21, 2000**

(30) **Foreign Application Priority Data**

Jun. 30, 2000	(JP)	2000-017787
Jun. 30, 2000	(JP)	2000-017788
Jun. 30, 2000	(JP)	2000-017791

(51) **LOC (7) Cl.** **13-03**

(52) **U.S. Cl.** **D13/161**

(58) **Field of Search** D13/161; 337/186,
337/227-228, 231, 234, 266, 241; 361/430;
174/48

(56) **References Cited**

U.S. PATENT DOCUMENTS

4,499,447	A	*	2/1985	Greenberg	337/241	X
4,772,219	A	*	9/1988	Falchetti	337/266	X
D316,270	S	*	4/1991	Mason, III	D19/35	
D318,855	S	*	8/1991	Tsuji et al.	D13/161	

D372,223	S	*	7/1996	Hanazaki et al.	D13/161	
D375,940	S	*	11/1996	Shimizu et al.	D13/161	
D407,692	S	*	4/1999	Lin	D13/161	
D408,367	S	*	4/1999	Heinl	D13/161	

FOREIGN PATENT DOCUMENTS

JP	5690354	7/1981
JP	598565	1/1983
JP	598566	1/1983

* cited by examiner

Primary Examiner—Brian N. Vinson

(74) *Attorney, Agent, or Firm*—SAIDMAN DesignLaw Group

(57) **CLAIM**

The ornamental design for a fuse, as shown and described.

DESCRIPTION

FIG. 1 is a perspective view of a fuse showing our new design;

FIG. 2 is a front view thereof;

FIG. 3 is a rear view thereof;

FIG. 4 is a top view thereof;

FIG. 5 is a bottom view thereof;

FIG. 6 is a left side view thereof; and,

FIG. 7 is right side view thereof.

1 Claim, 1 Drawing Sheet

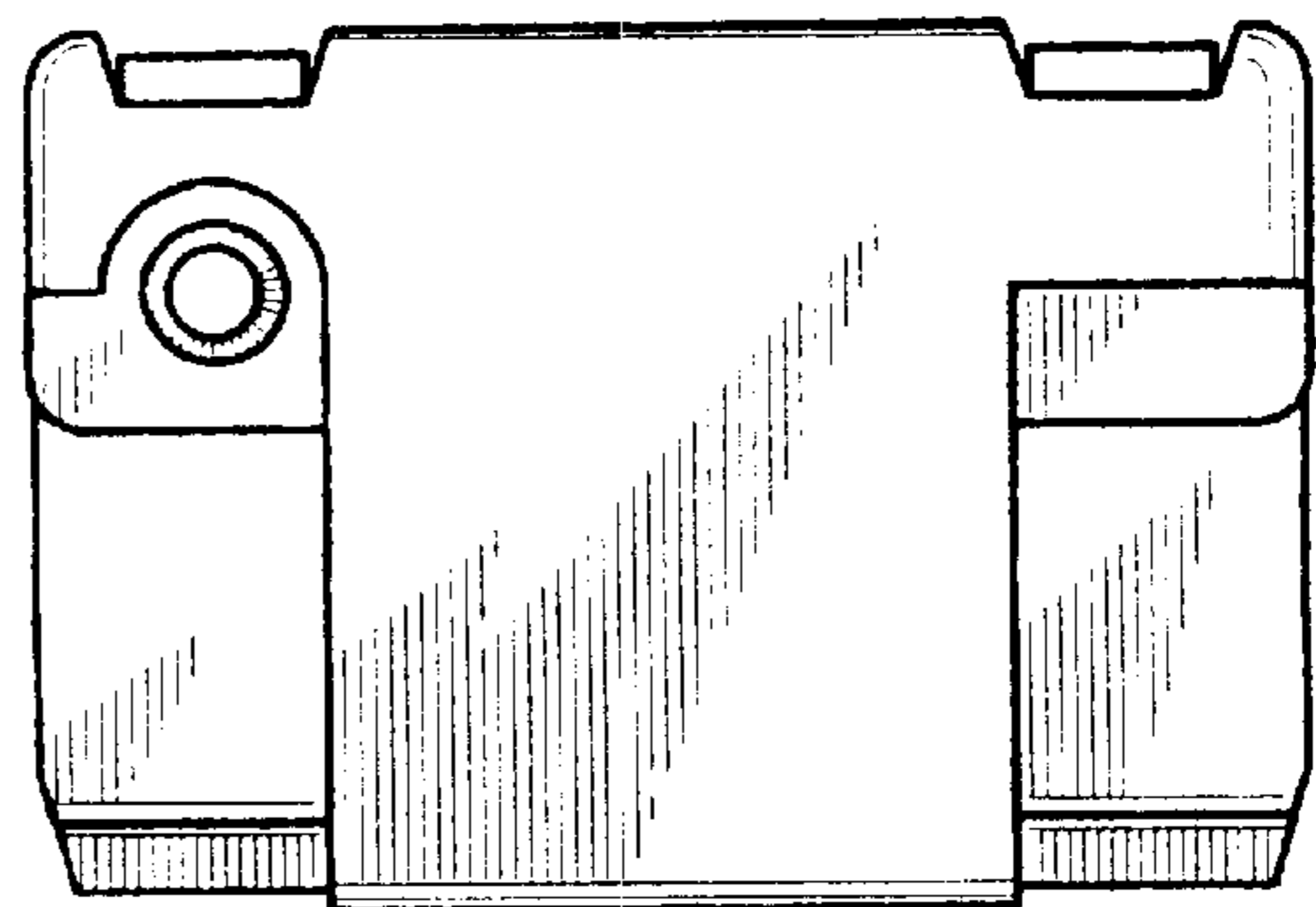
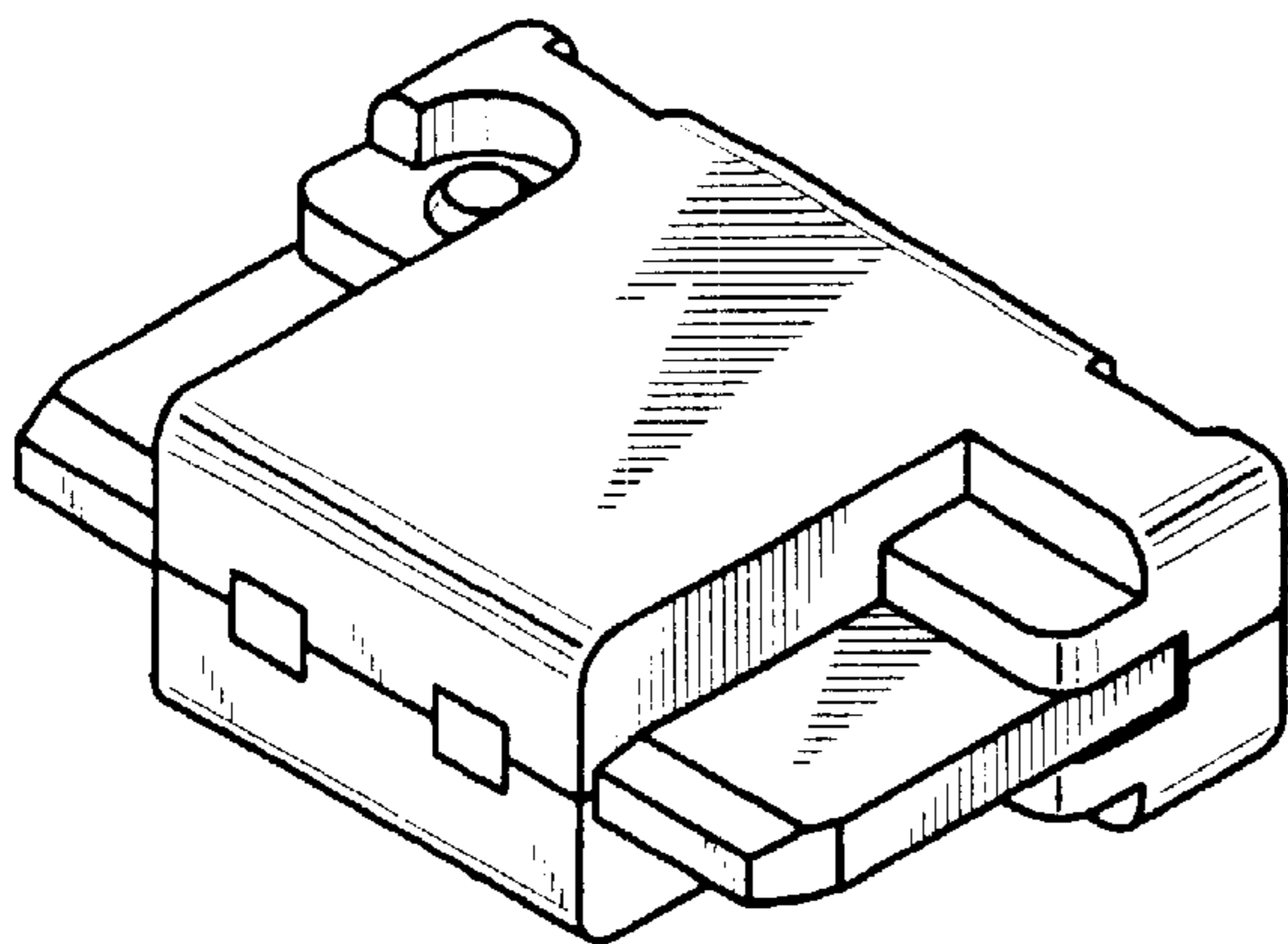


FIG. 1

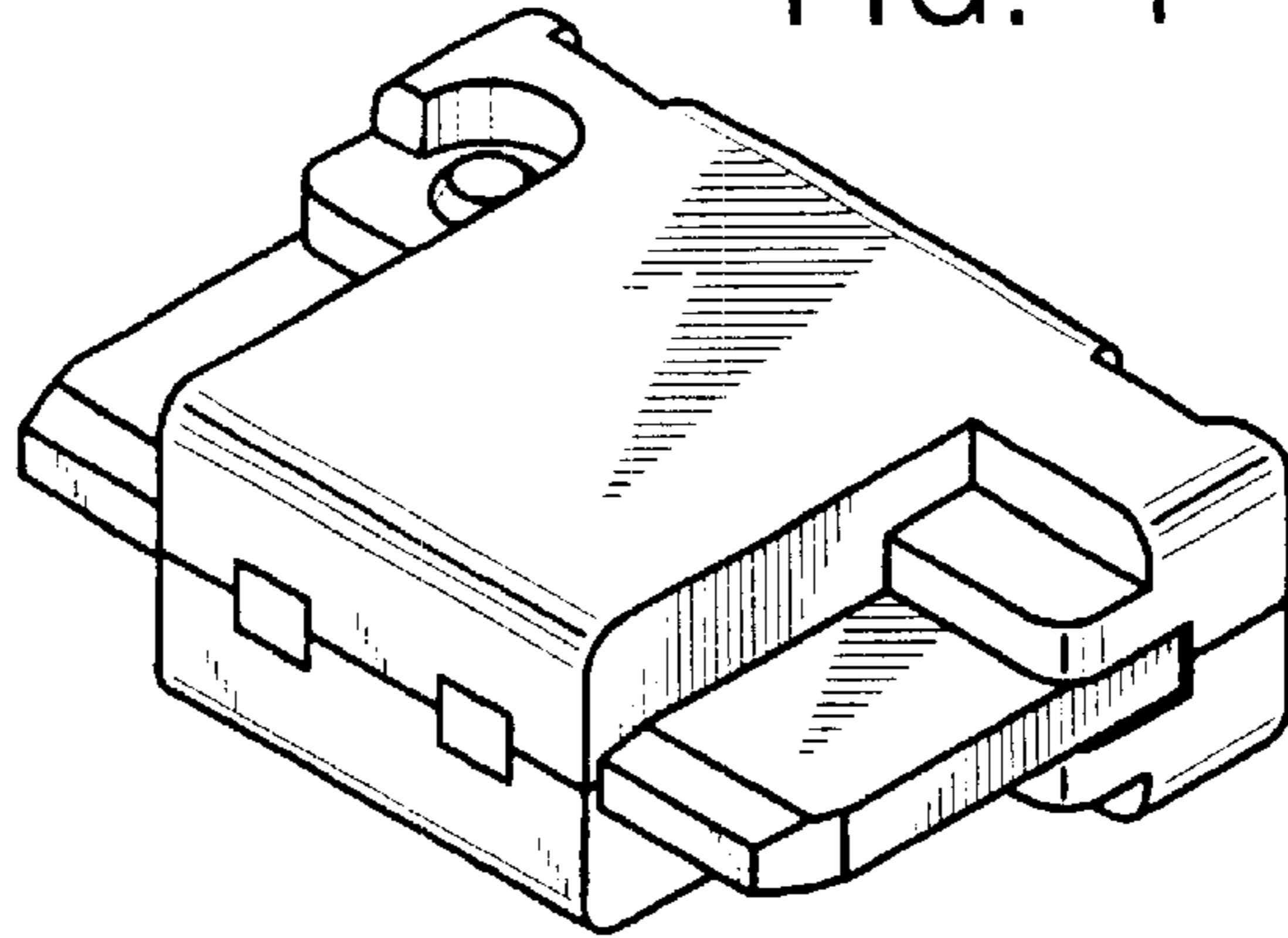


FIG. 2

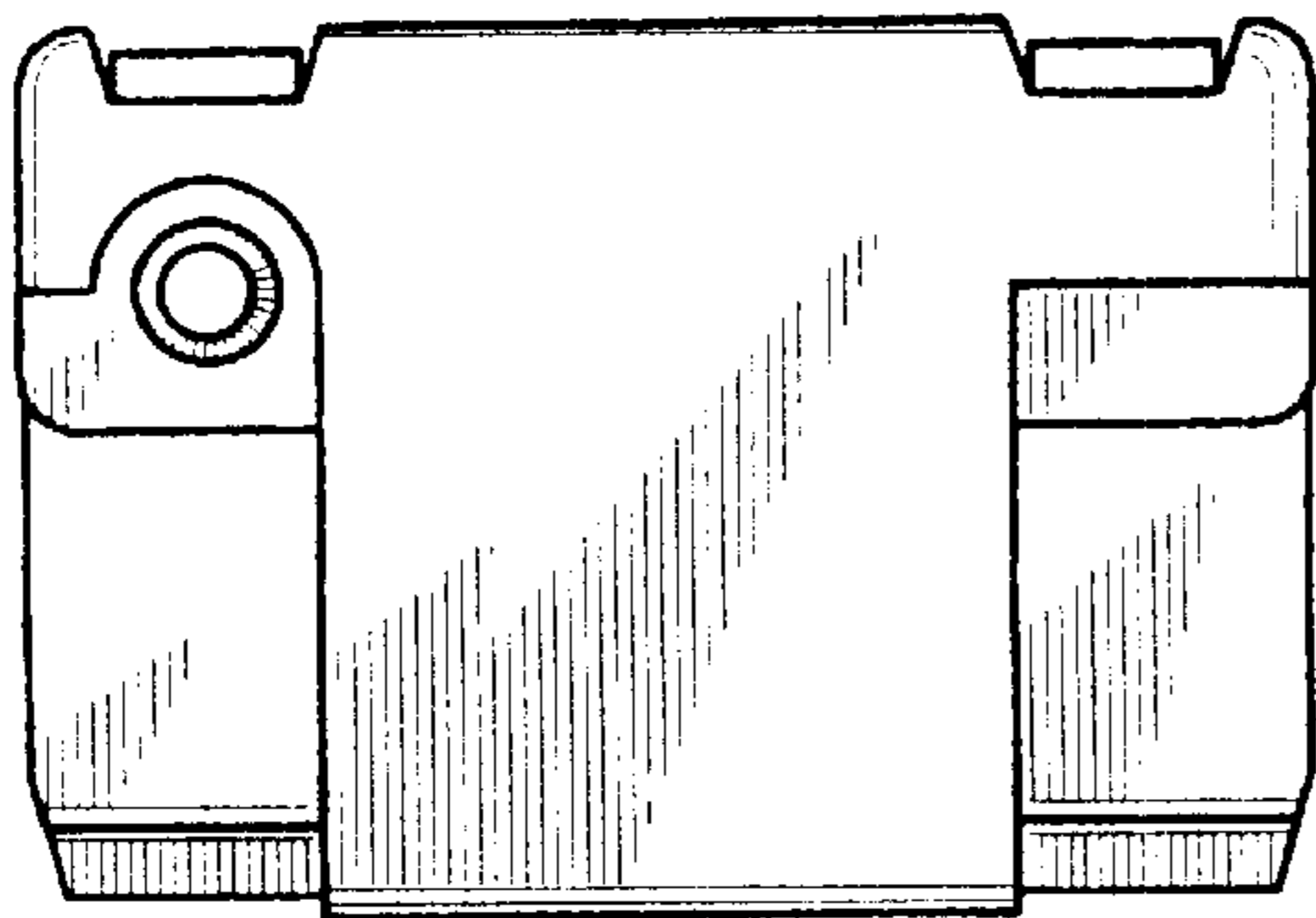


FIG. 3

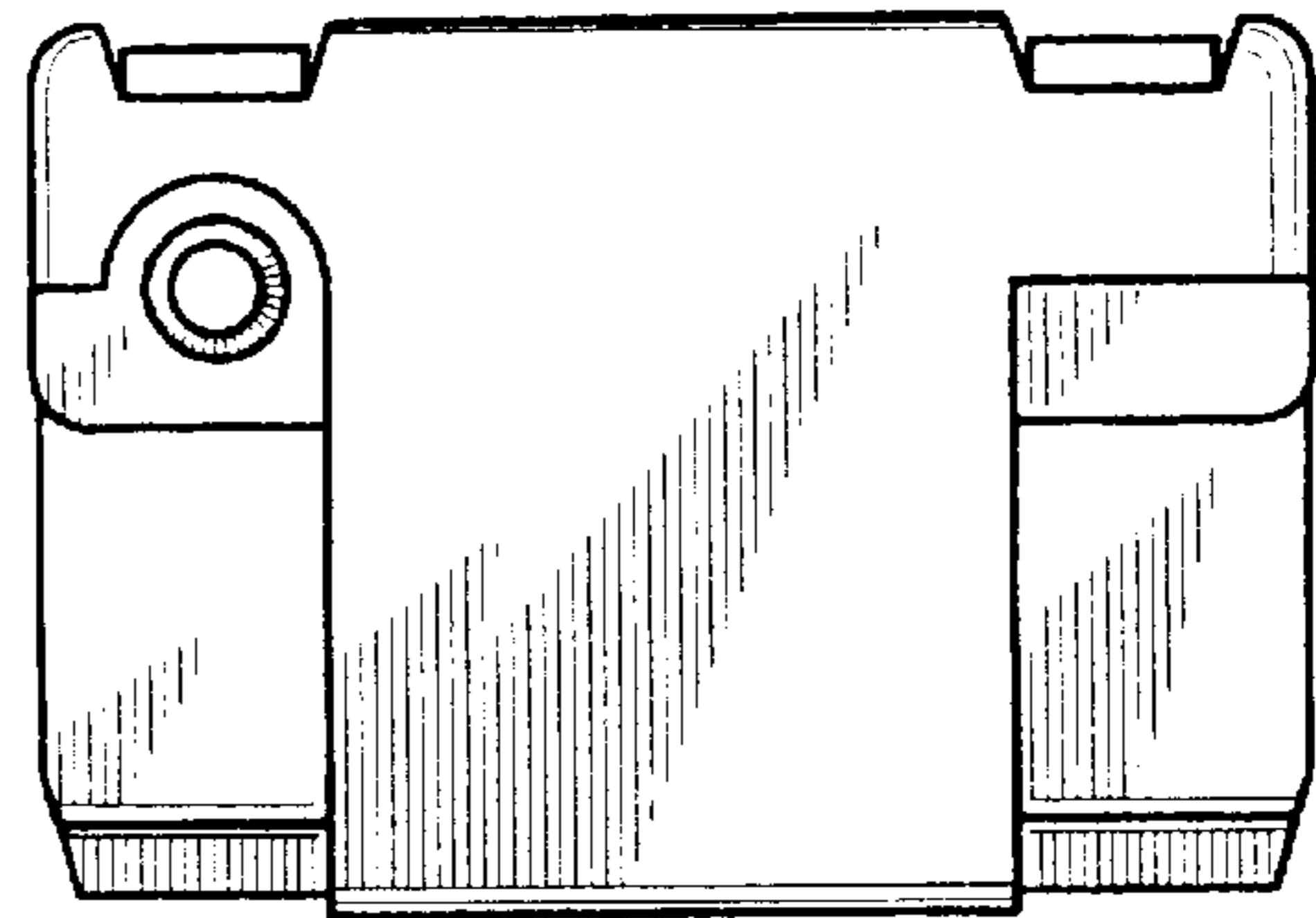


FIG. 4

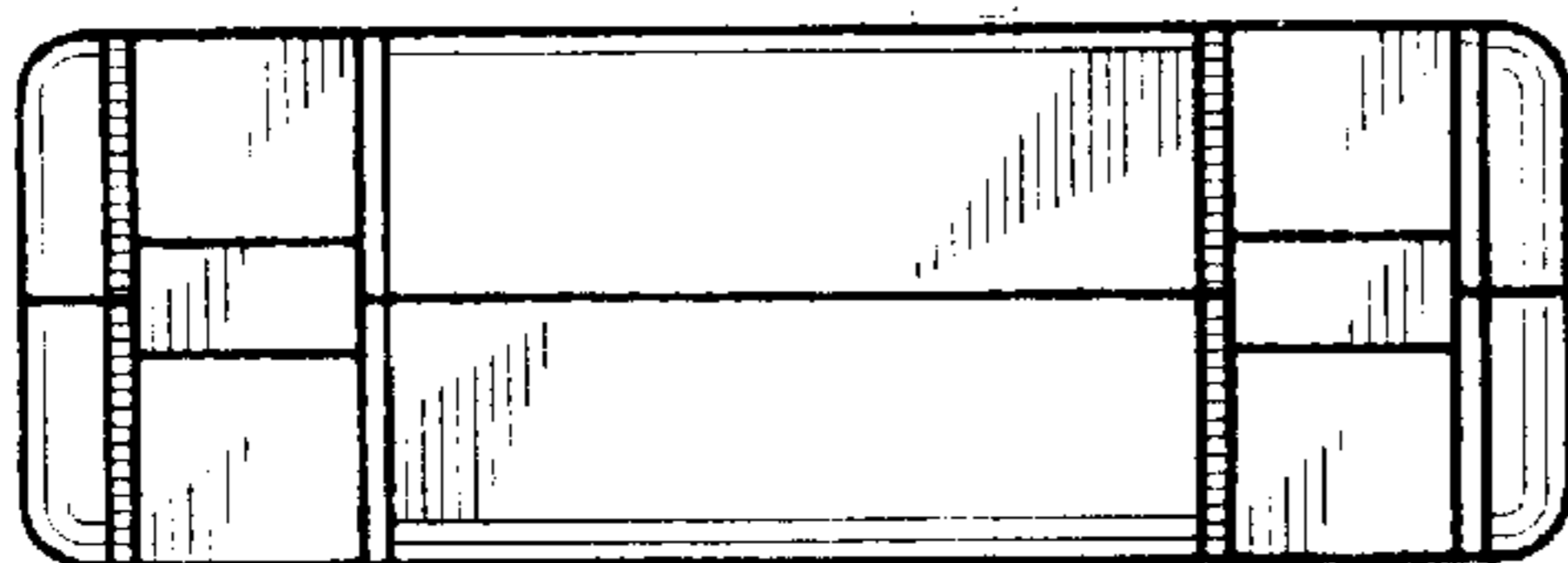


FIG. 5

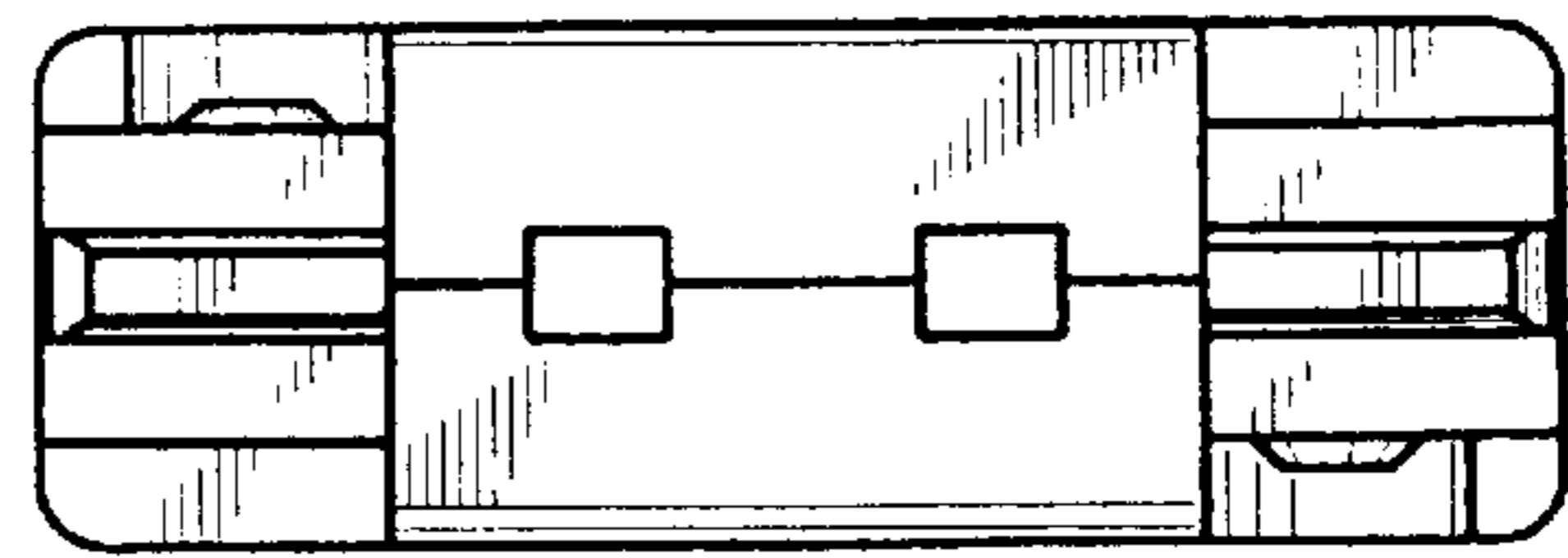


FIG. 6

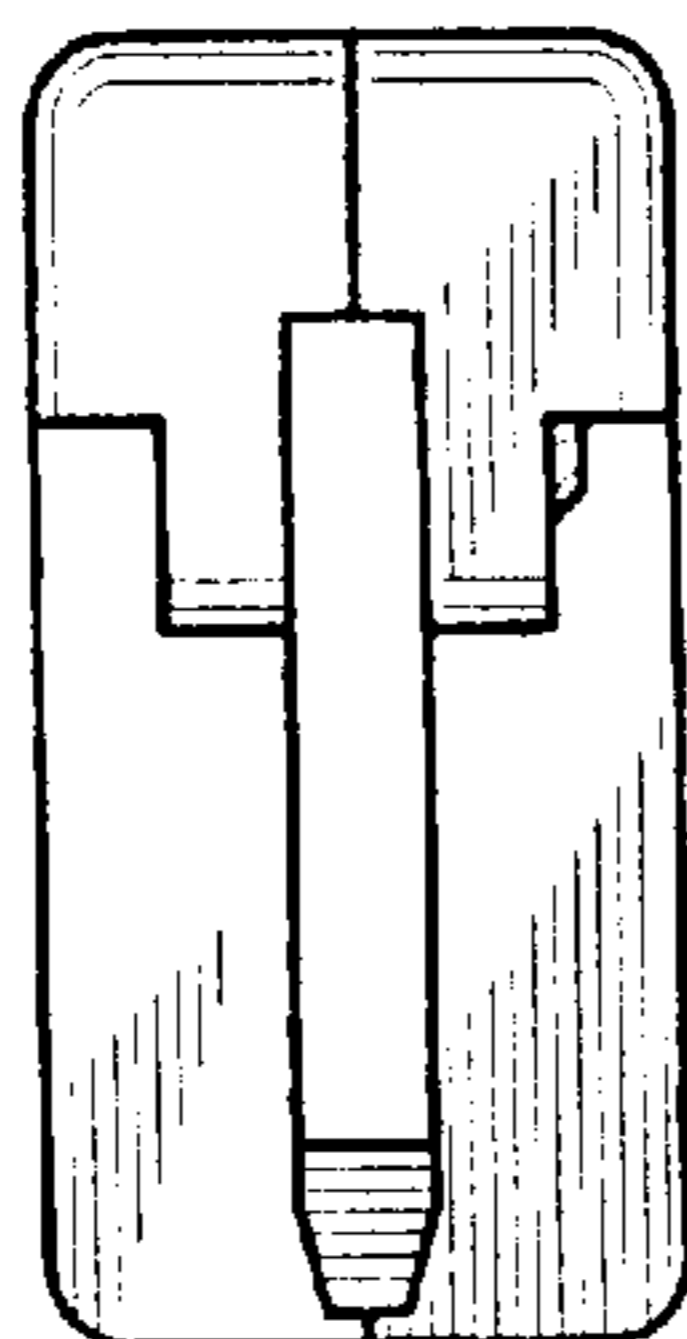


FIG. 7

