



US00D454841S

(12) **United States Design Patent**
Nakashima et al.

(10) **Patent No.:** **US D454,841 S**
(45) **Date of Patent:** **** Mar. 26, 2002**

(54) **ELECTRIC CONNECTOR WITH A CABLE**

(75) Inventors: **Terumi Nakashima**, Takatsuki;
Takashi Suyama, Amagasaki;
Kiyohiko Chiran, Takarazuka, all of
(JP)

(73) Assignee: **J.S.T. Mfg. Co., LTD**, Osaka (JP)

(**) Term: **14 Years**

(21) Appl. No.: **29/141,072**

(22) Filed: **May 1, 2001**

(30) **Foreign Application Priority Data**

Nov. 1, 2000 (JP) 2000-031308

(51) **LOC (7) Cl.** **13-03**

(52) **U.S. Cl.** **D13/146; D13/147; D13/153**

(58) **Field of Search** **D13/146, 147,**
D13/153; 439/502, 696, 687

(56) **References Cited**

U.S. PATENT DOCUMENTS

2,748,359	A	*	5/1956	Swan	439/502
3,918,020	A	*	11/1975	DuRocher	338/114
4,015,070	A	*	3/1977	Theurer	174/52.1
D315,545	S	*	3/1991	Akaba et al.	D13/147
5,026,301	A	*	6/1991	Balyasny et al.	439/391
D335,864	S	*	5/1993	Kensaku et al.	D13/133
D356,997	S	*	4/1995	Lehmann	D13/146
D363,700	S	*	10/1995	Buongervino et al.	D13/147
D366,646	S	*	1/1996	Carr	D13/146
5,885,088	A	*	3/1999	Brennan et al.	439/680

D409,149	S	*	5/1999	Oikawa	D13/153
D409,150	S	*	5/1999	Davis et al.	D13/153
D416,542	S	*	11/1999	Tsai	D13/153
D416,868	S	*	11/1999	Tsai	D13/153
D427,150	S	*	6/2000	Kuo	D13/147
D430,540	S	*	9/2000	Nishio et al.	D13/147
D447,734	S	*	9/2001	Nakashima et al.	D13/153
D447,735	S	*	9/2001	Nakashima et al.	D13/153
D447,736	S	*	9/2001	Nakashima et al.	D13/153

* cited by examiner

Primary Examiner—Joel Sincavage

(74) *Attorney, Agent, or Firm*—Antonelli, Terry, Stout & Kraus, LLP

(57) **CLAIM**

The ornamental design for an electric connector with a cable, as shown and described.

DESCRIPTION

FIG. 1 is a top plan view;
FIG. 2 is a front elevation;
FIG. 3 is a left-side elevation;
FIG. 4 is a right-side elevation perspective view;
FIG. 5 is a rear elevation;
FIG. 6 is a bottom plan view rear elevation; and,
FIG. 7 is a perspective view.

The present design is characterized in that a plug-shaped member disposed at one of opposite cable protrudes perpendicularly from the cable, and a socket member disposed at the other end and having lateral eyed-ears extends axially of the cable, and in that the eyed-ears lie in a plane which includes the bottom face of the socket member.

1 Claim, 3 Drawing Sheets

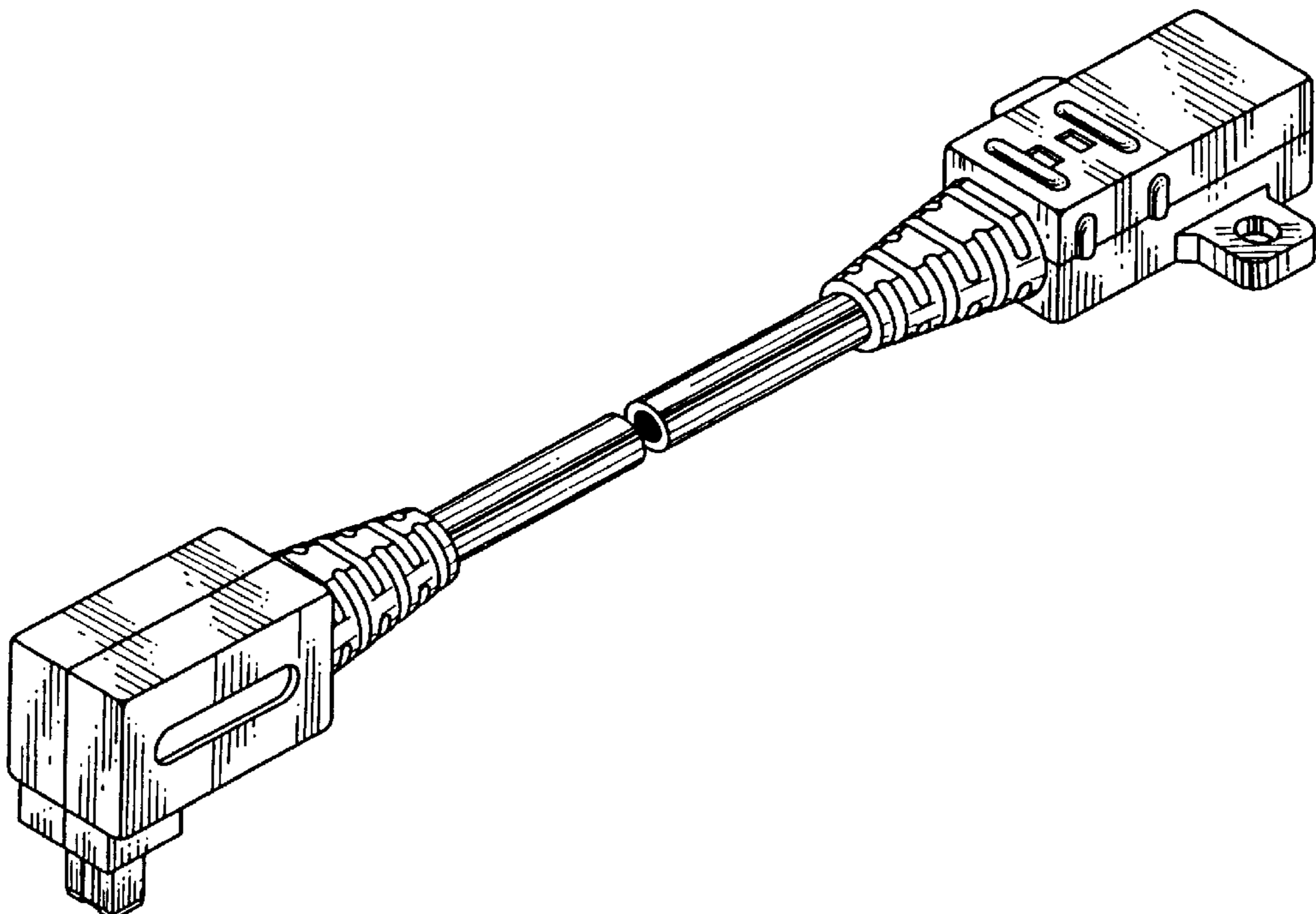


Fig. 1

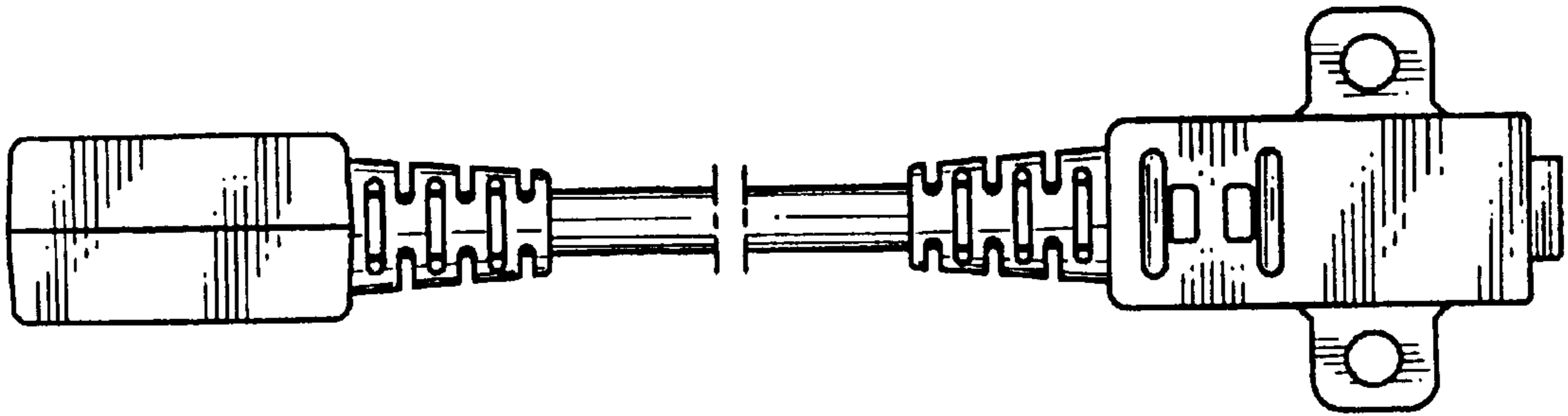


Fig. 2

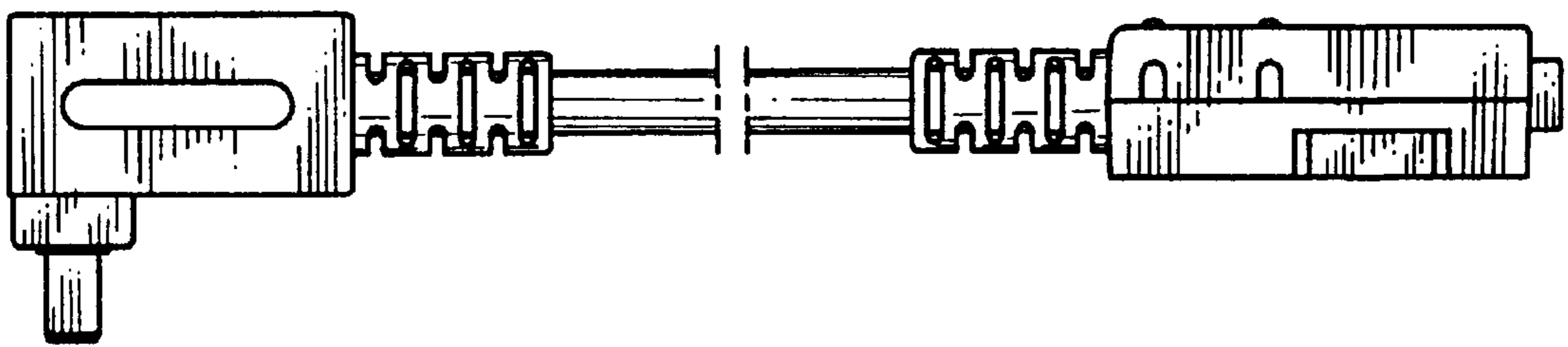


Fig. 3

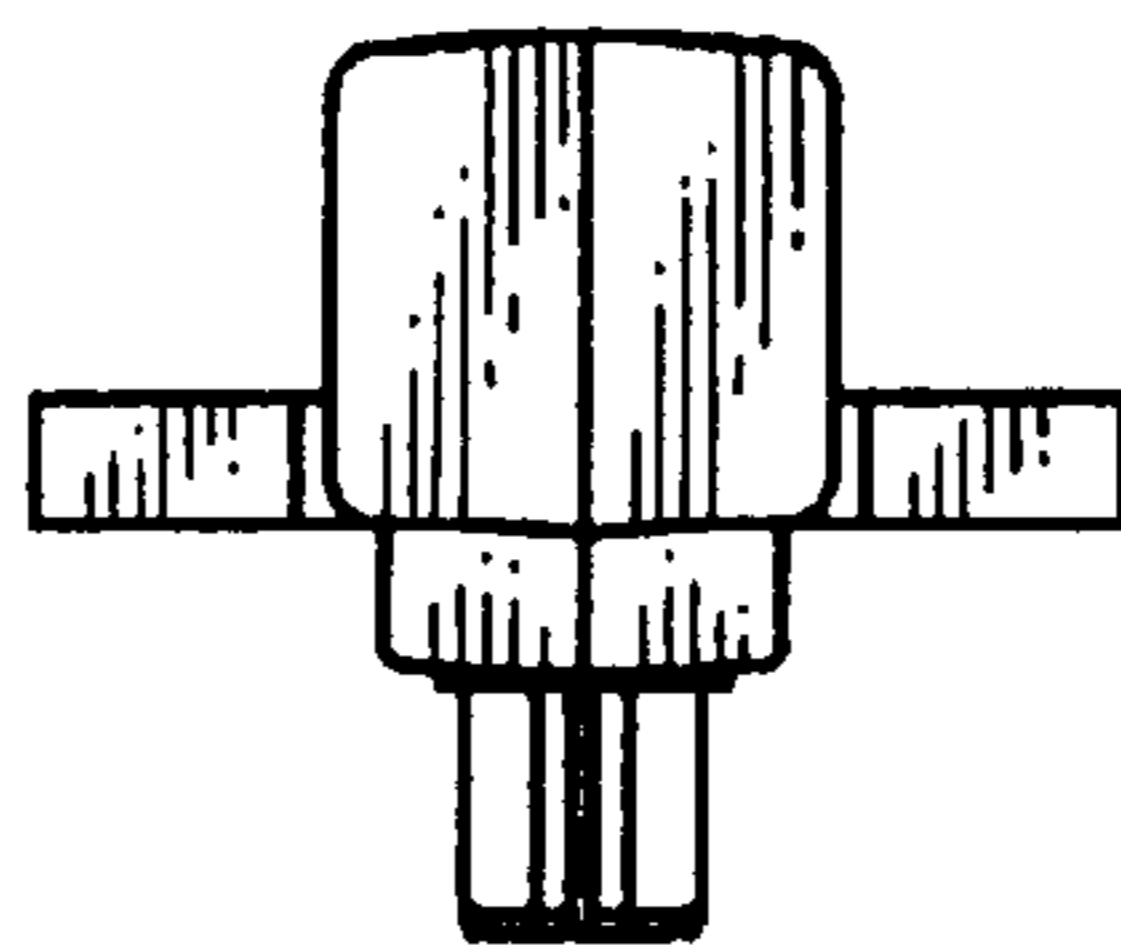


Fig. 4

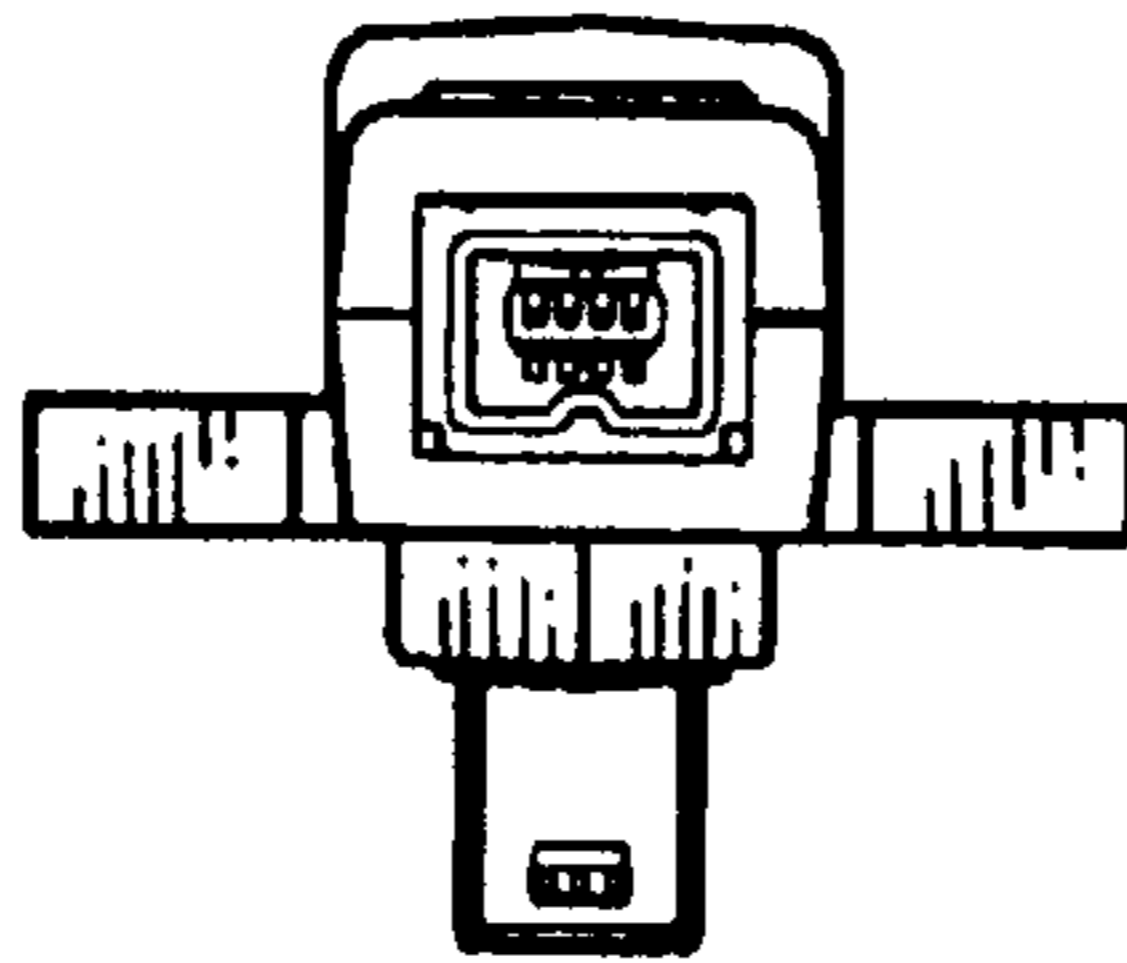


Fig. 5

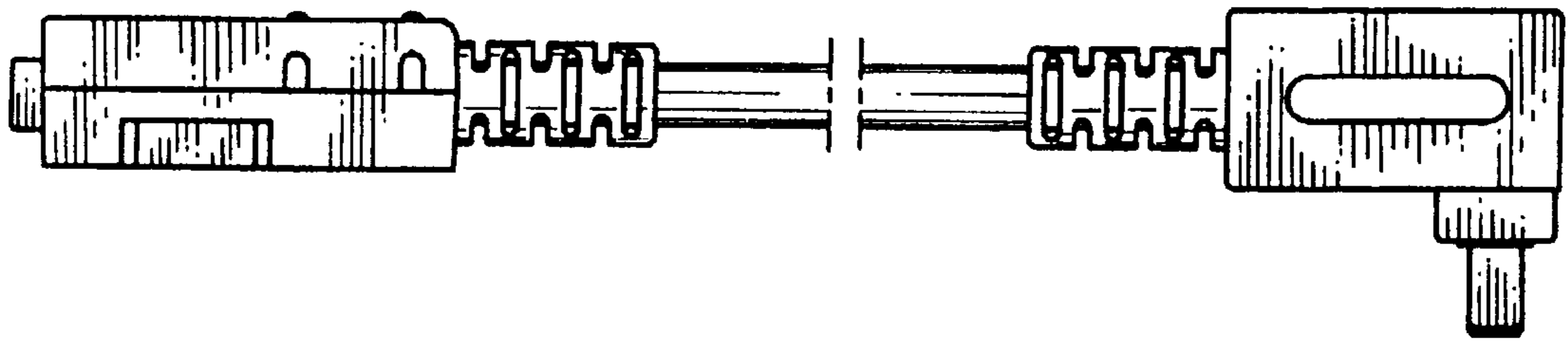


Fig. 6

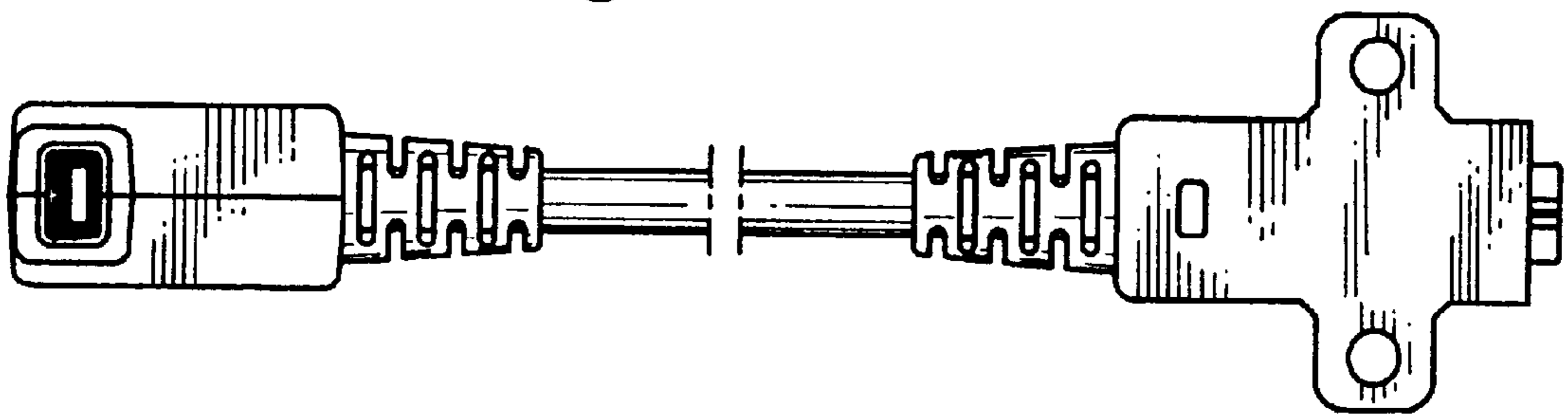


Fig. 7

