



US00D454840S

(12) **United States Design Patent**
Ohbayashi et al.

(10) **Patent No.:** **US D454,840 S**

(45) **Date of Patent:** **** Mar. 26, 2002**

(54) **CONNECTOR WITH A SHUTTER FOR PHOTOELECTRIC CONVERSION**

(75) Inventors: **Yoshiaki Ohbayashi**, Nara; **Keiji Mine**, Yao; **Hiroshi Nakagawa**, Kyoto, all of (JP)

(73) Assignee: **Hosiden Corporation**, Osaka (JP)

(**) Term: **14 Years**

(21) Appl. No.: **29/145,342**

(22) Filed: **Jul. 23, 2001**

(30) **Foreign Application Priority Data**

Feb. 26, 2001 (JP) 2001-004454

(51) **LOC (7) Cl.** **13-03**

(52) **U.S. Cl.** **D13/133**

(58) **Field of Search** D13/133; 439/79, 439/83, 668, 669, 188

(56) **References Cited**

U.S. PATENT DOCUMENTS

- 4,165,147 A * 8/1979 Buck 439/188
- 4,598,970 A * 7/1986 Takihara 439/668
- 5,092,795 A * 3/1992 Kitagawa 439/668
- 6,077,126 A * 6/2000 Peng 439/668

- 6,220,899 B1 * 4/2001 Suzuki 439/669 X
- 6,224,409 B1 * 5/2001 Chang 439/188
- D449,273 S * 10/2001 Lin D13/133
- D449,274 S * 10/2001 Suzuki D13/133
- 6,312,274 B1 * 11/2001 Lin 439/188

* cited by examiner

Primary Examiner—Joel Sincavage

(74) *Attorney, Agent, or Firm*—Jones, Tullar & Cooper, P.C.

(57) **CLAIM**

The ornamental design for a connector with a shutter for photoelectric conversion, as shown and described.

DESCRIPTION

FIG. 1 is a front elevation view of a connector with a shutter for photoelectric conversion showing our new design; FIG. 2 is a rear elevation view thereof; FIG. 3 is a top plan view thereof; FIG. 4 is a bottom plan view thereof; FIG. 5 is a left side view thereof; FIG. 6 is a right side view thereof; FIG. 7 is a left side view thereof in the position wherein a shutter is entirely opened; and, FIG. 8 is a left side view thereof in the position wherein a shutter is half opened.

1 Claim, 4 Drawing Sheets

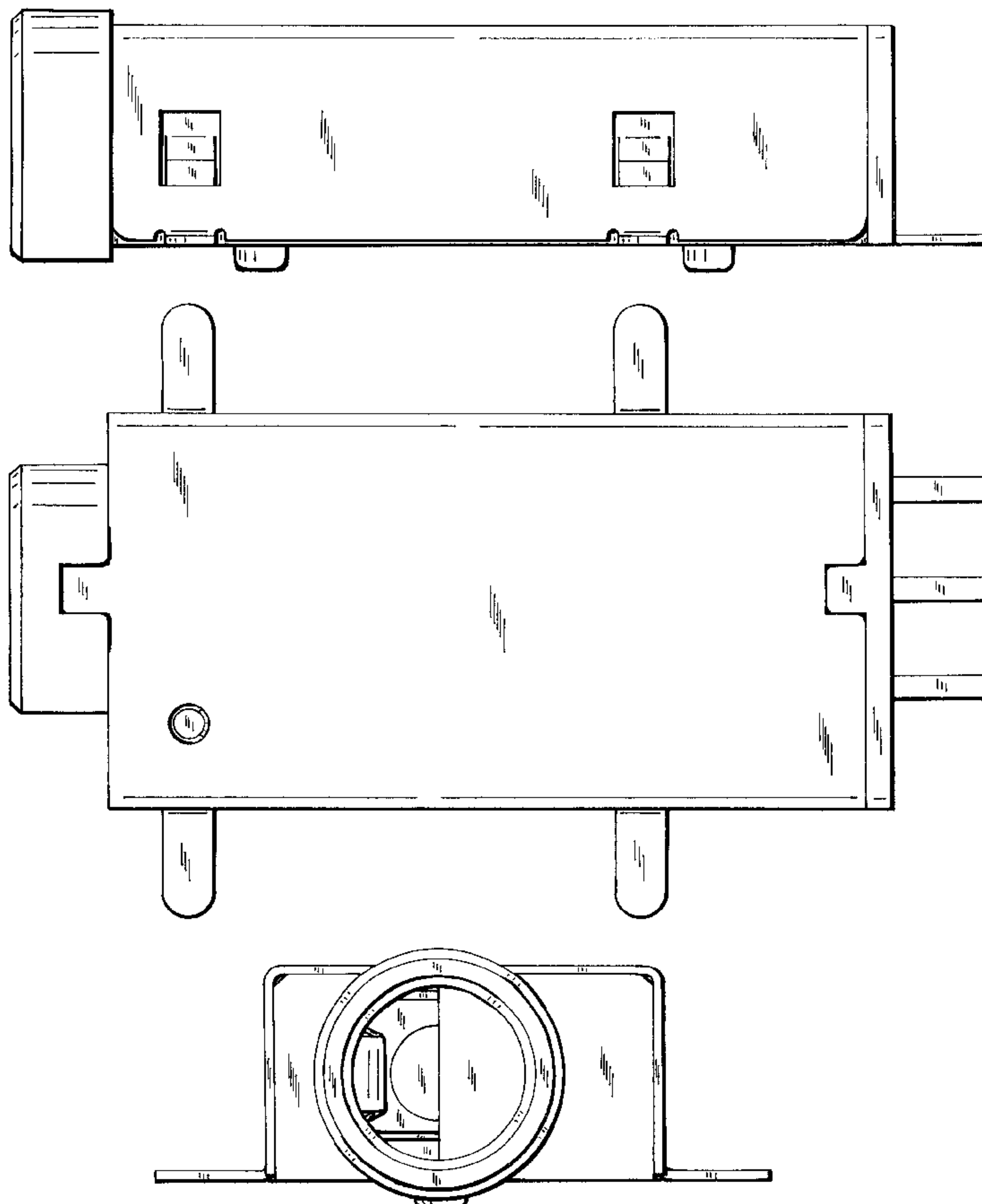


Fig. 1

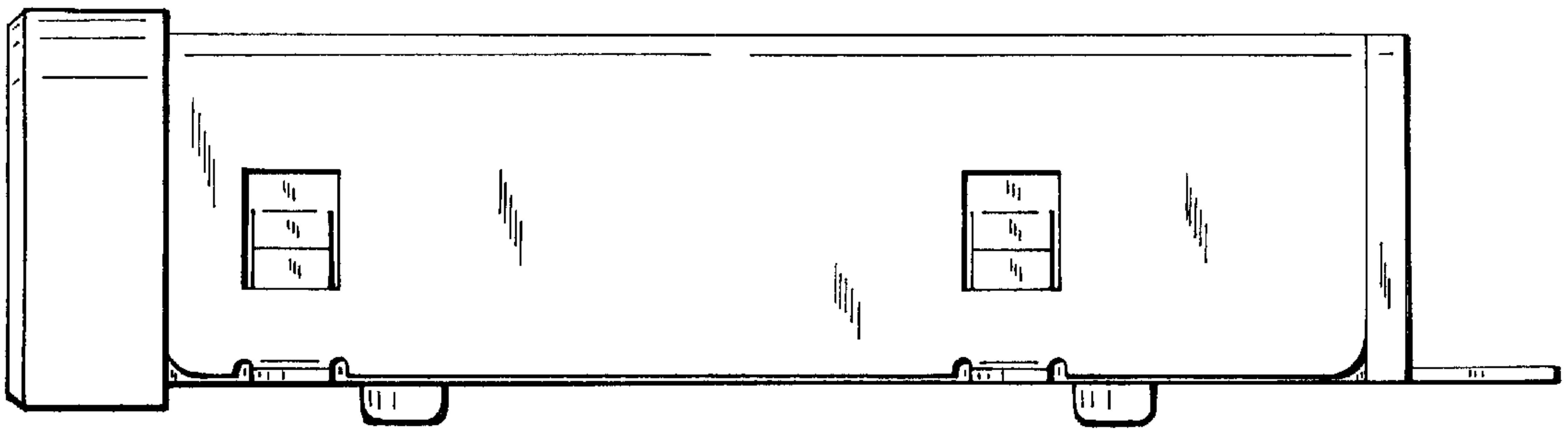


Fig. 2

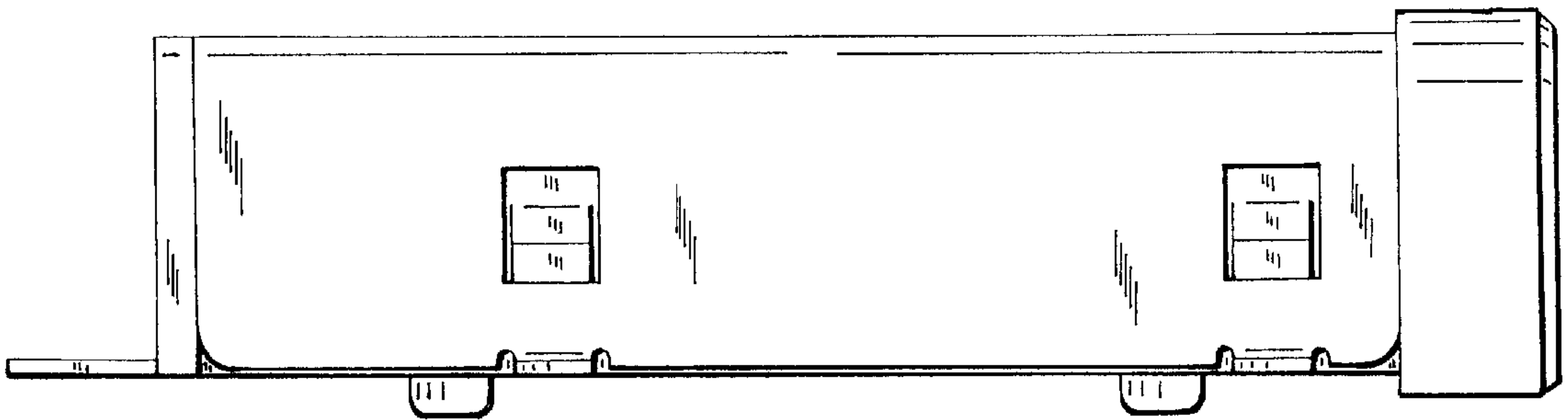


Fig. 3

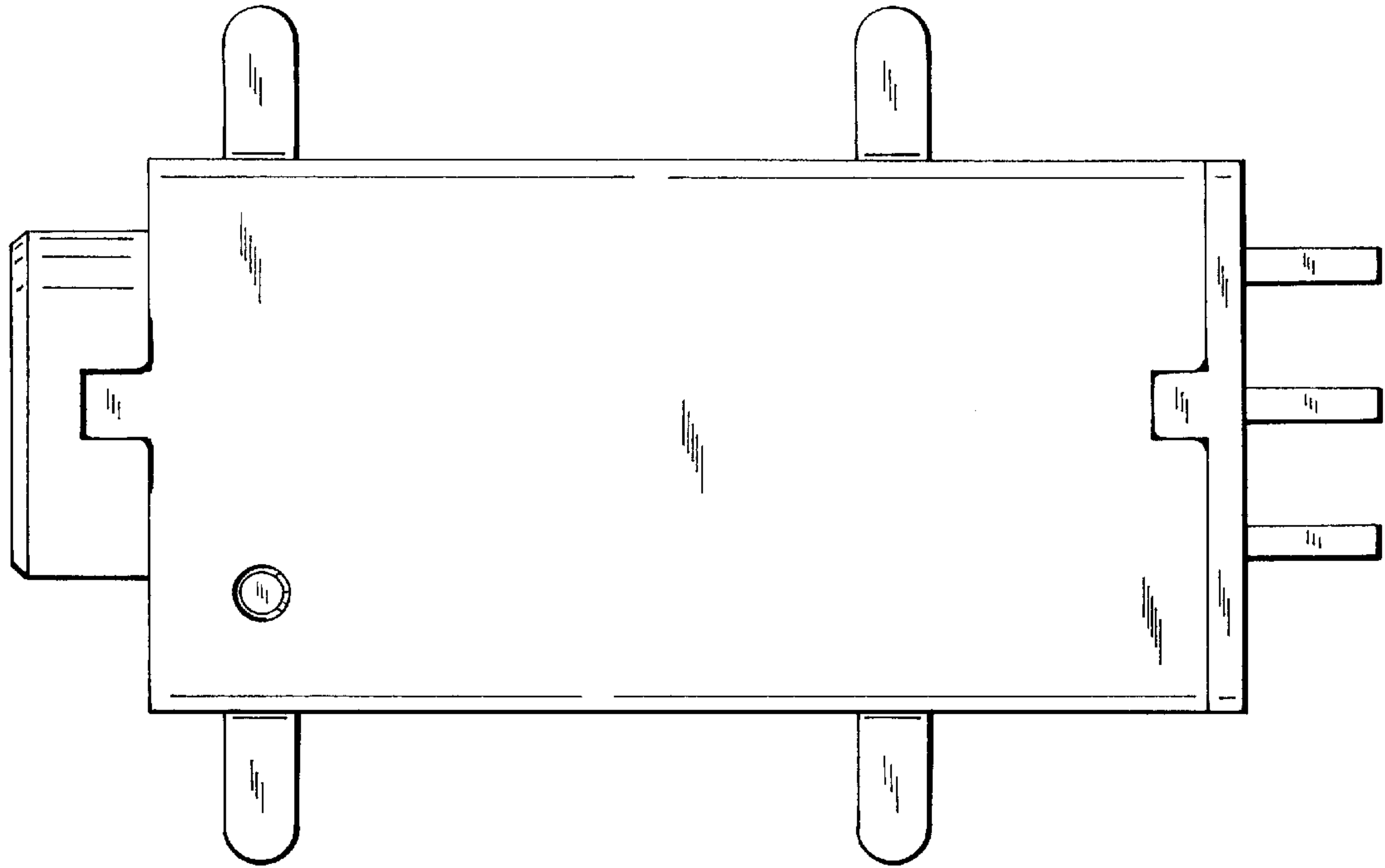


Fig. 4

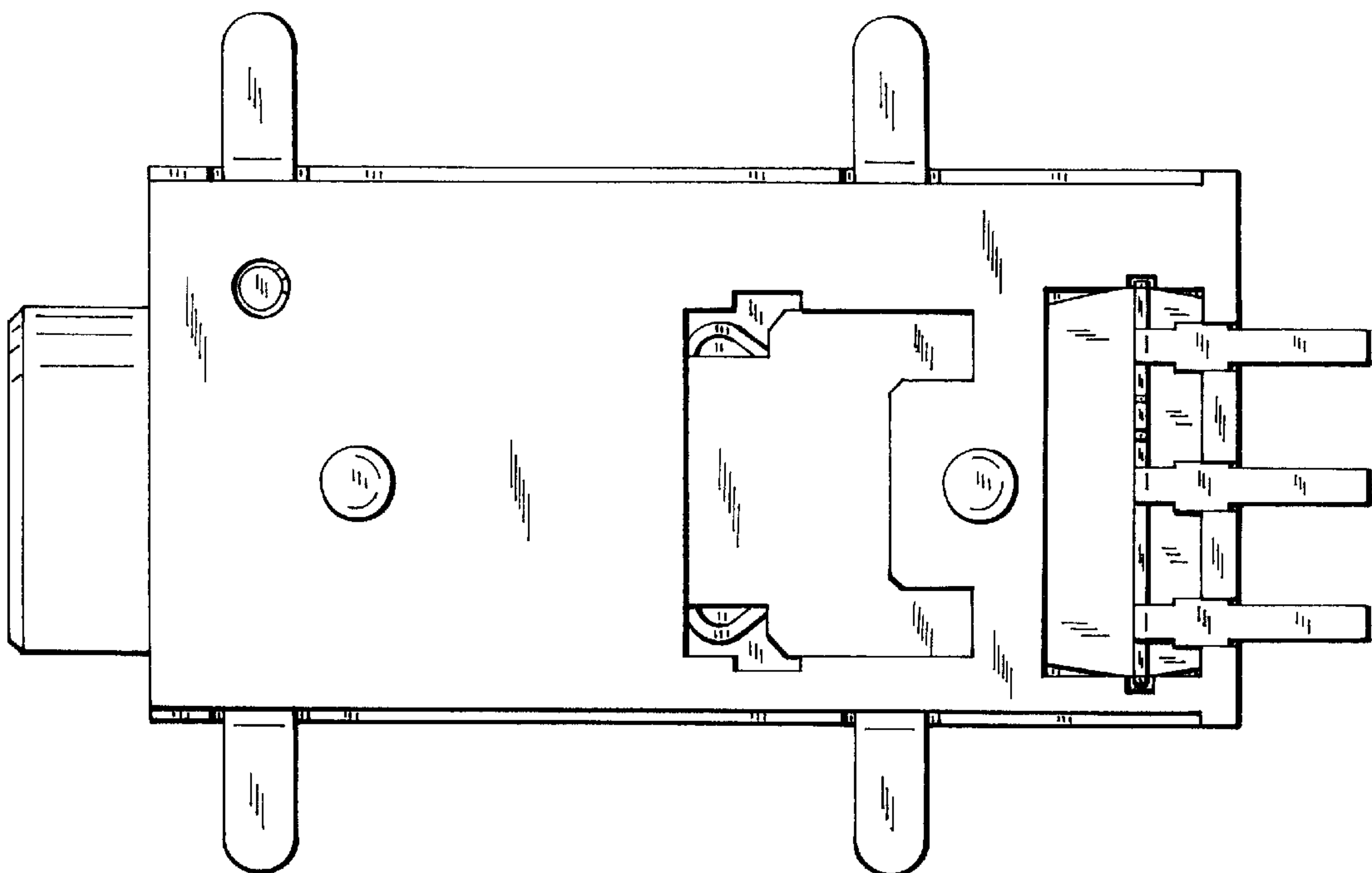


Fig. 5

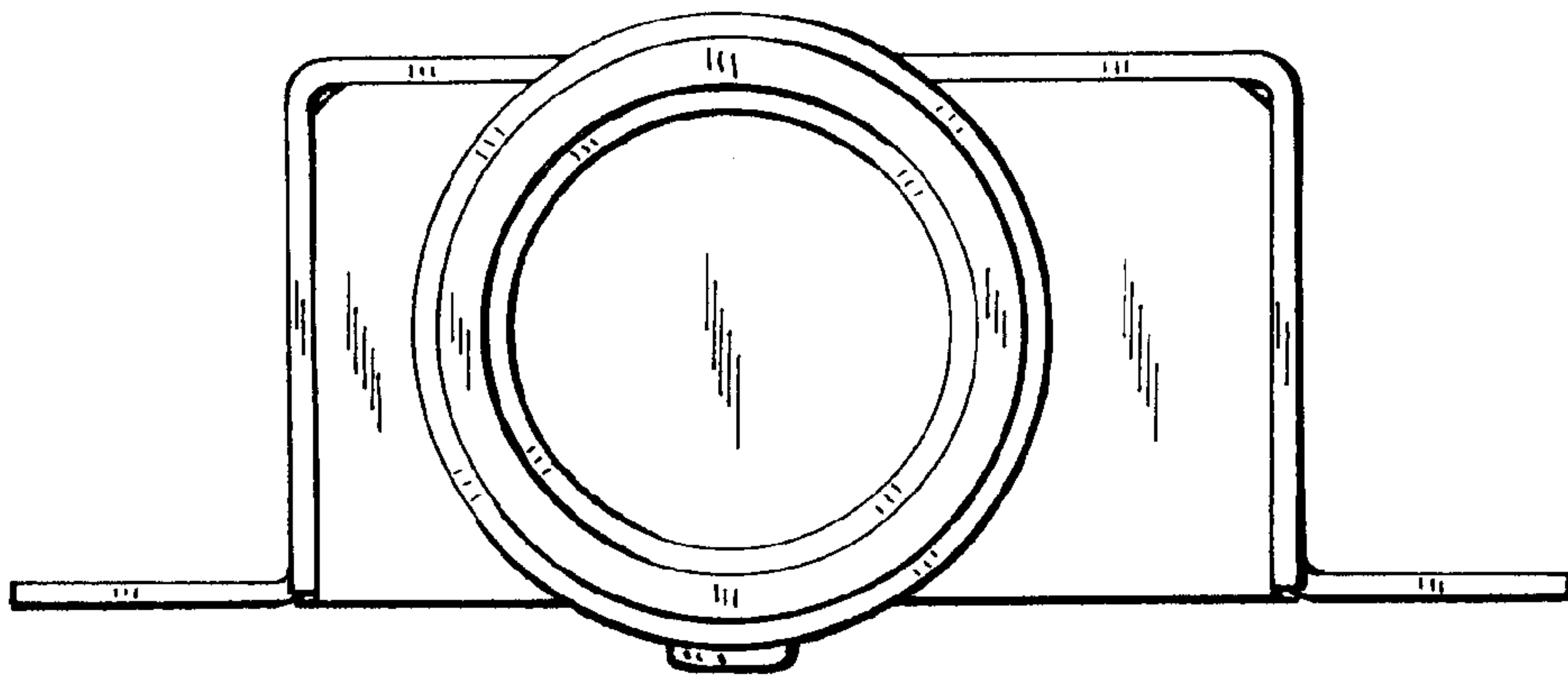


Fig. 6

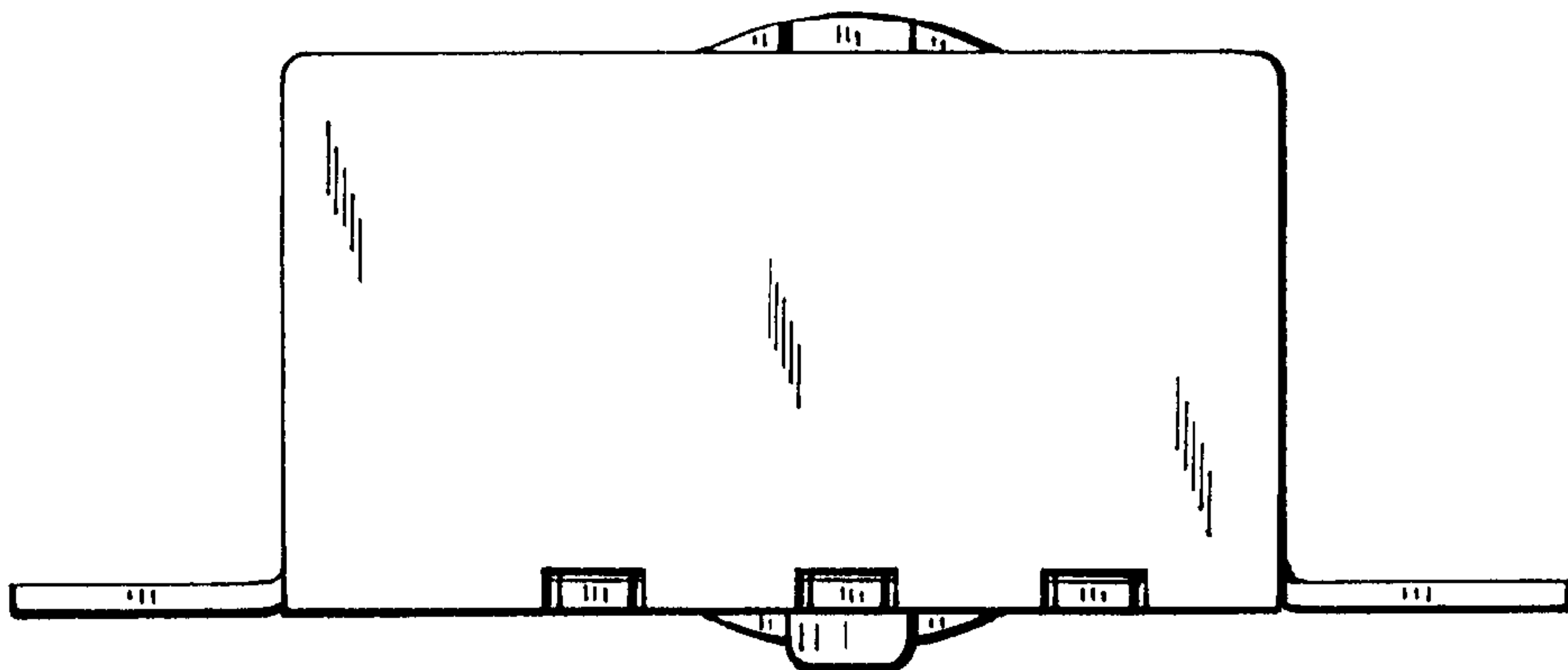


Fig. 7

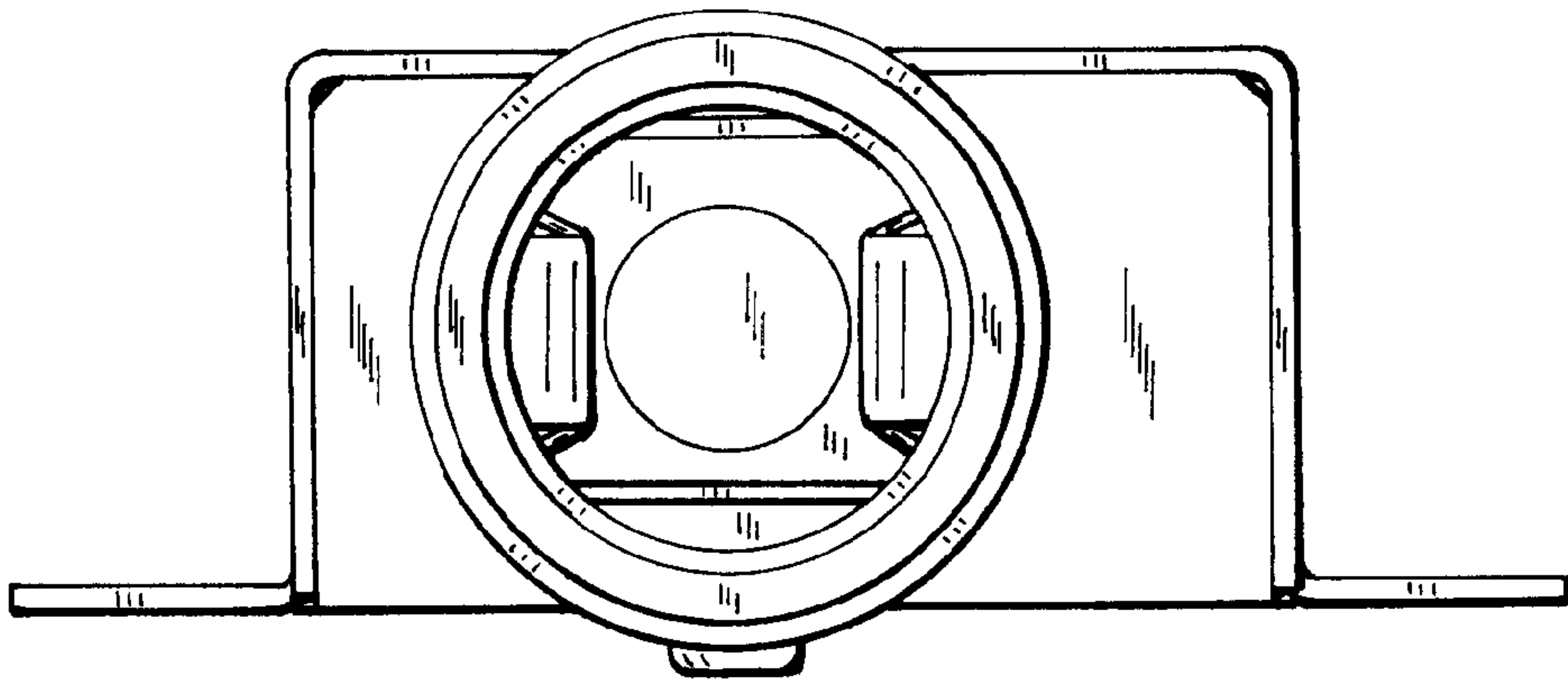


Fig. 8

