



US00D454837S

(12) **United States Design Patent**
Ibuki et al.

(10) **Patent No.:** **US D454,837 S**
(45) **Date of Patent:** **** Mar. 26, 2002**

(54) **BATTERY CHARGER**

(75) Inventors: **Masato Ibuki; Tsushima Takada**, both of Kyoto (JP)

(73) Assignee: **Nintendo Co., Ltd.** (JP)

(**) Term: **14 Years**

(21) Appl. No.: **29/144,429**

(22) Filed: **Jul. 3, 2001**

(30) **Foreign Application Priority Data**

Jan. 12, 2001 (JP) 2001-000270

(51) **LOC (7) Cl.** **13-02**

(52) **U.S. Cl.** **D13/107**

(58) **Field of Search** D13/106, 107;
320/107-115

(56) **References Cited**

U.S. PATENT DOCUMENTS

- 5,019,767 A 5/1991 Shirai et al.
- D331,220 S * 11/1992 Tsuchiya D13/107
- 5,550,452 A 8/1996 Shirai et al.
- D412,487 S * 8/1999 Nagele et al. D13/108
- D428,862 S * 8/2000 Queffelec et al. D13/184
- D442,544 S * 5/2001 Ku D13/107

FOREIGN PATENT DOCUMENTS

JP 2000285890 * 10/2000 H01M/10/46

OTHER PUBLICATIONS

Jeckson Electric Co Ltd—20-00061 All-in-One Battery Charger, AC Adapter and DC Power Supply—www.asia-globalsources.com—Accessed Sunday, Oct. 21, 2001.*

Vanson Electronics Ltd—V-2000 Computerized Super Fast Battery Charger Comes with Timer Control—www.asia-globalsources.com—Accessed Sunday, Oct. 21, 2001.*

* cited by examiner

Primary Examiner—Joel Sincavage

(74) *Attorney, Agent, or Firm*—Nixon & Vanderhye PC

(57) **CLAIM**

The ornamental design for a battery charger, as shown and described.

DESCRIPTION

FIG. 1 is a front, right and top perspective view of a battery charger showing our new design, a lid being closed;

FIG. 2 is a rear, left and bottom perspective view thereof;

FIG. 3 is a front elevational view thereof;

FIG. 4 is a rear elevational view thereof;

FIG. 5 is a top plan view thereof;

FIG. 6 is a bottom plan view thereof;

FIG. 7 is a right side view thereof, a left side being a mirror image;

FIG. 8 is a front, right and top perspective view of a battery charger showing our new design, the lid being opened;

FIG. 9 is a front elevational view thereof; a plug being stood;

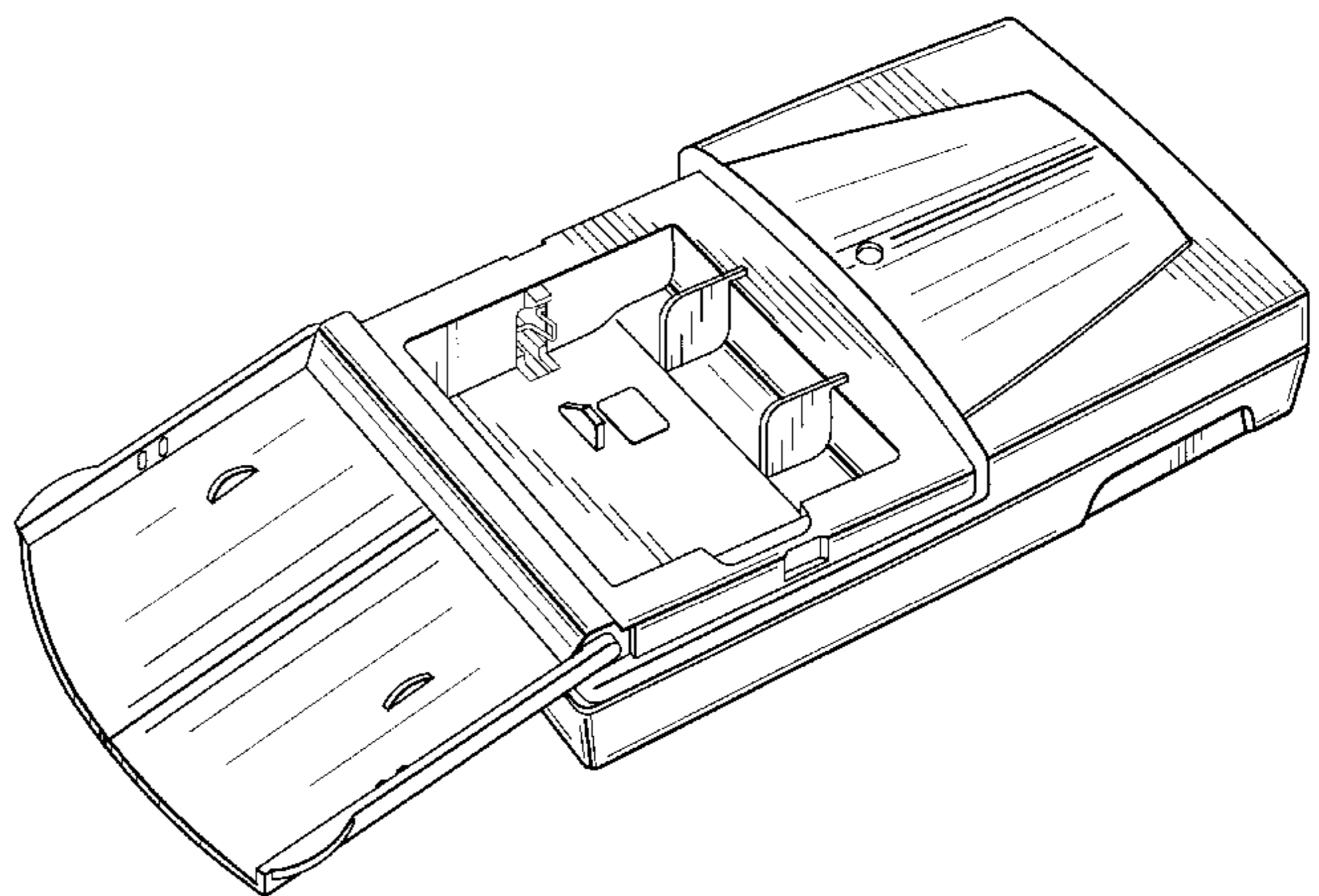
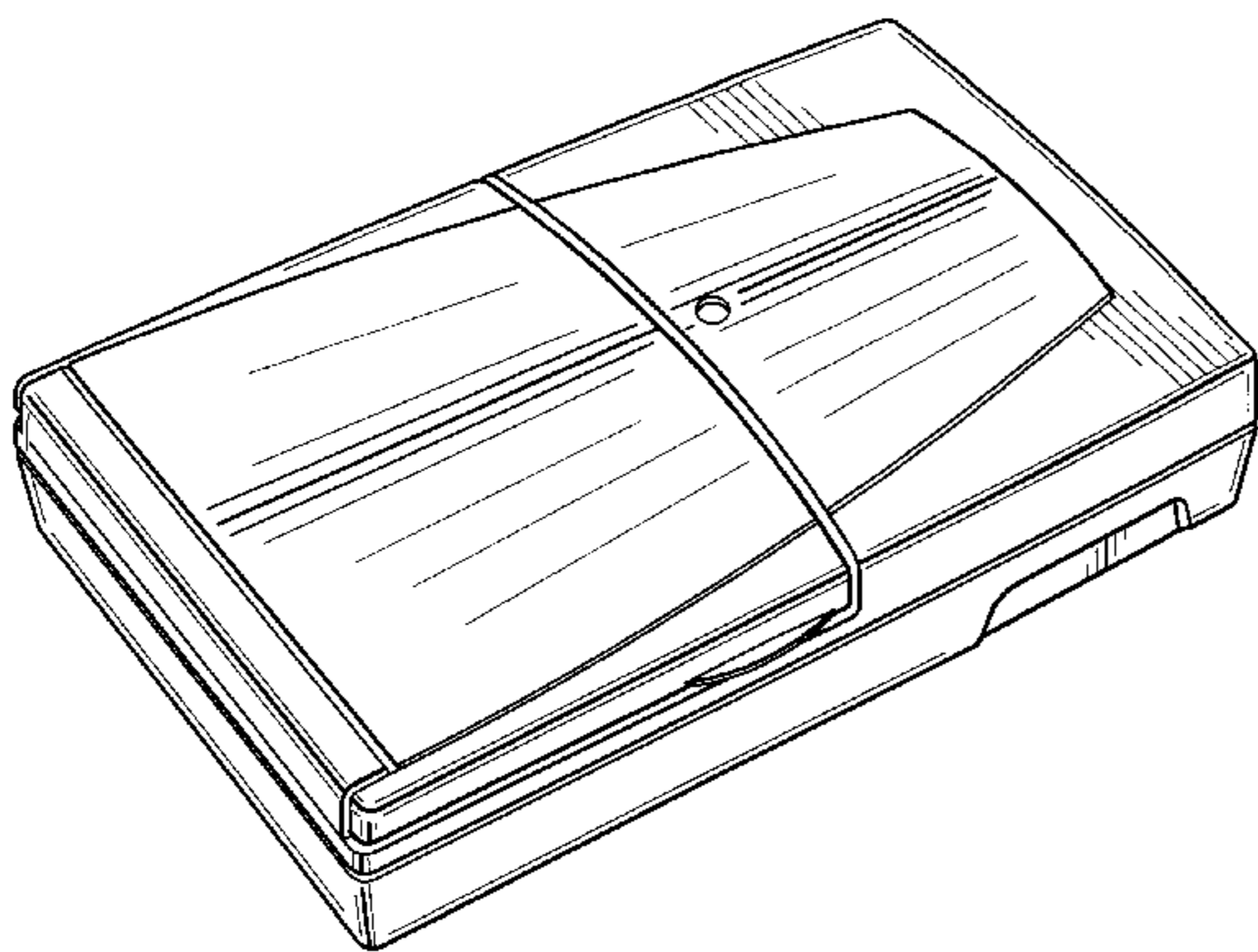
FIG. 10 is a rear elevational view thereof;

FIG. 11 is a top plan view thereof;

FIG. 12 is a bottom plan view thereof; and,

FIG. 13 is a right side view thereof, a left side being a mirror image.

1 Claim, 8 Drawing Sheets



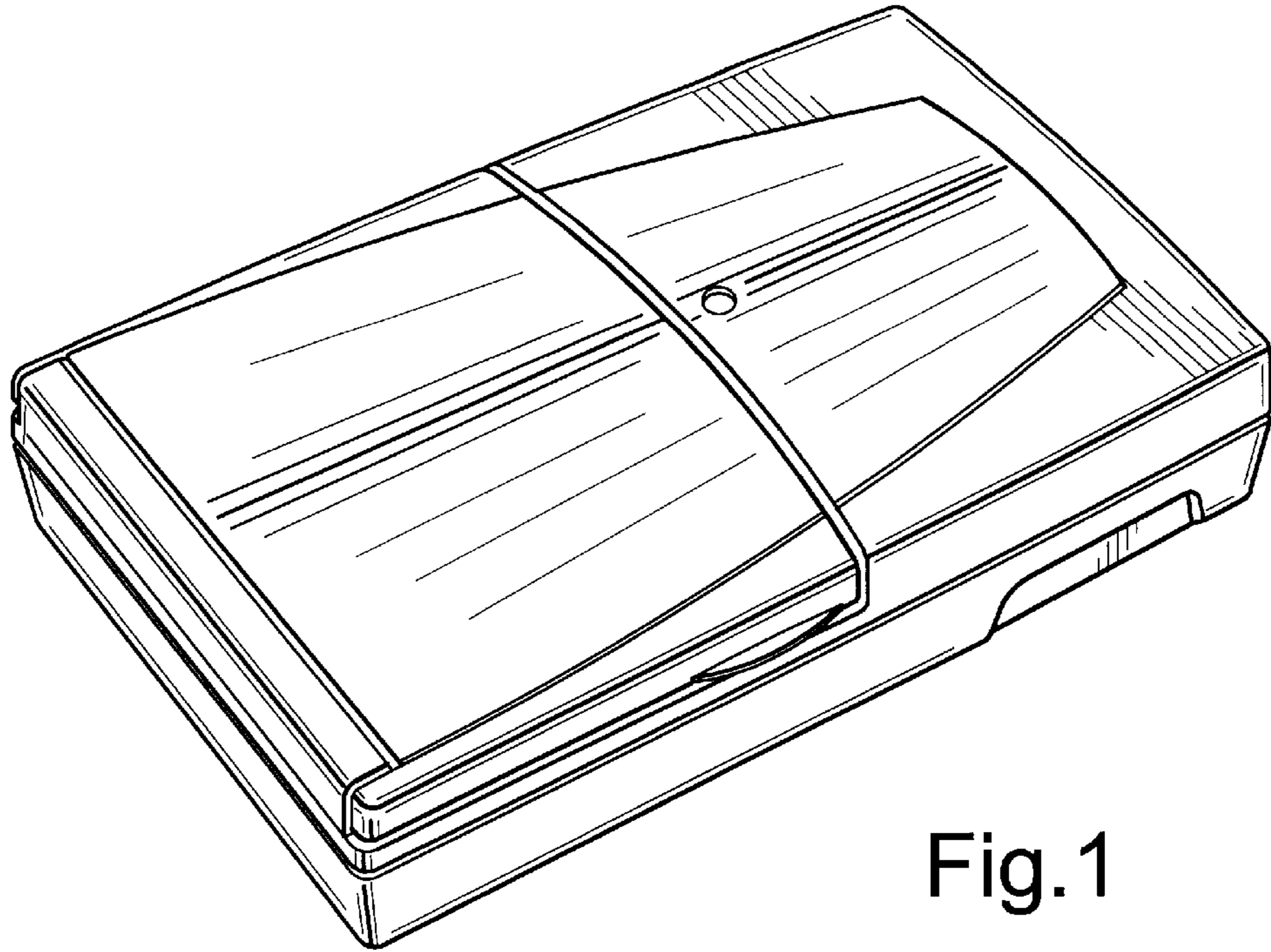


Fig.1

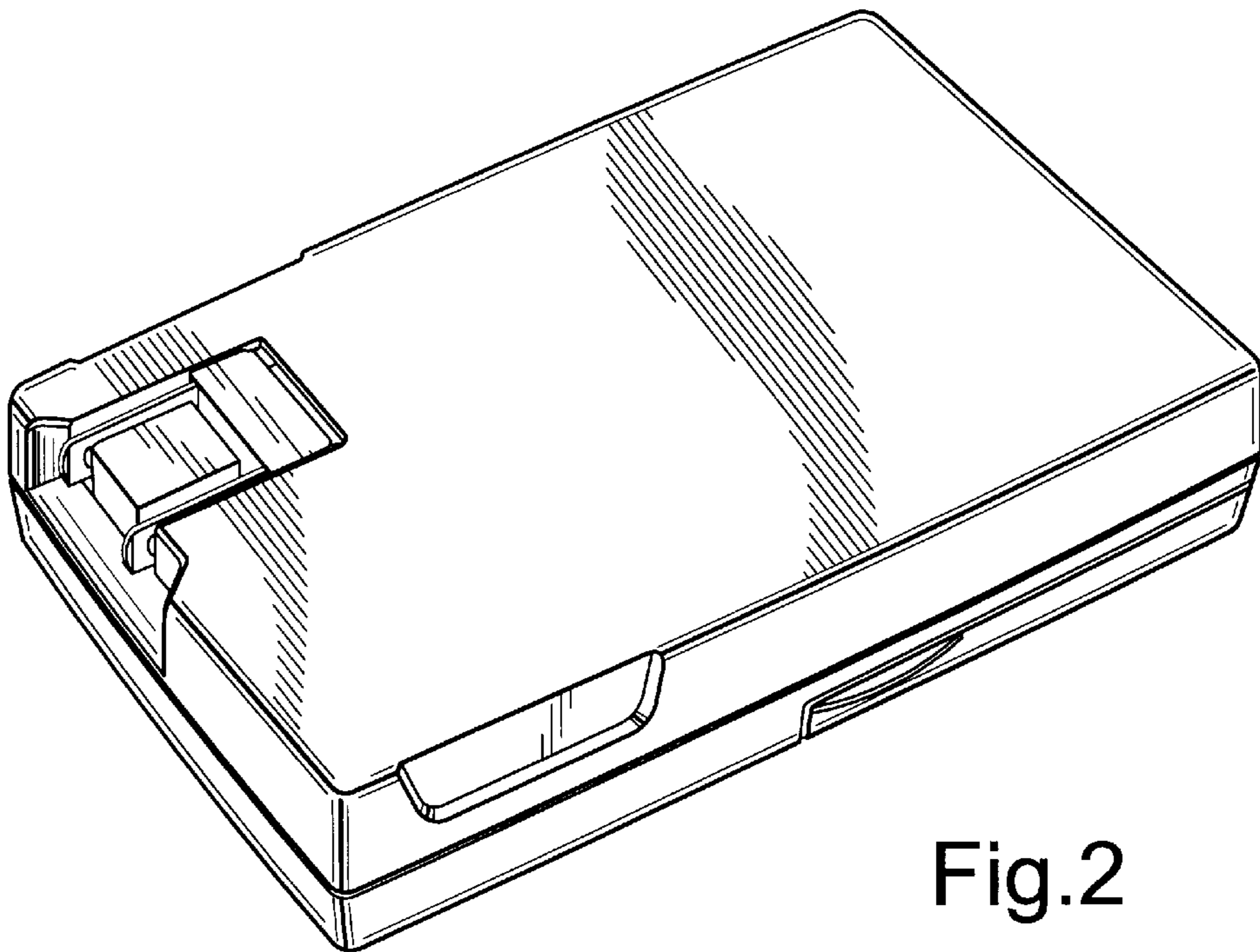


Fig.2

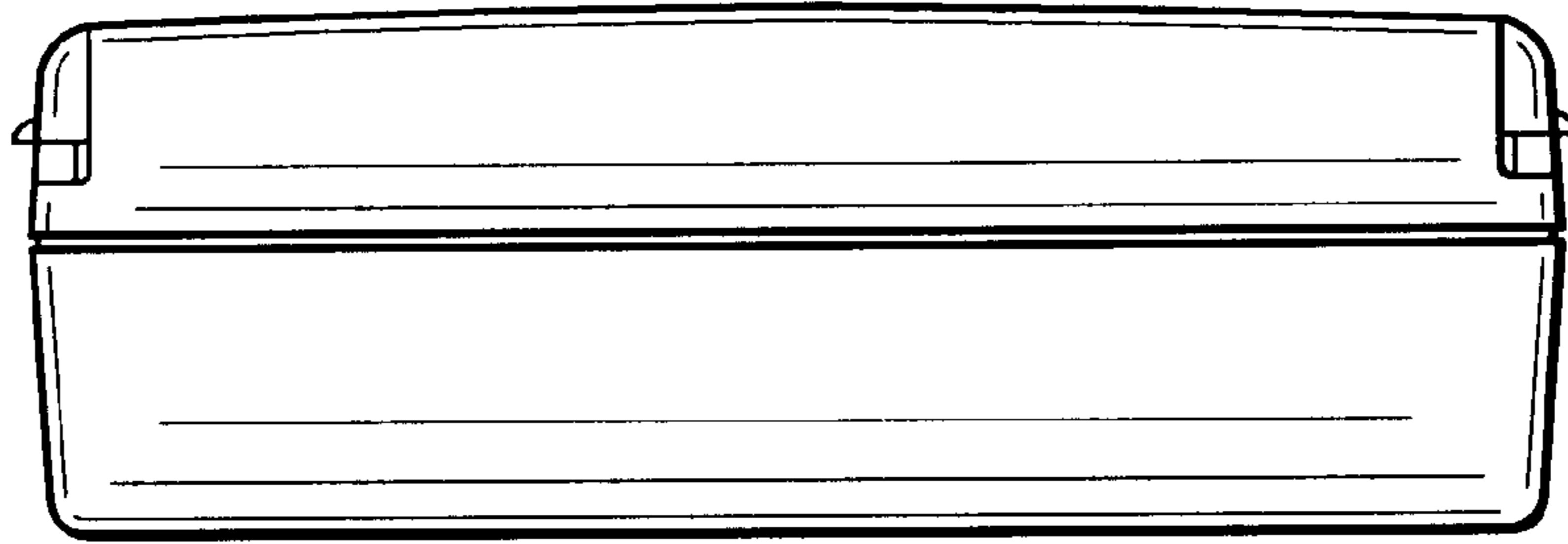


Fig.3



Fig.4

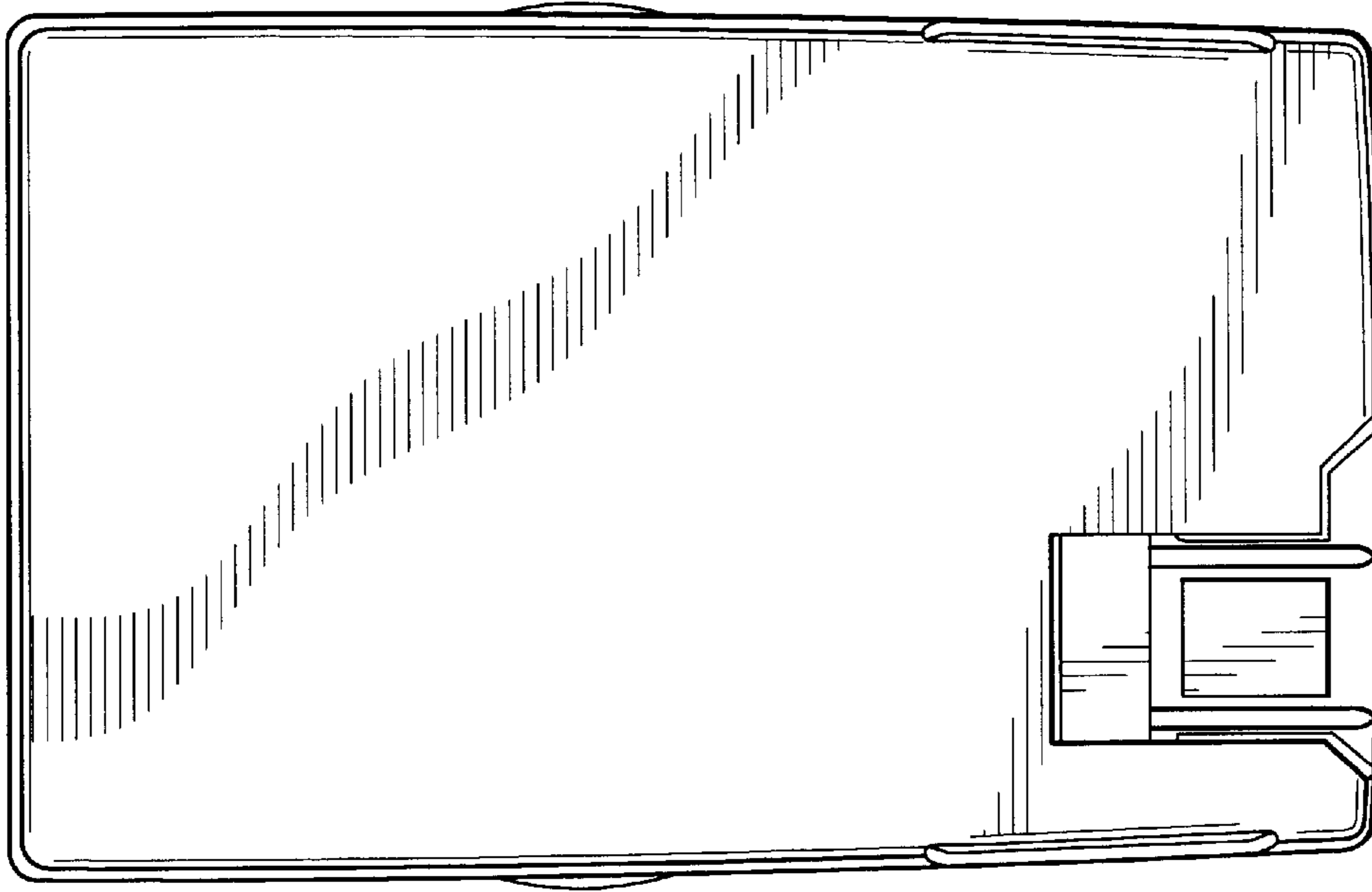


Fig. 5

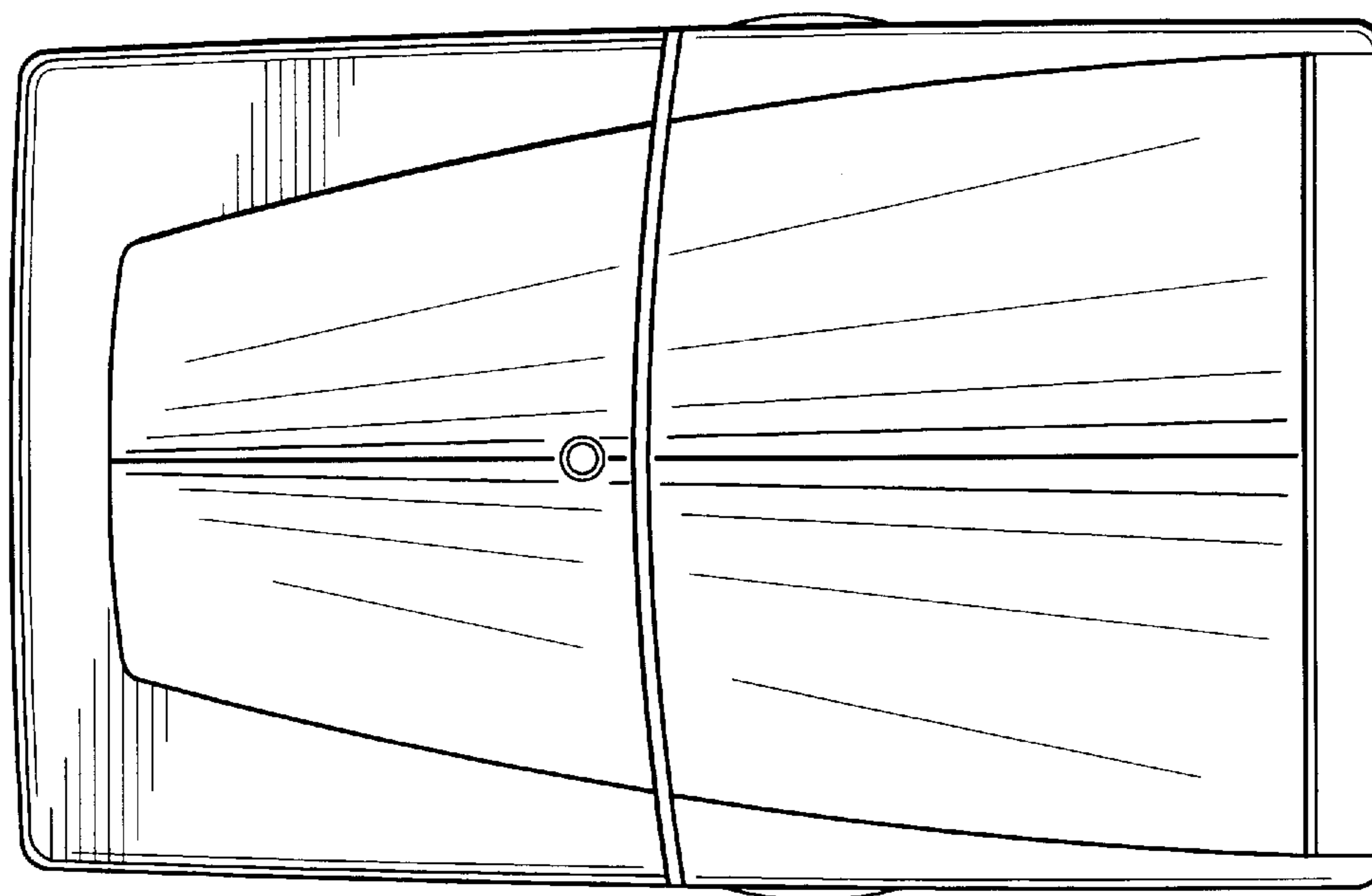


Fig. 6

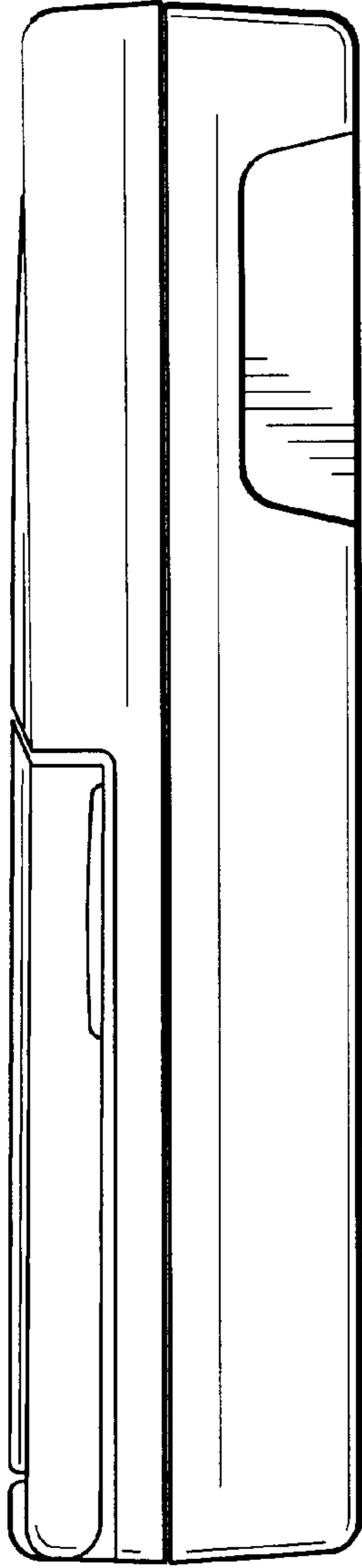


Fig. 7

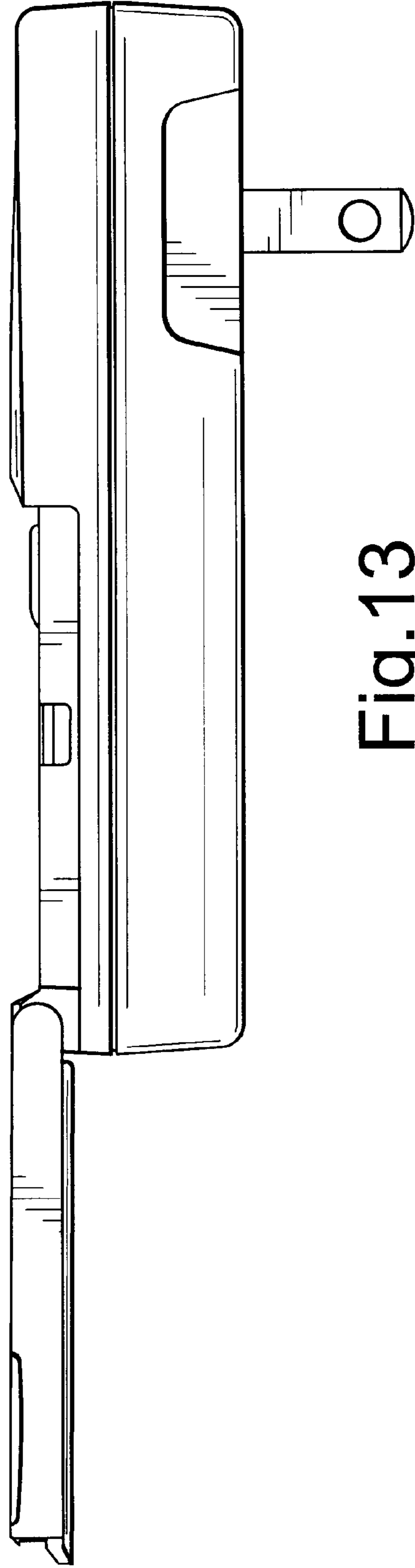


Fig. 13

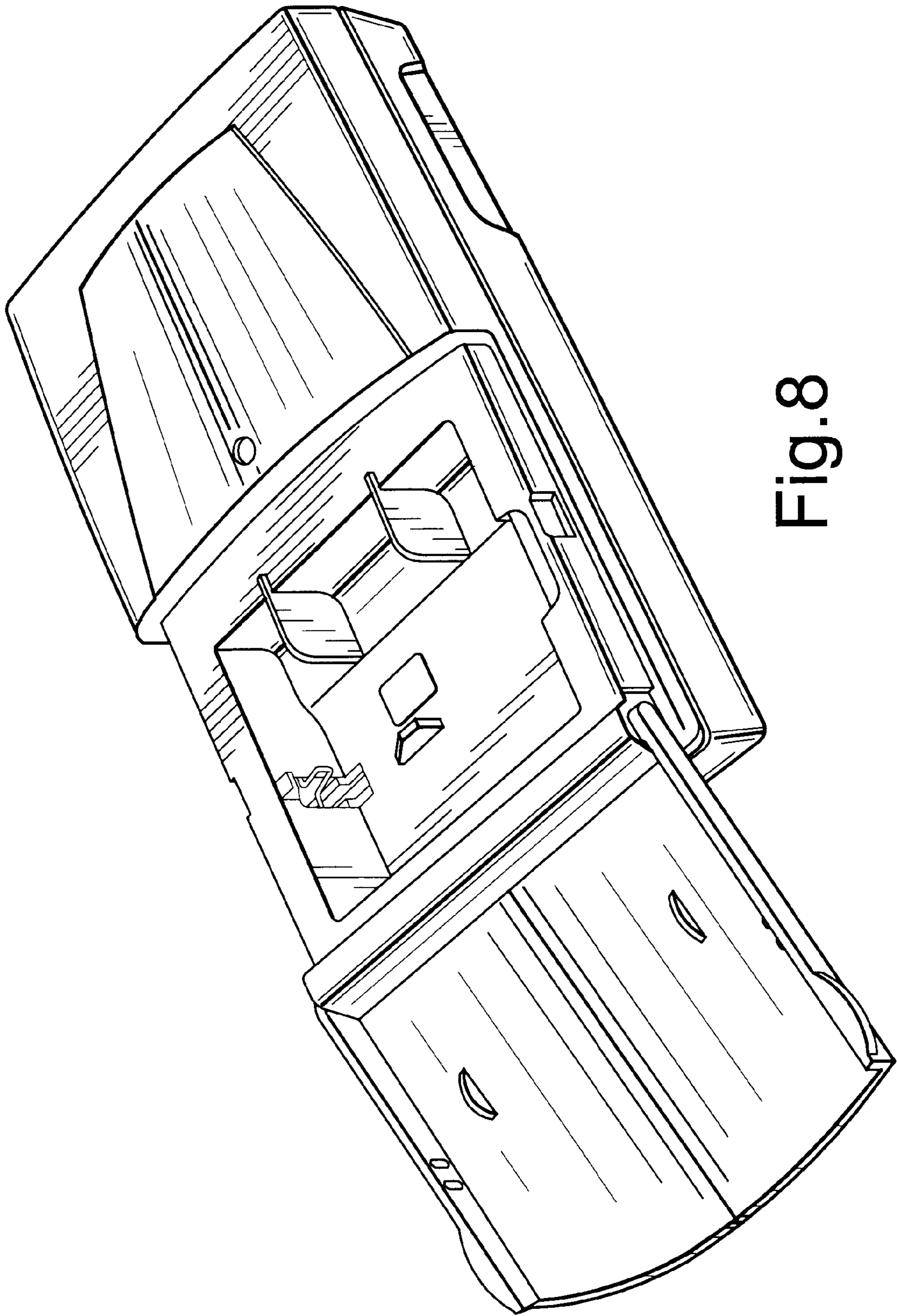


Fig. 8

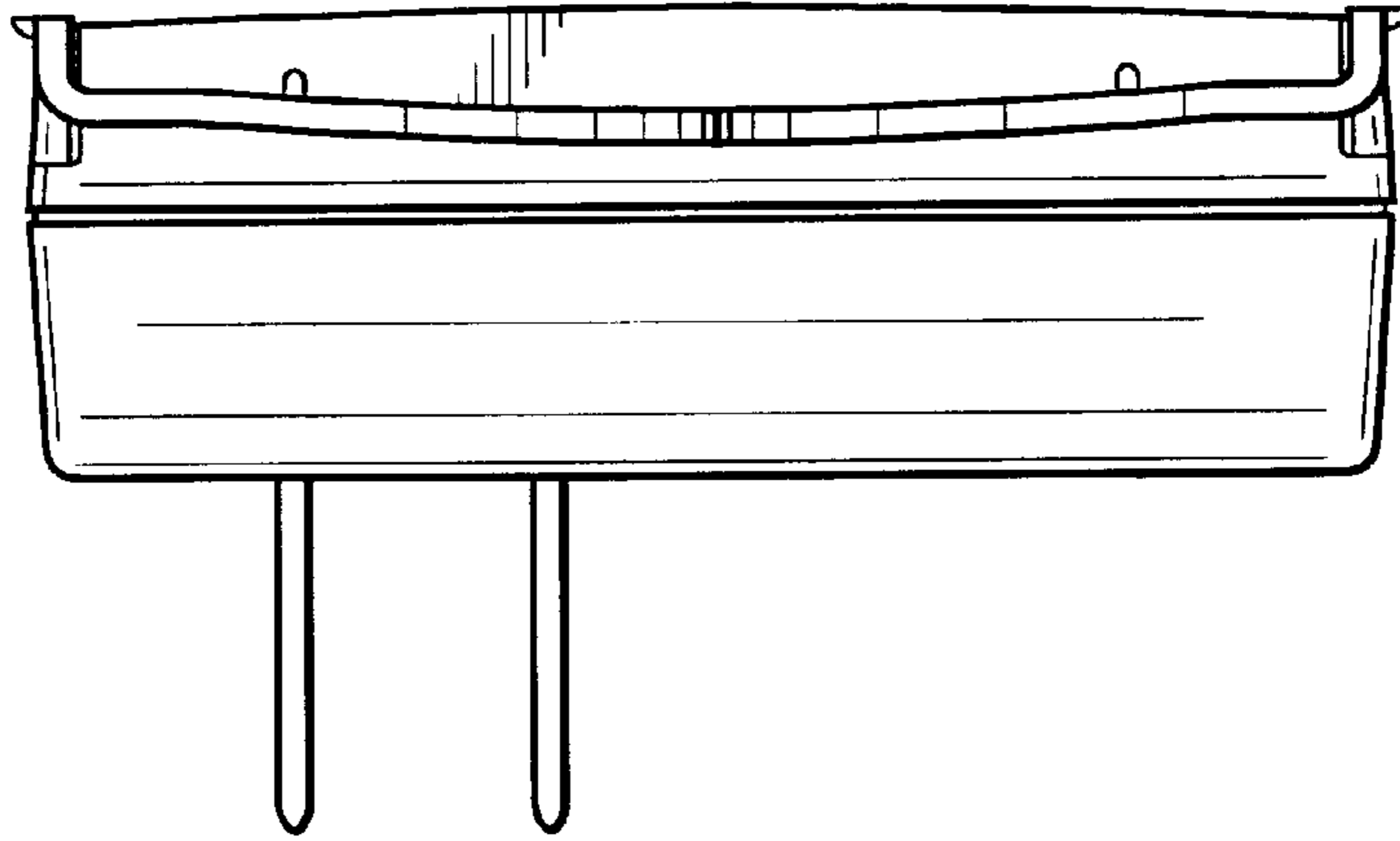


Fig.9

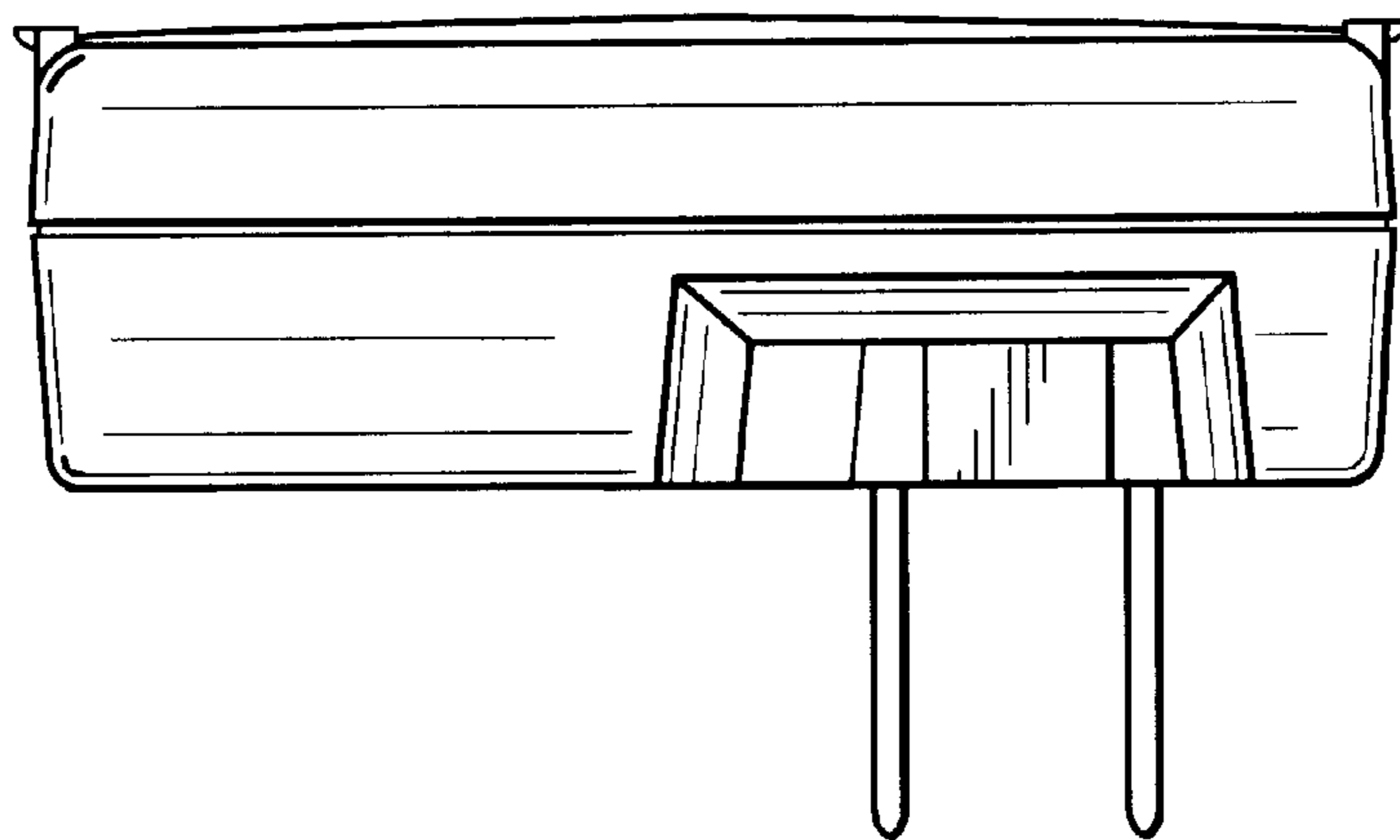


Fig.10

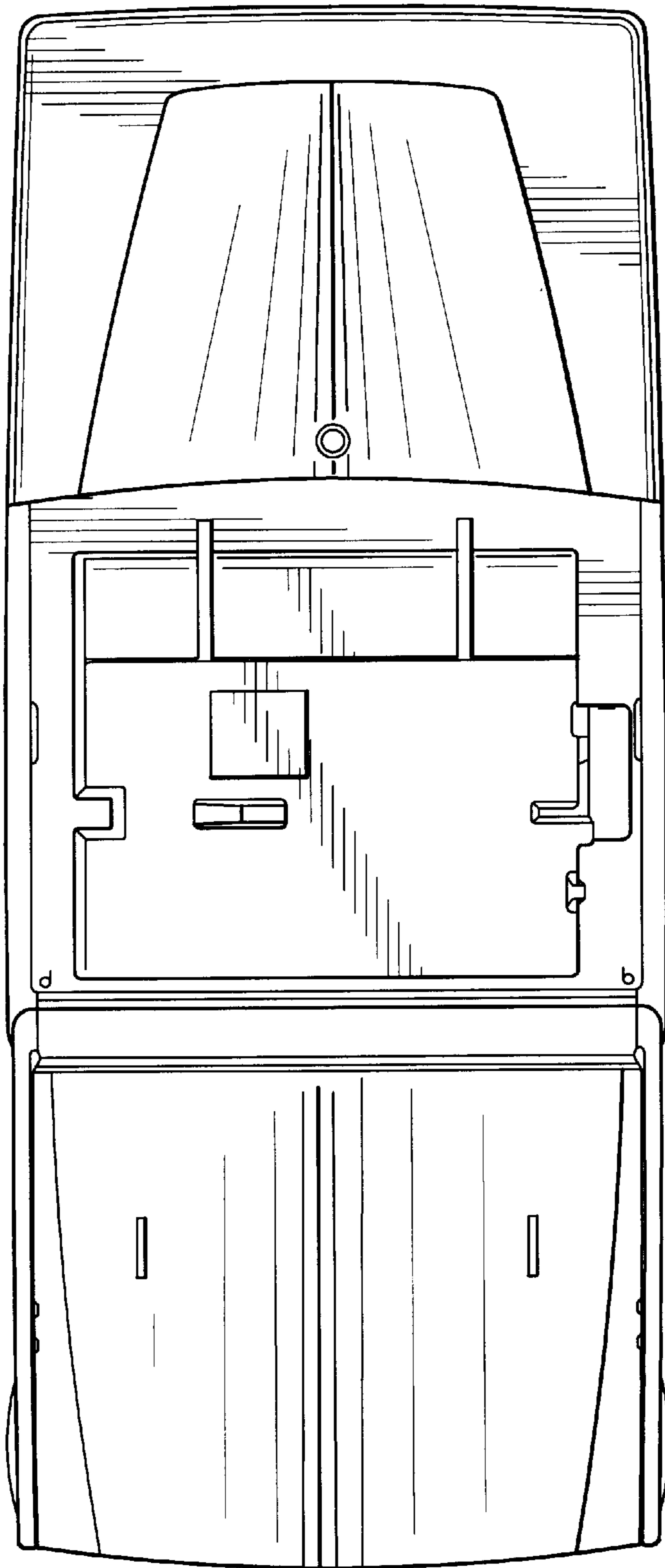


Fig.11

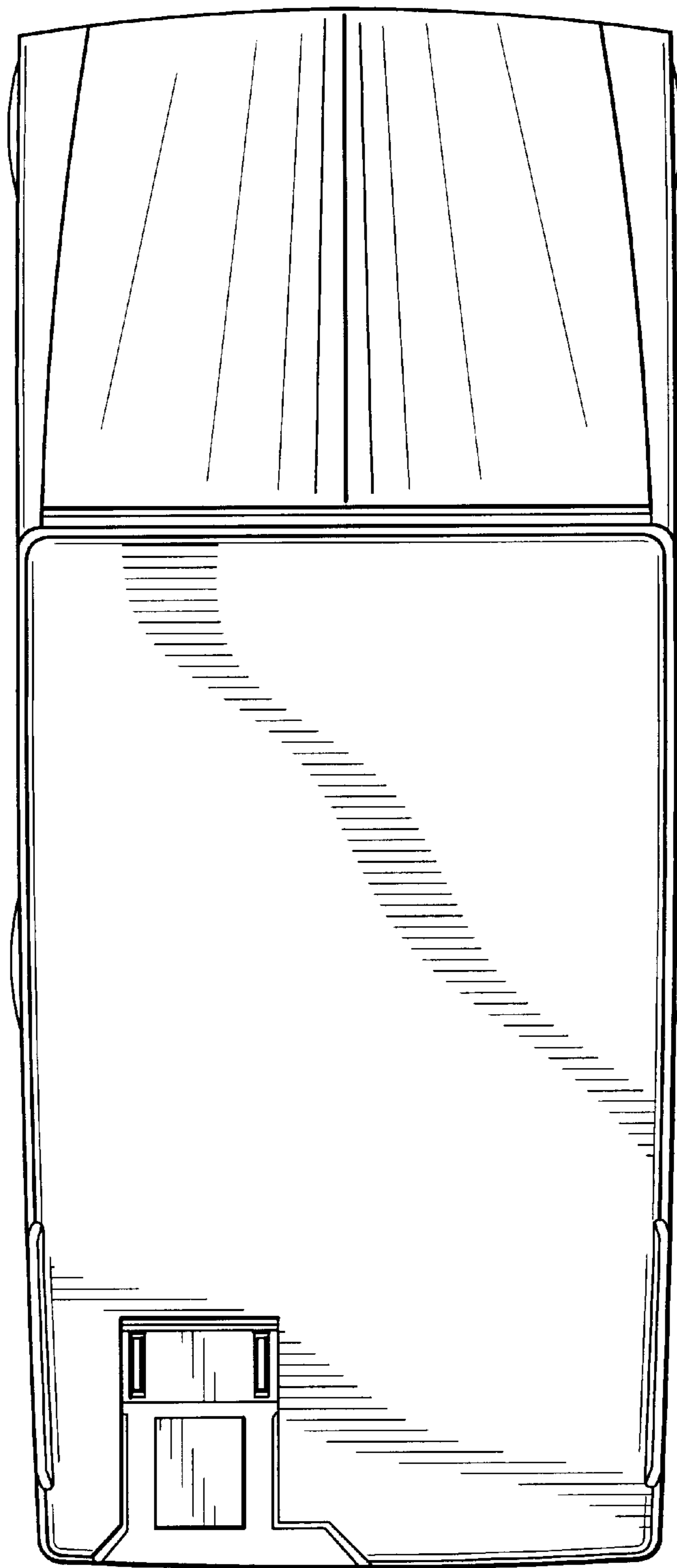


Fig.12