



US00D454828S

(12) **United States Design Patent**
Alder

(10) **Patent No.:** **US D454,828 S**

(45) **Date of Patent:** **** Mar. 26, 2002**

(54) **MOUNTING BRACKET FOR MOTOR VEHICLE**

(76) **Inventor:** **Robert Alder**, Unit 9, 6-8 Cornwall Crescent, London W11 1PP (GB)

(**) **Term:** **14 Years**

(21) **Appl. No.:** **29/131,298**

(22) **Filed:** **Oct. 19, 2000**

(30) **Foreign Application Priority Data**

Apr. 19, 2000 (GB) 2092292

(51) **LOC (7) Cl.** **12-06**

(52) **U.S. Cl.** **D12/223**

(58) **Field of Search** D12/223, 162; 280/96.1; 248/200, 300, 140; D8/354, 349

(56) **References Cited**

U.S. PATENT DOCUMENTS

D372,829 S * 8/1996 McCoy et al. D12/162

D379,343 S * 5/1997 Shaw et al. D12/162

D392,933 S * 3/1998 Matlila D12/223

D401,271 S * 11/1998 Limpon D12/223

D437,282 S * 2/2001 Joll D12/223

* cited by examiner

Primary Examiner—Melody N. Brown

(74) *Attorney, Agent, or Firm*—Dykema Gossett PLLC

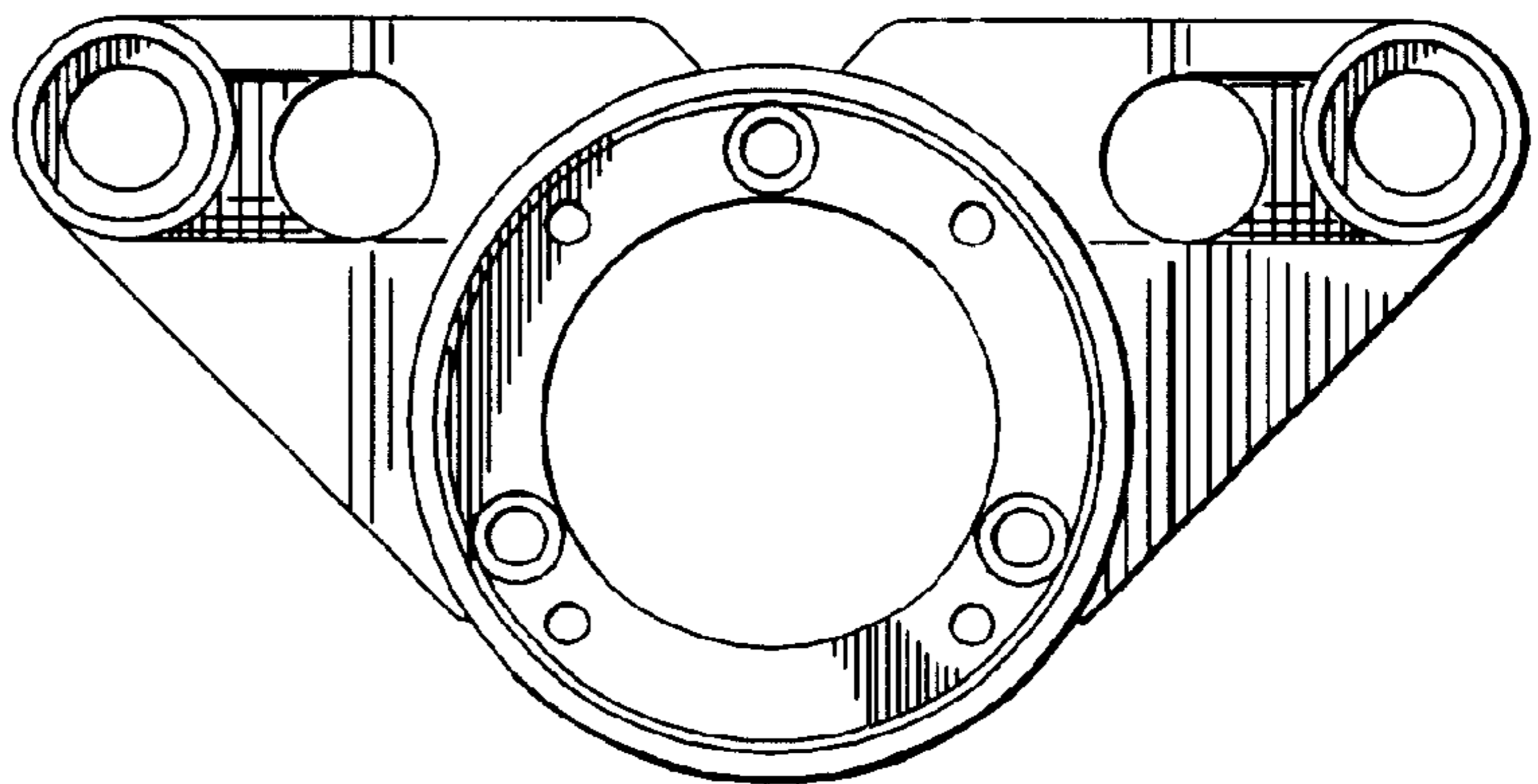
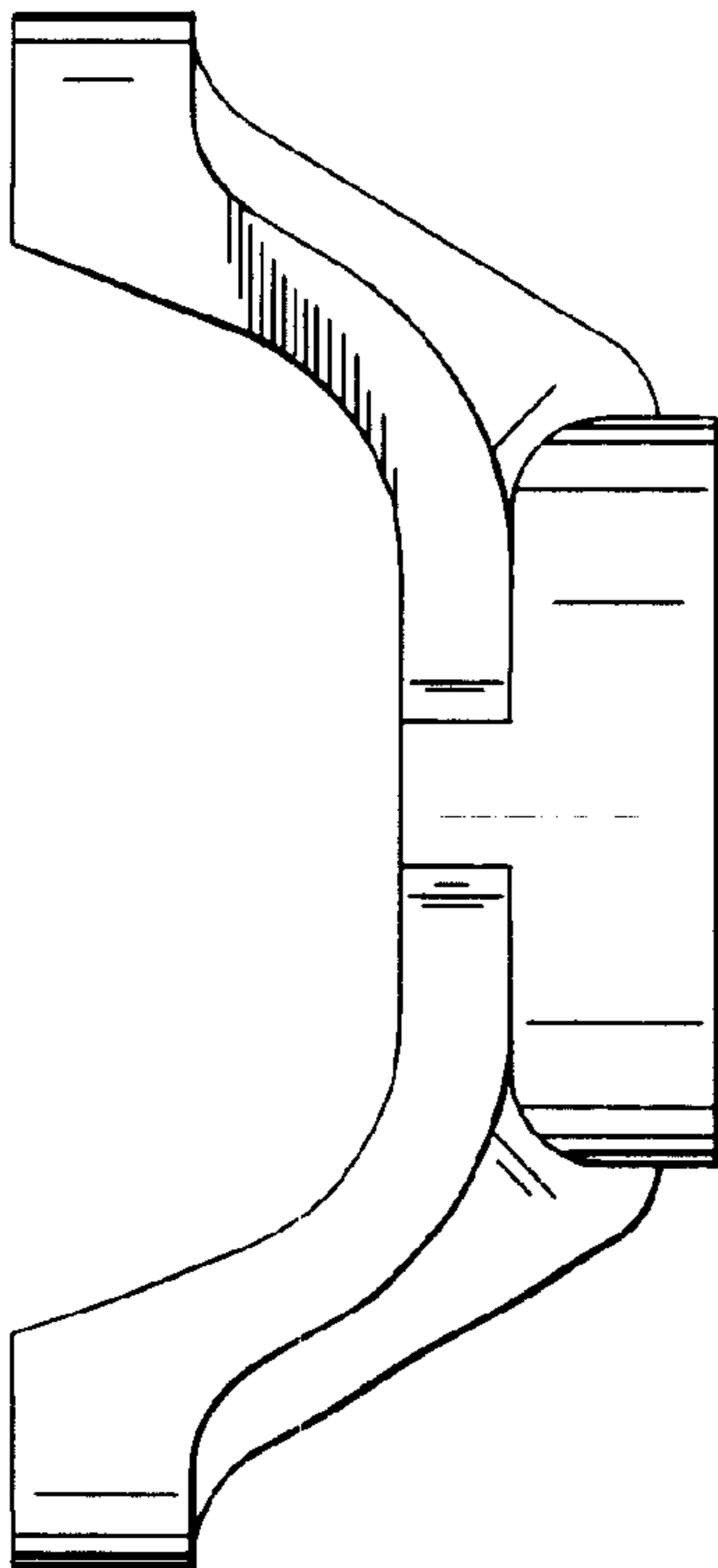
(57) **CLAIM**

The ornamental design for a mounting bracket for motor vehicle, as shown and described.

DESCRIPTION

FIG. 1 is a top plan view of a mounting bracket in accordance with my new and ornamental design, FIG. 2 is a bottom plan view thereof, FIG. 3 is a front view thereof, FIG. 4 is a rear view thereof; and, FIG. 5 is a side view thereof, the opposite side view being a mirror image.

1 Claim, 1 Drawing Sheet



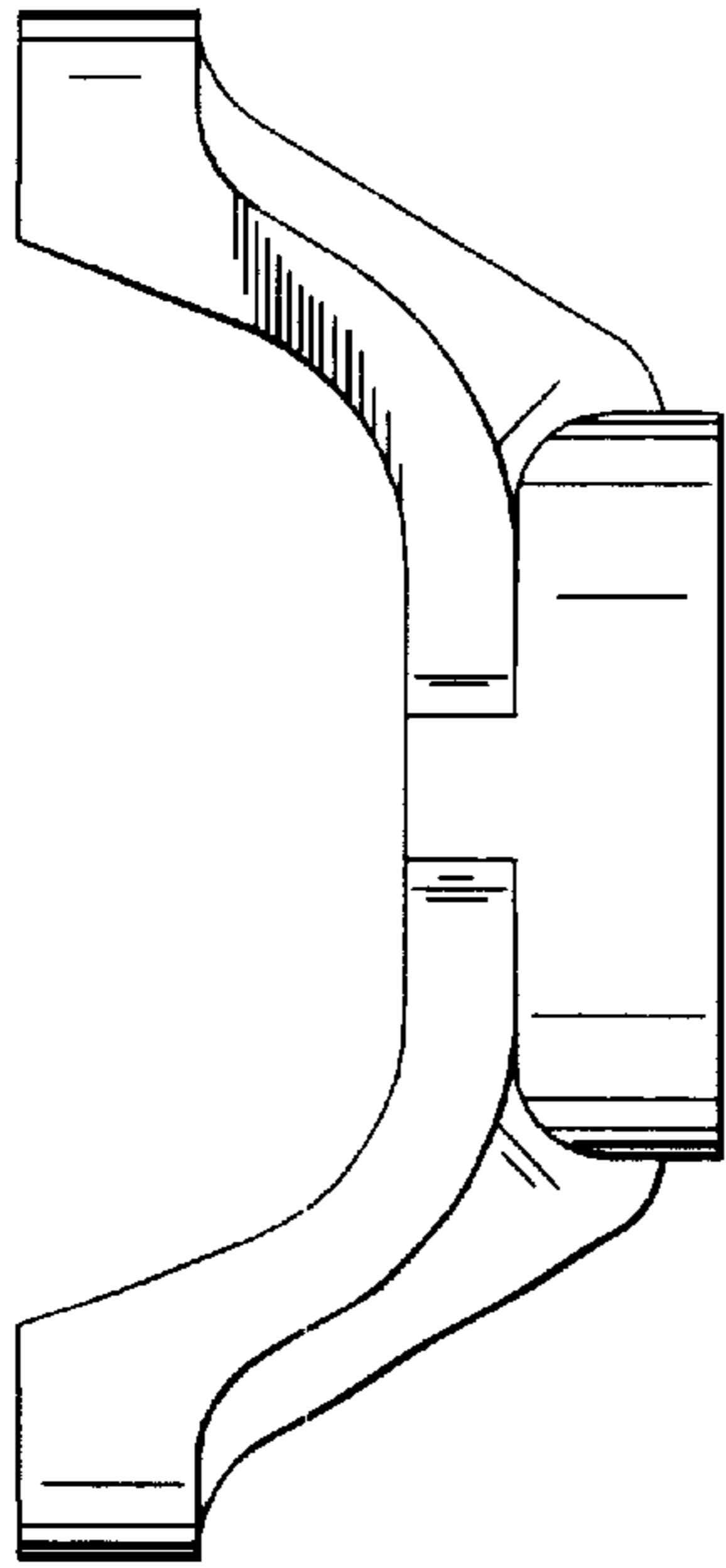


Fig. 1

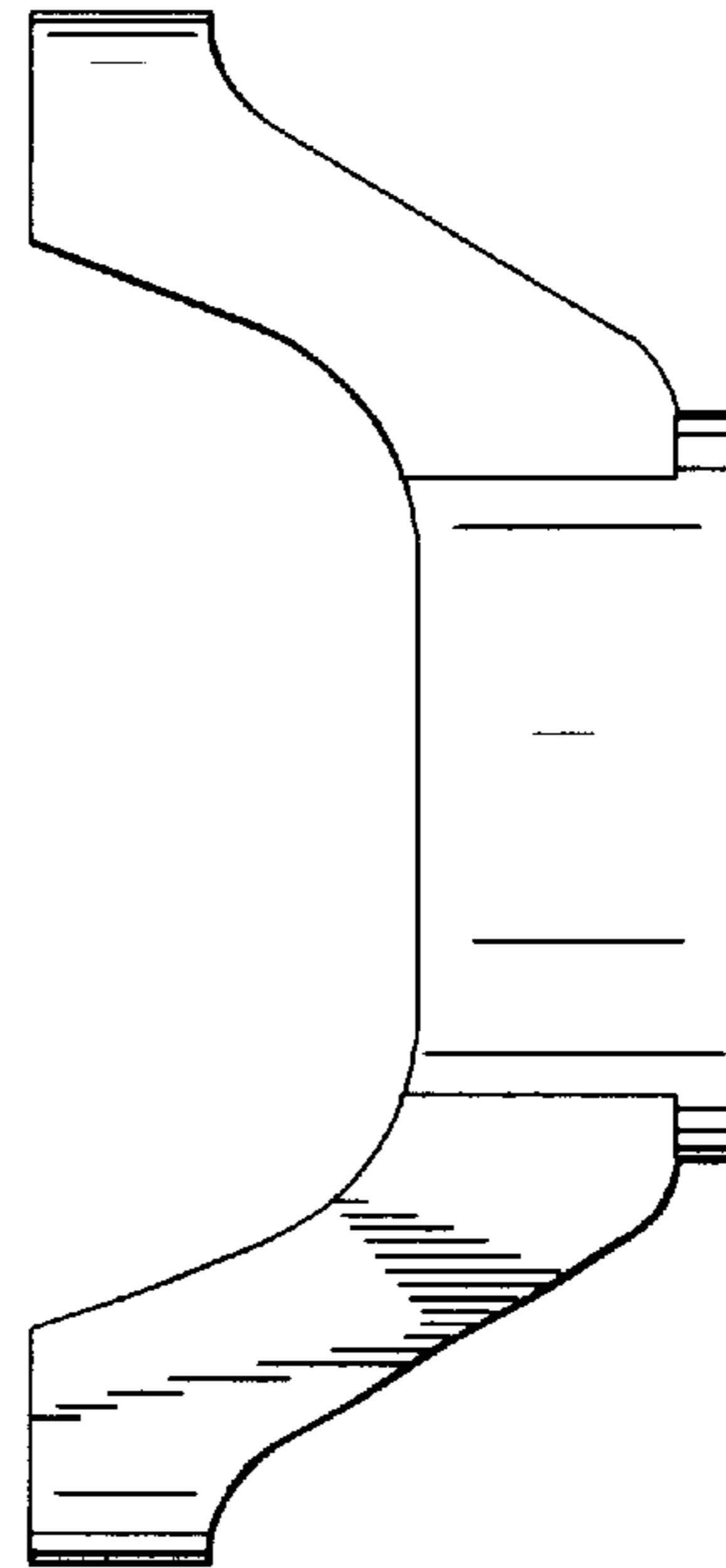


Fig. 2

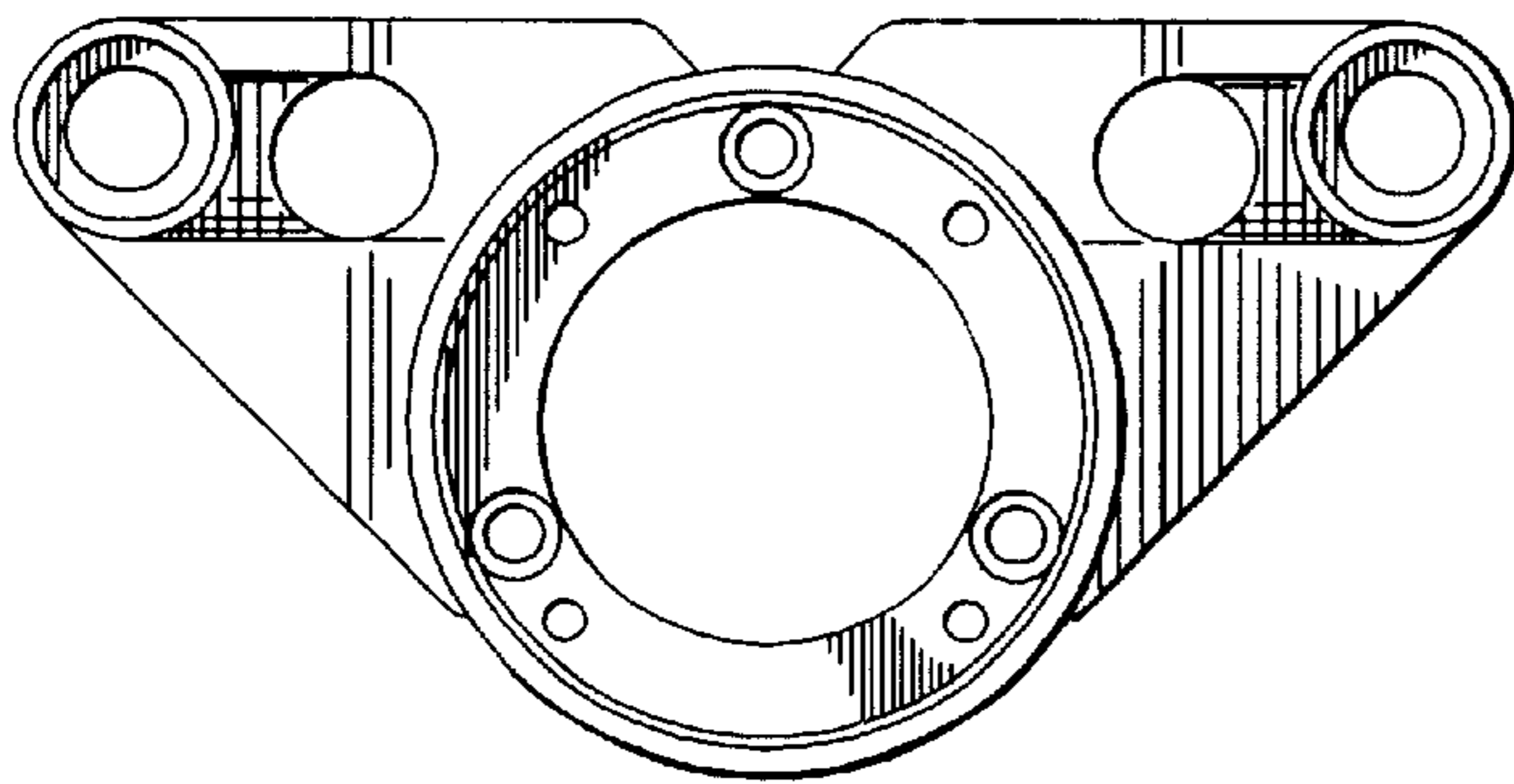


Fig. 3

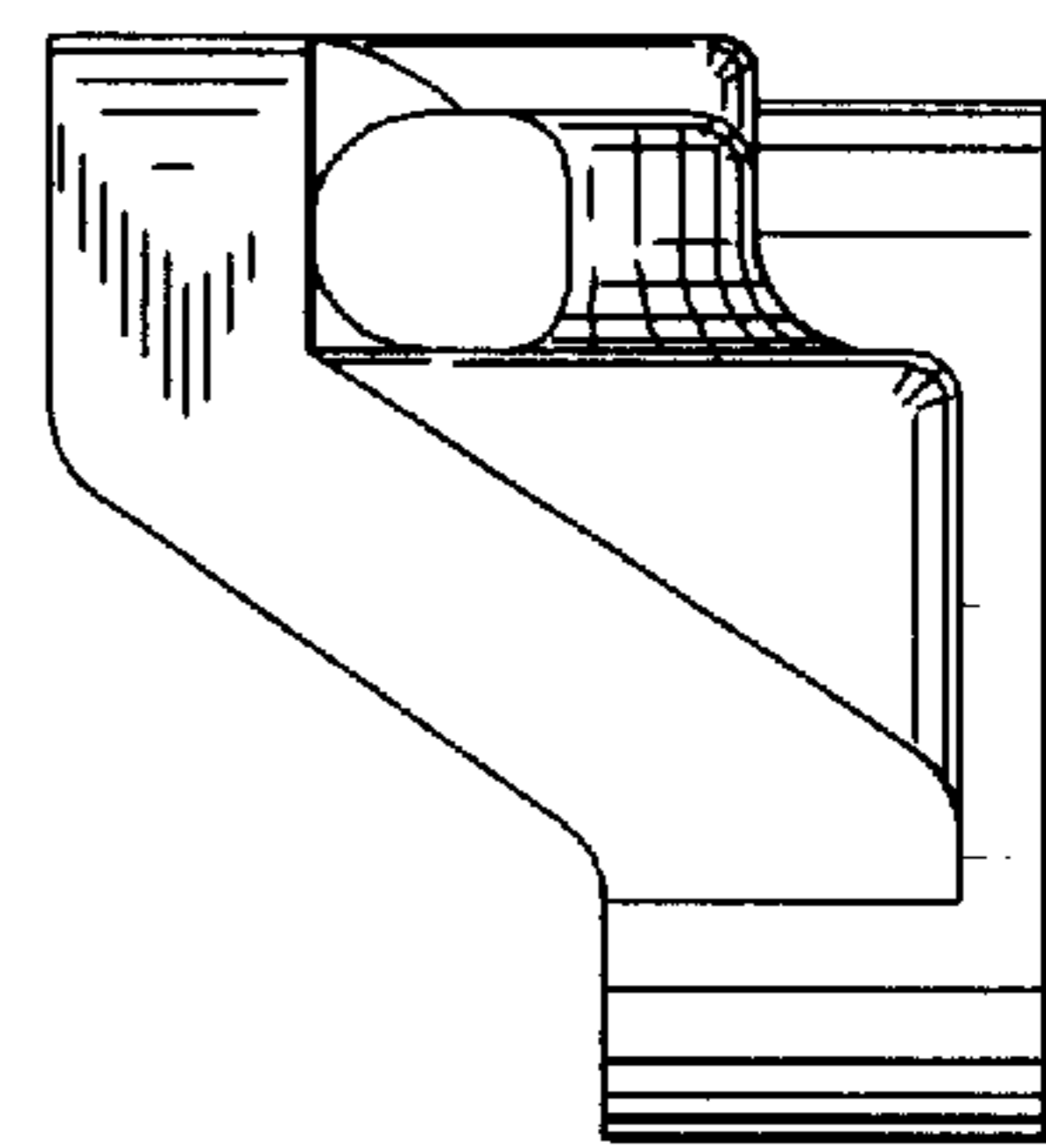


Fig. 5

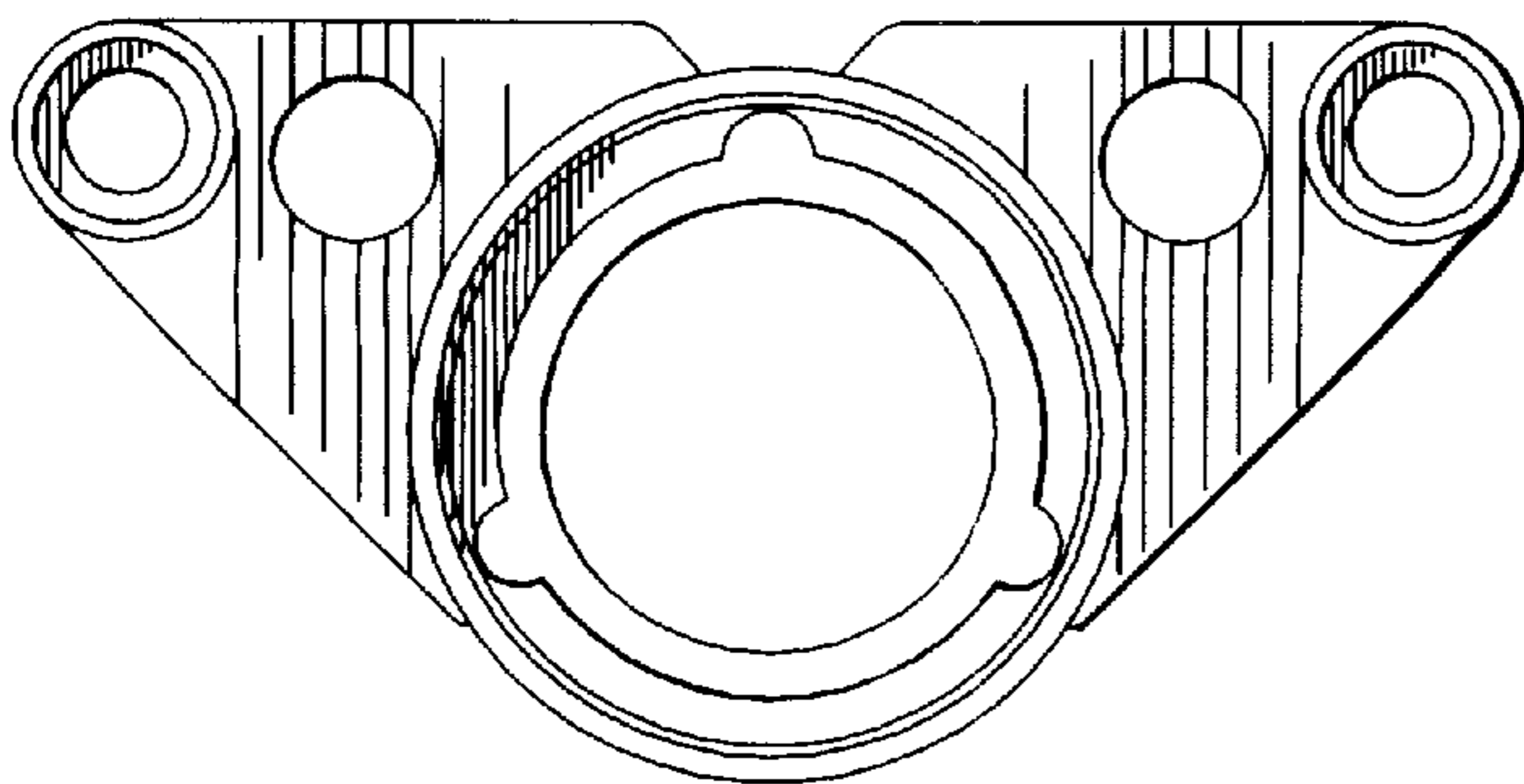


Fig. 4