



US00D454826S

(12) **United States Design Patent**
Kaucher

(10) **Patent No.:** **US D454,826 S**
(45) **Date of Patent:** **** Mar. 26, 2002**

(54) **WHEEL**

(75) Inventor: **Keith Martin Kaucher**, Santa Monica,
CA (US)

(73) Assignee: **Ultra Wheel Co.**, Buena Park, CA (US)

(**) Term: **14 Years**

(21) Appl. No.: **29/136,429**

(22) Filed: **Jan. 30, 2001**

(51) **LOC (7) Cl.** **12-16**

(52) **U.S. Cl.** **D12/211**

(58) **Field of Search** D12/204-211;
301/37.1, 64.1, 65

(56) **References Cited**

U.S. PATENT DOCUMENTS

D408,001 S	*	4/1999	Kelley	D12/209
D417,427 S	*	12/1999	Brown	D12/211
D421,953 S	*	3/2000	Sims et al.	D12/211
D427,132 S	*	6/2000	Lee	D12/211
D432,071 S	*	10/2000	Brown	D12/211

D437,819 S	*	2/2001	Brown et al.	D12/209
D445,079 S	*	7/2001	Lee	D12/209
D447,107 S	*	8/2001	Kuribayashi	D12/211
D447,993 S	*	9/2001	Neeper	D12/211

* cited by examiner

Primary Examiner—Stacia Cadmus

(74) *Attorney, Agent, or Firm*—Christie, Parker & Hale,
LLP

(57) **CLAIM**

The ornamental design for a wheel, as shown and described.

DESCRIPTION

FIG. 1 is a perspective view of a Wheel showing my new design;

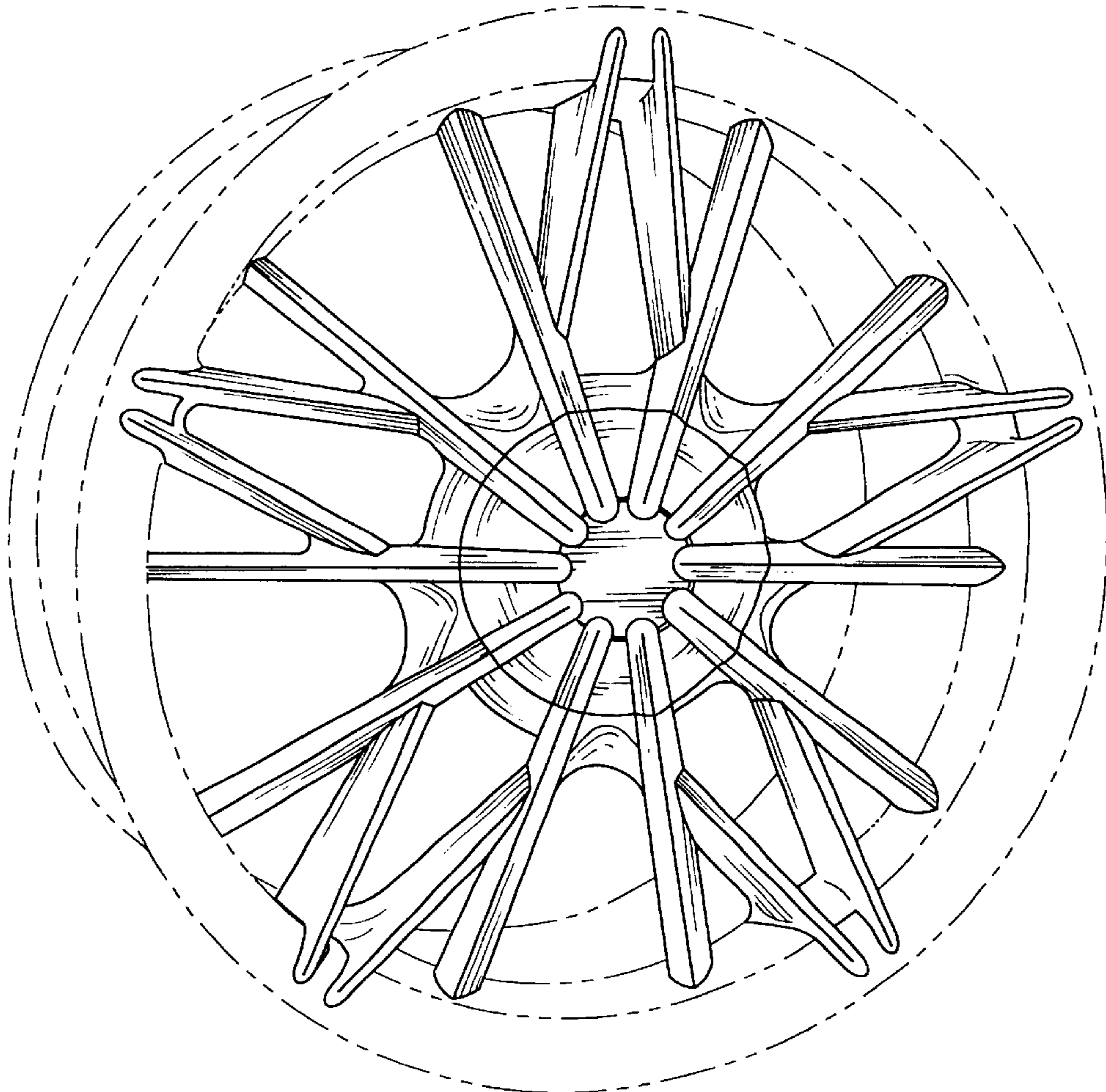
FIG. 2 is a front elevational view thereof; and,

FIG. 3 is a cross-sectional view thereof taken along the line 3—3 in FIG. 2.

The broken line disclosure in FIGS. 1-3 is for illustrative purposes only and forms no part of the claimed design.

The rear of the Wheel forms no part of the claimed design.

1 Claim, 2 Drawing Sheets



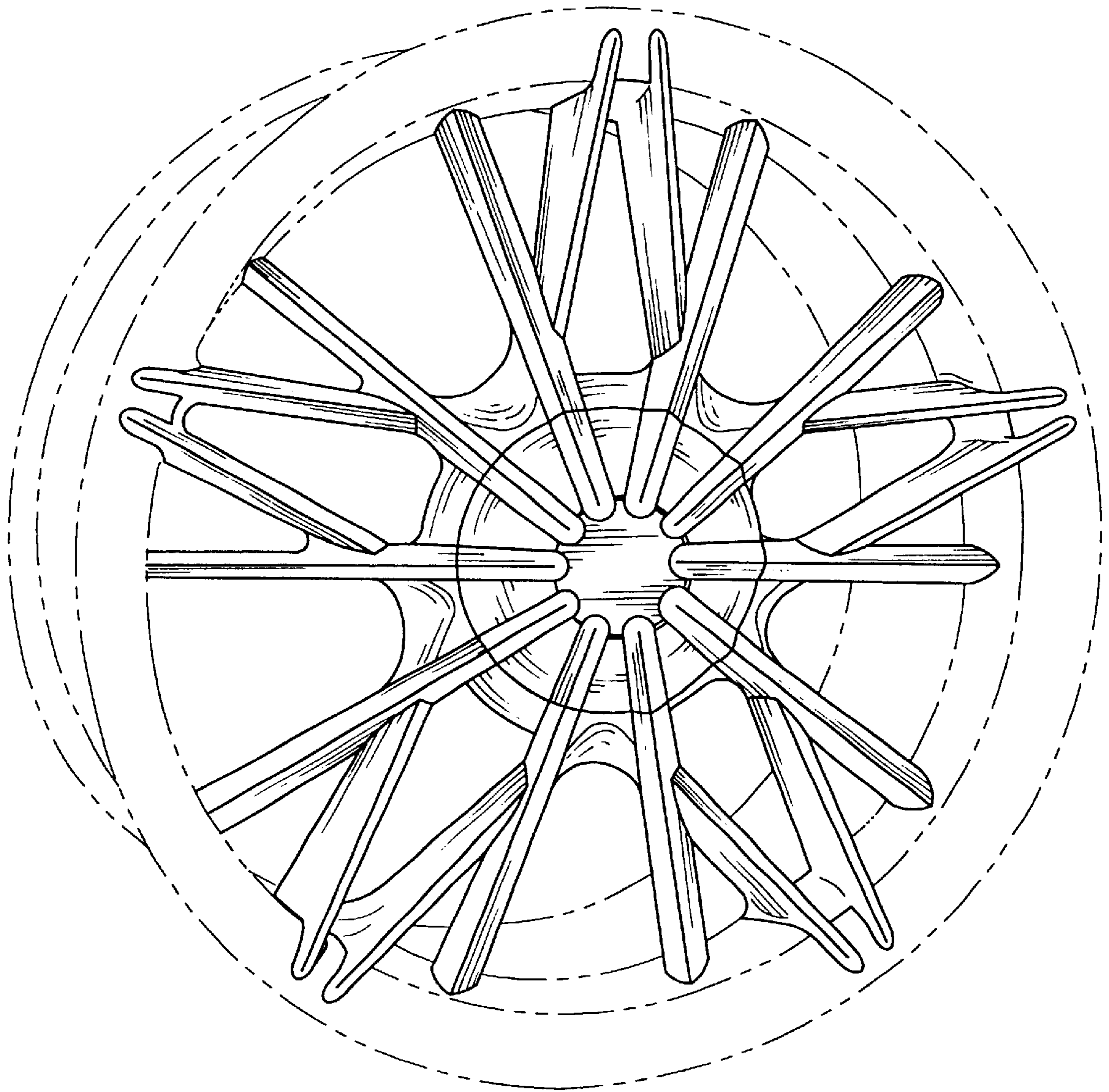


FIG. 1

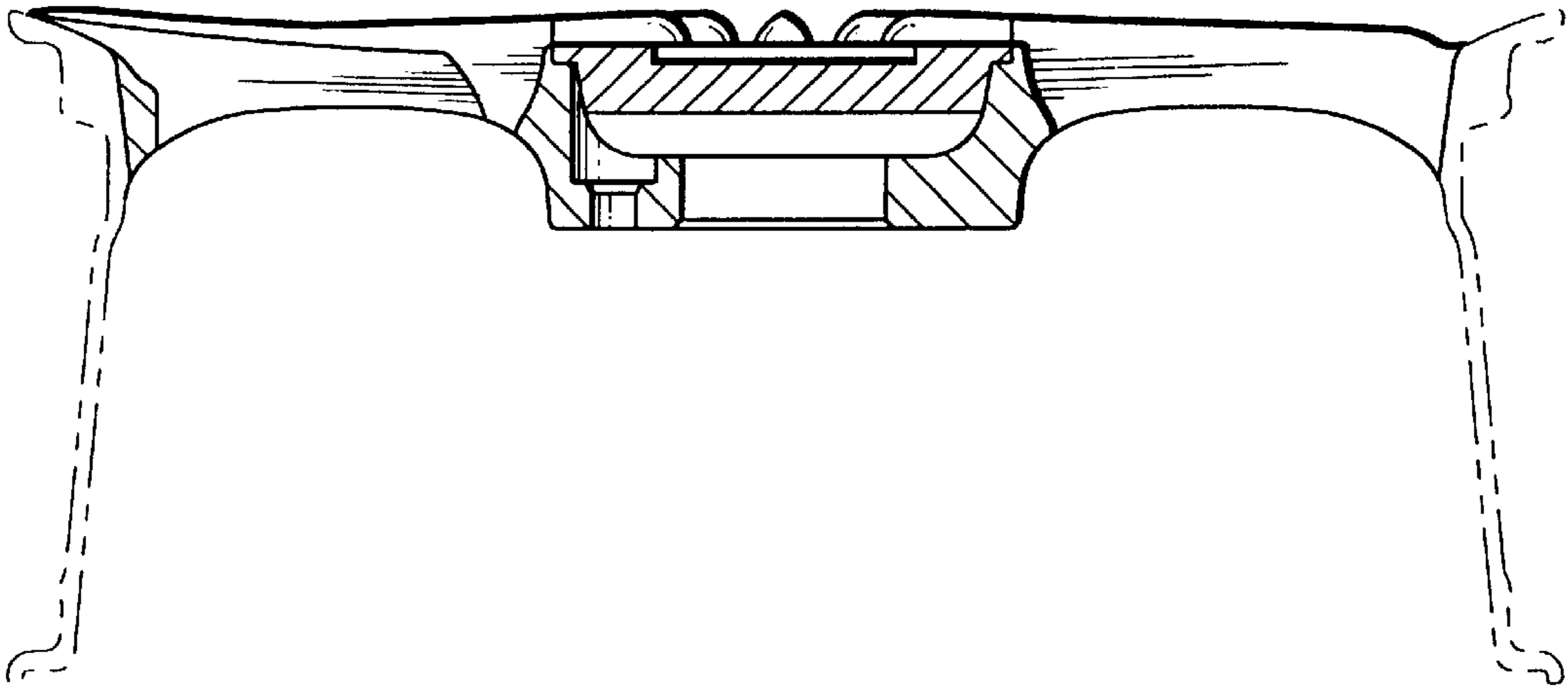


FIG. 3

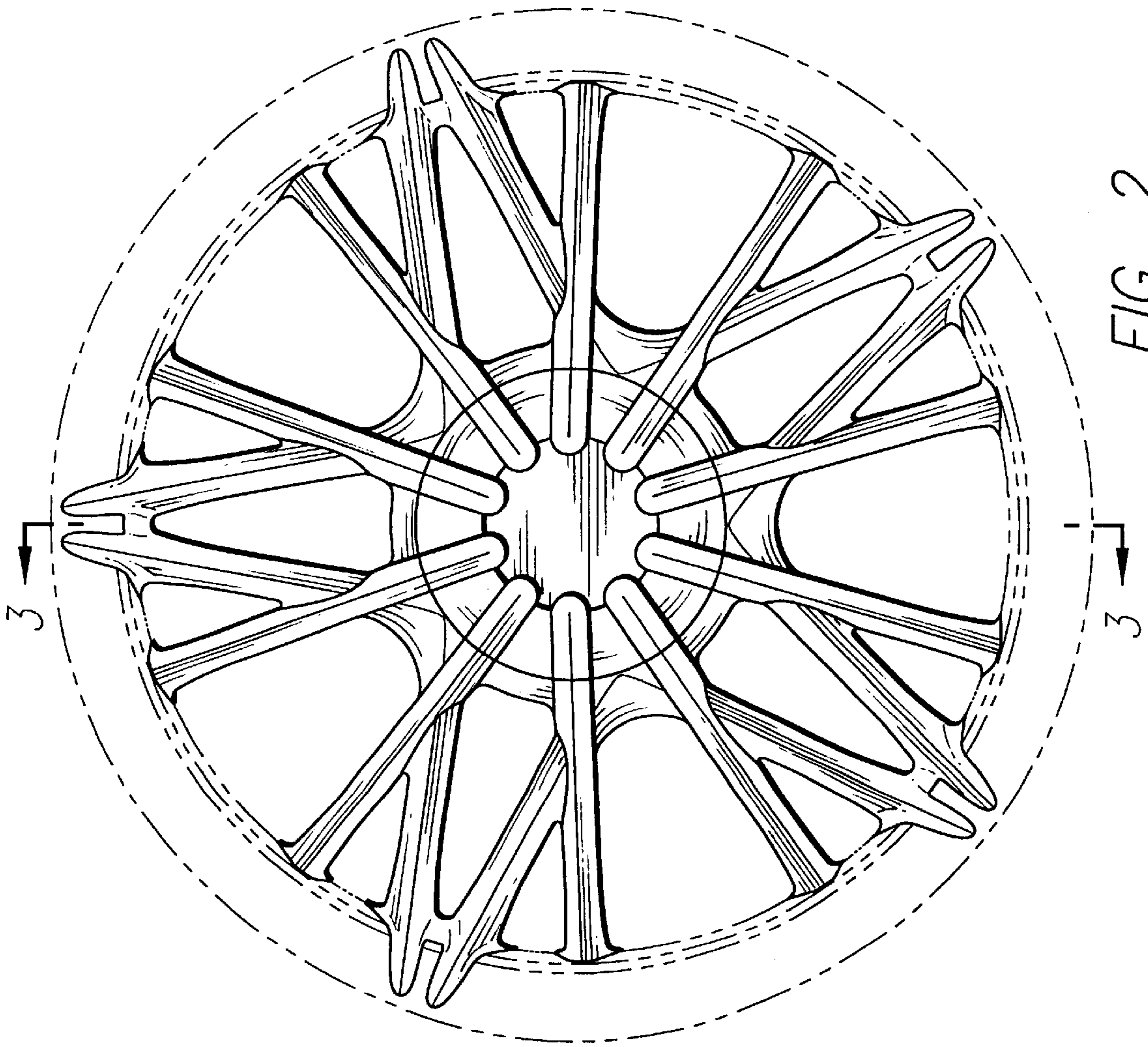


FIG. 2