



US00D454822S

(12) **United States Design Patent**
Leutz

(10) **Patent No.:** **US D454,822 S**

(45) **Date of Patent:** **** Mar. 26, 2002**

(54) **FRONT FACE OF A VEHICLE WHEEL**

(75) **Inventor:** **Volker Leutz, Grafenau (DE)**

(73) **Assignee:** **DaimlerChrysler AG, Stuttgart (DE)**

(**) **Term:** **14 Years**

(21) **Appl. No.:** **29/146,607**

(22) **Filed:** **Aug. 14, 2001**

(51) **LOC (7) Cl.** **12-16**

(52) **U.S. Cl.** **D12/209**

(58) **Field of Search** **D12/204-211;**
301/37.1, 64.1, 65

(56) **References Cited**

U.S. PATENT DOCUMENTS

D219,966 S	*	2/1971	Halibrand	D12/209
D292,693 S	*	11/1987	Cattaneo	D12/211
D299,918 S	*	2/1989	Envall et al.	D12/209
D352,021 S	*	11/1994	Powers	D12/209
D368,883 S	*	4/1996	Rhor	D12/209
D384,931 S	*	10/1997	Neeper	D12/209
D385,843 S	*	11/1997	Cullen	D12/209
D387,319 S	*	12/1997	Timm et al.	D12/209
D397,663 S	*	9/1998	Chrysanto	D12/209

D419,515 S	*	1/2000	Brown	D12/209
D442,136 S	*	5/2001	Provost	D12/209
D445,389 S	*	7/2001	Stach	D12/209
D447,727 S	*	9/2001	Laengerer	D12/209

* cited by examiner

Primary Examiner—Stacia Cadmus

(74) *Attorney, Agent, or Firm*—Crowell & Moring LLP

(57) **CLAIM**

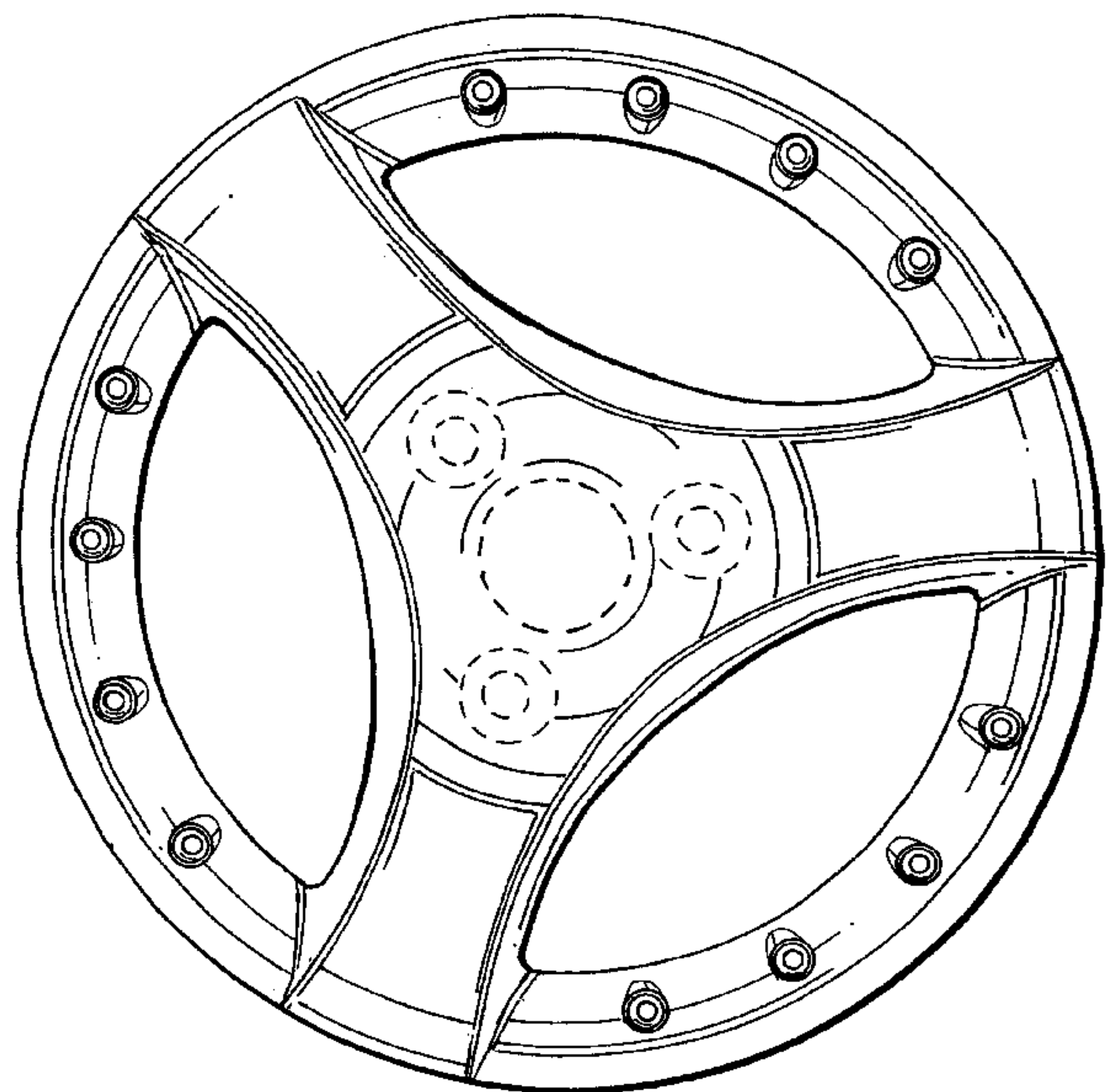
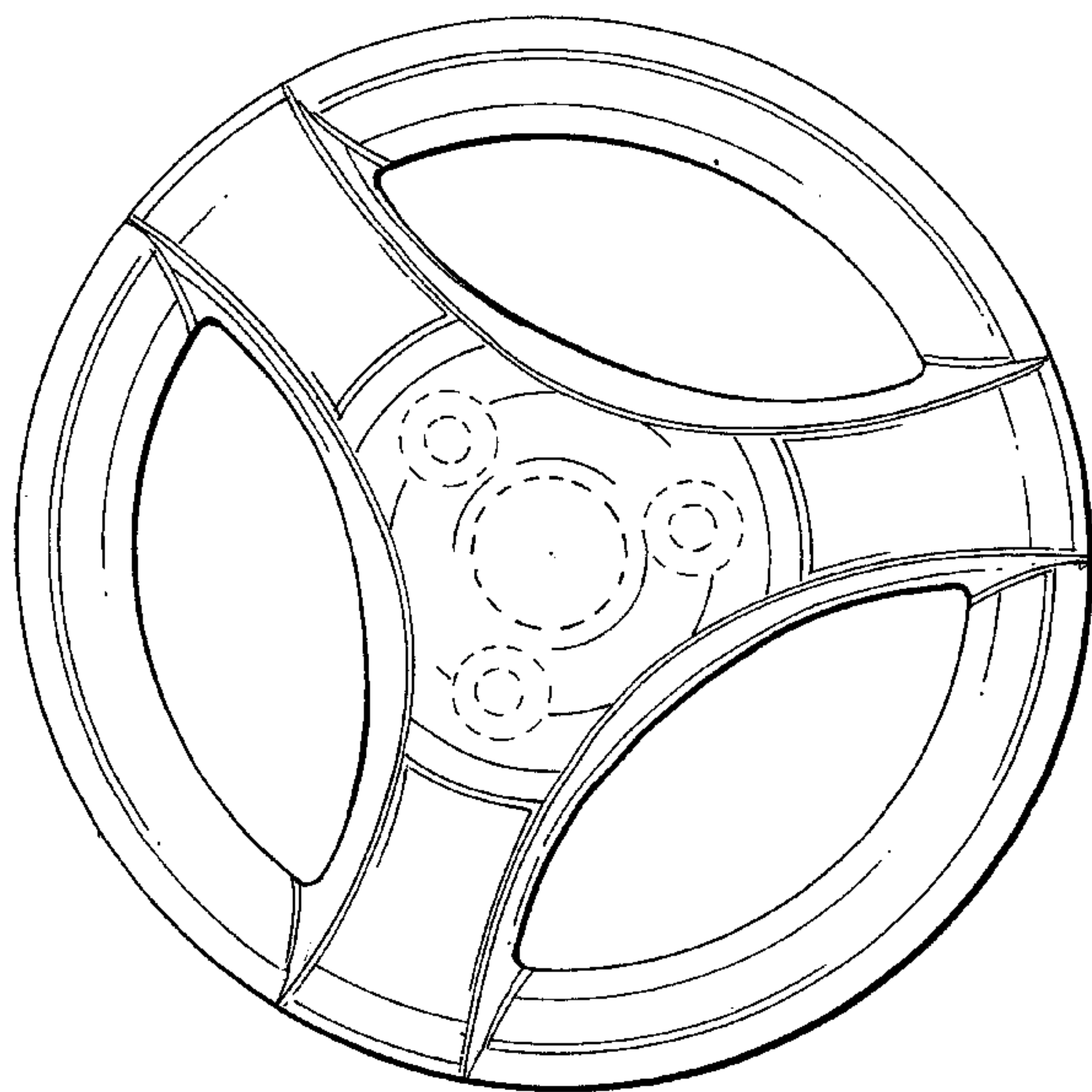
The ornamental design for a front face of a vehicle wheel, as shown and described.

DESCRIPTION

FIG. 1 is a front view of a first embodiment of a front face of a vehicle wheel according to my novel design; FIG. 2 is a perspective view of the first embodiment of the front face of a vehicle wheel according to my novel design; FIG. 3 is a front view of a second embodiment of the front face of a vehicle wheel according to my novel design; and, FIG. 4 is a perspective view of the second embodiment of the front face of a vehicle wheel according to my novel design.

The dash lines included depict environment and are not part of the claimed design.

1 Claim, 2 Drawing Sheets



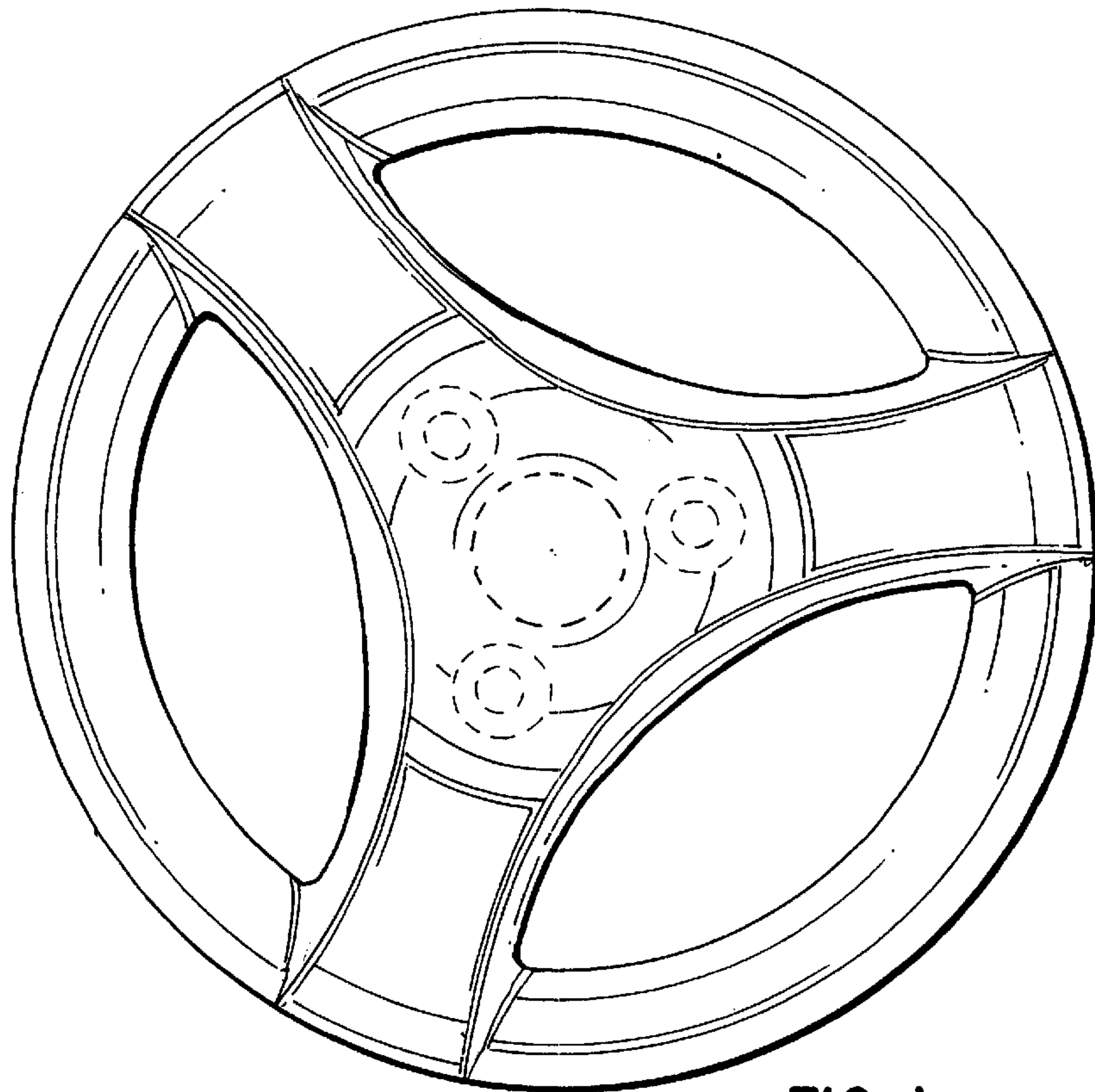


FIG. 1

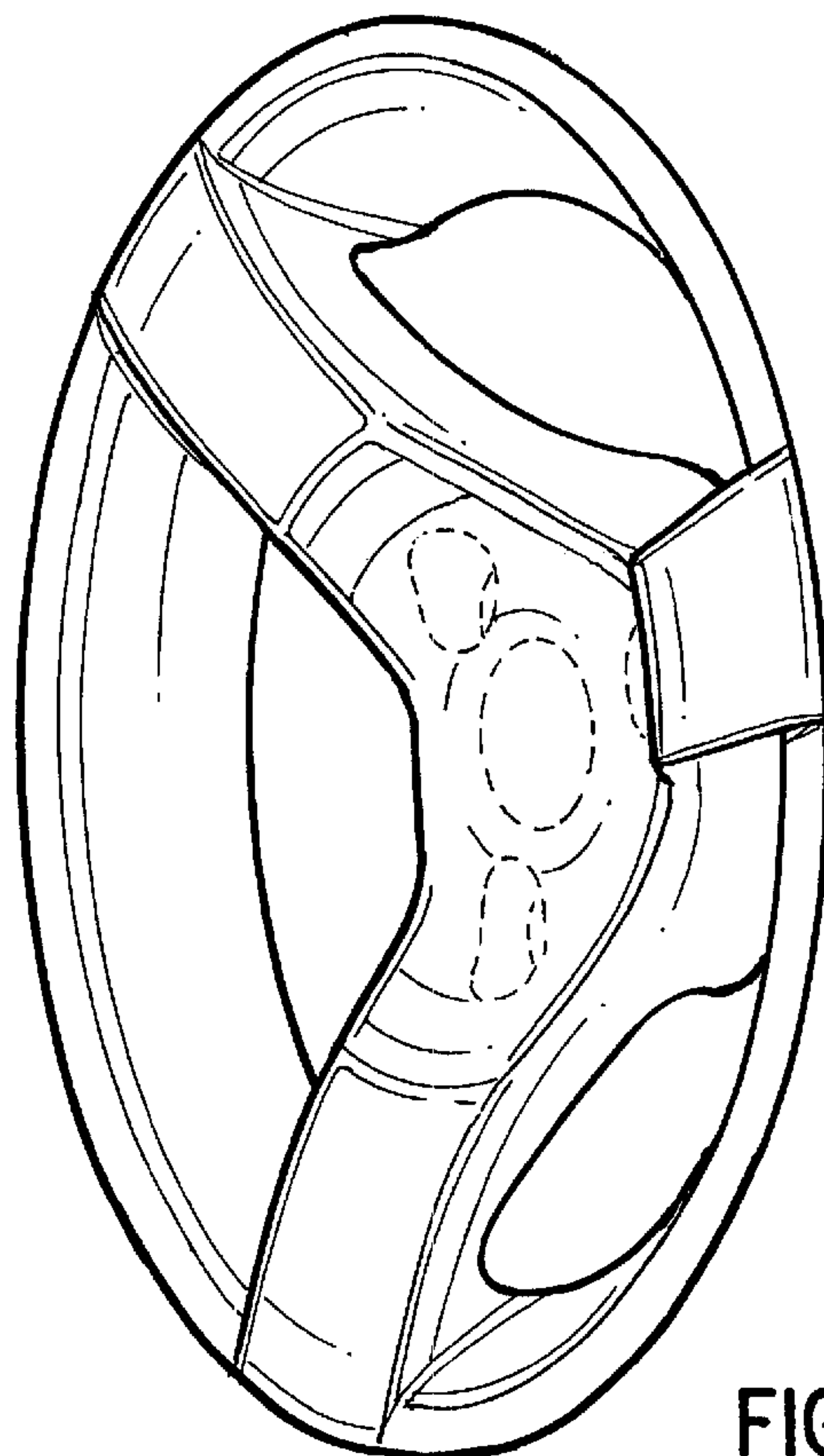


FIG. 2

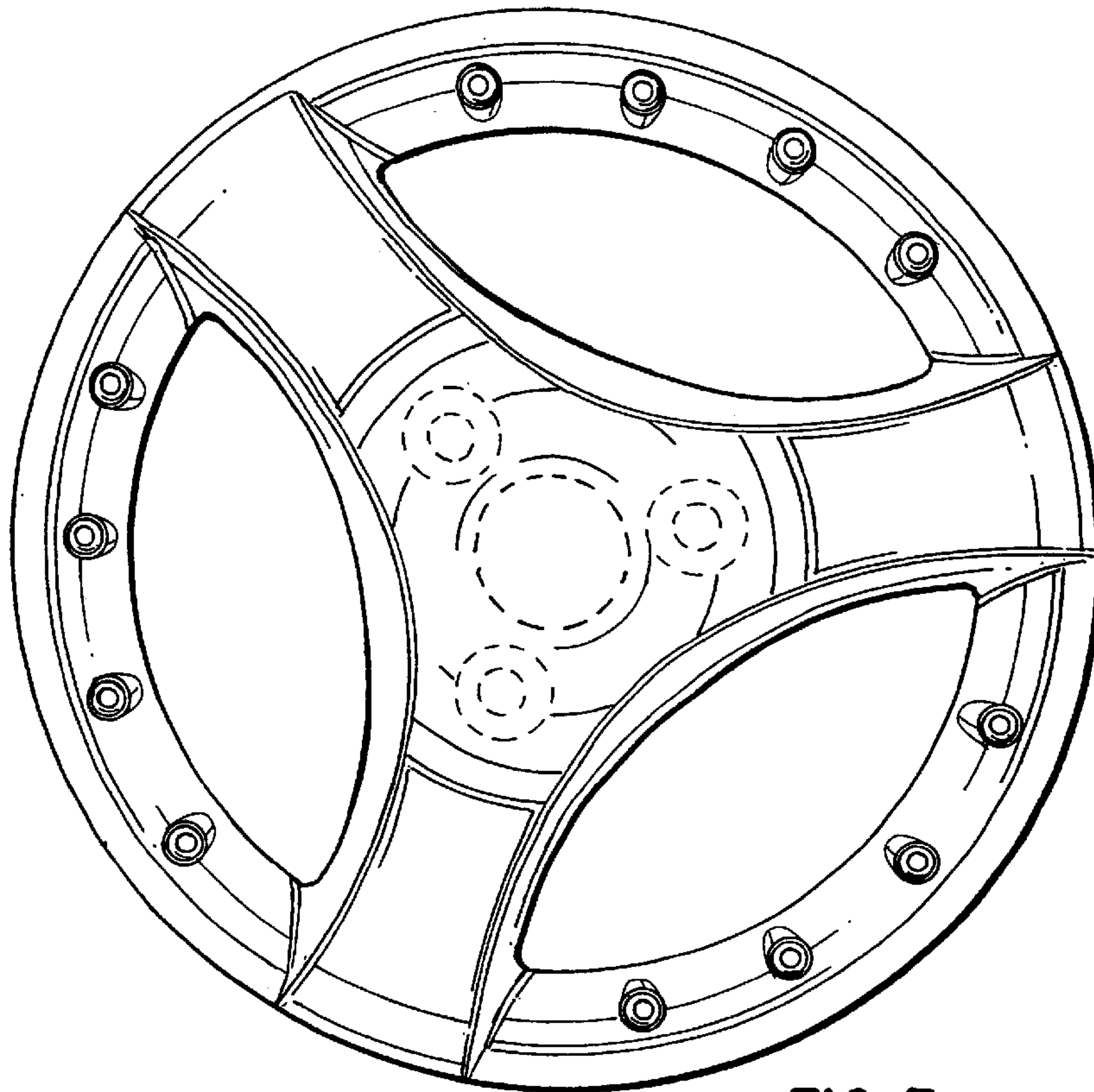


FIG. 3

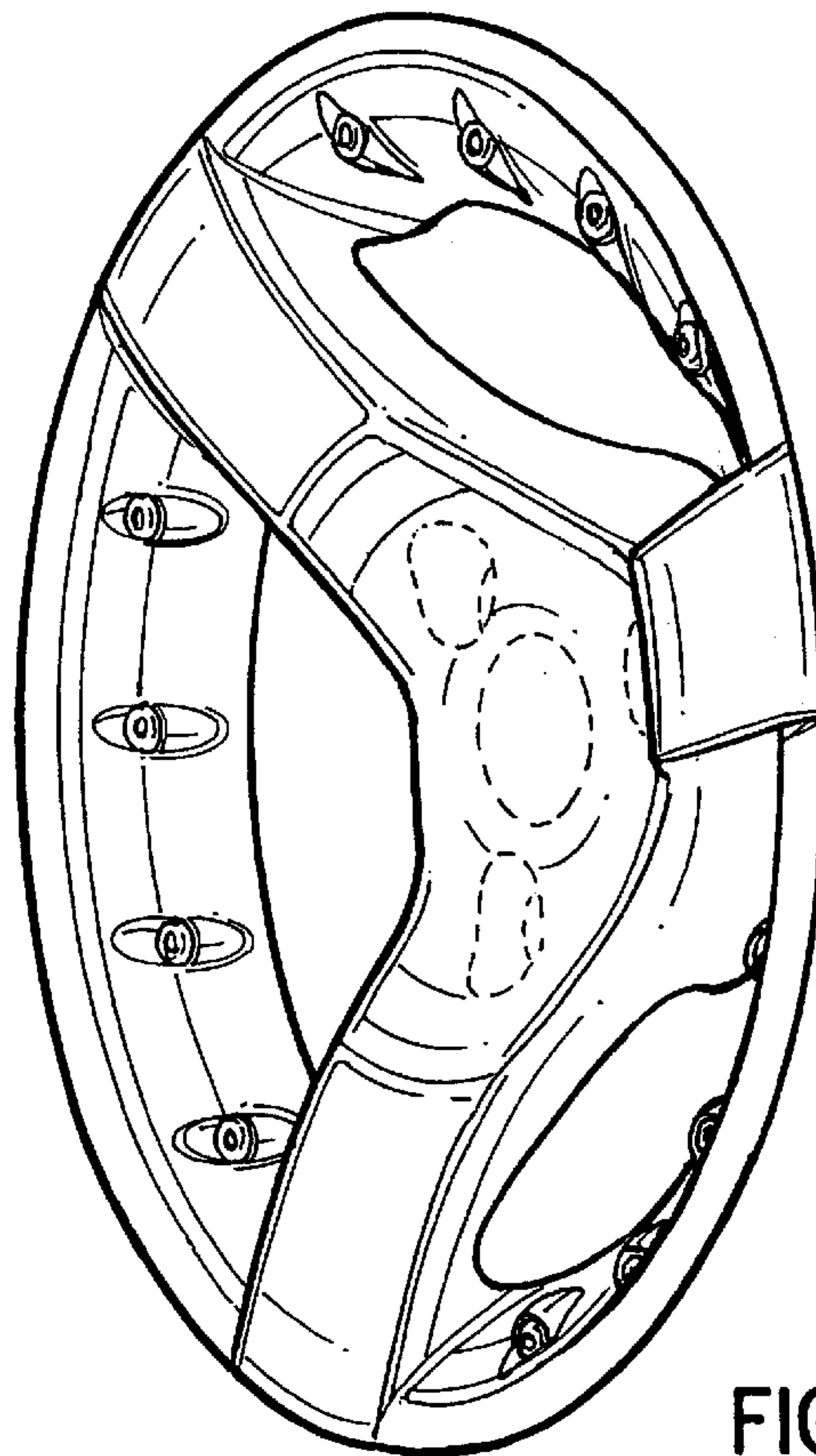


FIG. 4