



US00D454821S

(12) **United States Design Patent**
Pfeiffer

(10) **Patent No.:** **US D454,821 S**

(45) **Date of Patent:** **** Mar. 26, 2002**

(54) **FRONT FACE OF A VEHICLE WHEEL**

(75) Inventor: **Peter Pfeiffer**, Böblingen (DE)

(73) Assignee: **DaimlerChrysler AG**, Stuttgart (DE)

(**) Term: **14 Years**

(21) Appl. No.: **29/130,038**

(22) Filed: **Sep. 26, 2000**

(30) **Foreign Application Priority Data**

Apr. 18, 2000 (DE) 4 00 03 937

(51) **LOC (7) Cl.** **12-16**

(52) **U.S. Cl.** **D12/209**

(58) **Field of Search** D12/204-211;
301/37.1, 64.1, 65

(56) **References Cited**

U.S. PATENT DOCUMENTS

D197,840 S	*	3/1964	Deaver	D12/209
D292,692 S	*	11/1987	Smith et al.	D12/211
D302,264 S	*	7/1989	Soederberg	D12/209
D367,031 S	*	2/1996	Hubbach	D12/209
D370,883 S	*	6/1996	Bhambra	D12/209
D375,074 S	*	10/1996	Sacco et al.	D12/209
D377,471 S	*	1/1997	Stach	D12/209
D383,722 S	*	9/1997	Sgalia et al.	D12/209
D384,024 S	*	9/1997	Roesianto	D12/209
D385,524 S	*	10/1997	Nagashima	D12/209

D412,479 S	*	8/1999	Sacco et al.	D12/209
D416,848 S	*	11/1999	Bernoni	D12/209
D419,512 S	*	1/2000	Sacco et al.	D12/209
D428,844 S	*	8/2000	Wang	D12/209
D430,523 S	*	9/2000	Pfeiffer	D12/209
D436,907 S	*	1/2001	Ong	D12/209
D451,458 S	*	12/2001	Sacco et al.	D12/209
D451,466 S	*	12/2001	Fujii	D12/211

* cited by examiner

Primary Examiner—Stacia Cadmus

(74) *Attorney, Agent, or Firm*—Crowell & Moring LLP

(57) **CLAIM**

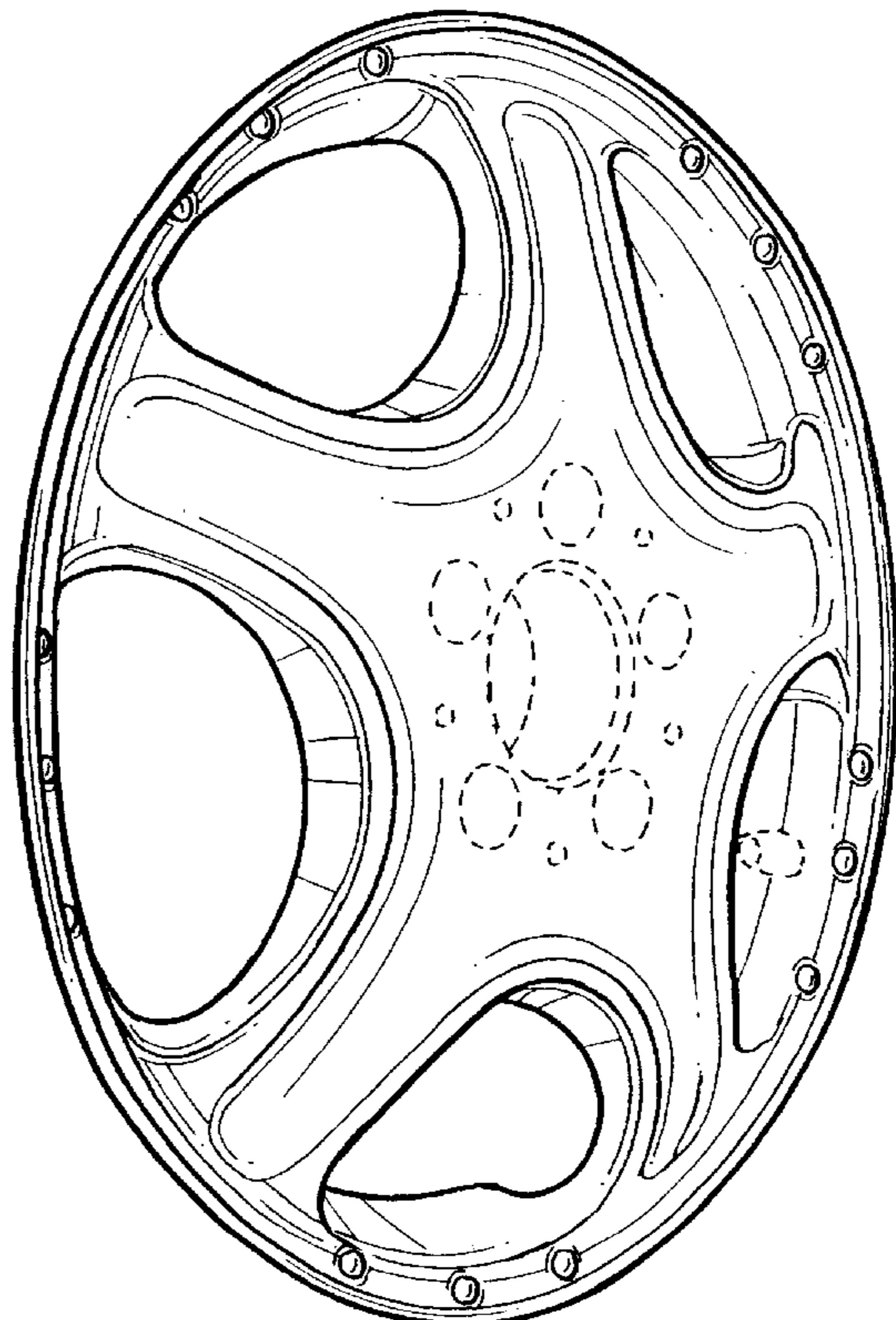
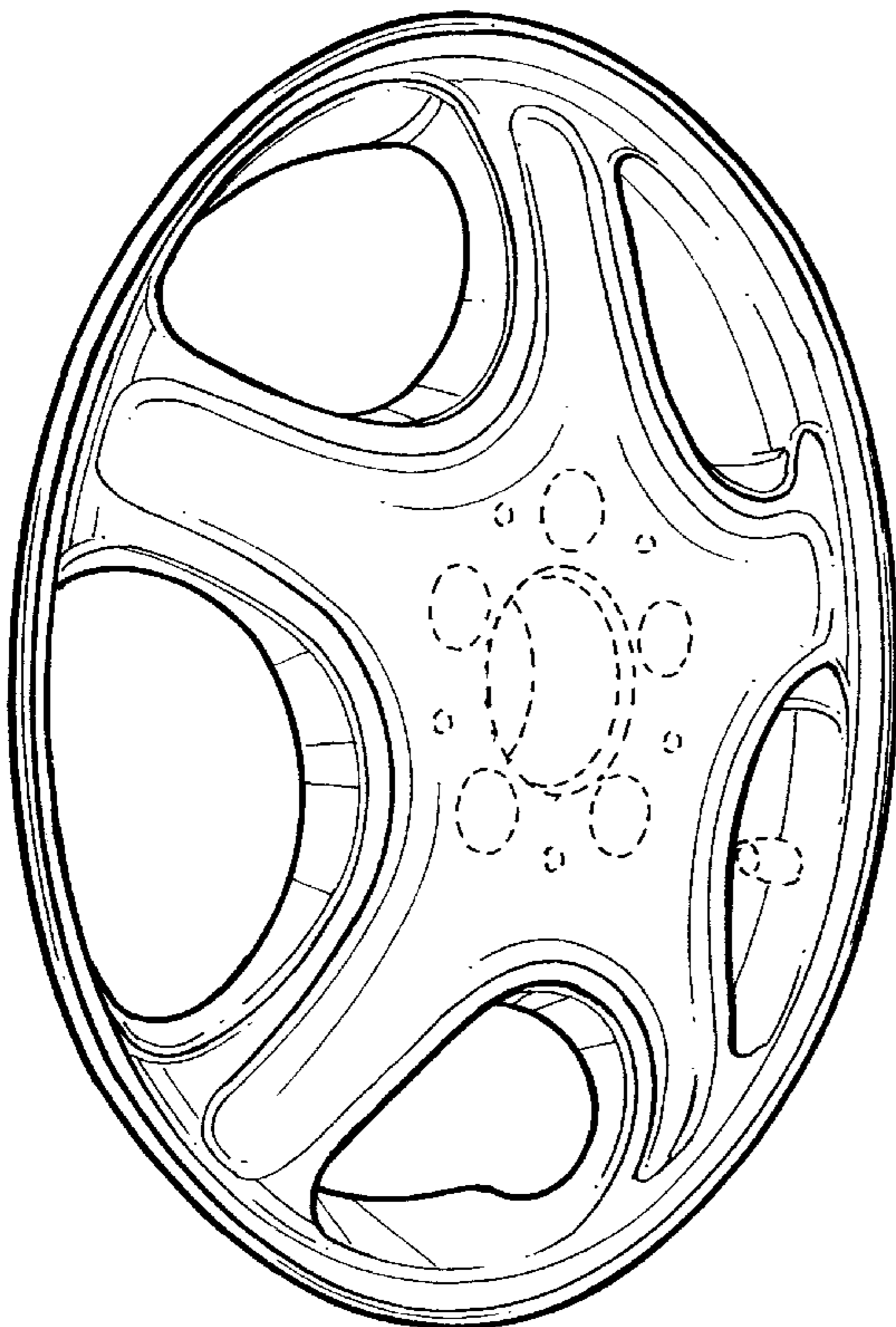
The ornamental design for a front face of a vehicle wheel, as shown and described.

DESCRIPTION

FIG. 1 is a front view of a first embodiment of a front face of a vehicle wheel according to my novel design; FIG. 2 is a perspective view of the first embodiment of the front face of a vehicle wheel according to my novel design; FIG. 3 is a front view of a second embodiment of the front face of a vehicle wheel according to my novel design; and, FIG. 4 is a perspective view of the second embodiment of the front face of a vehicle wheel according to my novel design.

The dash lines included depict environment and are not part of the claimed design.

1 Claim, 2 Drawing Sheets



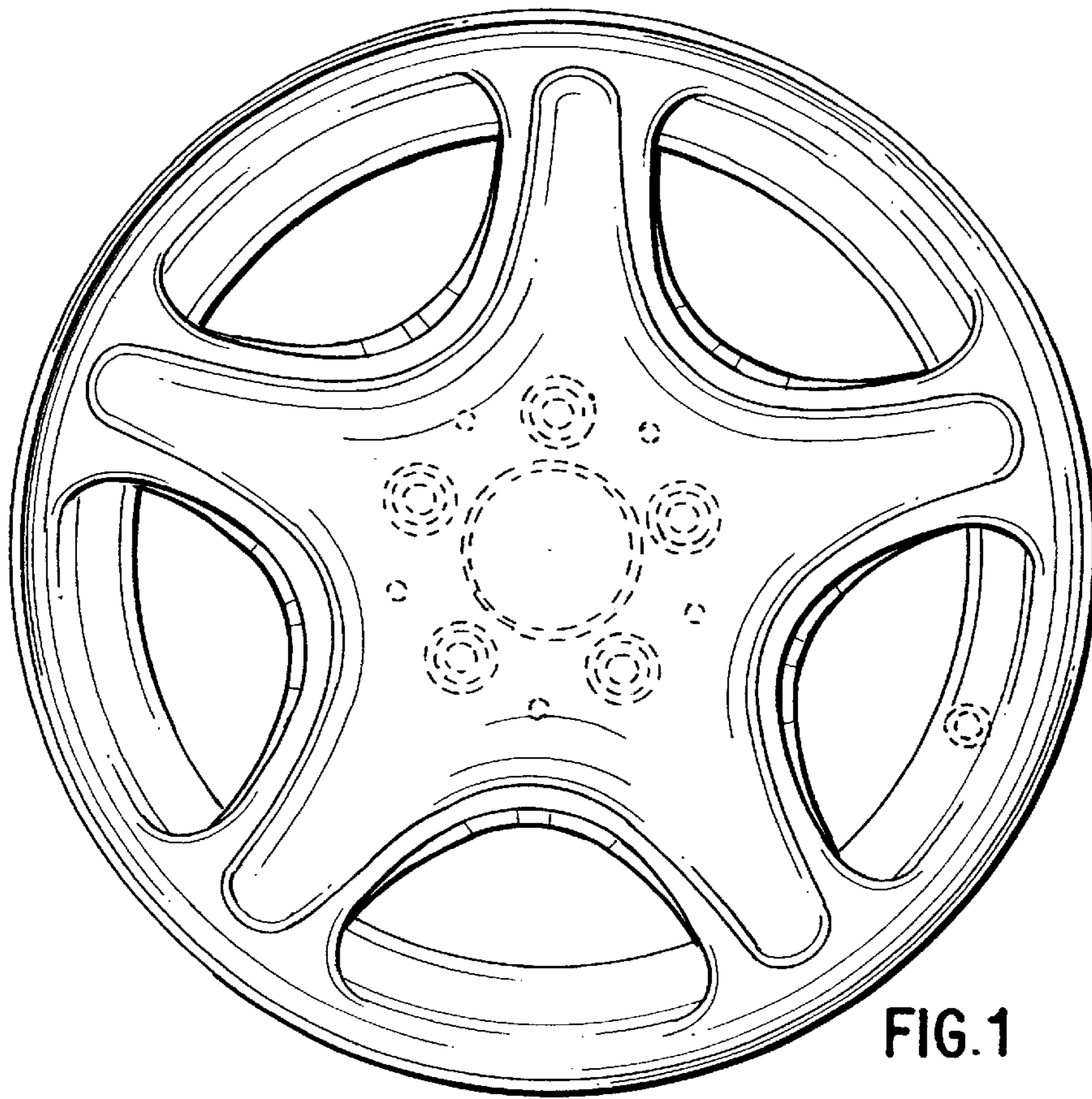


FIG. 1

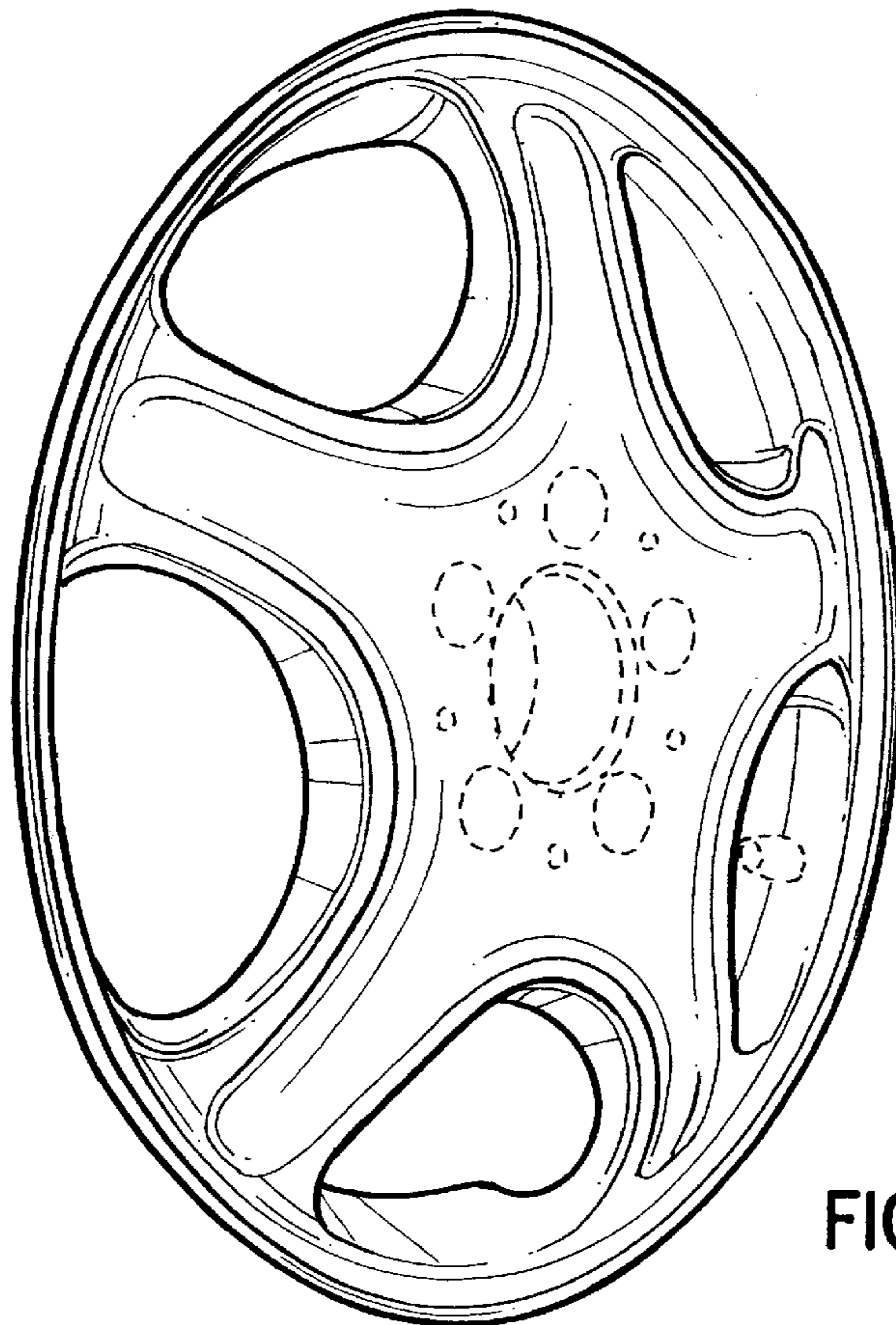


FIG. 2

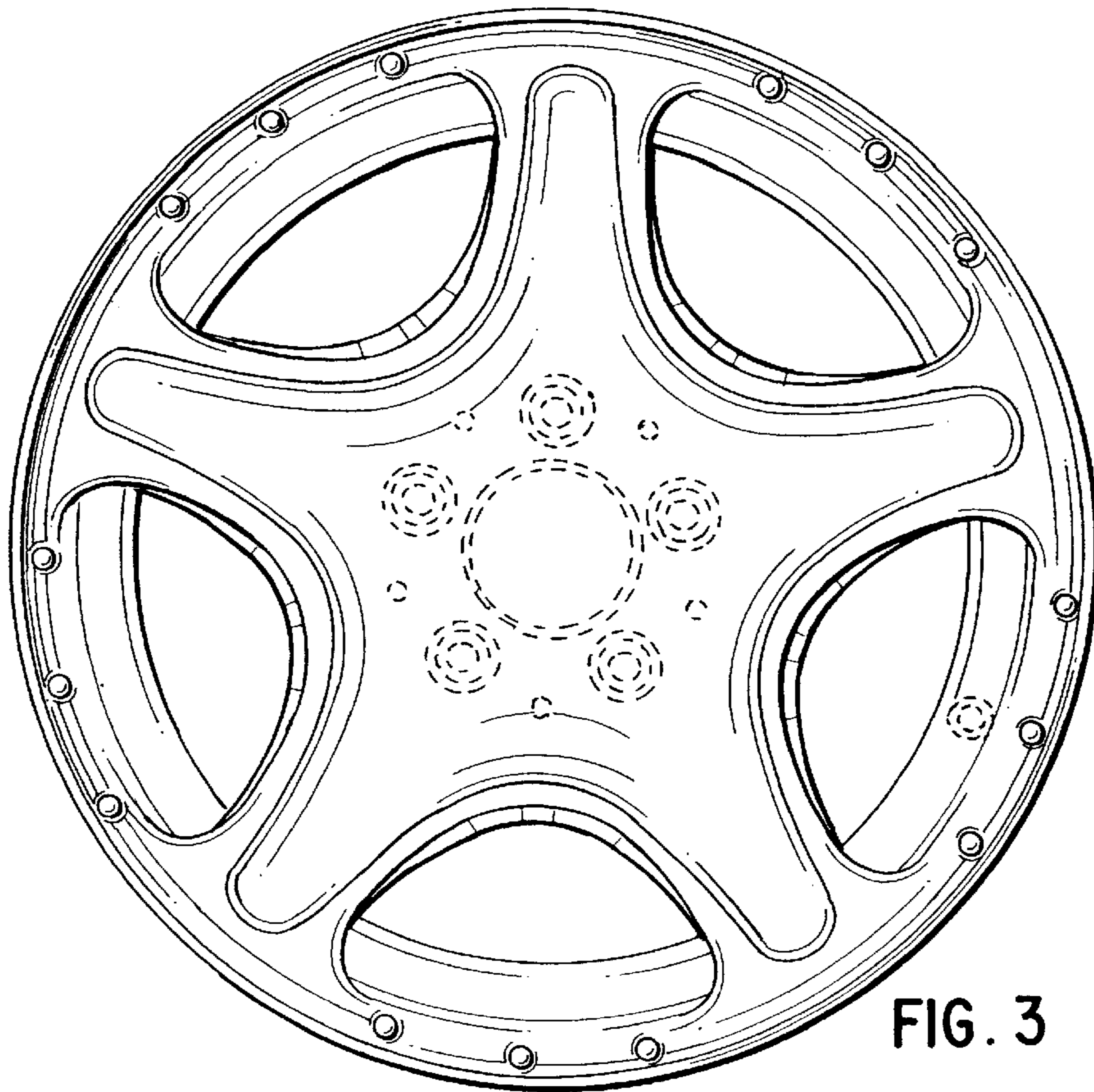


FIG. 3

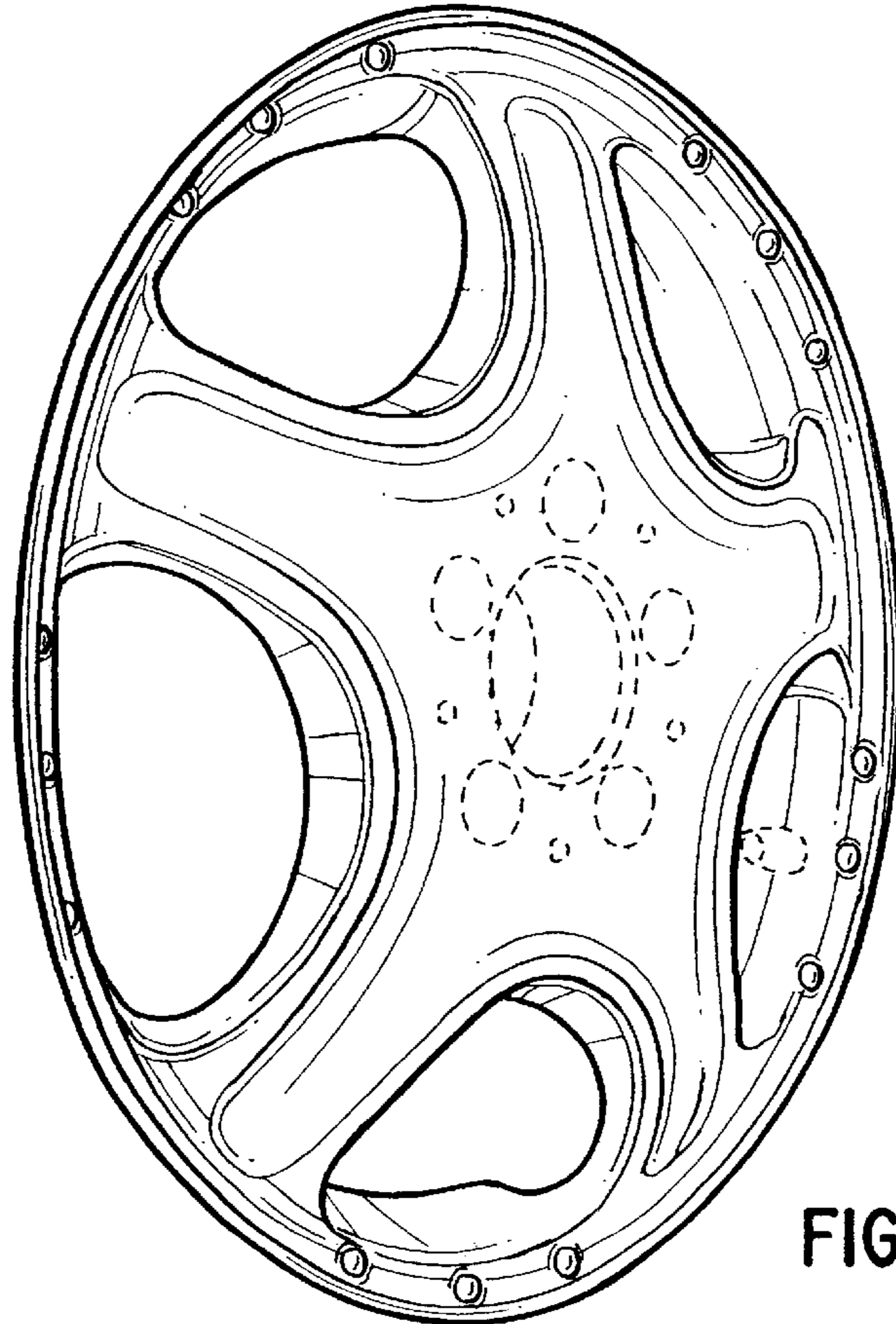


FIG. 4