



US00D454815S

(12) **United States Design Patent**
Guspodin et al.

(10) **Patent No.:** **US D454,815 S**
(45) **Date of Patent:** **** Mar. 26, 2002**

- (54) **TIRE SHOULDER REGION**
- (75) Inventors: **James G. Guspodin**, Akron; **David M. Reep**, Copley, both of OH (US)
- (73) Assignee: **Bridgestone/Firestone Research, Inc.**, Akron, OH (US)
- (**) Term: **14 Years**
- (21) Appl. No.: **29/142,419**
- (22) Filed: **May 24, 2001**
- (51) **LOC (7) Cl.** **12-15**
- (52) **U.S. Cl.** **D12/152**
- (58) **Field of Search** D12/134-152;
152/209.1, 209.9, 209.16, 209.25, 209.27,
523, 524, 902, 903

- D386,470 S 11/1997 Scheuren et al.
- D389,104 S 1/1998 Morgan
- D397,649 S 9/1998 Grosskopf et al.
- D413,287 S 8/1999 Brown et al.
- D413,288 S * 8/1999 Brown et al. D12/147
- D416,838 S 11/1999 Cercek et al.
- D418,458 S 1/2000 Kemp, Jr.
- D420,949 S 2/2000 Poling
- D420,950 S 2/2000 Hitzky et al.
- D425,458 S 5/2000 Cho et al.
- D427,552 S 7/2000 Young
- D430,834 S 9/2000 Allison
- D431,214 S * 9/2000 Allison D12/146
- D441,697 S * 5/2001 Allison D12/147
- D442,128 S * 5/2001 Allison D12/152

OTHER PUBLICATIONS

Starfire Bronco STD Radial LT Tire, 1999 Tread Design Guide, Jan. 1999, p. 118. 4/3.*

* cited by examiner

Primary Examiner—Robert M. Spear
(74) *Attorney, Agent, or Firm*—Thomas R. Kingsbury; Michael Sand; John H. Hornickel

(56) **References Cited**

U.S. PATENT DOCUMENTS

- D260,872 S 9/1981 Wright et al.
- D274,232 S 6/1984 Kohno et al.
- D302,412 S 7/1989 Goergen et al.
- D303,363 S 9/1989 Graas
- D303,364 S 9/1989 Graas et al.
- 4,915,150 A * 4/1990 Takusagawa et al. .. 152/209.16
- D313,777 S 1/1991 Yamashita
- D319,994 S 9/1991 Manestar
- D323,310 S 1/1992 Nakatani
- 5,078,190 A 1/1992 Wissbrock et al.
- D328,578 S 8/1992 Cormier et al.
- D329,217 S 9/1992 Ota et al.
- D337,977 S 8/1993 Shinohara et al.
- D337,978 S 8/1993 Himuro et al.
- D340,436 S 10/1993 Baus
- D342,706 S 12/1993 Wise
- D344,049 S 2/1994 Brown et al.
- D345,722 S 4/1994 Hitzky et al.
- D346,766 S 5/1994 Haas et al.
- D350,093 S 8/1994 Fukushima
- D354,467 S 1/1995 Wallet et al.
- D368,686 S 4/1996 Haas et al.
- D383,716 S 9/1997 Brown et al.
- D384,309 S 9/1997 Heinen

(57) **CLAIM**

The ornamental design for a tire shoulder region, as shown and described.

DESCRIPTION

FIG. 1 is a right side perspective view of a tire shoulder region showing our new design, it being understood that the shoulder region is repeated throughout the circumference of the tire;

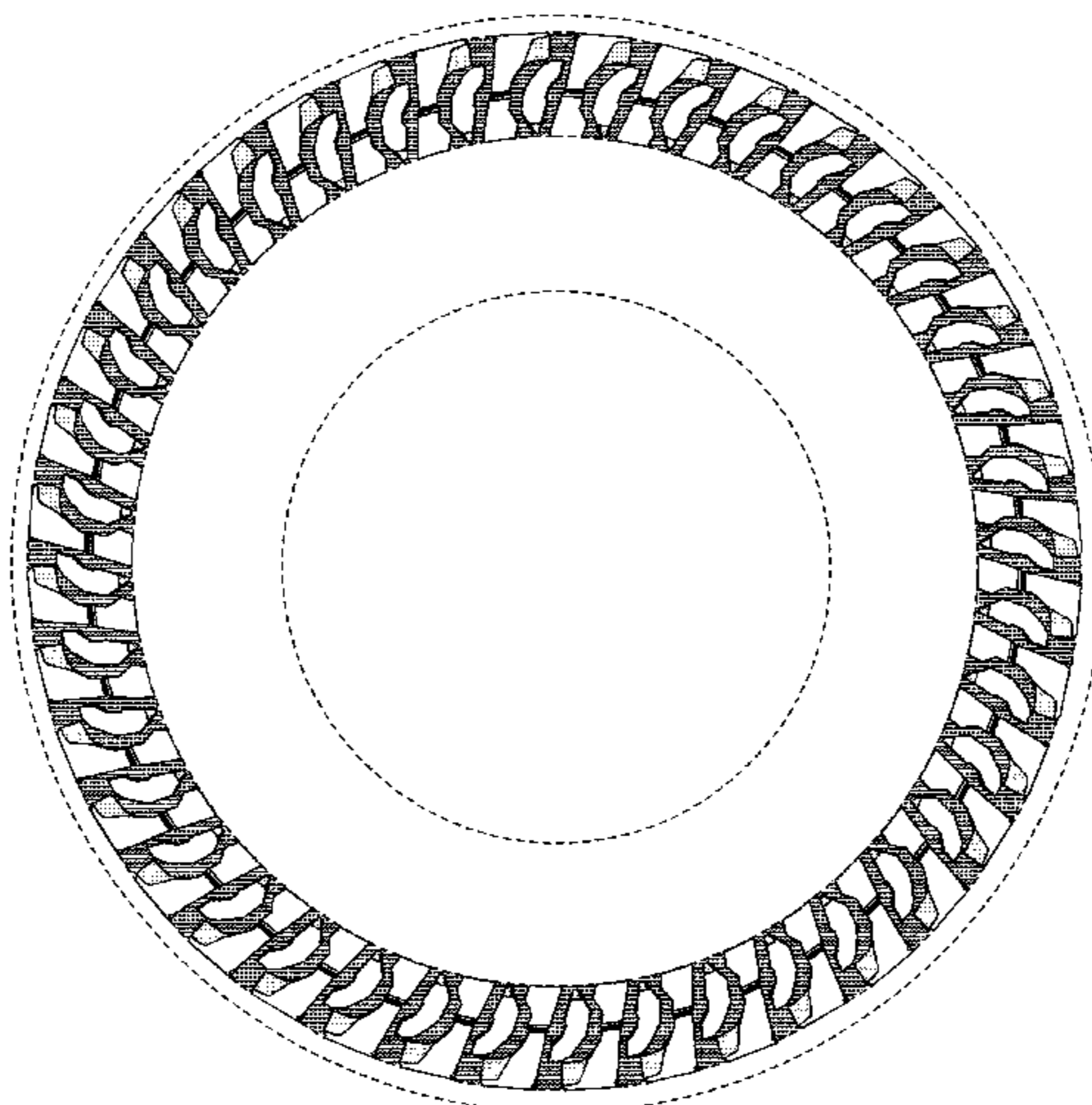
FIG. 2 is a front elevational view thereof;

FIG. 3 is a side elevational view thereof; and,

FIG. 4 is an enlarged fragmentary right side perspective view thereof.

The broken lines depicting the tire inner bead and sidewall and the peripheral boundary between the tire tread and the sidewall are for illustrative purposes only and form no part of the claimed design.

1 Claim, 4 Drawing Sheets



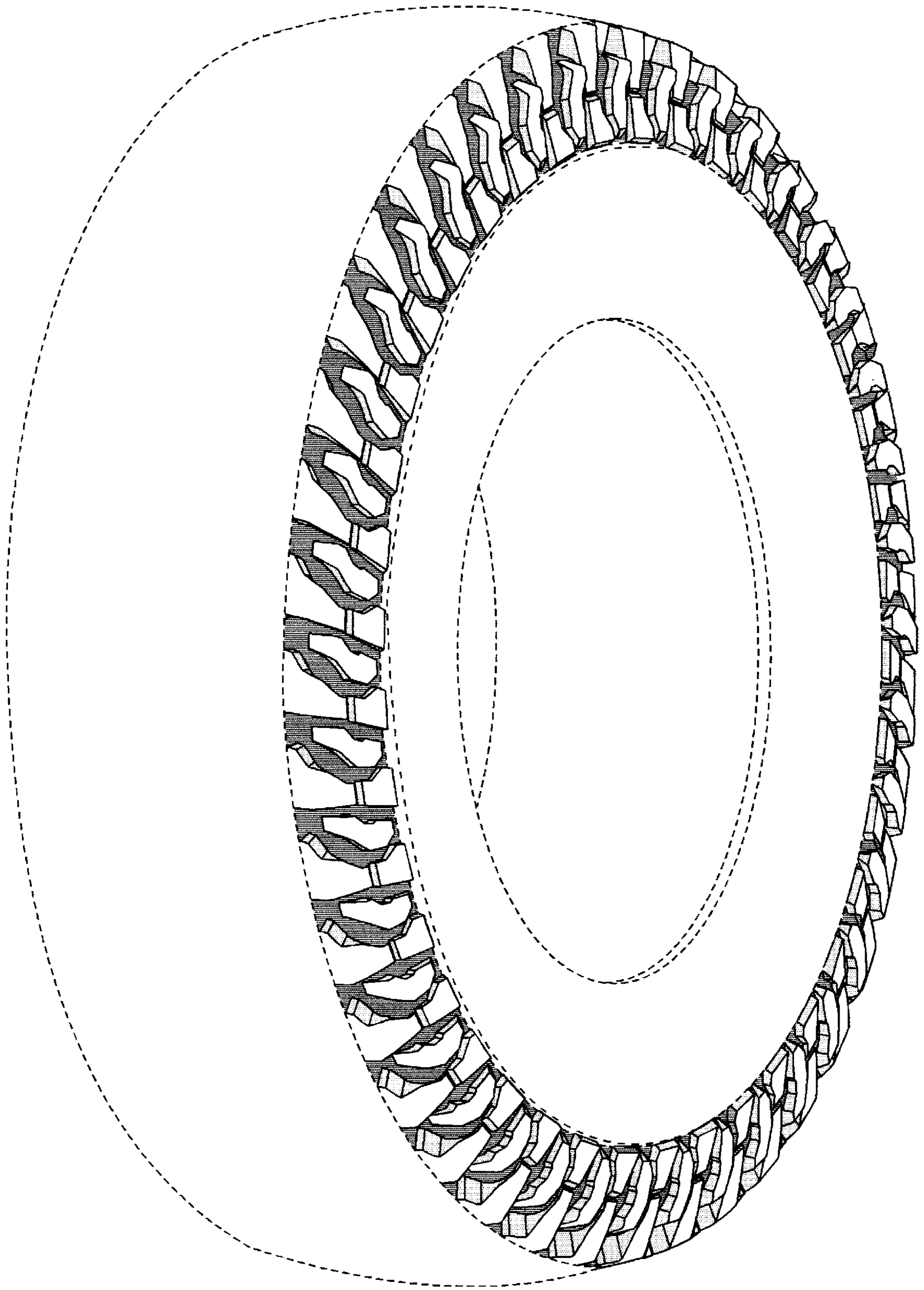


FIG-1

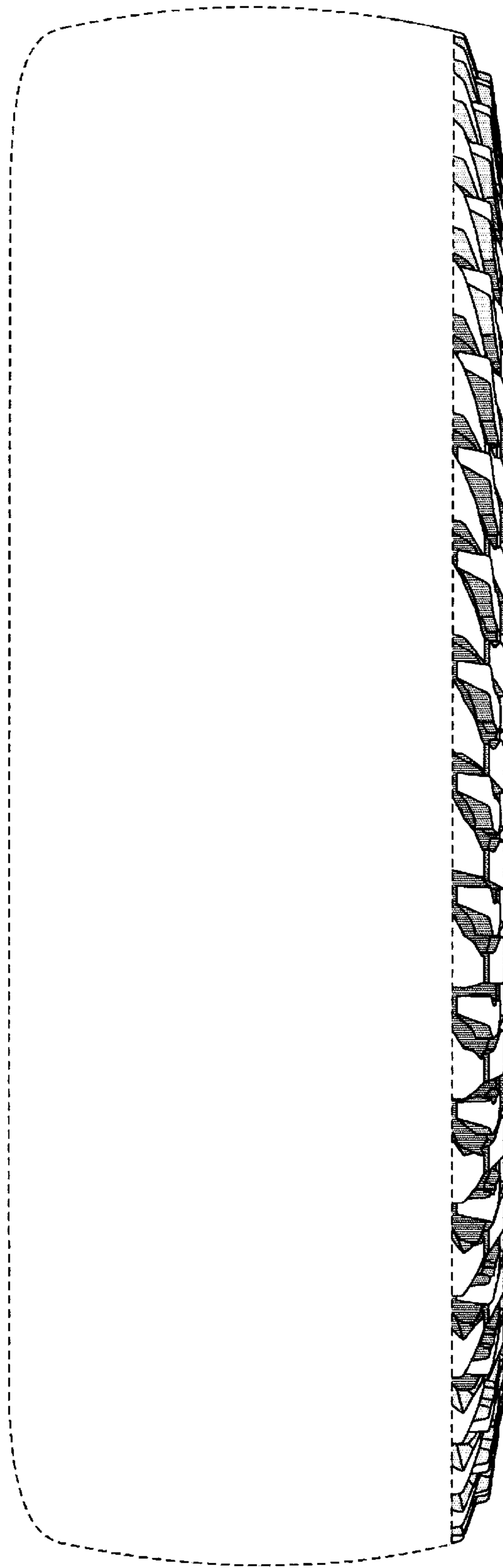


FIG-2

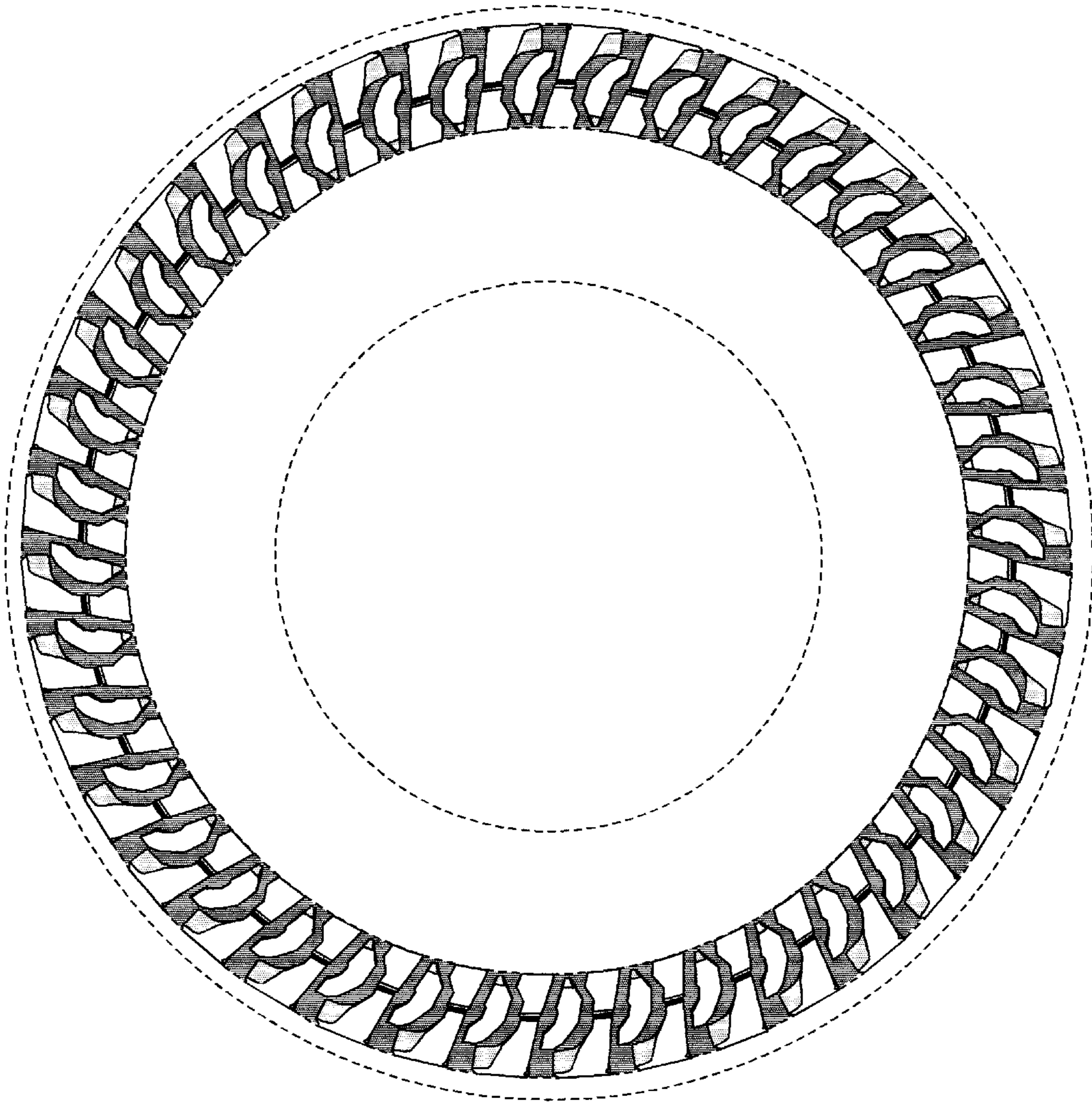


FIG-3

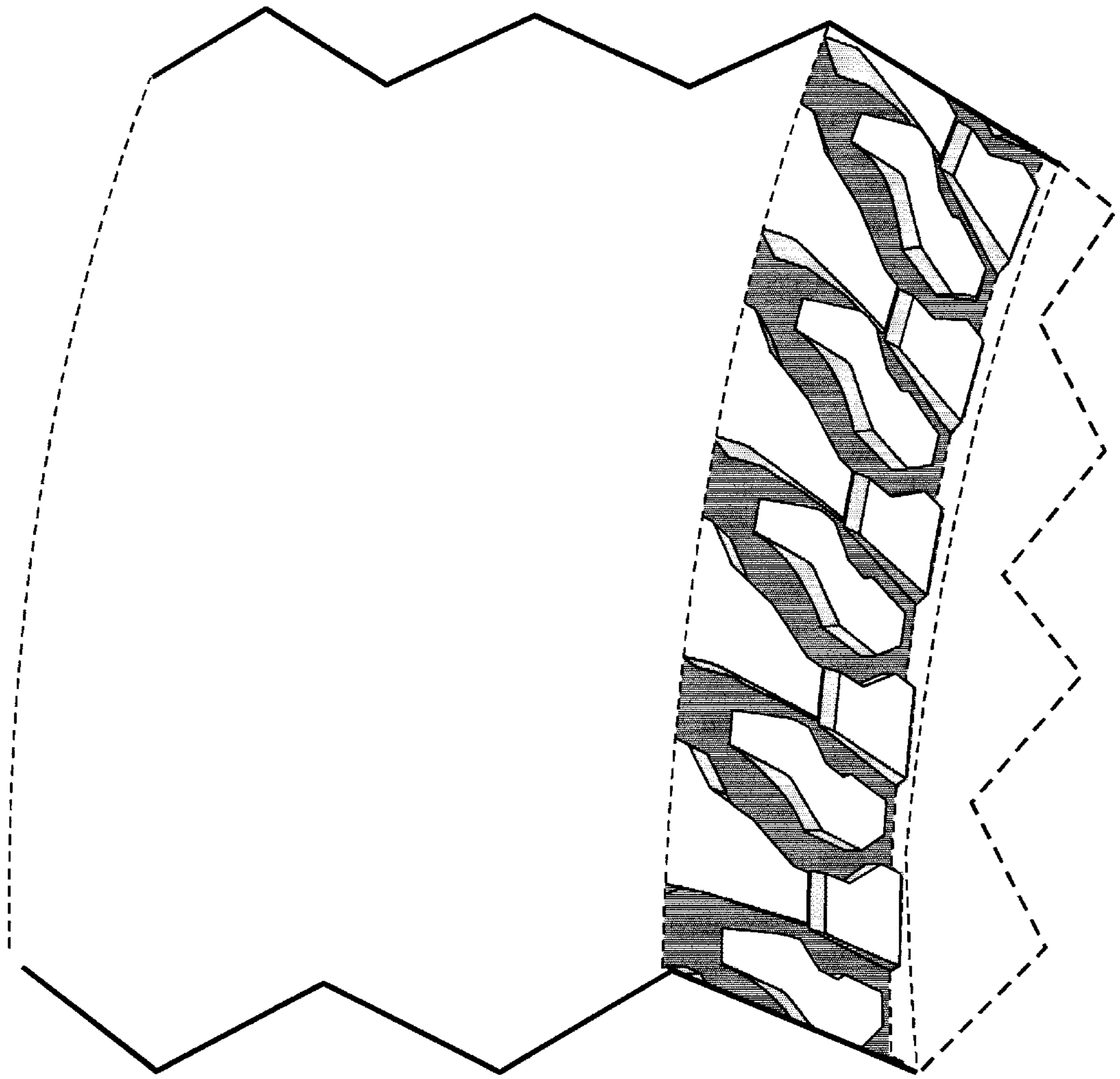


FIG-4