



US00D454814S

(12) **United States Design Patent**
Ou

(10) **Patent No.:** **US D454,814 S**

(45) **Date of Patent:** **** Mar. 26, 2002**

(54) **ELECTRIC MEDICAL SCOOTER**

D444,421 S * 7/2001 Cheng D12/131

D444,422 S * 7/2001 Cheng D12/131

(75) Inventor: **Pao-Yin Ou**, Hsin Chu Hsien (TW)

* cited by examiner

(73) Assignee: **Tonic Fitness Technology, Inc.**, Tainan Hsien (TW)

Primary Examiner—Marcus A. Jackson

(74) *Attorney, Agent, or Firm*—Bacon & Thomas, PLLC

(**) Term: **14 Years**

(57) **CLAIM**

(21) Appl. No.: **29/147,871**

The ornamental design for an electric medical scooter, as shown and described.

(22) Filed: **Sep. 10, 2001**

DESCRIPTION

(51) **LOC (7) Cl.** **12-12**

(52) **U.S. Cl.** **D12/128**

(58) **Field of Search** D12/128-133;
280/250.1, 304.1; 180/6.5, 65.1, 65.6, 907,
906; 297/DIG. 4

FIG. 1 is a perspective view of an electric medical scooter showing my new design;

FIG. 2 is a right side elevational view thereof;

FIG. 3 is a top plan view thereof;

FIG. 4 is a front elevational view thereof;

FIG. 5 is a bottom plan view thereof;

FIG. 6 is a left side elevational view thereof; and,

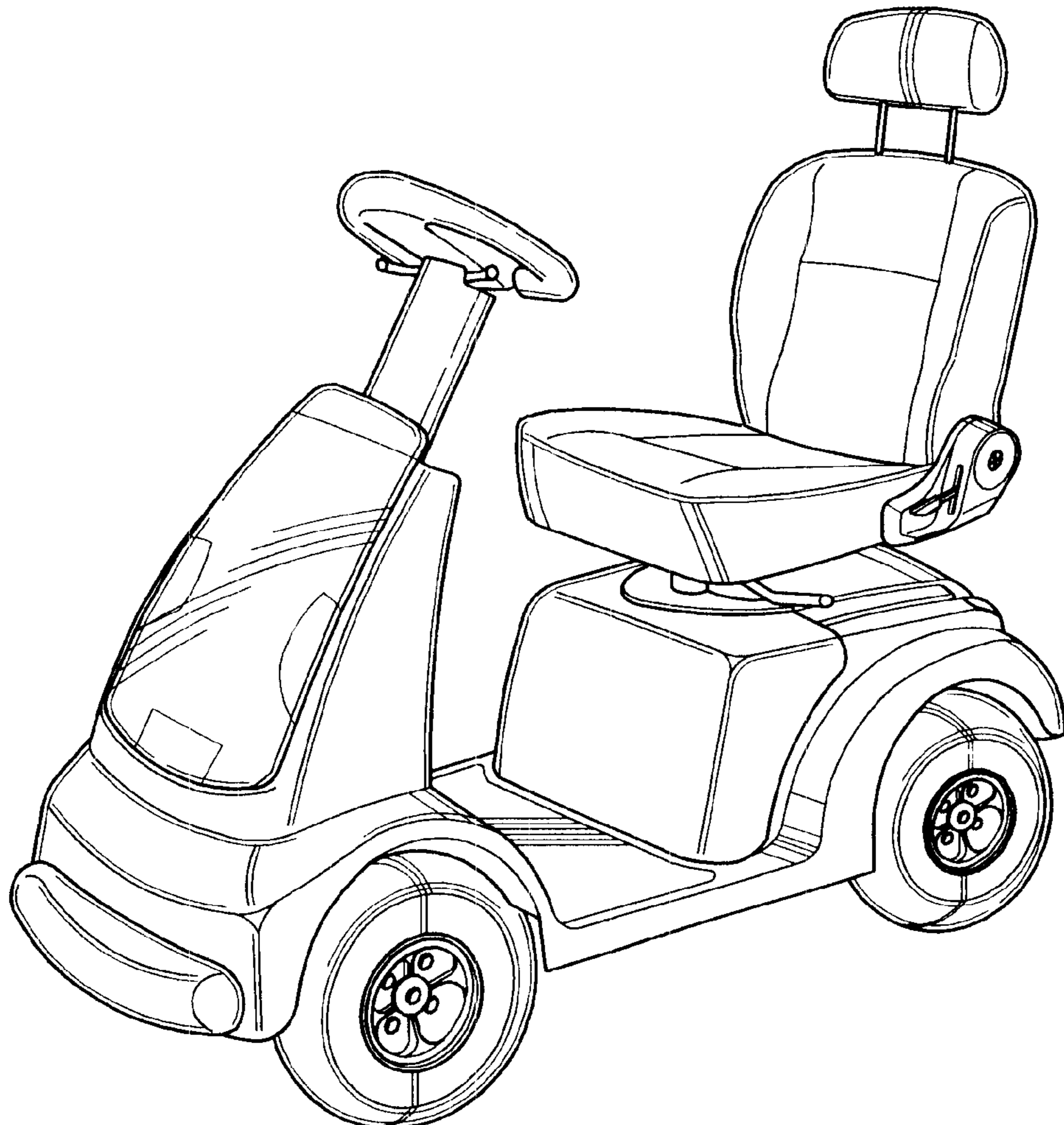
FIG. 7 is a rear elevational view.

(56) **References Cited**

U.S. PATENT DOCUMENTS

D403,279 S * 12/1998 Wu D12/131

1 Claim, 4 Drawing Sheets



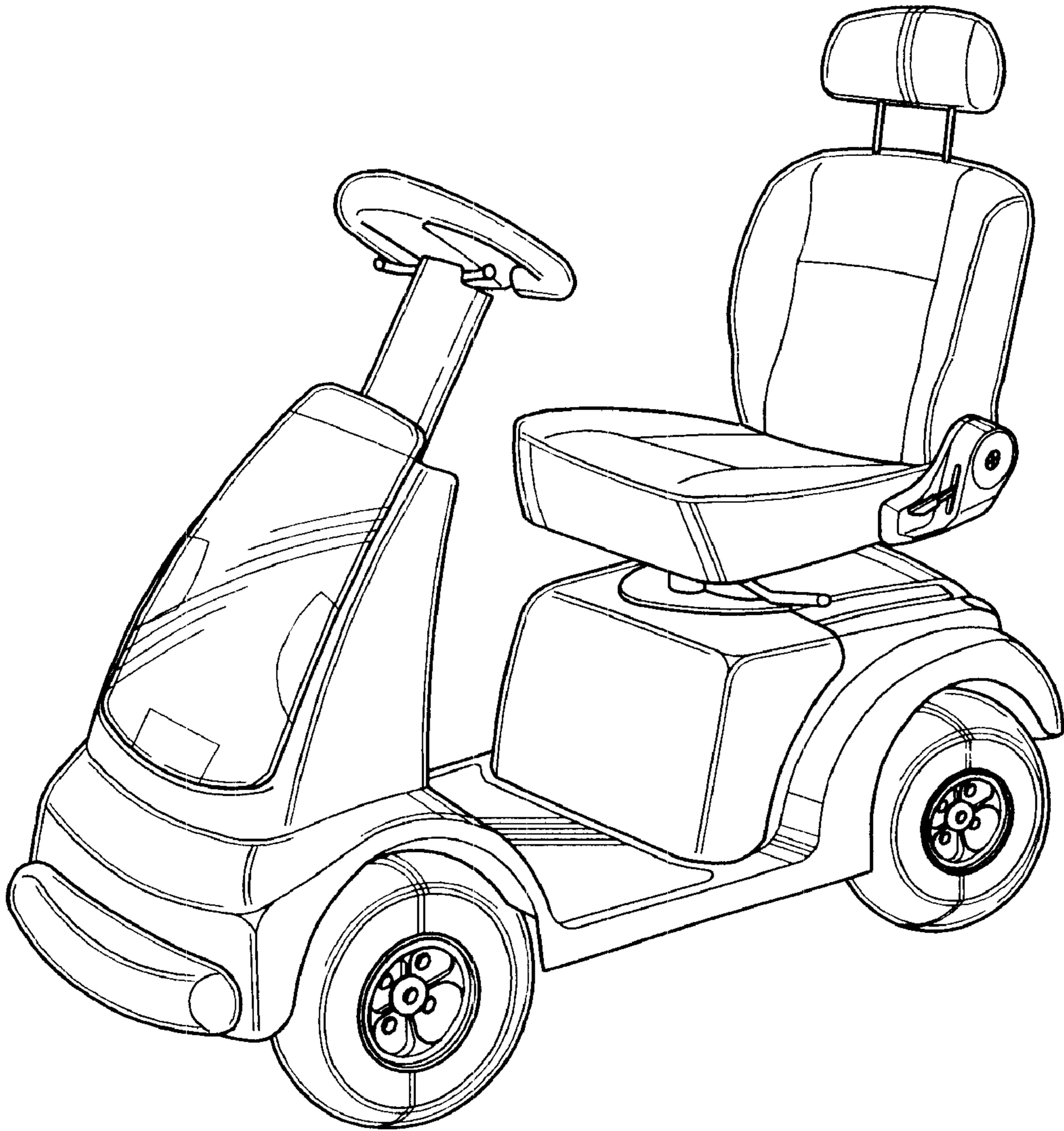


FIG. 1

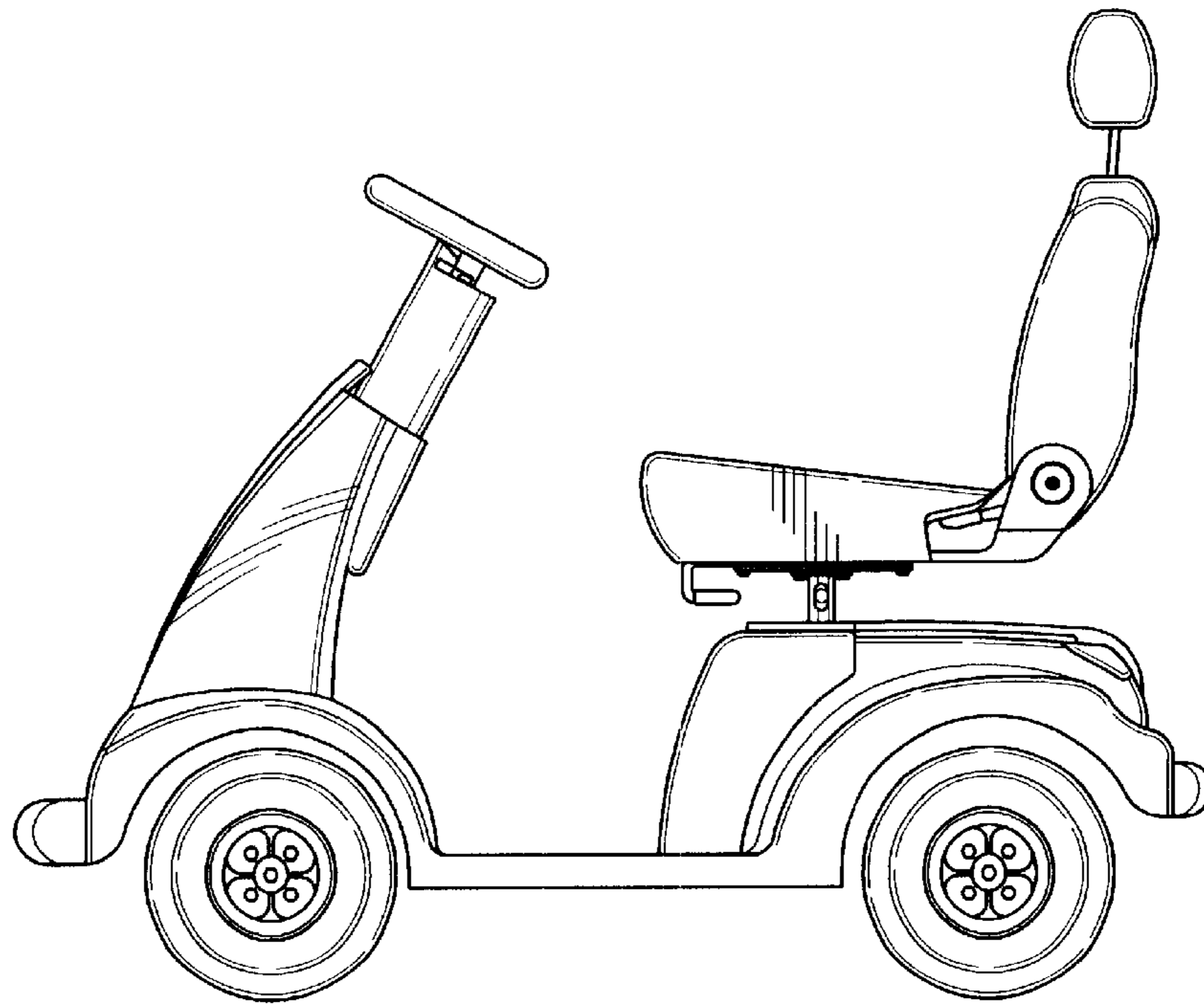


FIG. 2

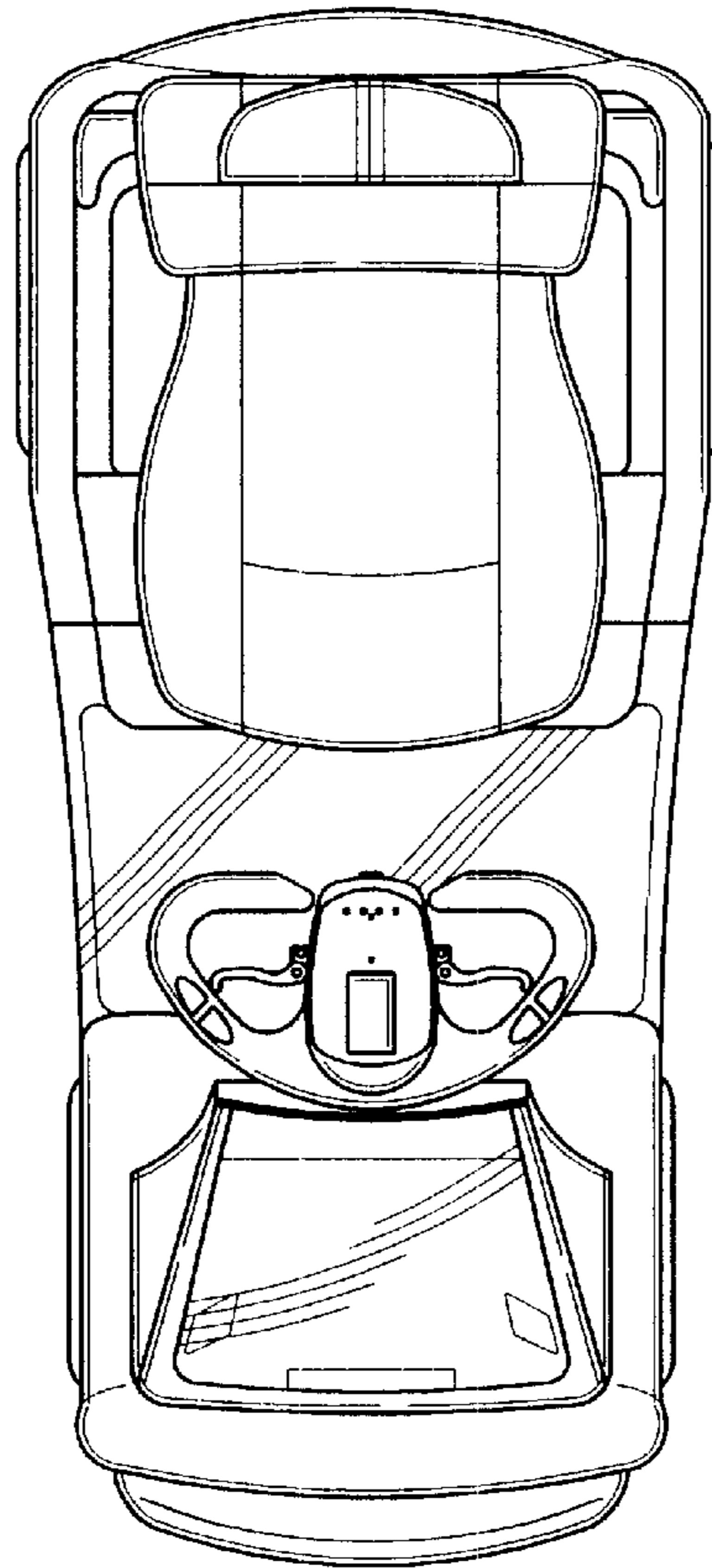


FIG. 3

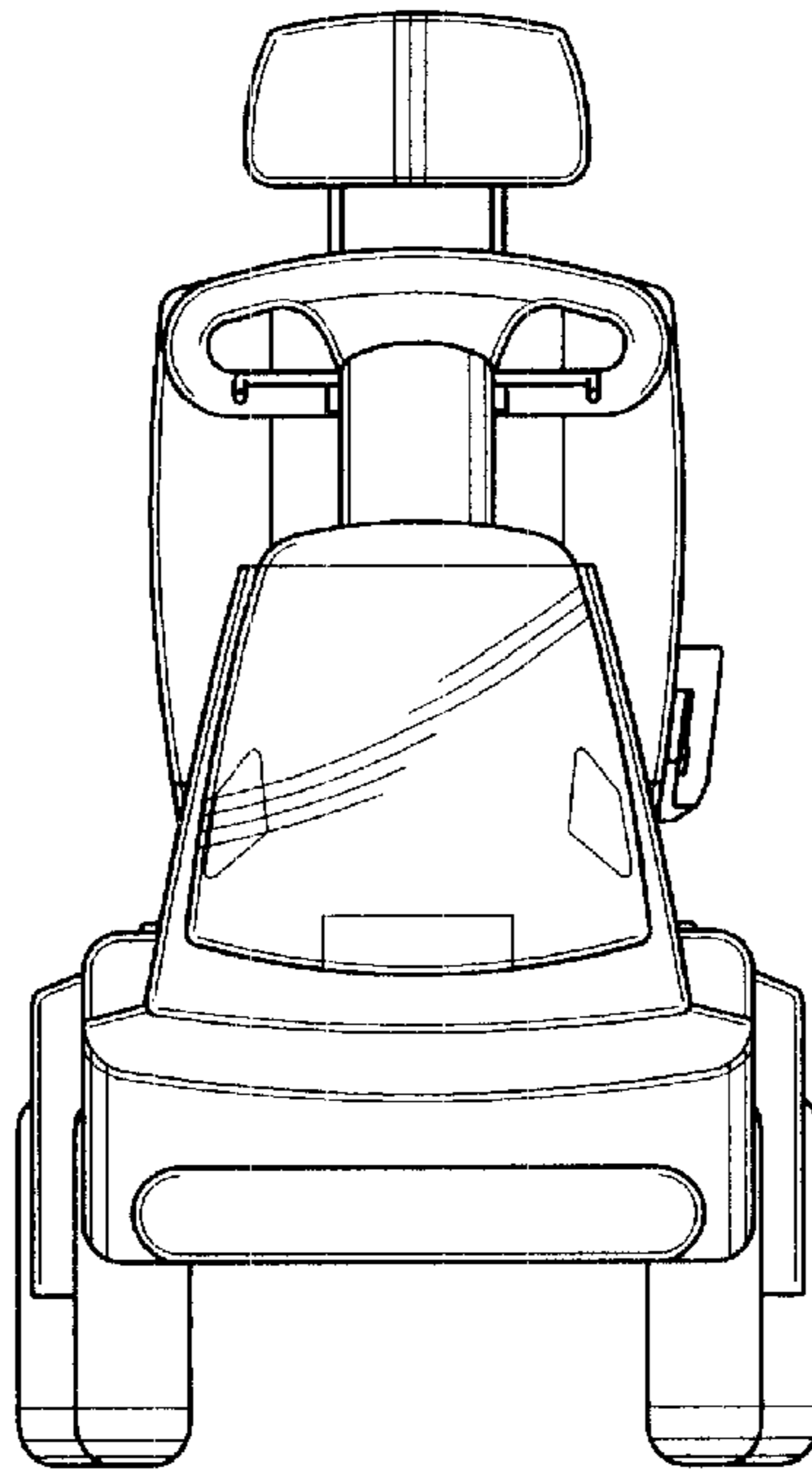


FIG. 4

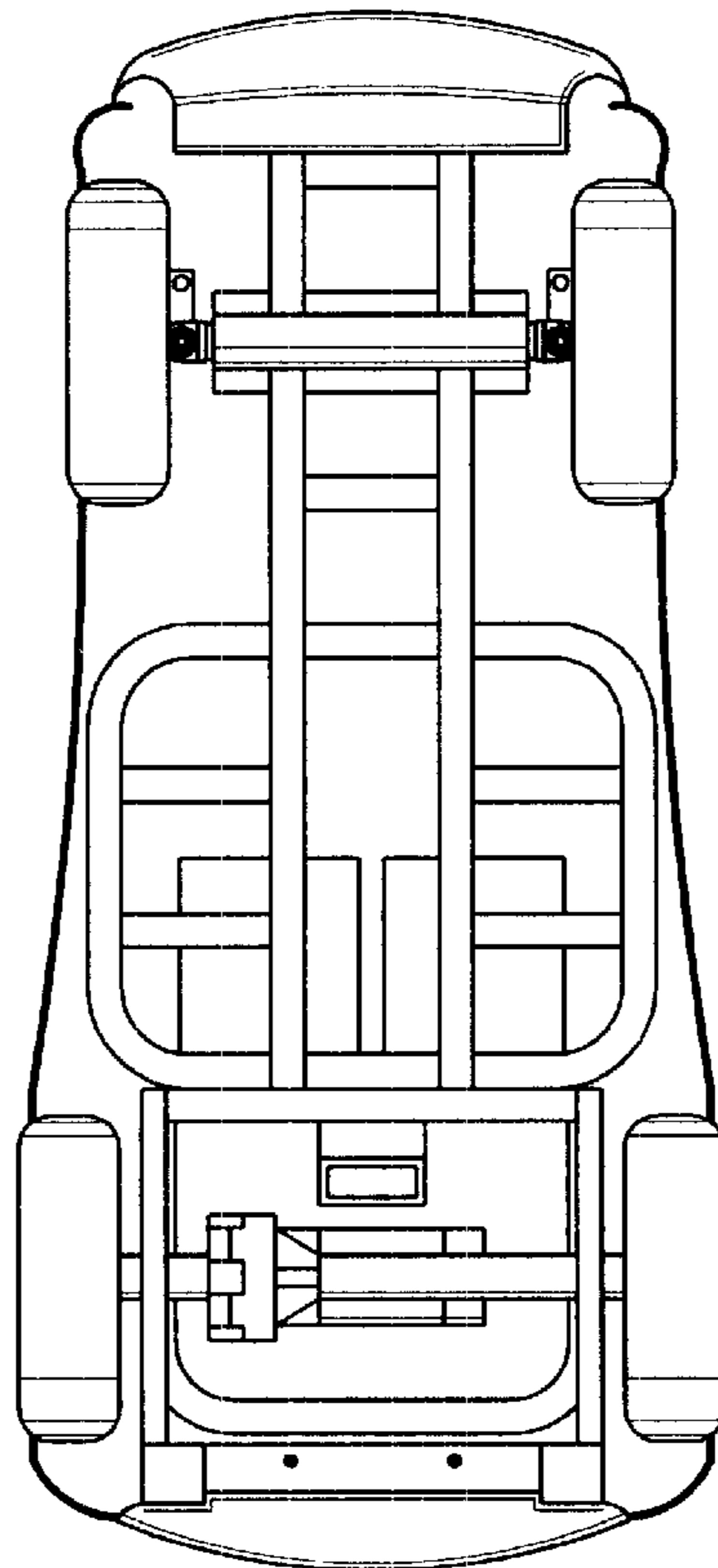


FIG. 5

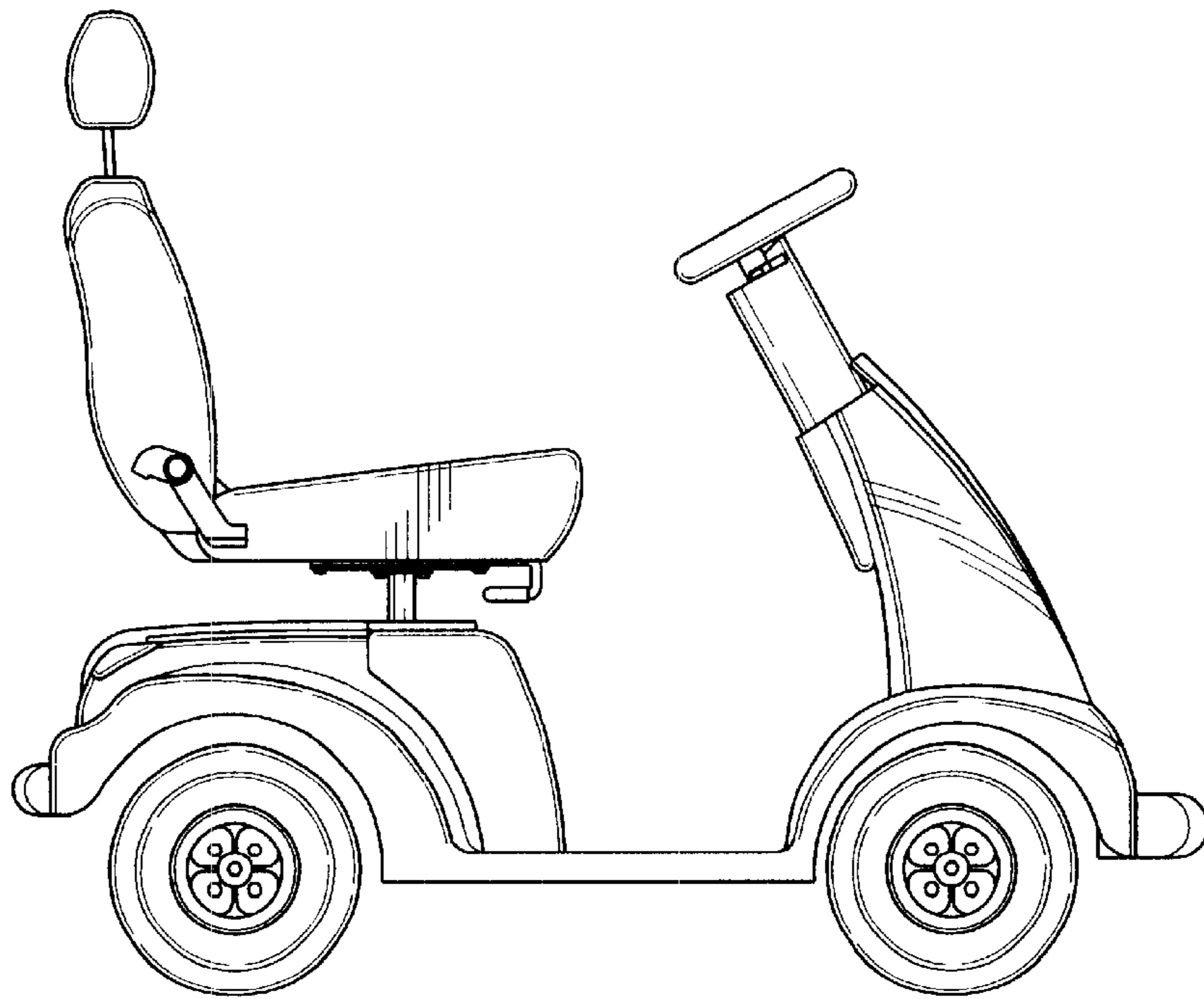


FIG. 6

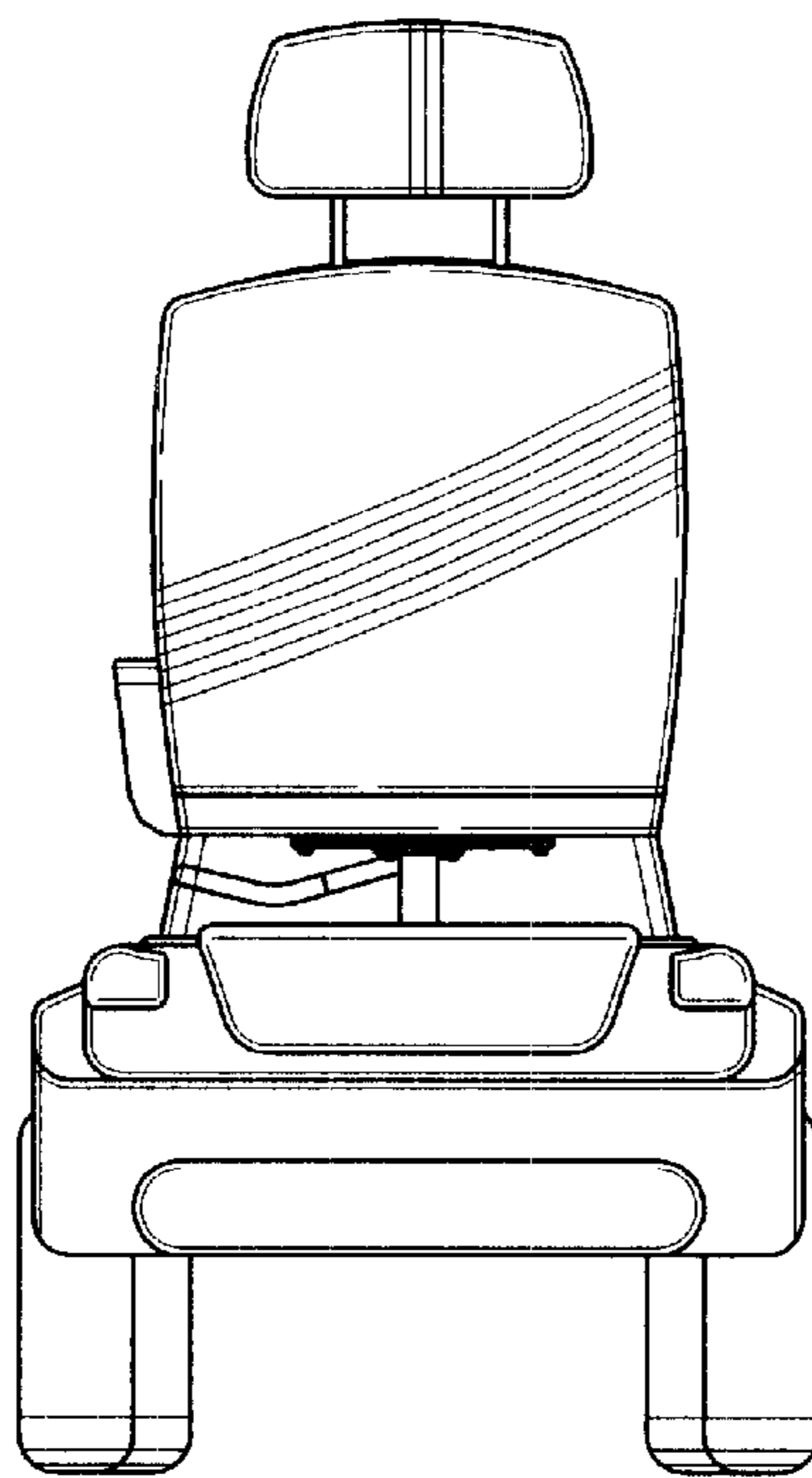


FIG. 7