



US00D454811S

(12) **United States Design Patent**
Perry et al.

(10) **Patent No.:** **US D454,811 S**

(45) **Date of Patent:** **** Mar. 26, 2002**

(54) **FLOWERPOT FIGURE**

(76) Inventors: **Max W. Perry; Jean C. Perry**, both of
6608 E. M-21, Corunna, MI (US)
48817

(**) Term: **14 Years**

(21) Appl. No.: **29/139,291**

(22) Filed: **Mar. 28, 2001**

(51) **LOC (7) Cl.** **11-02**

(52) **U.S. Cl.** **D11/160**

(58) **Field of Search** D11/117, 131,
D11/160, 121, 143, 149, 150; 446/385;
428/12, 16, 34.1, 34.4

(56) **References Cited**

U.S. PATENT DOCUMENTS

D129,306 S * 9/1941 Appelbaum D11/160
D212,333 S * 10/1968 Del Porto D11/160

3,593,456 A * 7/1971 Farris 428/16 X
D401,180 S * 11/1998 Compbell D11/160
D424,973 S * 5/2000 Roth D11/160
D447,441 S * 9/2001 Veach D11/160

* cited by examiner

Primary Examiner—Dominic Simone

(74) *Attorney, Agent, or Firm*—Schmeiser, Olsen and Watts

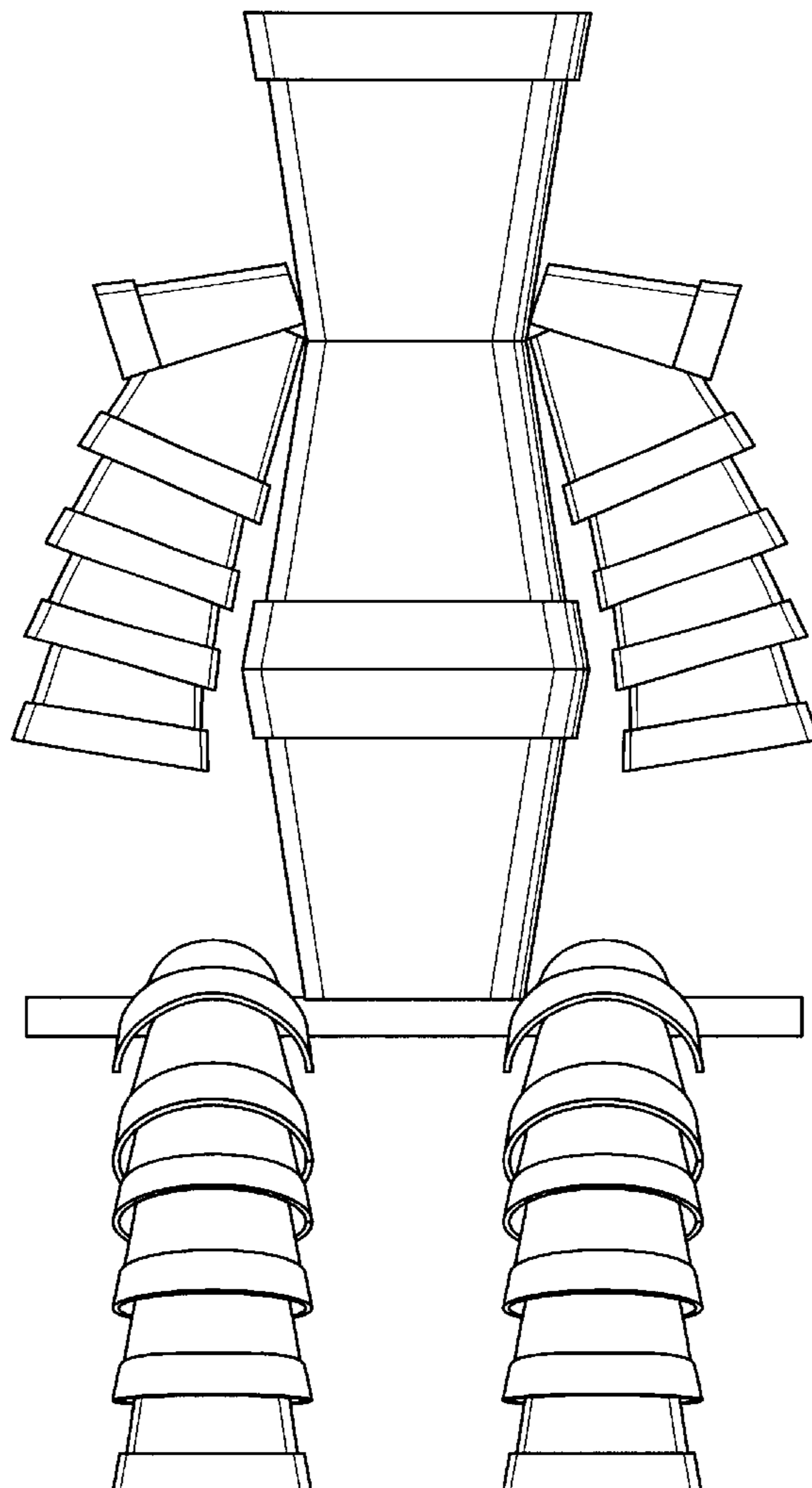
(57) **CLAIM**

The ornamental design for the flowerpot figure, as shown.

DESCRIPTION

FIG. 1 is a front view of the flowerpot figure;
FIG. 2 is a back view of the flowerpot figure;
FIG. 3 is a right side view of the flowerpot figure;
FIG. 4 is a left side view of the flowerpot figure;
FIG. 5 is a top view of the flowerpot figure; and,
FIG. 6 is a bottom view of the flowerpot figure.

1 Claim, 6 Drawing Sheets



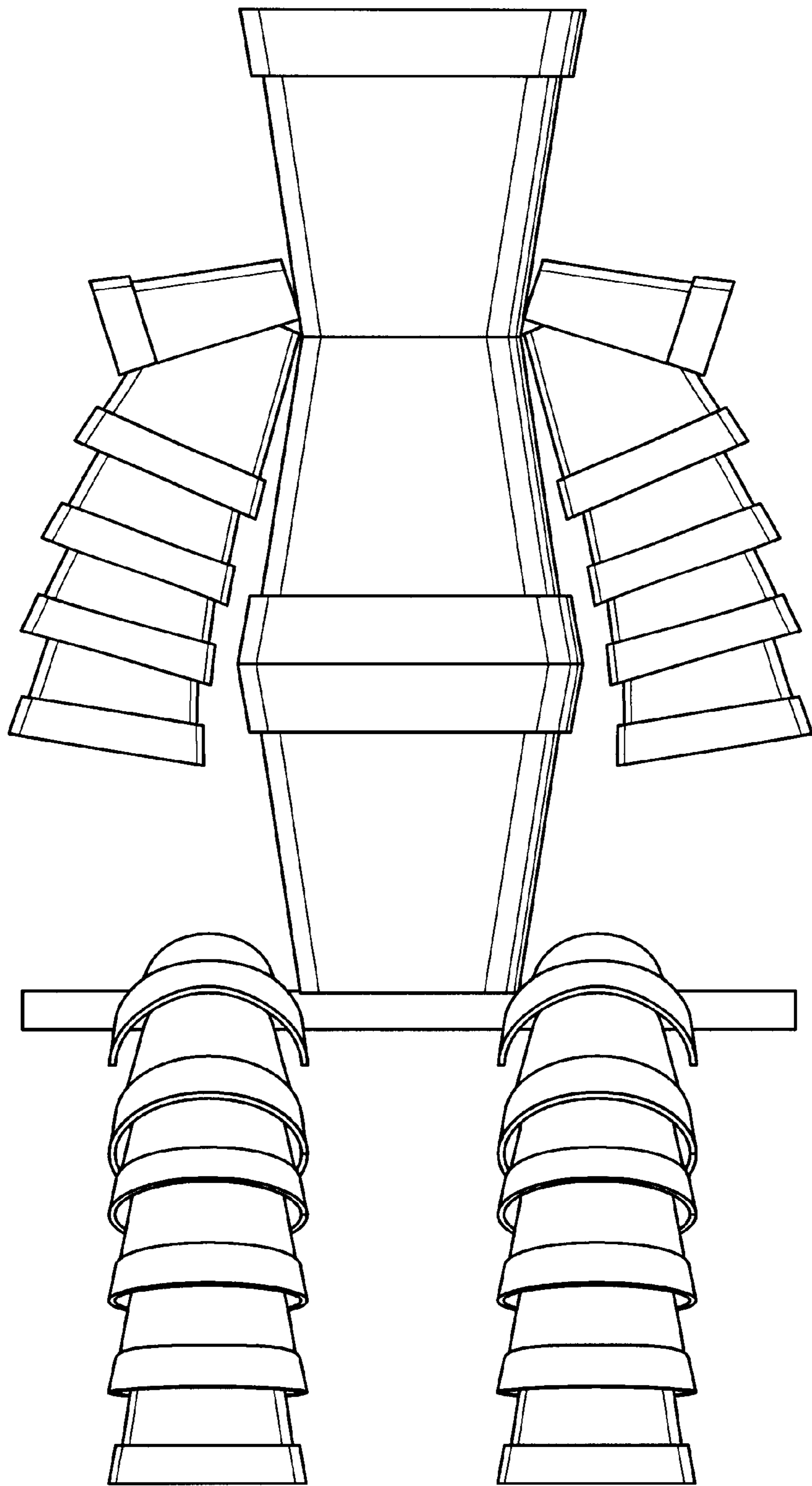


FIG. 1

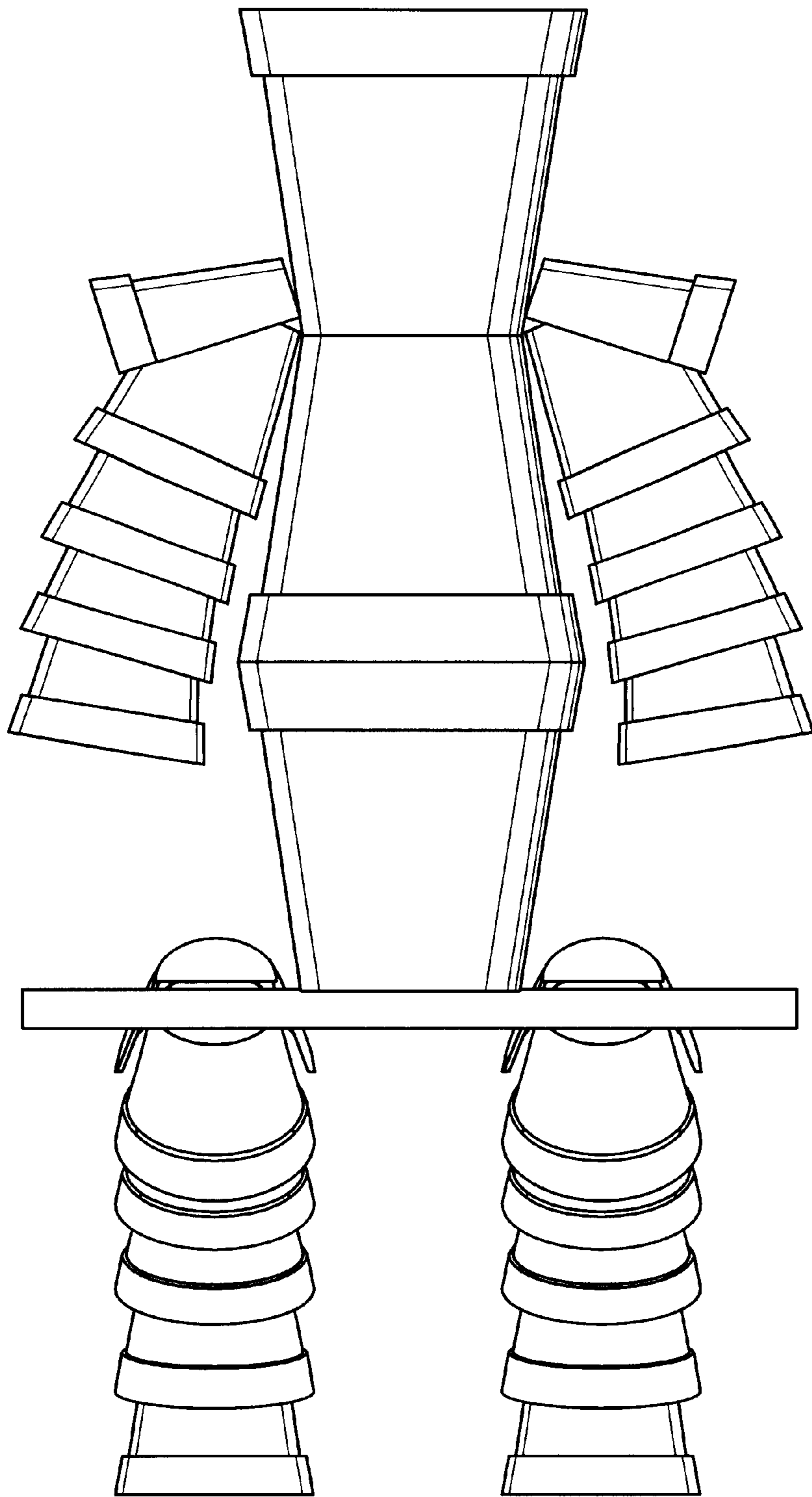


FIG. 2

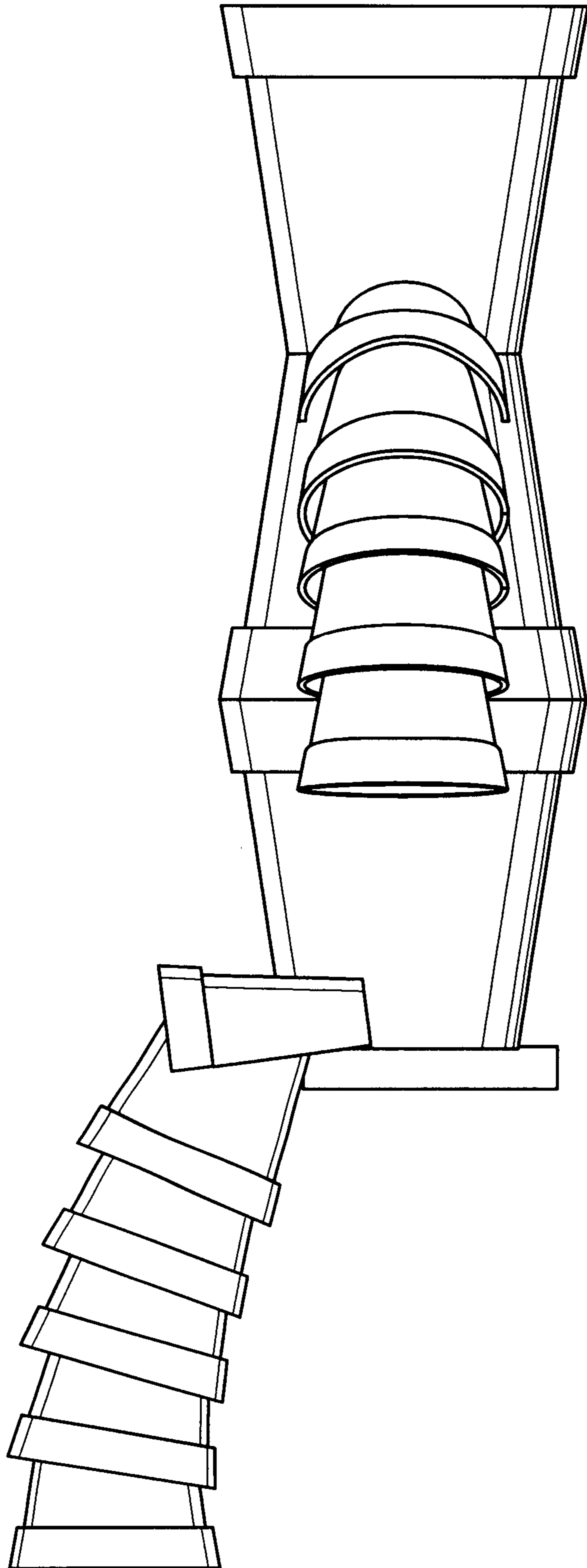


FIG. 3

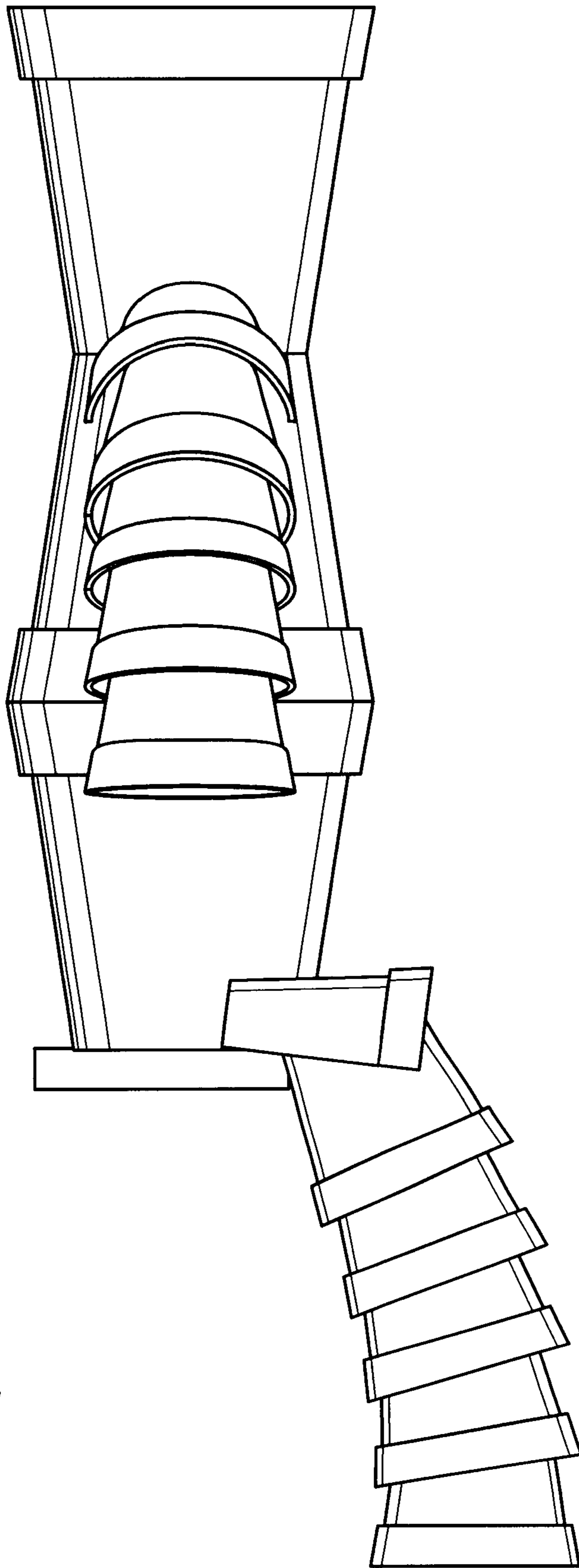


FIG. 4

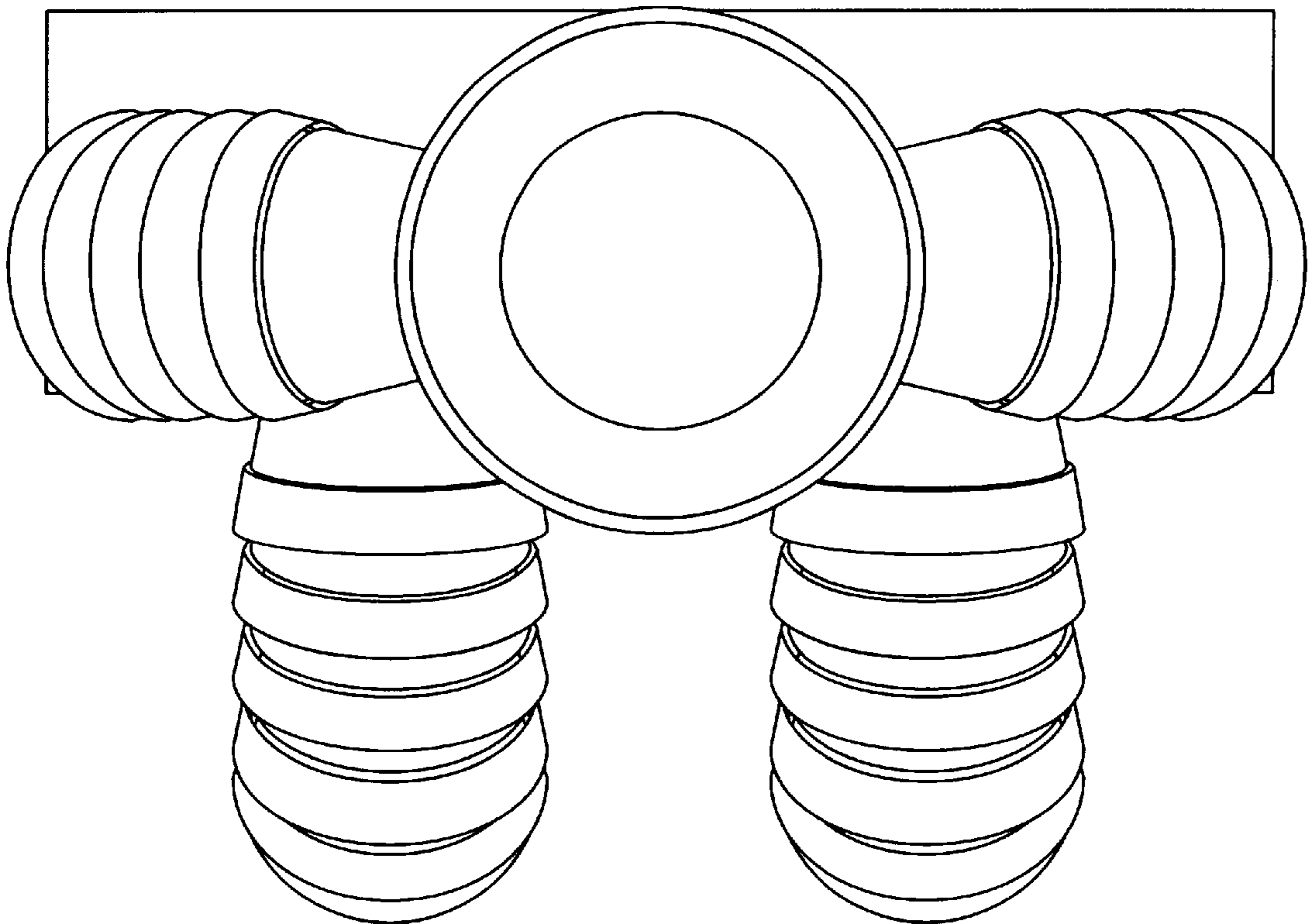


FIG. 5

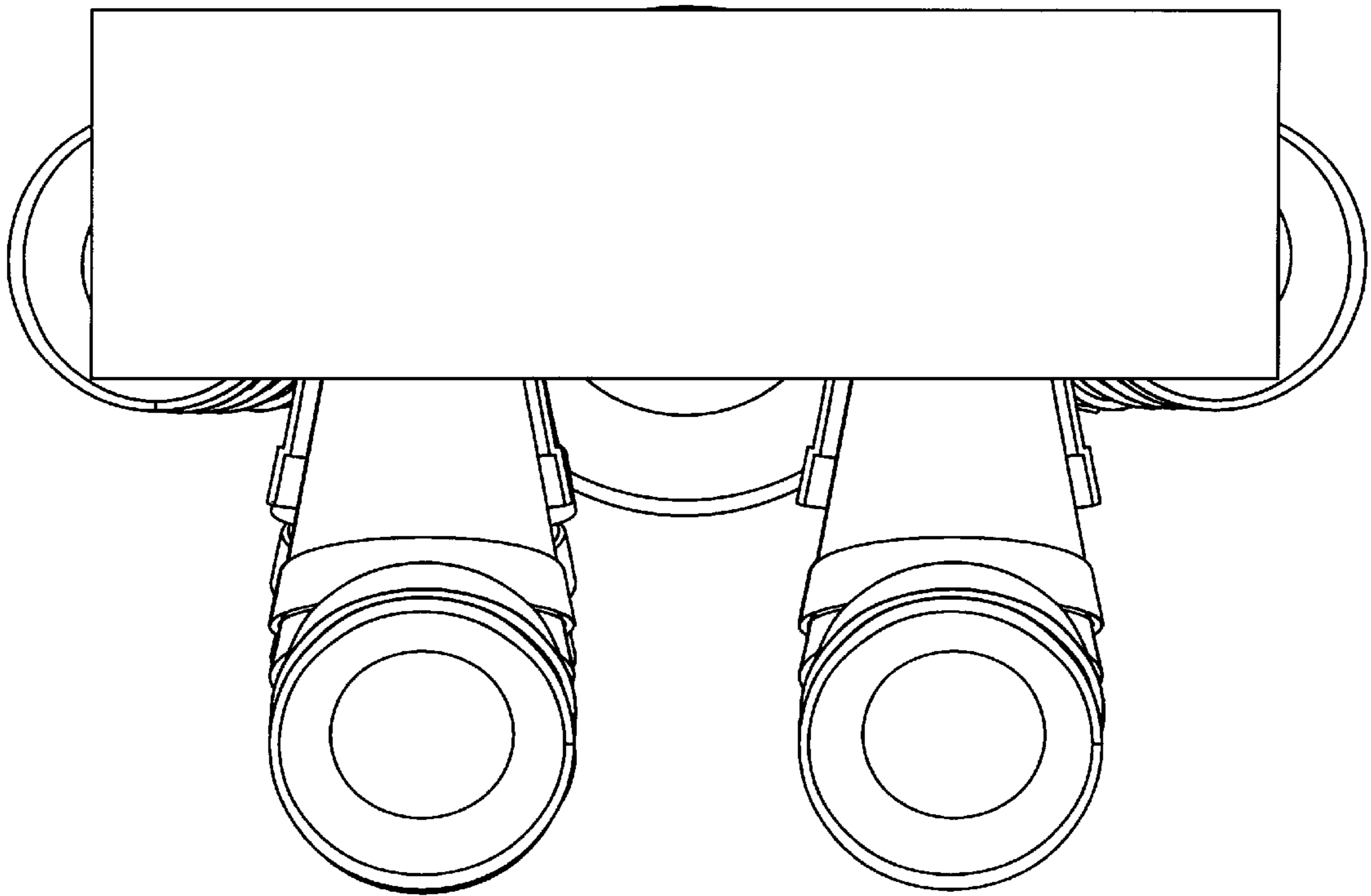


FIG. 6