



US00D454810S

(12) **United States Design Patent**
Knee

(10) **Patent No.:** **US D454,810 S**

(45) **Date of Patent:** **** Mar. 26, 2002**

(54) **ELECTRONIC STOPLIGHT SHAPED EARRING**

(76) **Inventor:** **Lynn Knee**, 1732 Guadalupe Ave., San Jose, CA (US) 95125

(**) **Term:** **14 Years**

(21) **Appl. No.:** **29/138,208**

(22) **Filed:** **Mar. 8, 2001**

(51) **LOC (7) Cl.** **11-01**

(52) **U.S. Cl.** **D11/44**

(58) **Field of Search** D11/40, 41, 42, D11/43, 44, 45-79, 88, 121; D26/25; 362/104, 800, 806, 811; 63/11, 12, 13, 18-19, 20-21, 26-28, 38

(56) **References Cited**

U.S. PATENT DOCUMENTS

D130,468 S	*	11/1941	Darvie	D11/71
D147,142 S	*	7/1947	Paschman	D11/71
2,427,257 A	*	9/1947	Campbell	63/20
4,184,344 A	*	1/1980	Pepin	63/31
D333,279 S	*	2/1993	Fryklund	D11/43
D416,509 S	*	11/1999	O'Meara	D11/71

* cited by examiner

Primary Examiner—Louis S. Zarfes
Assistant Examiner—Barbara Wyatt Crawford
(74) *Attorney, Agent, or Firm*—Gregory Smith & Associates

(57) **CLAIM**

We claim, the ornamental design for an electronic stoplight shaped earring, as shown and described.

DESCRIPTION

FIG. 1 is a perspective view of an illuminated electronic stoplight shaped earring showing my new design.

FIG. 2 is a front view of the illuminated electronic stoplight shaped earring.

FIG. 3 is a back view of the illuminated electronic stoplight shaped earring.

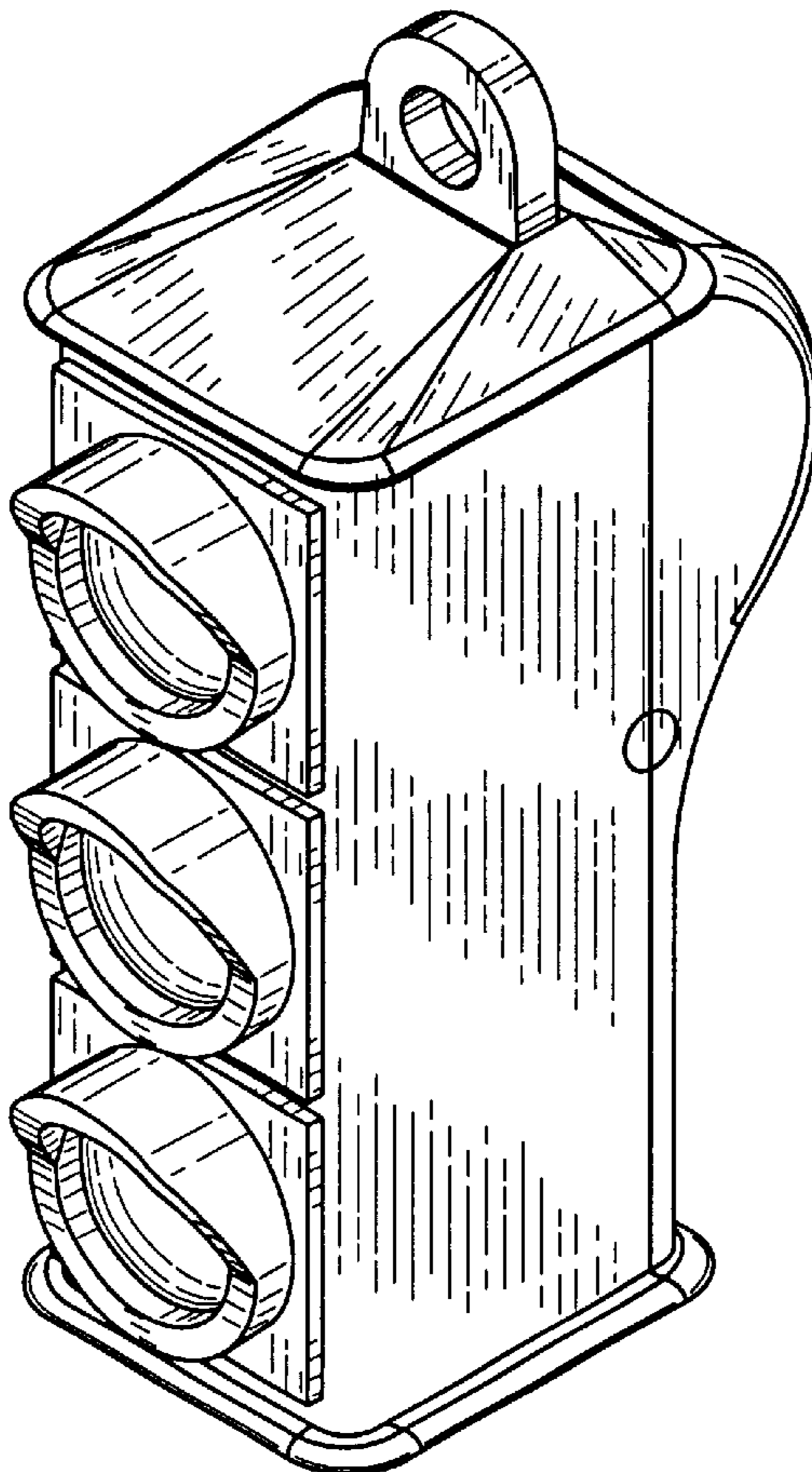
FIG. 4 is a top view of the illuminated electronic stoplight shaped earring.

FIG. 5 is a bottom view of the illuminated electronic stoplight shaped earring.

FIG. 6 is a side view of the illuminated electronic stoplight shaped earring; and,

FIG. 7 is a side view of the side opposite that shown in FIG. 6.

1 Claim, 4 Drawing Sheets



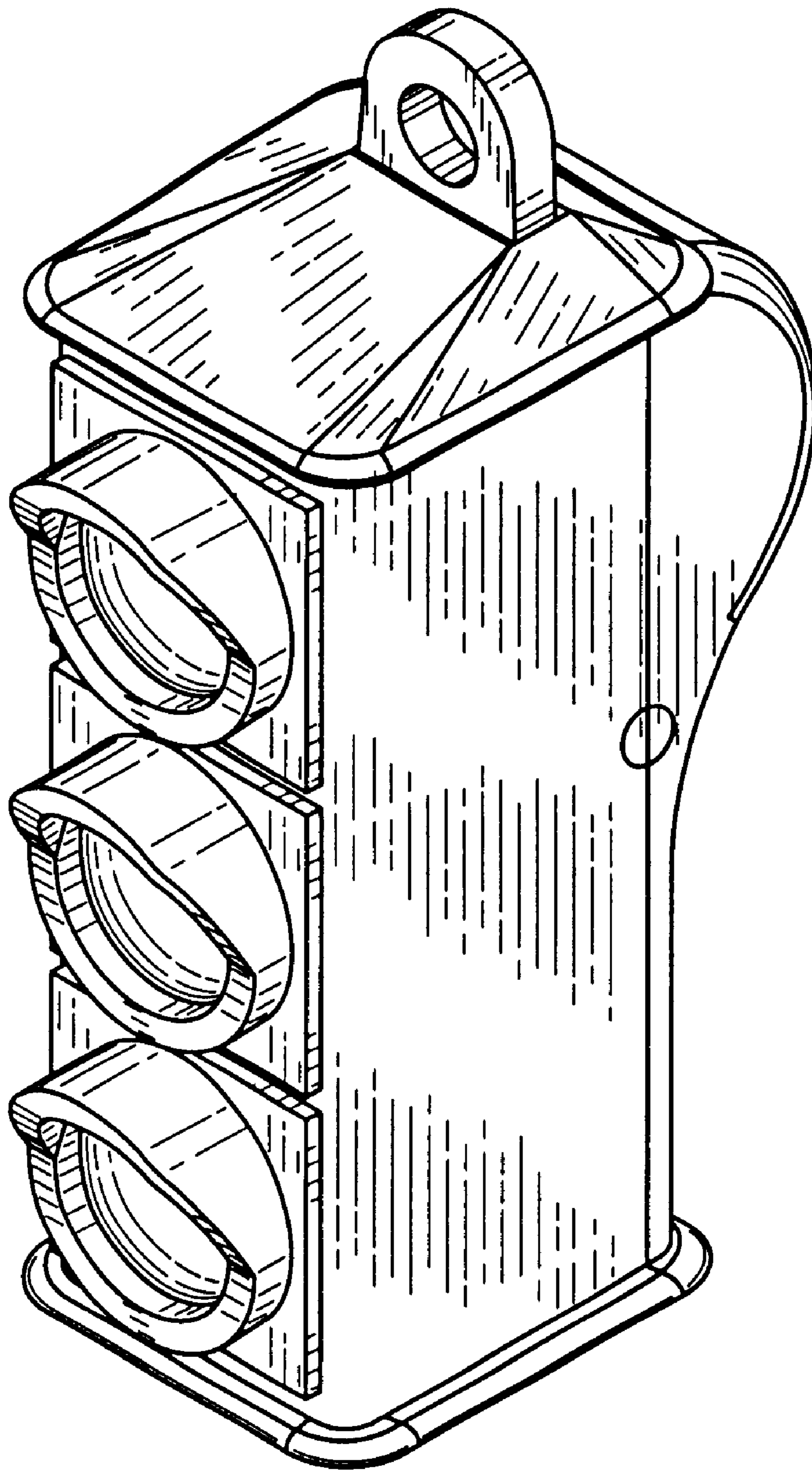


FIG. 1

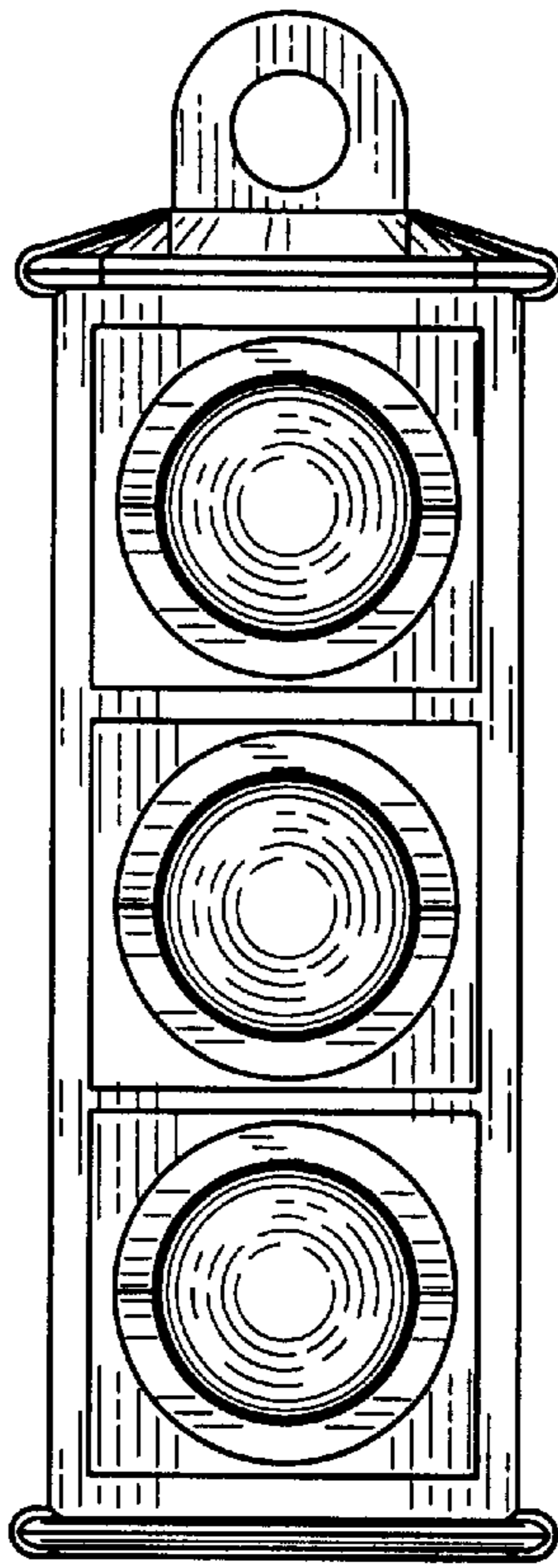


FIG. 2

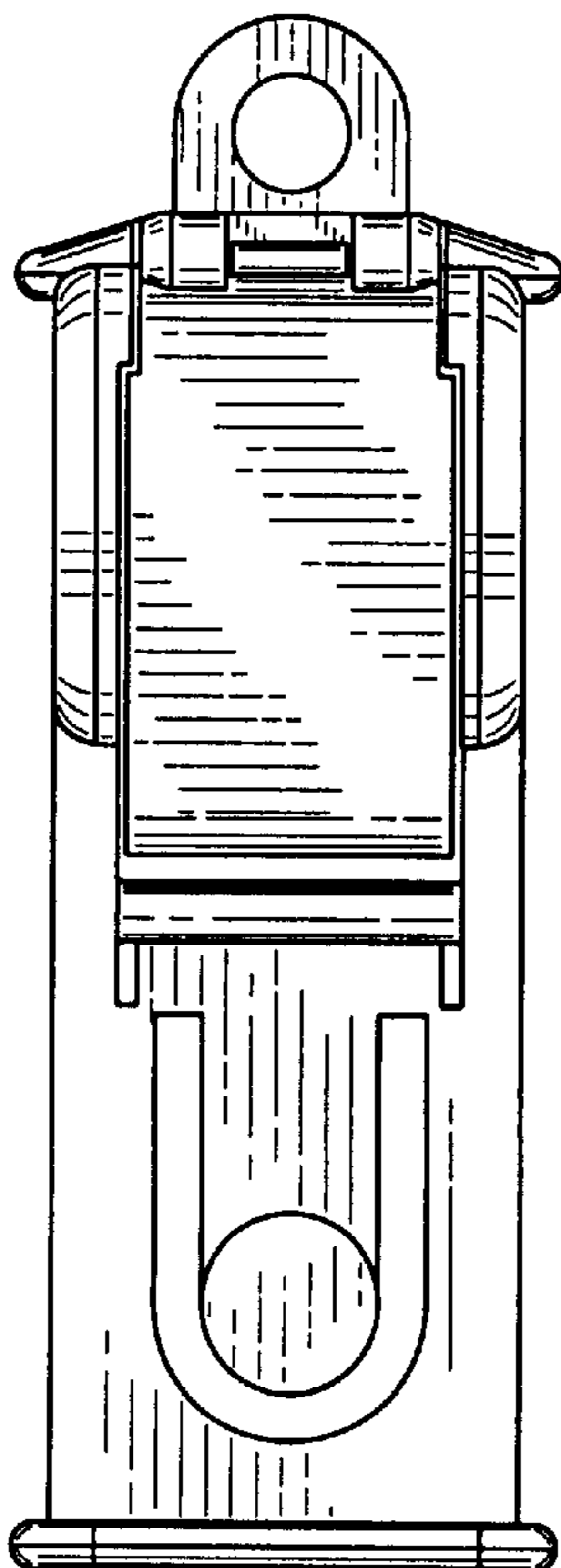


FIG. 3

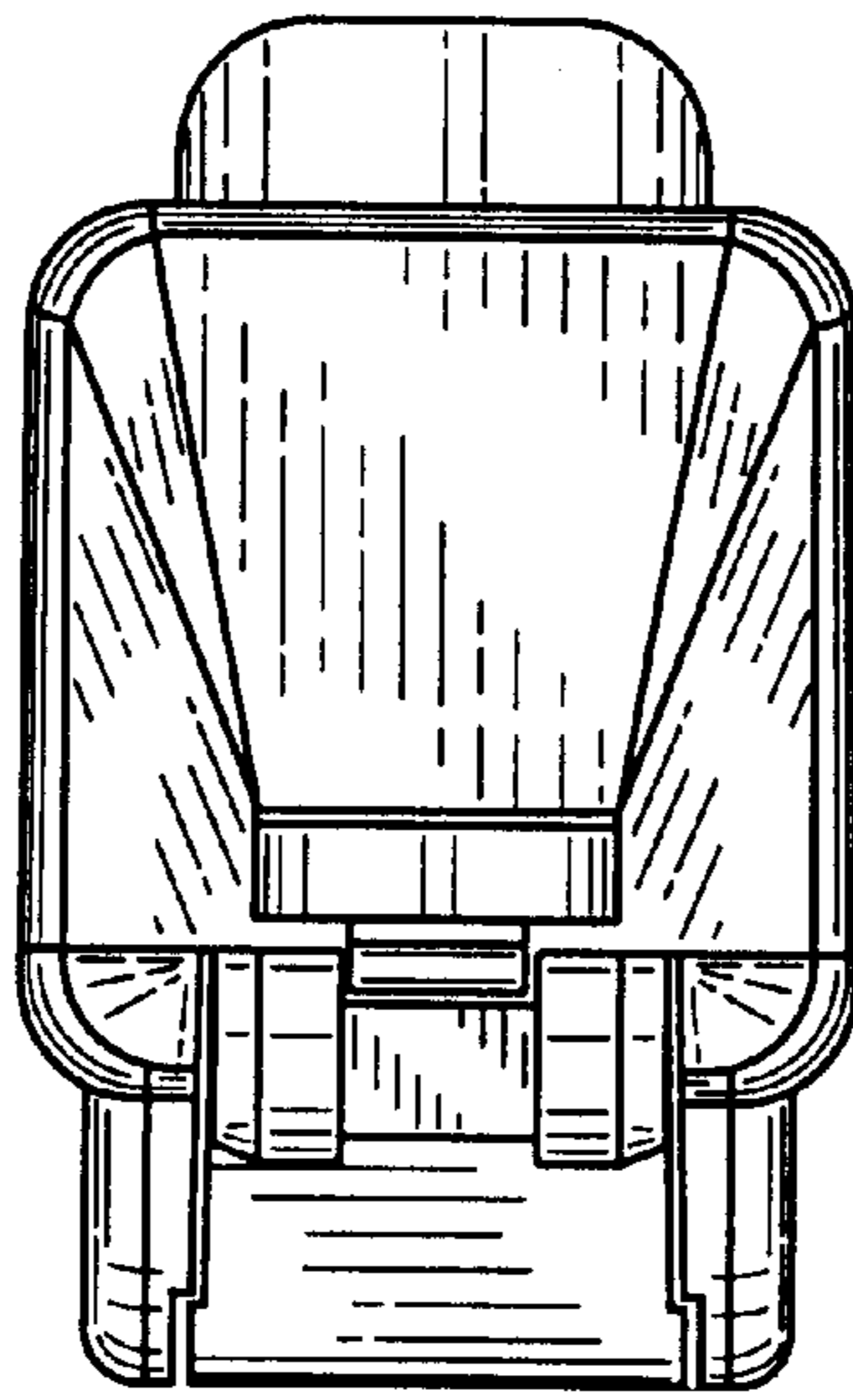


FIG. 4

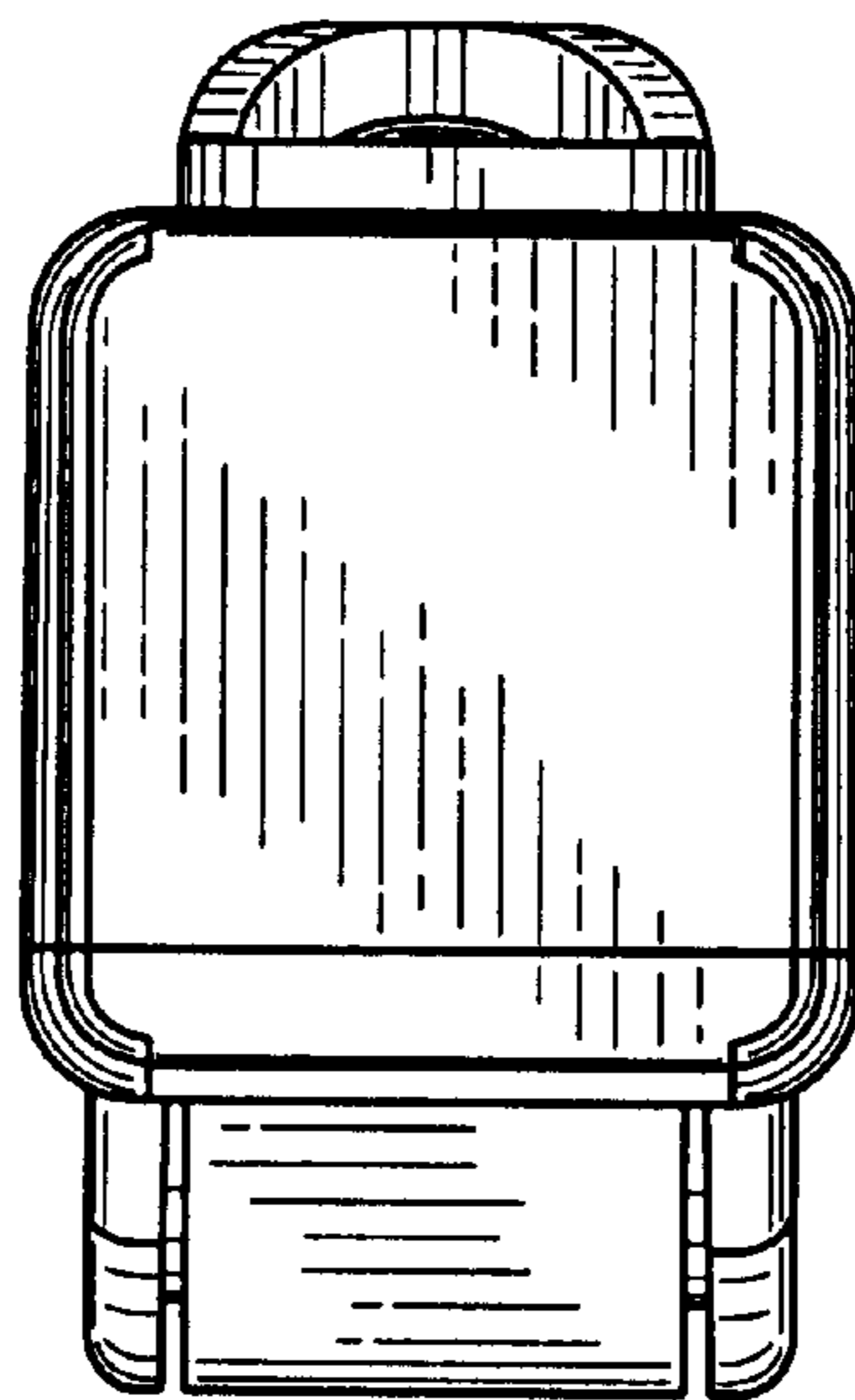


FIG. 5

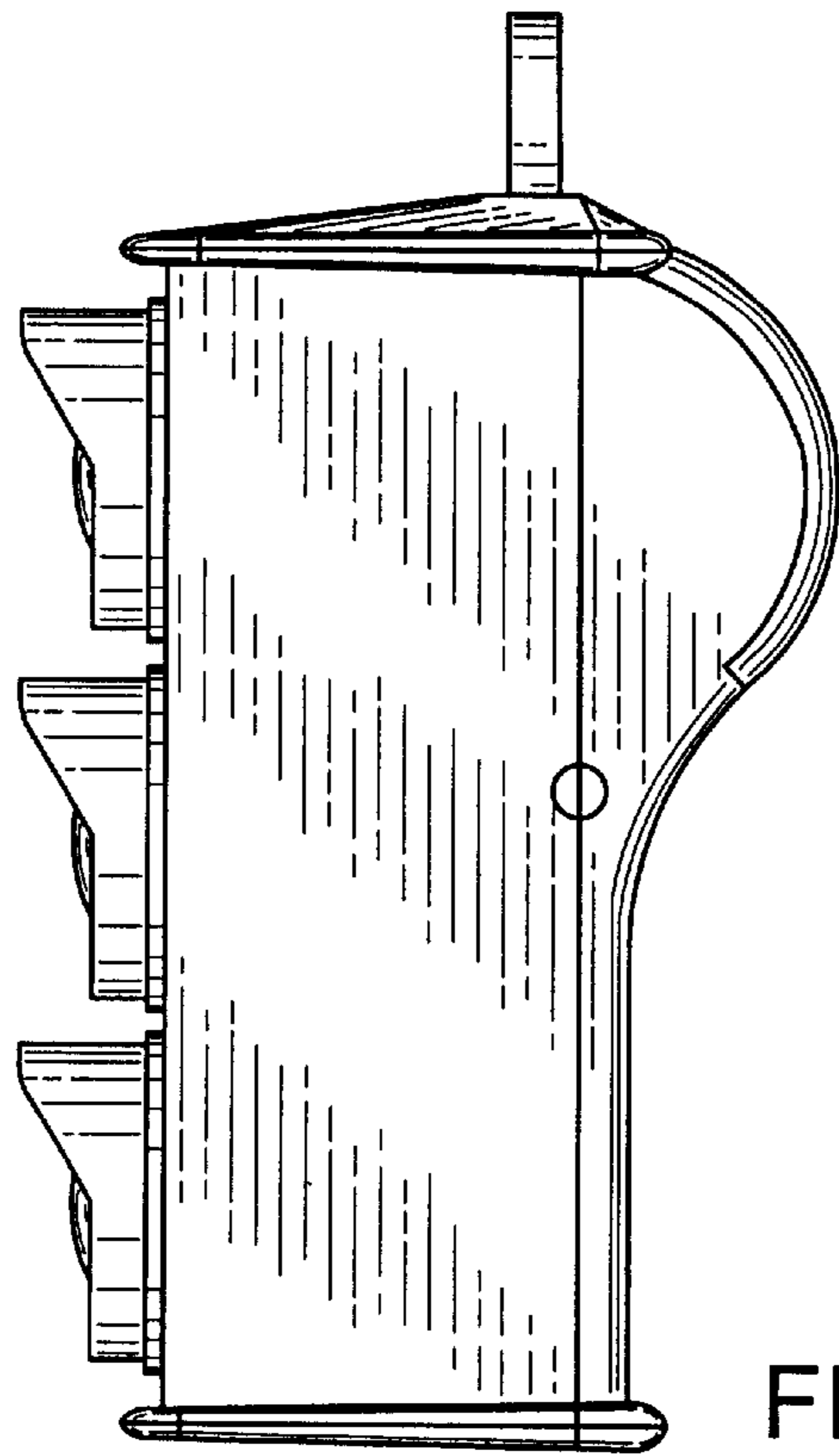


FIG. 6

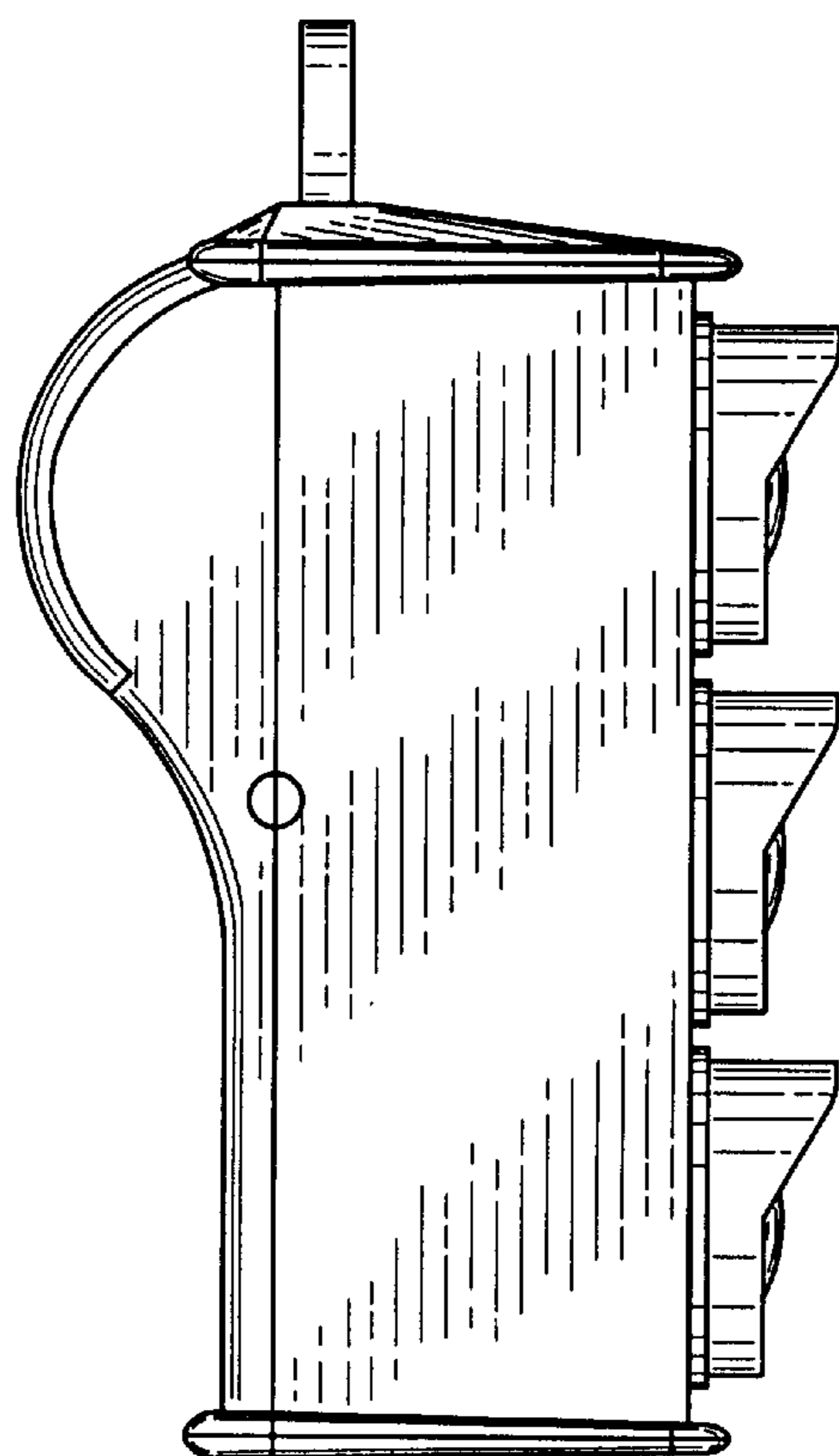


FIG. 7